

Stamped contacts Crimp male contacts diameter 1,6 mm for wire gauge AWG 26 - 20 silver plated

Part No. VN01 016 0003 1

Series Contacts

Subseries Contact Stamped contacts



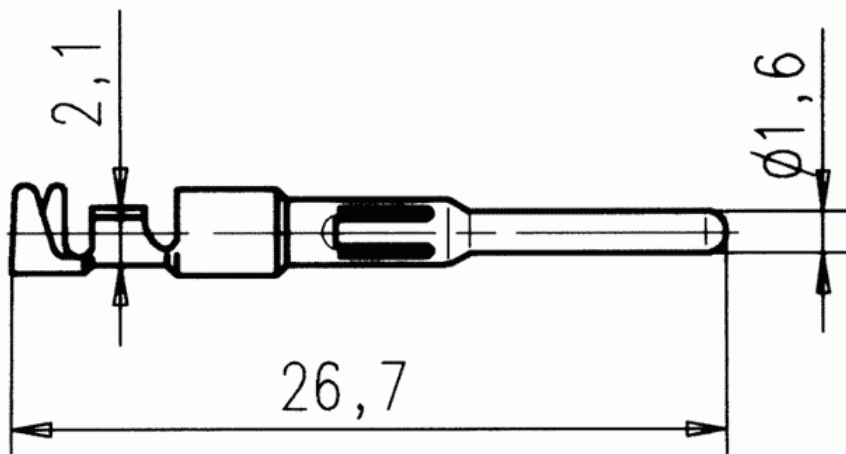
COMMON CHARACTERISTICS		
Contact diameter		1,6 mm
Insulation diameter		1,0 - 2,0 mm
Wire gauge from		0,14
Wire gauge to		0,5
Wire gauge (AWG) from		26
Wire gauge (AWG) to		20
Packaging / supplied as		Single contact
No. of pieces		100
Sex of Contact		Pin
Type of contact		Stamped/rolled crimp contact
ELECTRICAL CHARACTERISTICS		
Contact resistance	DIN EN 60512-2-1, Test 2a / IEC 60512-2-1, Test 2a	< 5 m

Stamped contacts Crimp male contacts diameter 1,6 mm for wire gauge AWG 26 - 20 silver plated

Part No. VN01 016 0003 1

Series Contacts

Subseries Contact Stamped contacts



Drawing Dimensions in mm (Inch)

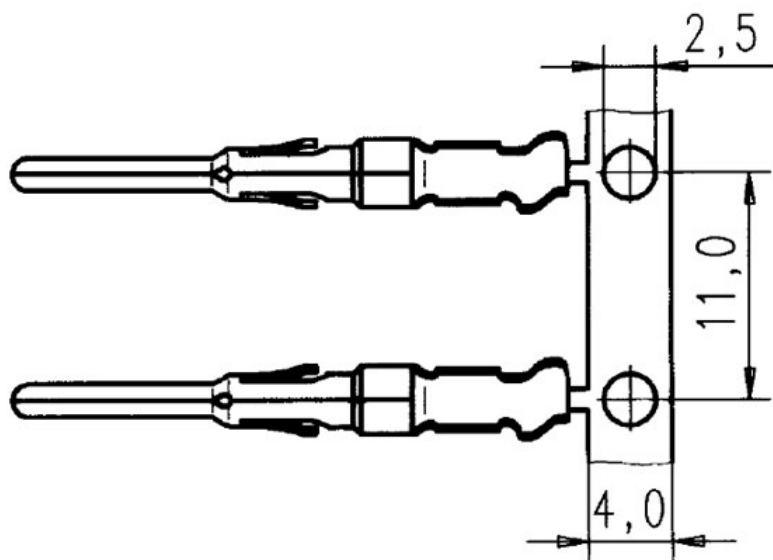
31.07.2007

Stamped contacts Crimp male contacts diameter 1,6 mm for wire gauge AWG 26 - 20 silver plated

Part No. VN01 016 0003 1

Series Contacts

Subseries Contact Stamped contacts



Contact arrangement