

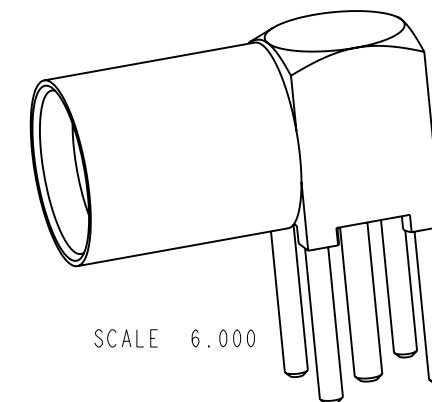
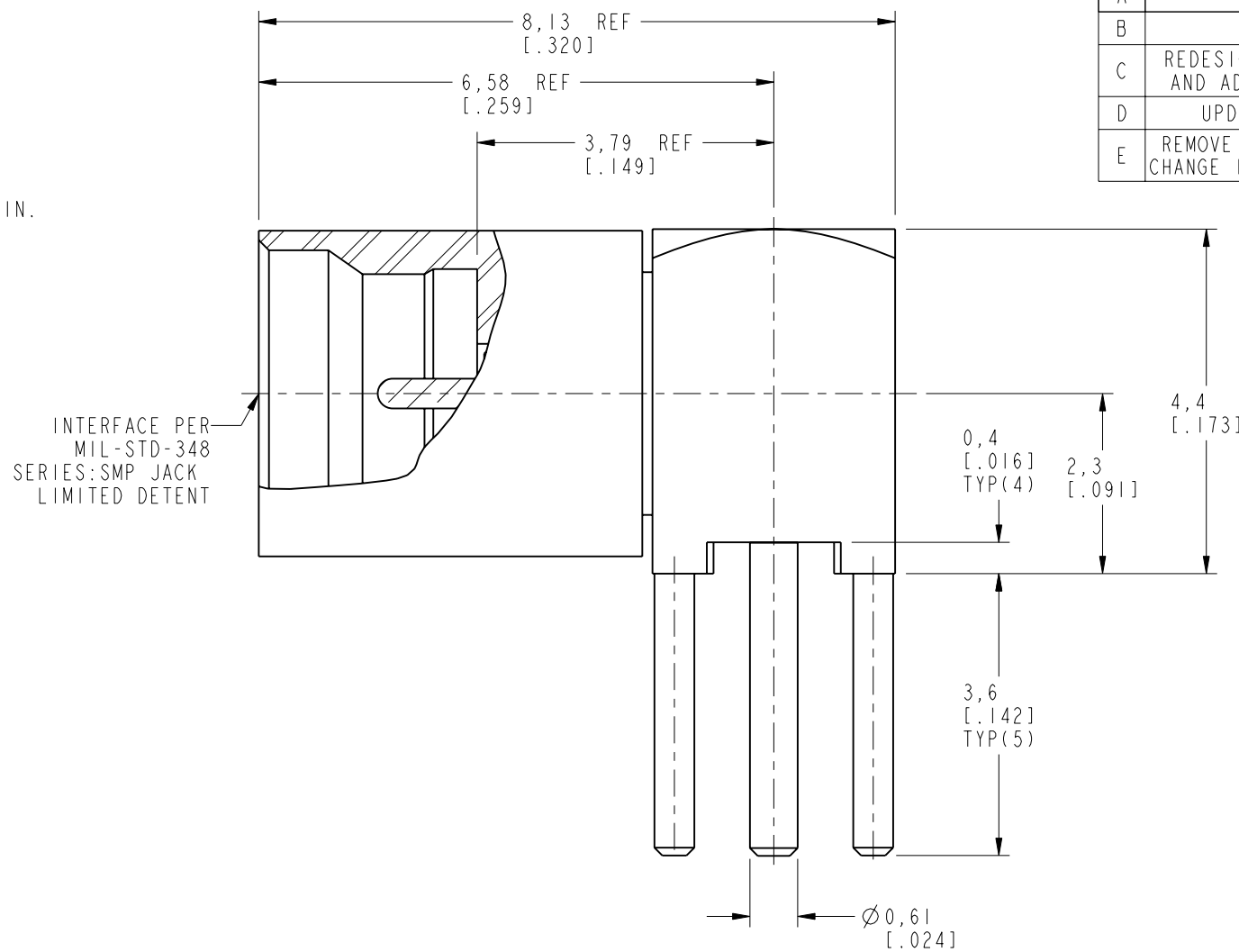
NOTES:

1. MATERIALS AND FINISHES:
 - BODY - STAINLESS STEEL, PASSIVATED
 - HOUSING - BRASS, GOLD PLATING
 - CONTACT - BeCu, GOLD PLATING
 - INSULATOR - PTFE
2. ELECTRICAL:
 - A. IMPEDANCE : 50 OHM
 - B. FREQUENCY RANGE : DC - 12 GHz
 - C. VSWR : 1.25 MAX.
 - D. DIELECTRIC WITHSTANDING VOLTAGE : 500 VRMS, MIN.
3. MECHANICAL:
 - A. DURABILITY : 500 CYCLES MIN.
 - B. TEMPERATURE RANGE : -65° C TO +165° C
4. PACKAGING:
 - A. QUANTITY: SINGLE PACK
 - B. MARKING: BAG TO BE MARKED
"AMPHENOL RF, SMP-MSLD-PCT-6, AND DATE CODE"

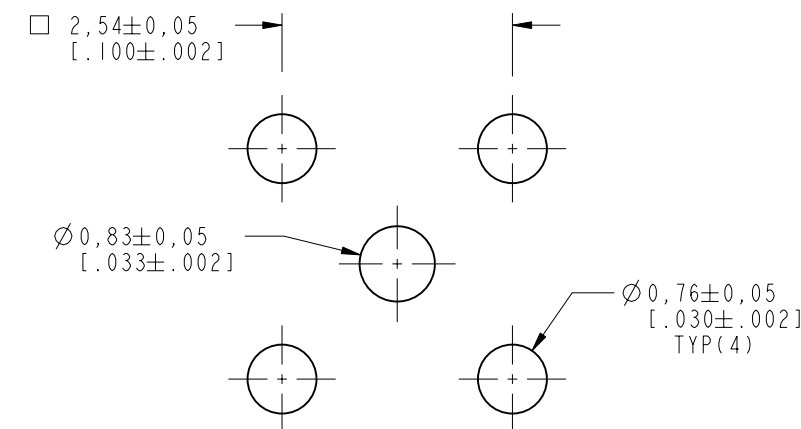
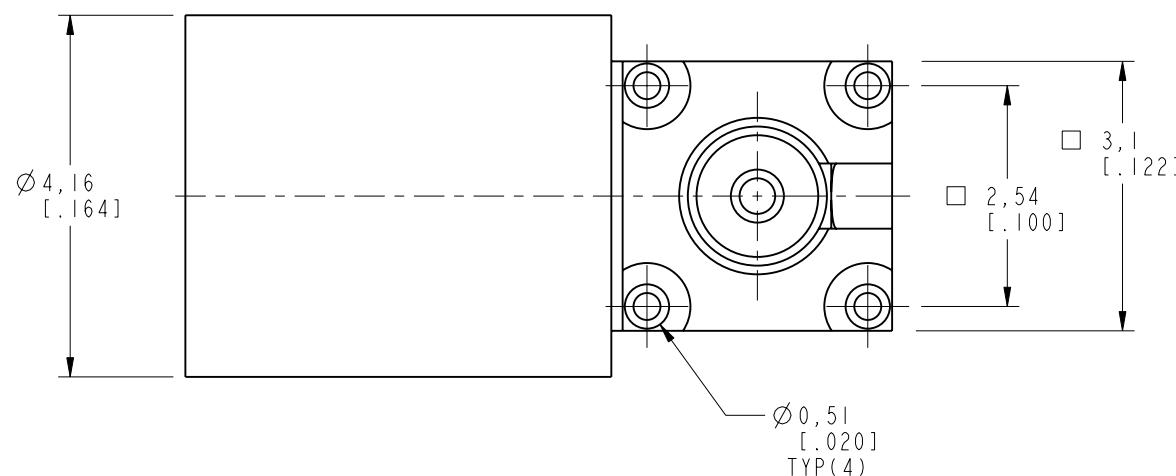
THIRD ANGLE PROJ.

REVISIONS

REV	DESCRIPTION	DATE	ECO	APPR
A	RELEASE TO MFG.	05-Nov-10'	--	BZ
B	SYNC ARFA AND DANBURY DRAWING	08-Jun-11'	48632	SCOTT
C	REDESIGN TO PREVENT RING BURR AND INTERNAL CHIPS AND ADDED CHAMFER ON HOUSING / RD-DMI3011501J6	11-Dec-12	49029	MJN
D	UPDATED NOTE 4: PACKAGING\RD-DMI3112001R3	03-Dec-13	49440	MJD
E	REMOVE SPECIAL HARRIS LABEL FROM THE DRAWING AND CHANGE IT TO OUR STANDARD LABELING.\RD-DMI5010701R3	21-Jan-15	50188	RM



SCALE 6.000



RECOMMENDED MOUNTING HOLE DIMENSION

CUSTOMER OUTLINE DRAWING

ALL OTHER SHEETS ARE FOR INTERNAL USE ONLY

UNLESS OTHERWISE SPECIFIED, DIMENSIONS ARE IN METRIC AND TOLERANCES ARE:
 <0.5mm ±0.05mm 0.5 - 6mm ±0.1mm 6 - 30mm ±0.2mm 30 - 120mm ±0.3mm ANGLES ±1°

NOTICE - These drawings, specifications, or other data (1) are, and remain the property of Amphenol corp. (2) must be returned upon request; and (3) are confidential and not to be disclosed to any person other than those to whom they are given by Amphenol Corp. the furnishing of these drawings, specifications, or other data by Amphenol Corp., or to any other person to anyone for any purpose is not to be regarded by implication or otherwise in any manner licensing, granting rights to permitting such holder or any other person to manufacture, use or sell any product, process or design, patented or otherwise, that may in any way be related to or disclosed by said drawings, specifications, or other data.

MATERIAL	SEE NOTES
REFERENCE	EAR # 3786
CONFIGURATION LEVEL:	□□□□
FINISH	

DRAWN	R. MAO	DATE	28-Nov-13
ENGINEER	R. MAO	DATE	21-Jan-15
APPROVED	S. HSIEH	DATE	21-Jan-15
CAD FILE			

TITLE		SMP JACK R/A LIMITED DETENT PCB MOUNT	
SCALE:	11.5:1.0	SHEET	2 OF 2
DWG SIZE	B	REV	E

Amphenol RF	
www.amphenolrf.com	
DRAWING NO.	SMP-MSLD-PCT-6
ITEM NO.	SMP-MSLD-PCT-6
PART NO.	SMP-MSLD-PCT-6