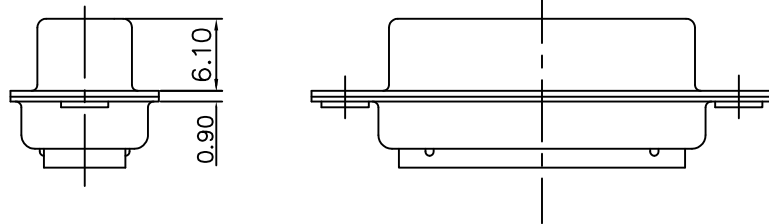
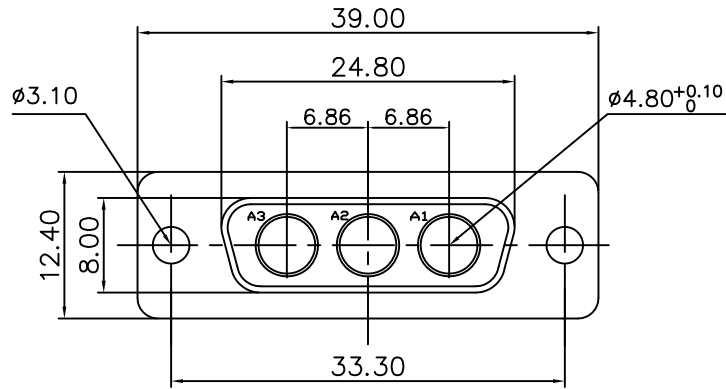


This document is the property of Amphenol Corporation and is delivered on the express condition that it is not to be disclosed, reproduced or used, in whole or in part, for manufacture or sale by anyone other than Amphenol Corporation without its prior consent, & that no right is granted to disclose or to use any information in this document.



Customer drawing

REVISIONS				
SYM	ECN	DESCRIPTION	DATE	APPROVED
1	HK--	First Release Drawing	12/11/07	IP
2	HK--	Add the hole diameter	10/06/14	IP

**D-SUB TECHNICAL DATA**

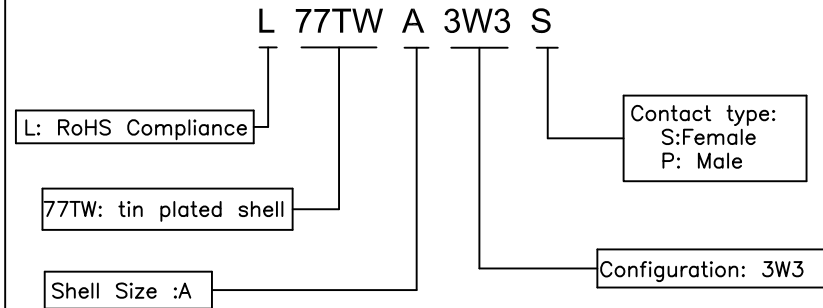
SHELL : Steel 2.5um(100u") min tin over 1.25um(50u") min nickel  
 BODY : Glass filled thermoplastic.  
 Flame retarding to UL94 V-0 Color Black

ELECTRICAL : Voltage rating 300 V RMS at 50 Hz  
 Withstanding Voltage >1000 V RMS at 50 Hz for one minute  
 Insulation resistance >5000 M Ohms

CLIMATIC : Temperature range -55 °C up to +155°C  
 Damp heat 56 days(40 °C-95% HR)

MARKING : Amphenol...(Series No.)  
 Commercial reference  
 Manufacturing date

**PRODUCT CODE**



UNLESS OTHERWISE SPECIFIED <b>TOLERANCES</b> U.S. METRIC .X +/- 0.50 .XX +/- 0.30 .XXX +/- 0.20 FRACTIONS +/- ANGLES +/- 5°	APPROVAL		DATE
	DRAWN	Felix Liu	10/06/14
	CHECKED	Tony Tang	10/06/14
	CHECKED		
FOR MATERIALS AND FINISHES SEE NOTES			
DRAWING FILE :			
REMOVE SHARP EDGES		ANGLE OF PROJECTION	
DIMENSIONS			
U.S. INCHES			
METRIC MM			

Amphenol	
Amphenol East Asia Limited	
TITLE Hybrid connector, TW series	
SIZE	DRAWING NO.
A4	L77TWA3W3S
SCALE	NONE
SHEET	1 OF 1
REV.	2