

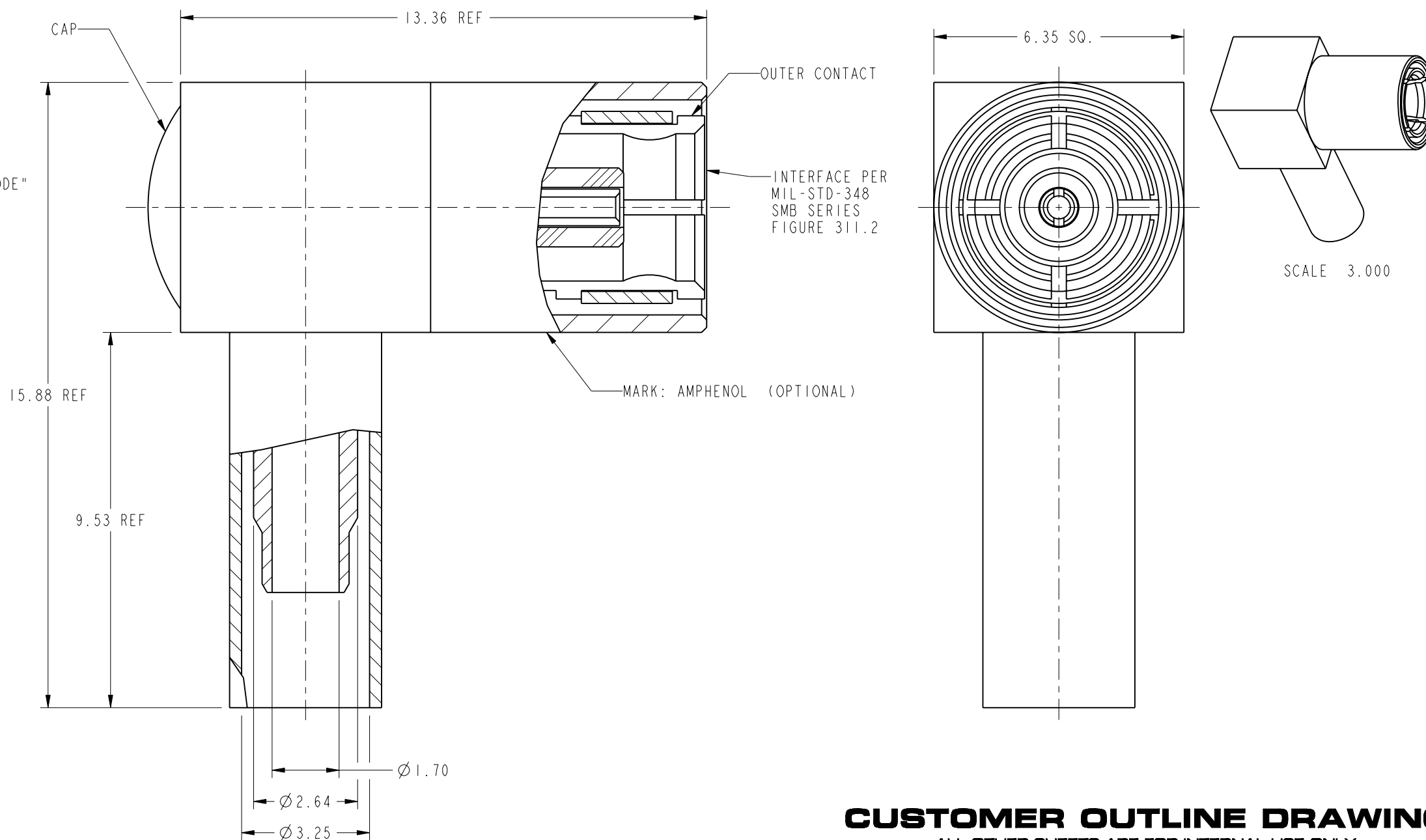
NOTES:

1. MATERIALS AND FINISHES:  
 BODY, HOOD - BRASS, GOLD PLATING  
 OUTER CONTACT & CAP - BRASS, GOLD PLATING  
 CONTACT PIN - BeCu, GOLD PLATING  
 RETAINING RING - BeCu, NICKEL PLATING  
 INSULATOR - PTFE, NATURAL  
 FERRULE - COPPER, GOLD PLATING
2. ELECTRICAL:  
 A. IMPEDANCE: 50 OHM  
 B. DIELECTRIC WITHSTANDING VOLTAGE: 1000 VRMS, MIN.
3. MECHANICAL:  
 A. DURABILITY: 500 CYCLES MIN.  
 B. TEMPERATURE RANGE: -65° C TO +165° C
4. CRIMPED FERRULE  
 HEX CRIMP SIZE 0.128"
5. CONTACT PIN TO SOLDER
6. PACKAGING:  
 A. PACKAGE CONNECTOR AS PER ROUTING INSTRUCTIONS.  
 B. MARK BAG OR TAG "AMPHENOL RF 903-289P-51A AND DATE CODE"

THIRD ANGLE PROJ.

REVISIONS

REV	DESCRIPTION	DATE	ECO	APPR
A	RELEASE TO MFG.	6/20/84	30168	MM/SP
H	SEE SHEET I	3/22/95	40549	PB
J	SEE SHEET I	2/12/04	44801	CPM/KC
K	SEE SHEET I	28-Nov-07	44820	SH
L	INSULATOR WAS CHANGED\RD-DM0806040IS1	13-Jun-08	--	SH
M	CAP WAS CHANGED, BODY WAS CHANGED\RD-DMI103010IT1	15-Mar-11	48113	SH
N	PLATING NOTES UPDATED	26-Mar-14	49892	RAK
P	UPDATED PLATING CODES \RD-DMI1512210IS2	31-Dec-15	50808	MJD



**CUSTOMER OUTLINE DRAWING**  
 ALL OTHER SHEETS ARE FOR INTERNAL USE ONLY

UNLESS OTHERWISE SPECIFIED, DIMENSIONS ARE IN METRIC AND TOLERANCES ARE: <0.5mm ±0.05mm    0.5 - 6mm ±0.1mm    6 - 30mm ±0.2mm    30 - 120mm ±0.3mm    ANGLES ±1°	MATERIAL	DRAWN	DATE	TITLE <b>SMB RIGHT ANGLE PLUG FOR RG-316/U</b>		<b>Amphenol RF</b> Danbury CT USA, Tainan, Taiwan, Shenzhen, China <a href="http://www.amphenolrf.com">www.amphenolrf.com</a>	
	SEE NOTES	S. DUAN	31-Dec-15				
NOTICE - These drawings, specifications, or other data (1) are, and remain the property of Amphenol corp. (2) must be returned upon request; and (3) are confidential and not to be disclosed to any person other than those to whom they are given by Amphenol Corp. the furnishing of these drawings, specifications, or other data by Amphenol Corp., or to any other person to anyone for any purpose is not to be regarded by implication or otherwise in any manner licensing, granting rights to permitting such holder or any other person to manufacture, use or sell any product, process or design, patented or otherwise, that may in any way be related to or disclosed by said drawings, specifications, or other data.	REFERENCE	ENGINEER	DATE	SCALE: 8.0:1.0		SHEET 2 OF 2	
	CONFIGURATION LEVEL:	S. HSIEH	K. CAPOZZI	08-Mar-02	DWG SIZE B		REV P
	FINISH	APPROVED	DATE	04-Jan-16			DRAWING NO. 903-289P-51A
		CAD FILE				ITEM NO. 903-289P-51A	
						PART NO. 903-289P-51A	