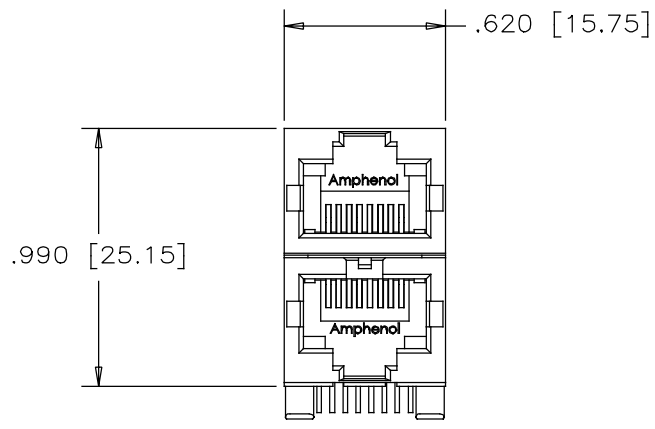
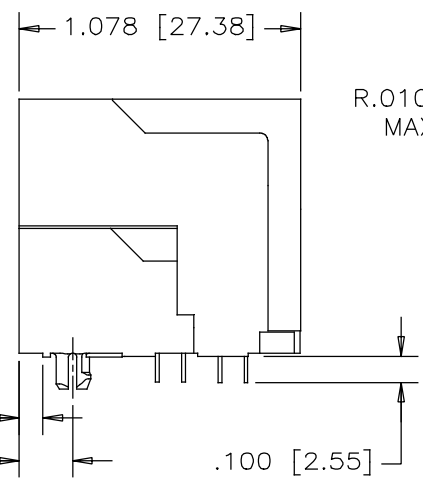


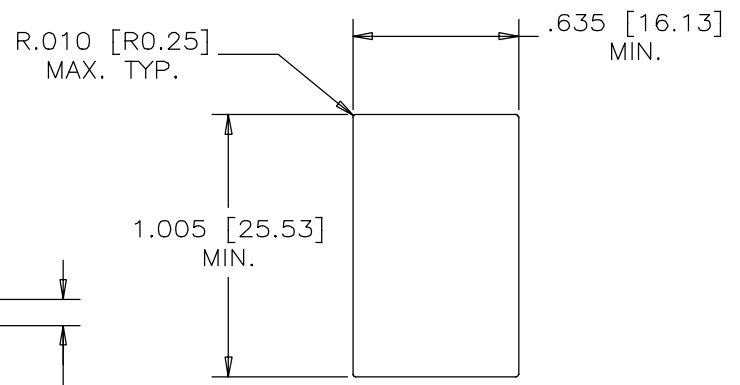
REVISIONS				
SYM	ZONE	ECN, ERN NO.	DATE	APPRD.
A		PROPOSAL	APR.01/13	



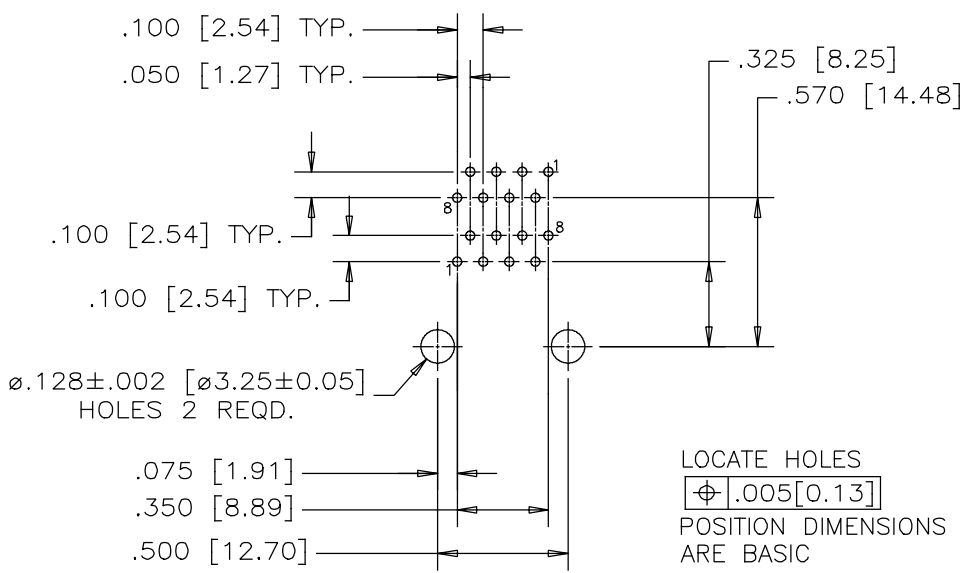
FRONT VIEW



SIDE VIEW



RECOMMENDED PANEL CUTOUT



RECOMMENDED PCB LAYOUT  
(COMPONENT SIDE OF BOARD)



**MATERIALS:**

HOUSING: ENGINEERING THERMOPLASTIC. BLACK.  
FLAMMABILITY RATING UL 94V-0

CONTACTS: PHOSPHOR BRONZE  
PLATING: 50u" [1.27 MICRONS]  
MIN. GOLD OVER MATING SURFACES.  
50u" [1.27 MICRONS]  
MIN. NICKEL UNDERPLATE.  
100u" MIN. MATTE TIN OR GOLD FLASH  
ON CONTACT AILS.

PART NUMBER: RJSAE-5080-02

DRAWN	G.HSIA	DATE	APR.01/13
DESIGNED			
CHECKED	L.CHAN	DATE	APR.01/13
I. E. APPRD.			
Q. A. APPRD.			
DWG. APPRD.			
ENG. REL. NO.			
REF.			
DIMENSIONS ARE IN	CODE ID. NO.		
INCHES [mm]	03554		

Amphenol Canada Corp.			
TITLE 2x1 STACKABLE MODULAR JACK 8 POSITION, 8 CONTACTS, 2-PIECE CONSTRUCTION, WITHOUT SHIELD, WITH LED OPTIONS - RoHS COMPLIANT			
DWG	DRAWING NO.	REV.	
	P-RJSAE-5080-02	A	
SCALE	WT. -----	SURF. -----	SHEET 1 OF 1

THIS DOCUMENT CONTAINS PROPRIETARY INFORMATION AND SUCH INFORMATION MAY NOT BE DISCLOSED TO OTHERS FOR ANY PURPOSE OR USED FOR MANUFACTURING PURPOSES WITHOUT WRITTEN PERMISSION FROM AMPHENOL CANADA CORP.