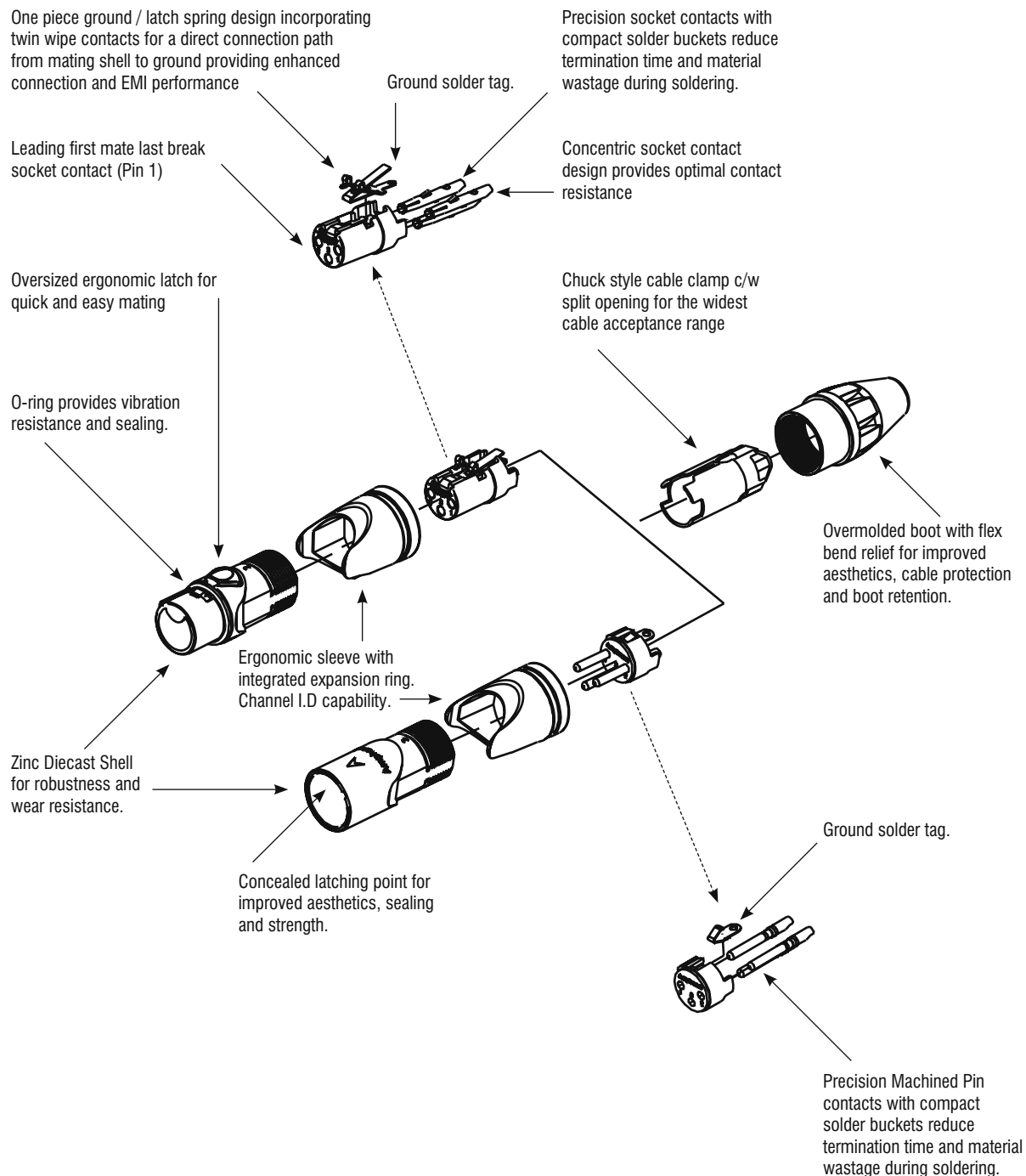




ISO VIEW OF AX SERIES XLR CABLE CONNECTOR





The revolutionary AX series of XLR connectors introduce an exciting contemporary look and feel to the professional audio interconnect market. They are designed to complement modern audio architecture and truly "fit" within their environment. An impressive list of features guarantees pure sound performance in the most demanding applications providing unrivalled value.

Features

- Unique Australian designed shell and housing.
- One piece ground / latch spring design incorporating twin wipe contacts for a direct connection path from mating shell to ground providing enhanced connection and EMI performance.
- Ergonomic sleeve design for improved grip.
- Channel I.D capability with coloured sleeves.
- Oversized ergonomic latch for quick and easy mating.
- Leading first mate last break pin 1 on socket connectors.
- Chuck style cable clamp to suit 3mm - 8mm (0.118" - 0.314") cable O.D. with integrated split to allow inclusion after soldering.
- Concealed latching point for improved aesthetics, sealing and strength.
- Overmolded boot with flex bend relief for improved aesthetics, cable protection and boot retention.
- Concentric socket contact design provides optimal contact resistance
- Precision machined pin contacts as standard.
- Compact solder buckets to reduce termination time and material wastage during the soldering process.
- Zinc diecast shell housing for robustness and wear with Satin nickel or Black finish.
- Available in 3,4 and 5 contact arrangements.

Options

- Coloured I.D sleeves.
- Satin nickel or Black shell finish.
- Single or Bulk packaging.
- Gold plated contacts.

Ordering Codes

We have listed the more common ordering codes in each section. For further options please refer to the part number breakdown charts. Please contact us if you need any further assistance.

AX SERIES XLR CABLE CONNECTORS



Simple steps to guide you in using this catalogue

- 1) Identify the product group listed in Contents on page 1 and go directly to that page number.
- 2) Each product group cover page then details information and options available.
- 3) Refer to the product detail pages and identify the product you require pictorially.
- 4) Read the product description column for the products standard features.
- 5) Use variations column to determine your choice.
- 6) Identify part number.
- 7) In the event the particular option you require is not listed please refer to the part number breakdown page at the end of each section.
- 8) Please contact us directly if you have any further problems.



Features:

- Unique Australian designed shell and housing.
- Ergonomic stylish sleeve design for improved grip.
- Oversized latch lever preserves your thumb.
- Leading first mate last break pin 1 on socket connectors.
- Chuck style cable clamp to suit 3mm - 8mm (0.118" - 0.314") cable O.D. with integrated split to allow inclusion after soldering.
- Overmolded cable support boot.
- New socket contact design for improved contact resistance.
- Precision machined pin contacts as standard.
- Compact solder buckets to reduce soldering time and wastage.
- Zinc diecast shell housing with Satin nickel or Matt black finish.
- Available in 3,4 and 5 contact arrangements.

Options:

- Coloured I.D sleeves.
- Satin nickel or Matt black shell finish.
- Single or Bulk packaging.

Part Number Breakdown: Page 6

Specifications: Page 9

Assembly Instructions: Page 7 & 8

| PRODUCT - FIGURE | DRAWING Dimensions in mm (inches) | DESCRIPTION | VARIATIONS | PART NUMBER |
|------------------|--------------------------------------|--|---|---------------------------------|
| | | XLR 3 pole male Machined contacts Nickel Finish | Standard Gold Plated Contacts Bulk Pack | AX3M AX3M-AU AX3M BULK |
| | | XLR 3 pole male Machined contacts Black Finish | Standard Gold Plated Contacts Bulk Pack | AX3MB AX3MB-AU AX3MB BULK |
| | | XLR 3 pole female Stamped contacts Nickel Finish | Standard Gold Plated Contacts Bulk Pack | AX3F AX3F-AU AX3F BULK |
| | | XLR 3 pole female Stamped contacts Black Finish | Standard Gold Plated Contacts Bulk Pack | AX3FB AX3FB-AU AX3FB BULK |
| | | XLR 4 pole male Machined contacts Nickel Finish | Standard Gold Plated Contacts Bulk Pack | AX4M AX4M-AU AX4M BULK |

*PI538 is available for download at www.amphenolaudio.com



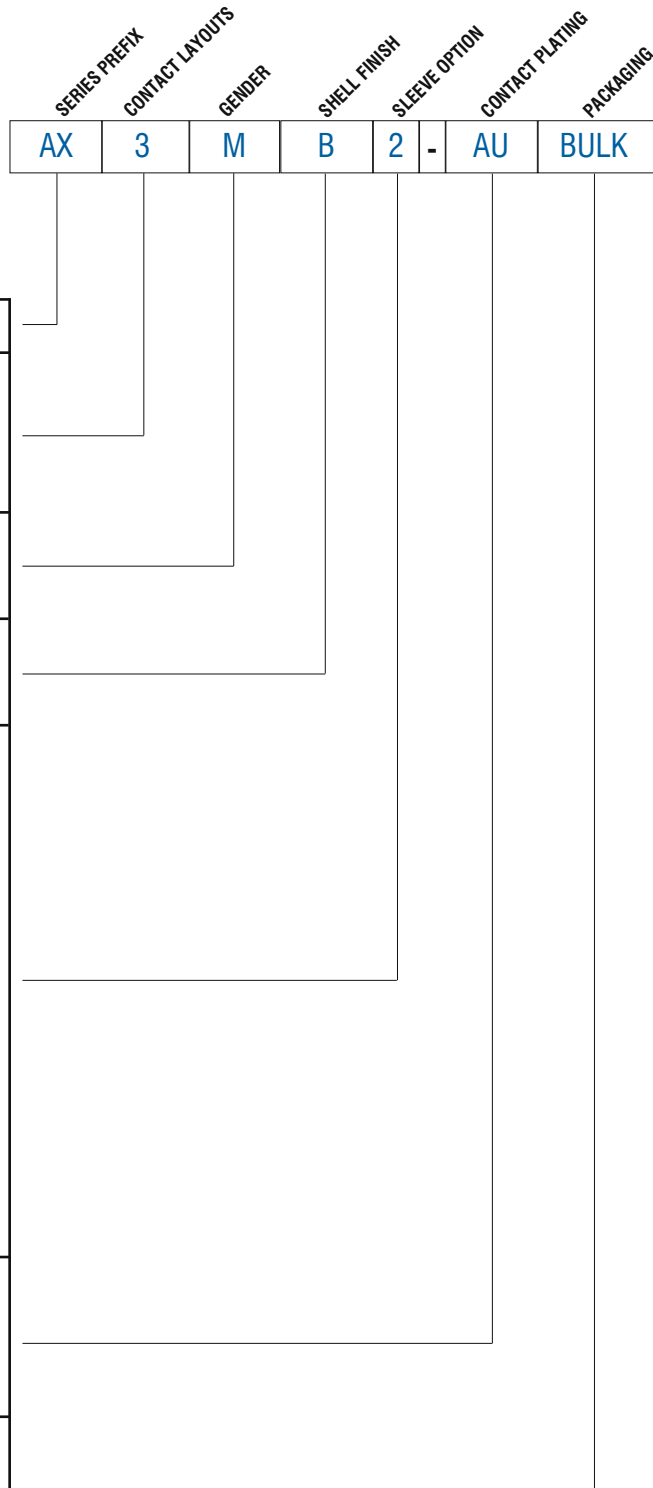
| PRODUCT - FIGURE | DRAWING Dimensions in mm (inches) | DESCRIPTION | VARIATIONS | PART NUMBER |
|------------------|--------------------------------------|---|----------------------|-------------|
| | | XLR 4 pole male Machined contacts Black Finish | Standard | AX4MB |
| | | | Gold Plated Contacts | AX4MB-AU |
| | | | Bulk Pack | AX4MB BULK |
| | | XLR 4 pole female Machined contacts Nickel Finish | Standard | AX4F |
| | | | Gold Plated Contacts | AX4F-AU |
| | | | Bulk Pack | AX4F BULK |
| | | XLR 4 pole female Machined contacts Black Finish | Standard | AX4FB |
| | | | Gold Plated Contacts | AX4FB-AU |
| | | | Bulk Pack | AX4FB BULK |
| | | XLR 5 pole male Machined contacts Nickel Finish | Standard | AX5M |
| | | | Gold Plated Contacts | AX5M-AU |
| | | | Bulk Pack | AX5M BULK |
| | | XLR 5 pole male Machined contacts Black Finish | Standard | AX5MB |
| | | | Gold Plated Contacts | AX5MB-AU |
| | | | Bulk Pack | AX5MB BULK |
| | | XLR 5 pole female Machined contacts Nickel Finish | Standard | AX5F |
| | | | Gold Plated Contacts | AX5F-AU |
| | | | Bulk Pack | AX5F BULK |
| | | XLR 5 pole female Machined contacts Black Finish | Standard | AX5FB |
| | | | Gold Plated Contacts | AX5FB-AU |
| | | | Bulk Pack | AX5FB BULK |



PART NUMBER BREAKDOWN

METAL SHELL TYPE - SOLDER

E. G. **AX3MB2-AU BULK**
AX (Series Prefix), **3** contacts, **M**ale, **B**lack Finish,
2 (Red Sleeve)- **AU** (Gold Plated Contacts), **BULK** Packaged.

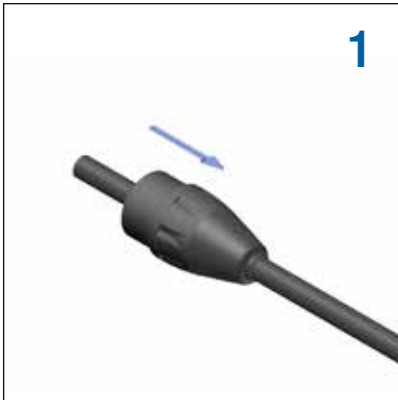


| | | | |
|------------------------|-------|---|---|
| SERIES PREFIX | AX | = | Series Prefix |
| CONTACT LAYOUTS | 3 | = | 3 Contacts |
| | 4 | = | 4 Contacts |
| | 5 | = | 5 Contacts |
| GENDER | F | = | Female Socket Contacts |
| | M | = | Male Pin Contacts |
| SHELL FINISH | Blank | = | Nickel Plated Finish |
| | B | = | Black Finish |
| SLEEVE OPTION | 1 | = | Brown |
| | 2 | = | Red |
| | 3 | = | Orange |
| | 4 | = | Yellow |
| | 5 | = | Green |
| | 6 | = | Blue |
| | 7 | = | Violet |
| | 8 | = | Grey |
| | 9 | = | White |
| CONTACT PLATING | Blank | = | Standard Plating (Silver or Tin - Refer to Standard Data.) |
| | AU | = | Gold Plated |
| PACKAGING | Blank | = | Individual Bags |
| | BULK | = | Bulk Packed |

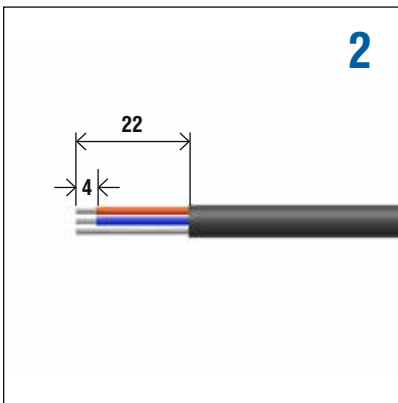


PI539 ASSEMBLY INSTRUCTIONS

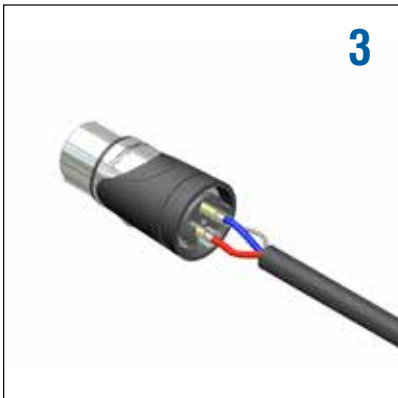
AX SERIES FEMALE XLR
CABLE CONNECTOR



Slide the nut (Backshell) onto the cable



Strip the cable



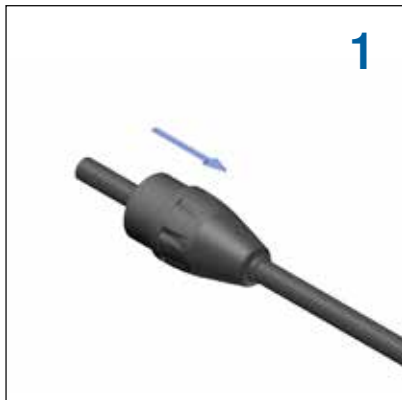
Push back the insert only enough to expose the solder buckets. It is not necessary to remove the insert. Solder the wires to the contacts.



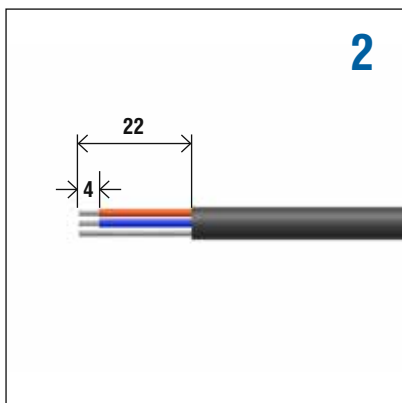
Install the cable clamp, flush to the insert making sure to align the top slot with the spring. Then push the insert & cable clamp together into the shell.



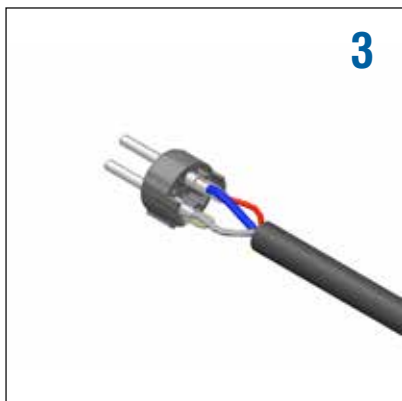
Thread the nut (Backshell) onto the shell (Torque 0.8Nm - 1.2Nm) to activate the cable clamp and close the connector assembly.



Slide the nut (Backshell) onto the cable



Strip the cable



Solder the wires to the contacts.



Install the cable clamp flush to the insert making sure to align the slot with the ground contact.



Align the key of the insert with the keyway on the shell then push the pin insert & cable clamp together in the shell.

PI538 ASSEMBLY INSTRUCTIONS

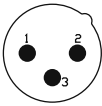
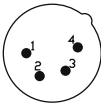
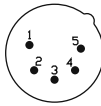
AX SERIES MALE XLR
CABLE CONNECTOR



Thread the nut (Backshell) onto the shell (Torque 0.8Nm - 1.2Nm) to activate the cable clamp and close the connector assembly.



STANDARD DATA AX SERIES CABLE CONNECTORS

| | | VALUE | | |
|-----------------------------------|--|---|---|---|
| GENERAL CHARACTERISTICS | Number of contacts | 3 | 4 | 5 |
| | AX Series Contact Arrangements (Front view of pin inserts) |  |  |  |
| | Termination | SOLDER | | |
| | Max. Wire Gauge - Stranded wire: Solder | 14AWG | 16AWG | 18AWG |
| | Flammability rating of insulator plastics and housings | UL94V-0 | | |
| Environmental | Complies with EU RoHS 2 Directive 2011/65/EU | | | |
| ELECTRICAL CHARACTERISTICS | Service Voltage RMS | 133V ¹⁾ | | |
| | Test Voltage AC RMS | 1400V | | |
| | Current carrying capacity: Solder | 15A | 10A | 7.5A |
| | Typical Contact Resistance | ≤3m Ω | | |
| | Insulation Resistance | ≥1G Ω | | |
| CLIMATIC CHARACTERISTICS | Protection Class | IP40 | | |
| | Operating Temperature | -25 °C to +75 °C (-13°F to +167°F) | | |
| MECHANICAL CHARACTERISTICS | Insertion and Withdrawal force | ≥10N - ≤30N | | |
| | Weight ²⁾ | 31g (0.068lb) | 33g (0.073lb) | 33g (0.073lb) |
| | Typical Cable retention force | 22Kg to 44Kg (50lb to 100lb) - Dependent on cable material and diameter. | | |
| | Cable O.D. range | 3mm to 8mm (0.118" to 0.314") | | |
| | Mechanical Operations | 1000 mating cycles | | |
| MATERIALS | Connector shell - Metal Shell finish | Diecast Zinc Alloy Satin nickel or Black | | |
| | Insulators | UL94V-0 PA66, 30% Glass Filled | | |
| | Boot / Backshell Finish | UL94V-0 Noryl N190 / Santoprene Black, other colours available - see page 80 | | |
| | Cable clamp | Noryl N190 | | |
| | Sleeve | Noryl N190 | | |
| | Male Contact Machined - Solder / Plating | Brass / Silver or Gold (Optional) | | |
| | Female Contact Stamped - Solder / Plating | Phosphor Bronze / Tin or Gold (Optional) | | |

Rev 3 - 03/2013

¹⁾ Not suitable for domestic applications above 50V

²⁾ Approximate weight only, does not include packaging. Please contact us for exact weight for shipping purposes.