

Amphenol Tuchel Industrial GmbH Postfach 1110 D-74001 Heilbronn

TTI, INC.
Ganghoferstr. 34
82216 Maisach-Gernlinden
Germany

Amphenol Tuchel Industrial GmbH
August-Haeusser-Strasse 10
74080 Heilbronn

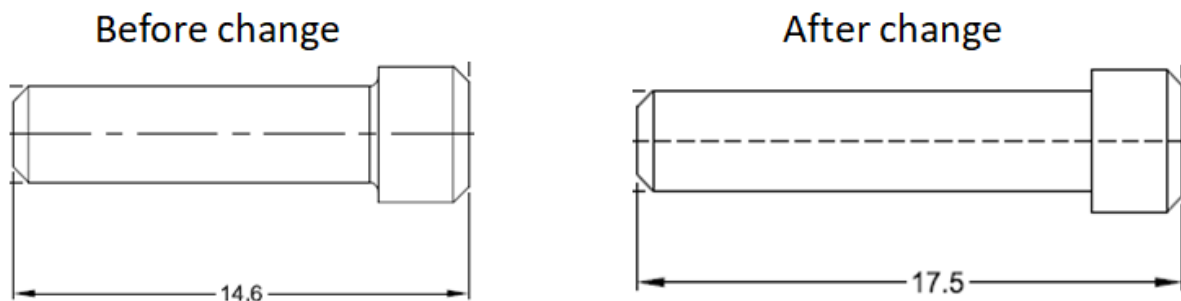
Tel.: +49 7131 929-437
E-Mail: enza.vinci @amphenol.de
www.industrial-amphenol.de

29. Juni 2021

PCN Seal Plug A114017

Dear Sir or Madam,

In an attempt to constantly improve our high degree of customer satisfaction, we decided to change the length of our seal plug A114017 from 14,6mm to 17,5mm. This change will not affect the function of the product.



Best regards,

Amphenol Tuchel Industrial GmbH

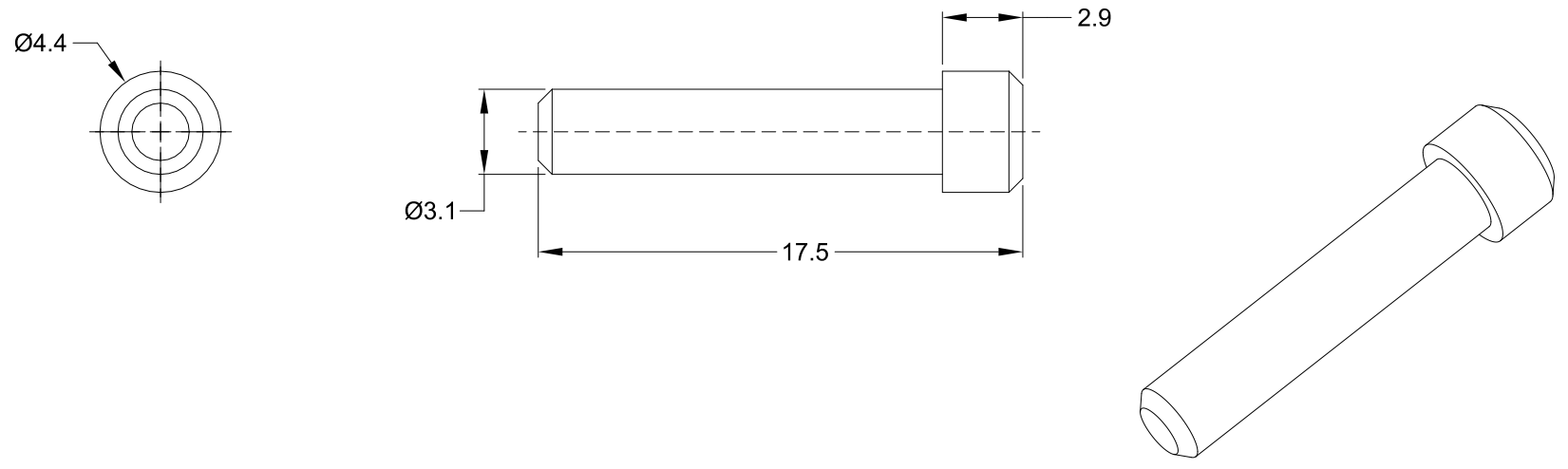
Ines Hertig
Product Manager Industrial

Enclosures
Drawing C-A114017-B3

ATI 906 US B 08.17

General Manager:
Klaus-Dieter Arndt,
Joerg Kersten,
Craig A. Lampo,
Adam Norwitt
Location:
Heilbronn / Deutschland
Register Court Stuttgart, HRB 755446

REVISIONS					
REV	ECO	DESCRIPTION	DATE	BY	APPR
B2	-	UPDATE DRAWING	29MAR18	ROOKIE	TOMMY
B3	-	CHANGE LENGTH	03/MAR/20	PETER	TOMMY



NOTES: UNLESS OTHERWISE SPECIFIED

1. MATERIAL: THERMOPLASTIC; RoHS COMPLIANT
2. COLOR: WHITE
3. CONTACT SIZE: 16, 12
4. FITS A SERIES & RT360 SERIES CONNECTORS
5. ALL DIMENSIONS ARE FOR REFERENCE USE ONLY.

A114017		REF:114017		
PART NUMBER		DESCRIPTION		ITEM
QUANTITY	MATERIALS LIST			
UNLESS OTHERWISE SPECIFIED 1) All dimensions are in metric(mm). 2) Tolerances are as follows: 1 PL DEC ±0.30 2 PL DEC ±0.15 3 PL DEC ±0.08 Fractions ±1/64 Angles ±1° 3) Note reference =		SIGNATURES DATE DRAWN: PETER.YANG 03/MAR/20 CHECKED: ORION.LI 04/MAR/20 ENGINEER: APPROVAL: TOMMY.XIE 05/MAR/20 CUSTOMER:		<h1 style="text-align: center;">Amphenol</h1> <p style="text-align: center;">Sine Systems - www.amphenol-sine.com 44724 Morley Drive Clinton Township, MI 48036</p>
MATERIAL SPECIFICATIONS:		THIS DRAWING IS SUPPLIED FOR INFORMATION ONLY. DESIGN FEATURES, SPECIFICATIONS AND PERFORMANCE DATA SHOWN HEREON ARE THE PROPERTY OF THE AMPHENOL CORPORATION. NO RIGHTS OF REPRODUCTION ARE IMPLIED. ALL DIMENSIONS ARE SUBJECT TO NORMAL MANUFACTURING VARIATIONS.		
PROCESS SPECIFICATIONS:		SIZE	TYPE	DWG NO:
NEXT ASSY:		A	C-	A114017
		SCALE: NONE		REVISION B3
		SHEET 1 OF 1		