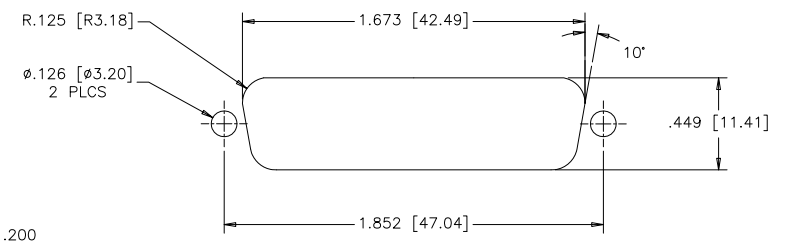
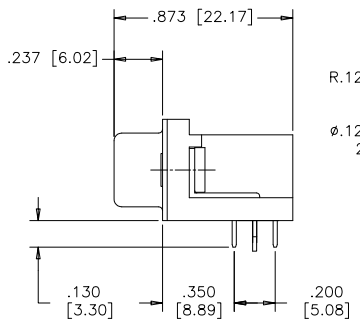
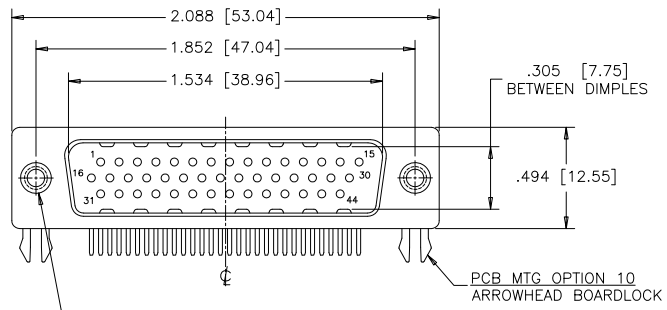


## Amphenol Canada Corp - Product Change Notice (PCN)

PCN Date	May 11, 2018
Supplier Name:	Amphenol Canada Corp., Commercial Products
Amphenol Canada PCN Number	PCN-C1356
Description of Change	For all connectors in 17BH, 17EBH, 17HD, 17EHD, 617 & 6E17 series, change the stamped d-sub shells from tin plating to nickel plating.
Reason for Change	Elimination of potential tin whiskers between shell and contact positions
Summary of changes between new and old part	Old part tin plated shell(s), new part nickel plated shell(s)
Traceability guidelines (lot code / date code, markings, ship date...)	Manufacturing date code 1824 and beyond for nickel plated shells. This is a running change and existing inventory of finished goods will continue to be shipped as is (with tin plated shells). Also, any open orders as of May11/18, even if they are scheduled to be shipped beyond the change date, will be produced with tin plated shells.
Last Time Buy Date	Not applicable
Datasheet attached? & Filename(s)	Updated example drawings attached - P-17EBH-044PXX-XX0-REVC, P-17EHD-015SXX-X3X-REVC, P-17EHD-026XXX-X00-REVE, P-6E17H-XXXGXX-X03-REVC, P-6E17X-XXXSXX-X20X-REVD
Qual Test data attached? & Filename(s)	Not applicable

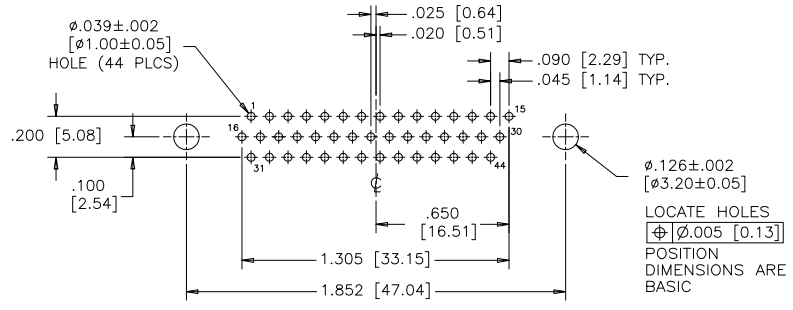
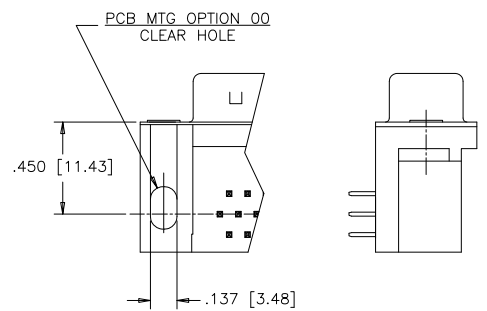
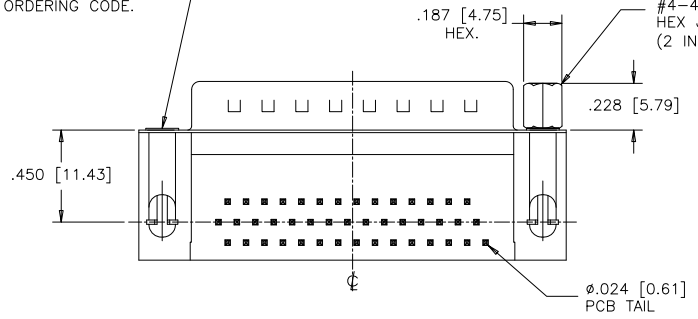
Customer Part Number	Amphenol Old Part Number (All parts numbers in these product series)	Amphenol New Part Number	PCN Effectivity Date	Samples Availability Date	Last Time Buy Date	Expected Supplier Qual Date
	17BH	No change	10-Jun-18	11-May-18	N/A	
	17EBH	No change	10-Jun-18	11-May-18	N/A	
	17HD	No change	10-Jun-18	11-May-18	N/A	
	17EHD	No change	10-Jun-18	11-May-18	N/A	
	617	No change	10-Jun-18	11-May-18	N/A	
	6E17	No change	10-Jun-18	11-May-18	N/A	

REVISIONS			
REV	ECN, ERN NO.	DATE	APPRD.
C	PRODUCT DRAWING (EAR 14658)	MAY4/18	K.L.



PANEL MTG OPTIONS 0 OR 1  
 .120 [3.05] DIA. OR #4-40  
 THROUGH HOLES (2 PLACES),  
 SEE ORDERING CODE.

PANEL MTG OPTION 2  
 #4-40 UNC THREADED  
 HEX JACK SOCKET  
 (2 INSTALLED)



RECOMMENDED P.C.B LAYOUT  
 (COMPONENT SIDE OF BOARD)

ORDERING CODE:

PART NUMBER: 1 7 E B H - 0 4 4 P A M - 2 1 0

- SERIES
- NUMBER OF CONTACTS  
044
- STYLE  
P= PIN
- CONTACT PLATING OPTIONS FOR ENGAGEMENT AREA  
AA= 3µ" [0.08 MICRONS] GOLD FLASH  
CH= 15µ" [0.38 MICRONS] GOLD  
AM= 30µ" [0.76 MICRONS] GOLD
- PCB MOUNTING OPTIONS  
00= CLEAR HOLE  
10= ARROWHEAD BOARDLOCK
- PANEL MOUNTING OPTIONS  
0= .120 [3.05] CLEAR HOLE  
1= #4-40 THREADED HOLE  
2= #4-40 UNC THREADED HEX JACK SOCKETS

SPECIFICATIONS:

MATERIALS: ALL MATERIALS ARE RoHS COMPLIANT.

SHELLS: STEEL, NICKEL PLATED.

INSERTS: HIGH TEMPERATURE RESISTANT NYLON, GLASS REINFORCED, UL FLAMMABILITY RATING 94V-0, COLOUR: BLACK.

CONTACTS: COPPER ALLOY, GOLD PLATING (SEE ORDERING CODE) OVER 50µ" [1.27 MICRONS] NICKEL ON ENGAGEMENT AREA WITH 100µ" [2.54 MICRONS] MIN. MATTE TIN ON CONTACT TERMINALS.

BOARDLOCK: COPPER ALLOY, TIN PLATED.

ELECTRICAL DATA:

CURRENT RATING: 3 AMP

CONTACT RESISTANCE: 15 MILLIOHMS MAX.

INSULATION RESISTANCE: 5000 MEGOHMS MIN.

DIELECTRIC WITHSTANDING VOLTAGE: 1000 VAC rms

OPERATING TEMPERATURE: -55°C TO +105°C

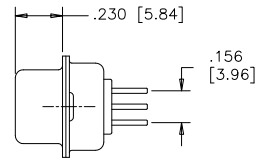
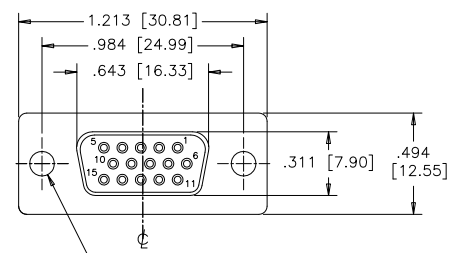
DRAWN	J.LEE	DATE	DEC12/06
DESIGNED			
CHECKED	K.LAMBIE	DATE	DEC12/06
I. E. APPRD.			
Q. A. APPRD.			
DWG. APPRD.			
ENG. REL. NO.			
REF.	EAR 12992		
DIMENSIONS ARE IN	CODE ID. NO.		
INCHES [mm]	03554		

Amphenol Canada Corp.  
 TITLE: 17EBH SERIES HIGH DENSITY D-SUB CONNECTOR, 44 SIZE PIN, RIGHT ANGLE PCB CONTACTS, PLATING & MOUNTING OPTIONS, RoHS COMPLIANT

DWG	DRAWING NO.	REV.
C	P-17EBH-044PXX-XX0	C
SCALE	2/1	WT. _____ SURF. _____ SHEET 1 OF 1

THIS DOCUMENT CONTAINS PROPRIETARY INFORMATION AND SUCH INFORMATION MAY NOT BE DISCLOSED TO OTHERS FOR ANY PURPOSE OR USED FOR MANUFACTURING PURPOSES WITHOUT WRITTEN PERMISSION FROM AMPHENOL CANADA CORP.

REVISIONS			
REV	ECN, ERN NO.	DATE	APPRD.
C	PRODUCT DRAWING (EAR 14658)	MAY04/18	K.L.



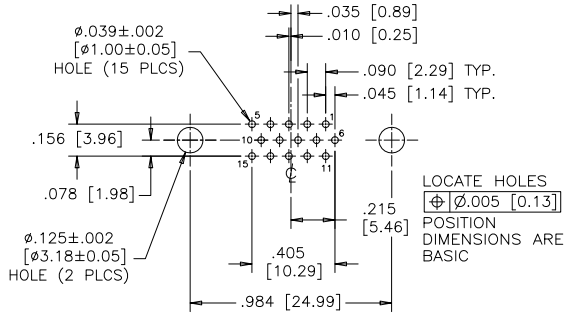
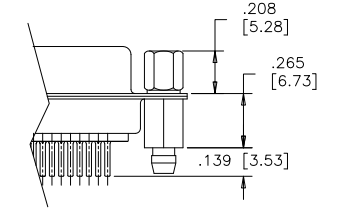
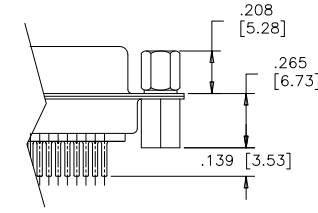
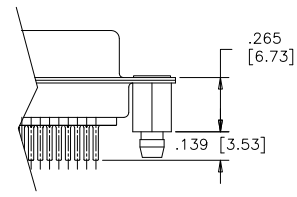
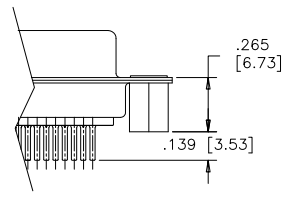
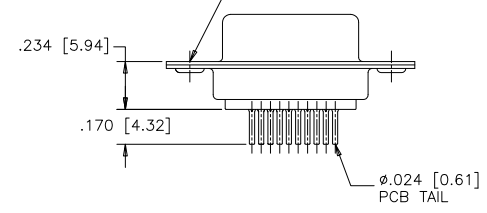
**TERMINATION-MTG OPTION 030**  
 .120 [3.05] DIA. THROUGH HOLES (2 PLACES), SEE ORDERING CODE.

**TERMINATION-MTG OPTION 130**  
 VERTICAL MOUNT, #4-40 UNC THREADED THROUGH STANDOFFS

**TERMINATION-MTG OPTION 132**  
 VERTICAL MOUNT, #4-40 UNC THREADED WITH BOARDLOCKS

**TERMINATION-MTG OPTION 230**  
 VERTICAL MOUNT, #4-40 UNC HEX JACK SOCKETS, STANDOFFS

**TERMINATION-MTG OPTION 232**  
 VERTICAL MOUNT, #4-40 UNC HEX JACK SOCKETS, STANDOFFS WITH BOARDLOCKS



**RECOMMENDED P.C.B. LAYOUT**  
 (COMPONENT SIDE OF BOARD)

**ORDERING CODE:**

**PART NUMBER:** 1 7 E H D - 0 1 5 S X X - X 3 X

**SERIES**

**NUMBER OF CONTACTS**  
 015

**STYLE**  
 S=SOCKET

**TERMINATION-MOUNTING OPTIONS**

- 030=VERTICAL MOUNT,  $\phi$ .120 [3.05] THROUGH HOLE
- 130=VERTICAL MOUNT, #4-40 UNC STANDOFFS
- 132=VERTICAL MOUNT, #4-40 UNC STANDOFFS WITH BOARDLOCKS
- 230=VERTICAL MOUNT, #4-40 UNC HEX JACK SOCKETS, STANDOFFS
- 232=VERTICAL MOUNT, #4-40 UNC HEX JACK SOCKETS, STANDOFFS WITH BOARDLOCKS

**CONTACT PLATING OPTIONS**

- AA=ENGAGEMENT AREA  $3\mu$  [0.08 MICRONS] GOLD FLASH
- CH=ENGAGEMENT AREA  $15\mu$  [0.38 MICRONS] GOLD
- AM=ENGAGEMENT AREA  $30\mu$  [0.76 MICRONS] GOLD

**SPECIFICATIONS:**

**MATERIALS:** ALL MATERIALS ARE RoHS COMPLIANT

**SHELL:** STEEL, NICKEL PLATED

**INSERTS:** HIGH TEMPERATURE RESISTANT NYLON, GLASS REINFORCED, UL FLAMMABILITY RATING 94V-0, COLOUR: BLACK

**CONTACTS:** COPPER ALLOY, GOLD PLATING (SEE ORDERING CODE) OVER  $50\mu$  [1.27 MICRONS] NICKEL ON ENGAGEMENT AREA WITH  $100\mu$  [2.54 MICRONS] MIN. MATTE TIN ON CONTACT TERMINALS.

**BOARDLOCK:** COPPER ALLOY, TIN PLATED

**ELECTRICAL DATA:**

**CURRENT RATING:** 3 AMP

**CONTACT RESISTANCE:** 15 MILLIOHMS MAX.

**INSULATION RESISTANCE:** 3000 MEGOHMS MIN.

**DIELECTRIC WITHSTANDING VOLTAGE:** 1000 VAC rms

**OPERATING TEMPERATURE:** -55°C TO +105°C

DRAWN	E.CHEN	DATE	JUN27/06
DESIGNED			
CHECKED	K.LAMBIE	DATE	JUL26/06
I. E. APPRD.			
Q. A. APPRD.			
DWG. APPRD.			
ENG. REL. NO.			
REF.	EAR 12956		
DIMENSIONS ARE IN	CODE ID. NO.		
INCHES	03554		

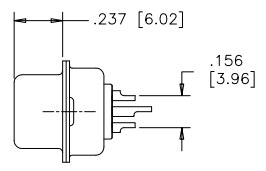
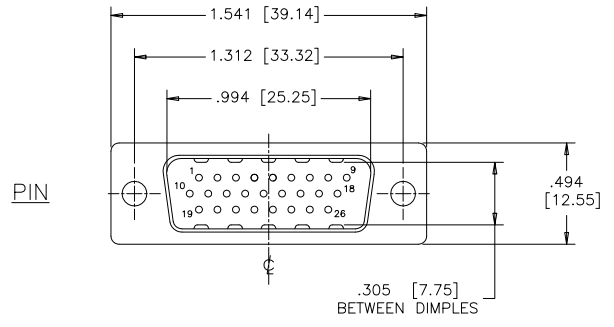
**Amphenol Canada Corp.**

**TITLE** 17EHD SERIES HIGH DENSITY D-SUB CONNECTOR, 15 SIZE SOCKET, VERTICAL PCB MOUNT CONTACTS, PLATING & MOUNTING OPTIONS, RoHS COMPLIANT

DWG	DRAWING NO.	REV.
C	P-17EHD-015SXX-X3X	C
DIMENSIONS ARE IN	SCALE	WT.
INCHES	2/1	
CODE ID. NO.	SURF.	SHEET
03554		1 OF 1

THIS DOCUMENT CONTAINS PROPRIETARY INFORMATION AND SUCH INFORMATION MAY NOT BE DISCLOSED TO OTHERS FOR ANY PURPOSE OR USED FOR MANUFACTURING PURPOSES WITHOUT WRITTEN PERMISSION FROM AMPHENOL CANADA CORP.

REVISIONS			
REV	ECN, ERN NO.	DATE	APPRD.
E	PRODUCT DWG PER EAR 14658	MAY07/18	K.L.



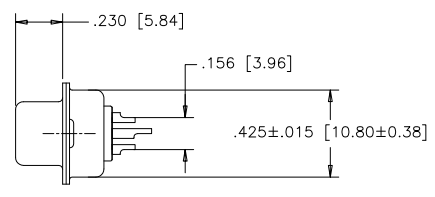
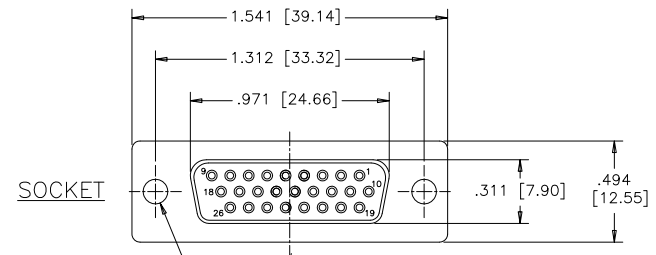
**ORDERING CODE:**

PART NUMBER: 1 7 E H D - 0 2 6 P A M - 1 0 0

SERIES \_\_\_\_\_  
 NUMBER OF CONTACTS 026  
 STYLE \_\_\_\_\_  
 P=PIN  
 S=SOCKET

**TERMINATION-MOUNTING OPTIONS**  
 000= SOLDER CUP, .120 [3.05] DIA. THROUGH HOLE  
 100= SOLDER CUP, #4-40 UNC THREADED HOLES  
 200= SOLDER CUP, #4-40 UNC HEX JACK SOCKETS INSTALLED

**CONTACT PLATING OPTIONS FOR ENGAGEMENT AREA**  
 AA= GOLD FLASH  
 CH= 15μ" [0.38 MICRONS] GOLD  
 AM= 30μ" [0.76 MICRONS] GOLD



**SPECIFICATIONS:**

**MATERIALS:** ALL MATERIALS ARE RoHS COMPLIANT

**SHELL:** STEEL, NICKEL PLATED

**INSERTS:** ENGINEERING THERMOPLASTIC PBT, GLASS REINFORCED, UL FLAMMABILITY RATING 94V-0, COLOUR: BLACK

**CONTACTS:** COPPER ALLOY, GOLD PLATING (SEE ORDERING CODE) OVER 50μ" [1.27 MICRONS] NICKEL ON ENGAGEMENT AREA WITH 100μ" [2.54 MICRONS] MIN. MATTE TIN ON CONTACT TERMINALS.

TERMINATION-MTG OPTION 000  
 SOLDER CUP,  
 .120 [3.05] DIA.  
 THROUGH HOLE (2 PLACES)

**ELECTRICAL DATA:**

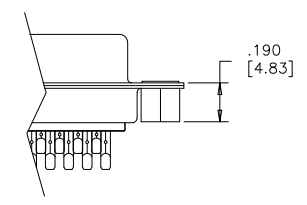
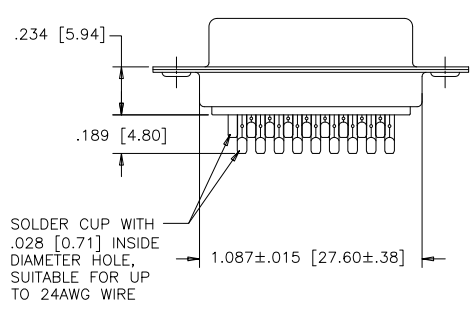
**CURRENT RATING:** 3 AMP

**CONTACT RESISTANCE:** 15 MILLIOHMS MAX.

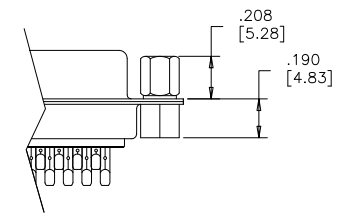
**INSULATION RESISTANCE:** 3000 MEGOHMS MIN.

**DIELECTRIC WITHSTANDING VOLTAGE:** 1000 VAC rms

**OPERATING TEMPERATURE:** -55°C TO +105°C



TERMINATION-MTG OPTION 100  
 SOLDER CUP,  
 #4-40 UNC THREADED  
 THROUGH HOLES



TERMINATION-MTG OPTION 200  
 SOLDER CUP,  
 #4-40 UNC HEX  
 JACK SOCKETS INSTALLED



DRAWN	J.LEE	DATE	OCT03/06
DESIGNED			
CHECKED	K.LAMBIE	DATE	OCT03/06
I. E. APPRD.			
Q. A. APPRD.			
DWG. APPRD.			
ENG. REL. NO.		DWG	DRAWING NO.
REF.	EAR 12956	C	P-17EHD-026XXX-X00
DIMENSIONS ARE IN	CODE ID. NO.	SCALE	WT. SURF. SHEET
INCHES	03554	2/1	1 OF 1

**Amphenol Canada Corp.**

TITLE: 17EHD SERIES HIGH DENSITY D-SUB CONNECTOR, 26 SIZE, SOLDER CUP, PLATING & MOUNTING OPTIONS, RoHS COMPLIANT

THIS DOCUMENT CONTAINS PROPRIETARY INFORMATION AND SUCH INFORMATION MAY NOT BE DISCLOSED TO OTHERS FOR ANY PURPOSE OR USED FOR MANUFACTURING PURPOSES WITHOUT WRITTEN PERMISSION FROM AMPHENOL CANADA CORP.

REVISIONS			
REV	ECN, ERN NO.	DATE	APPRD.
C	PRODUCT DRAWING (EAR 14658)	MAY07/18	K.L.

**MECHANICAL DATA:**

**MATERIALS:** ALL MATERIALS ARE RoHS COMPLIANT

**SHELL:** STEEL, NICKEL PLATED

**INSERTS:** HIGH TEMPERATURE RESISTANT NYLON, GLASS REINFORCED, UL FLAMMABILITY RATING 94V-0, COLOUR: BLACK

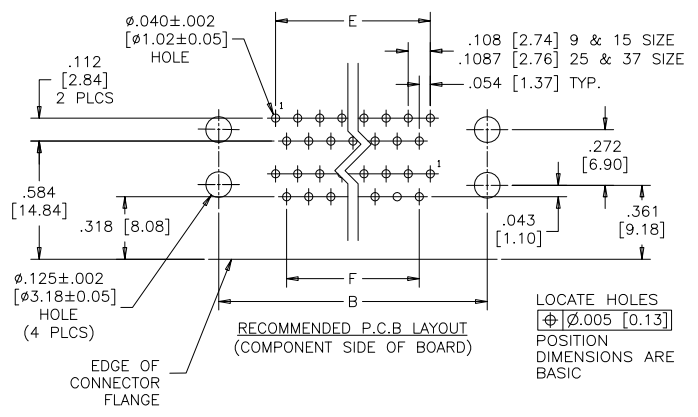
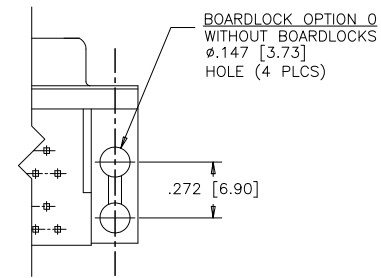
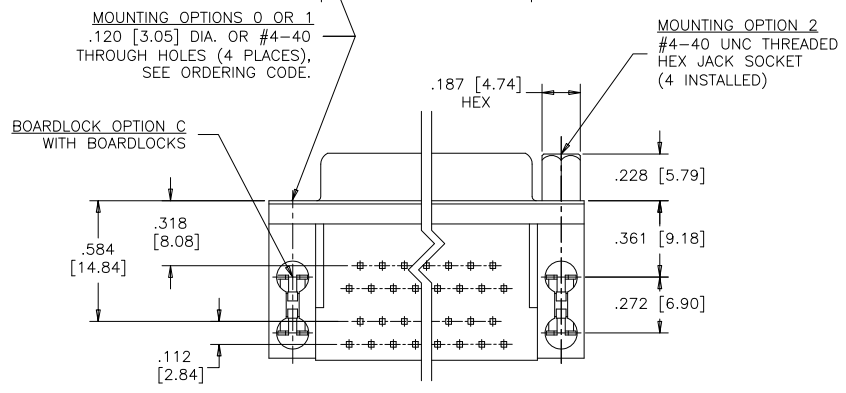
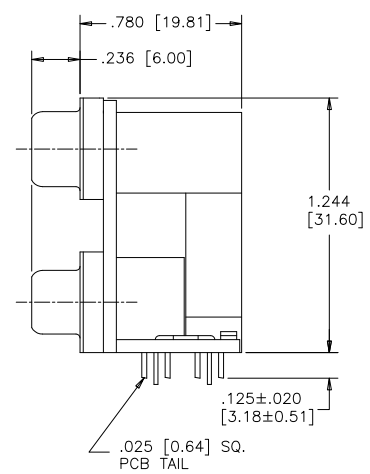
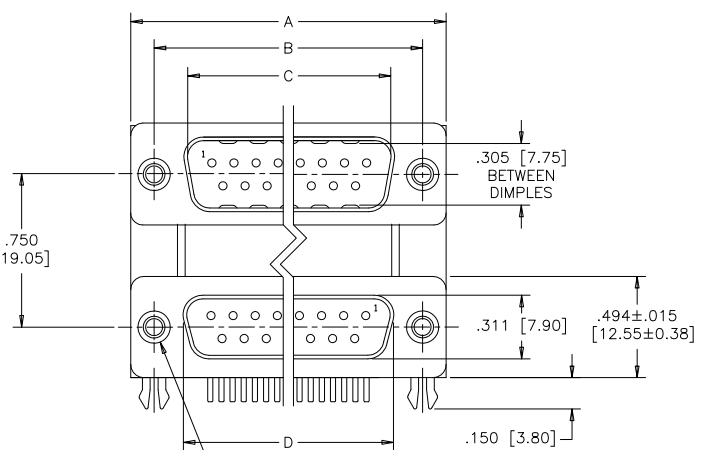
**CONTACTS:** COPPER ALLOY, GOLD PLATING (SEE ORDERING CODE) OVER 50µ" [1.27 MICRONS] NICKEL ON ENGAGEMENT AREA WITH 100µ" [2.54 MICRONS] MIN. MATTE TIN ON CONTACT TERMINALS.

**BOARDLOCK:** COPPER ALLOY, TIN PLATED

**ELECTRICAL DATA:**

**CURRENT RATING:** 5 AMP  
**CONTACT RESISTANCE:** 15 MILLIOHMS MAX.  
**INSULATION RESISTANCE:** 3000 MEGOHMS MIN.  
**DIELECTRIC WITHSTANDING VOLTAGE:** 1000 VAC rms  
**OPERATING TEMPERATURE:** -55°C TO +105°C

SIZE	A	B	C	D	E	F
9 OVER 9 18 CONTACTS	1.213 [30.81]	.984 [24.99]	.666 [16.92]	.643 [16.33]	.432 [10.97]	.324 [8.23]
15 OVER 15 30 CONTACTS	1.541 [39.14]	1.312 [33.32]	.994 [25.25]	.971 [24.66]	.756 [19.20]	.648 [16.46]
25 OVER 25 50 CONTACTS	2.088 [53.04]	1.852 [47.04]	1.534 [38.96]	1.511 [38.38]	1.304 [33.12]	1.196 [30.38]
37 OVER 37 74 CONTACTS	2.729 [69.32]	2.500 [63.50]	2.182 [55.42]	2.159 [54.84]	1.956 [49.68]	1.848 [46.94]



**ORDERING CODE:**

**PART NUMBER:** 6 E 1 7 H - C 1 8 G A J - 1 0 3

**SERIES**

BOARDLOCK OPTION  
 C=WITH BOARDLOCKS  
 O=WITHOUT BOARDLOCKS

**NUMBER OF CONTACTS**

18=2 x 9  
 30=2 x 15  
 50=2 x 25  
 74=2 x 37

**STYLE**

G=PIN OVER SOCKET,  
 .750" [19.05] PORT SPACING

**SHELL CHARACTERISTICS**  
 03=STEEL SHELLS, NICKEL PLATED, PLUG SHELL WITH GROUNDING DIMPLES AND RECEPTACLE SHELL WITHOUT DIMPLES

**MOUNTING OPTIONS**  
 0=Ø.120" [3.05] CLEAR HOLE  
 1=#4-40 THREADED HOLE  
 2=MOUNTING OPTION 1 WITH #4-40 UNC HEX JACK SOCKETS INSTALLED

**CONTACT PLATING OPTIONS**  
 BF=ENGAGEMENT AREA GOLD FLASH.  
 CF=ENGAGEMENT AREA 15µ" [0.38 MICRONS] GOLD  
 AJ=ENGAGEMENT AREA 30µ" [0.76 MICRONS] GOLD

DRAWN	J.LEE	DATE	OCT04/06
DESIGNED			
CHECKED	K.LAMBIE	OCT04/06	
I. E. APPRD.			
Q. A. APPRD.			
DWG. APPRD.			
ENG. REL. NO.		DWG	DRAWING NO.
REF.	EAR 12957	C	P-6E17H-XXXGXX-X03
DIMENSIONS ARE IN INCHES		CODE ID. NO.	03554

**Amphenol Canada Corp.**

6E17H SERIES DUAL PORT CONNECTOR, PIN OVER SOCKET, .750" [19.05] SPACING, PLATING & MOUNTING OPTIONS, RoHS COMPLIANT

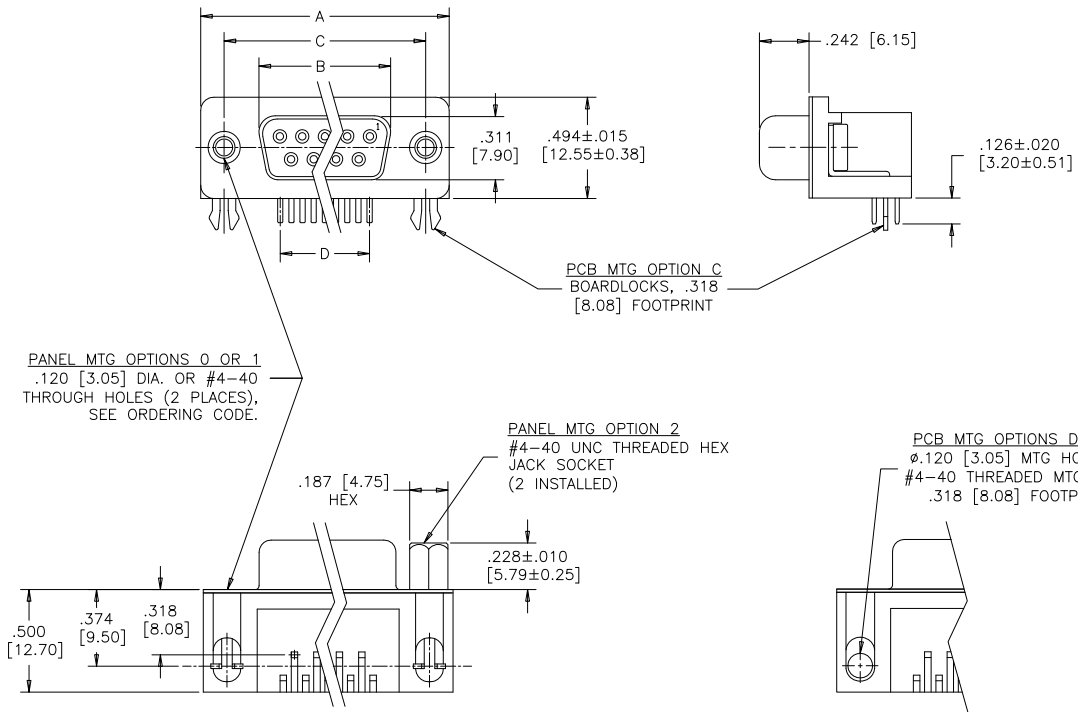
REV.	C
SCALE	2/1
WT.	-----
SURF.	-----
SHEET	1 OF 1

THIS DOCUMENT CONTAINS PROPRIETARY INFORMATION AND SUCH INFORMATION MAY NOT BE DISCLOSED TO OTHERS FOR ANY PURPOSE OR USED FOR MANUFACTURING PURPOSES WITHOUT WRITTEN PERMISSION FROM AMPHENOL CANADA CORP.



**.318 [8.08] FOOTPRINT**  
(STANDARD PCB LAYOUT)

REVISIONS			
REV	ECN, ERN NO.	DATE	APPRD.
C	PRODUCT DRAWING (EAR 14576)	JULY18/17	K.L.
D	PRODUCT DRAWING (EAR 14658)	MAY07/18	K.L.



**DIMENSIONS**

SIZE	A±.015 [0.38]	B±.005 [0.13]	C±.005 [0.13]	D BSC.
009	1.213 [30.81]	.643 [16.33]	.984 [24.99]	.432 [10.97]
015	1.541 [39.14]	.971 [24.66]	1.312 [33.32]	.756 [19.20]
025	2.088 [53.04]	1.511 [38.38]	1.852 [47.04]	1.304 [33.12]
037	2.729 [69.32]	2.159 [54.84]	2.500 [63.50]	1.956 [49.68]

PANEL MTG OPTIONS 0 OR 1  
.120 [3.05] DIA. OR #4-40  
THROUGH HOLES (2 PLACES),  
SEE ORDERING CODE.

PANEL MTG OPTION 2  
#4-40 UNC THREADED HEX  
JACK SOCKET  
(2 INSTALLED)

PCB MTG OPTIONS D OR J  
Ø.120 [3.05] MTG HOLE OR  
#4-40 THREADED MTG HOLE,  
.318 [8.08] FOOTPRINT



**ORDERING CODE:**

**PART NUMBER:** 6 E 1 7 X - X X X S X X - X 2 0 X

**SERIES** —————

**PCB MTG OPTIONS**  
C=BOARDLOCK OPTION,  
.318 [8.08] FOOTPRINT  
D=Ø.120 [3.05] MTG HOLE,  
.318 [8.08] FOOTPRINT  
J=#4-40 THREADED MTG HOLE,  
.318 [8.08] FOOTPRINT  
U=Ø.120 [3.05] MTG HOLE,  
.590 [14.99] FOOTPRINT  
Y=BOARDLOCK OPTION,  
.590 [14.99] FOOTPRINT

**NUMBER OF CONTACTS**  
009, 015, 025, 037

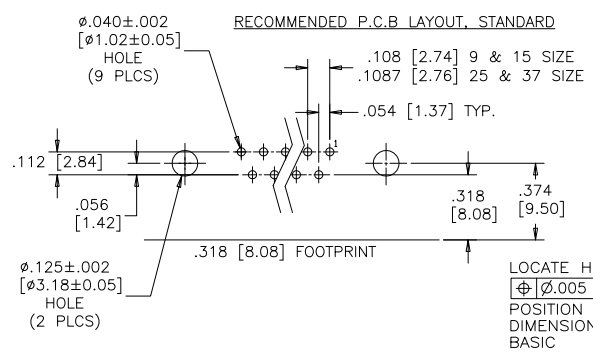
**STYLE**  
S=SOCKET

**PCB LAYOUT CODE**  
NO DIGIT=STANDARD  
.374 [9.50] DIM'N FOR .318 [8.08] F/P  
.315 [8.00] DIM'N FOR .590 [14.99] F/P  
E=.646 [16.41] DIM'N FOR .590 [14.99] F/P

**SHELL CHARACTERISTICS**  
20=NICKEL PLATED RECEPTACLE SHELL

**PANEL MOUNTING OPTIONS**  
0=Ø.120" [3.05] THROUGH HOLE  
1=#4-40 THREADED HOLE  
2=MOUNTING OPTION 1 WITH #4-40  
UNC HEX JACK SOCKETS INSTALLED

**CONTACT PLATING OPTIONS**  
BF=ENGAGEMENT AREA 3µ" [0.08 MICRONS] GOLD FLASH  
CF=ENGAGEMENT AREA 15µ" [0.38 MICRONS] GOLD  
AJ=ENGAGEMENT AREA 30µ" [0.76 MICRONS] GOLD



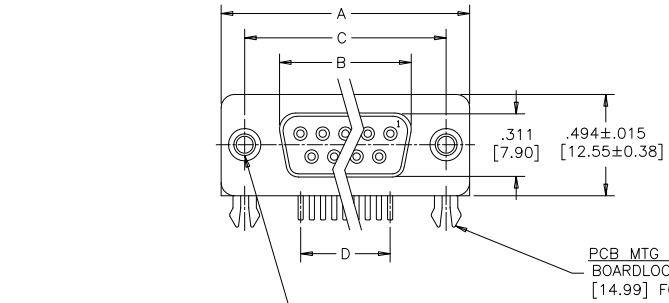
SEE SHEET 2 FOR NOTES & SPECIFICATIONS

DRAWN	A.CHENG	DATE	APR13/06
DESIGNED			
CHECKED	K.LAMBIE	DATE	APR13/06
I. E. APPRD.			
Q. A. APPRD.			
DWG. APPRD.			
ENG. REL. NO.			
REF.	EAR 12937		
DIMENSIONS ARE IN	INCHES	CODE ID. NO.	03554

<b>Amphenol Canada Corp.</b>			
TITLE 6E17 SERIES D-SUB CONNECTOR, 9 TO 37 SIZE SOCKET, RIGHT ANGLE WITH F/P, MTG AND PLATING OPTIONS, RoHS COMPLIANT			
DWG	DRAWING NO.	C	P-6E17X-XXXSXX-X20X
REV.		D	
SCALE	2/1	WT.	-----
SURF.	-----	SHEET	1 OF 2

THIS DOCUMENT CONTAINS PROPRIETARY INFORMATION AND SUCH INFORMATION MAY NOT BE DISCLOSED TO OTHERS FOR ANY PURPOSE OR USED FOR MANUFACTURING PURPOSES WITHOUT WRITTEN PERMISSION FROM AMPHENOL CANADA CORP.

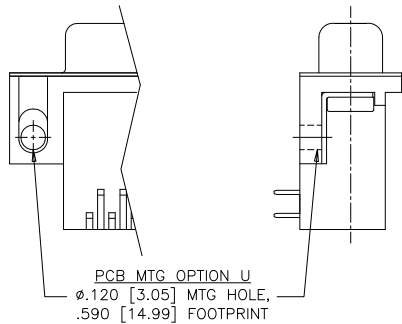
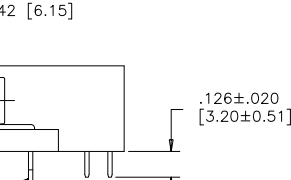
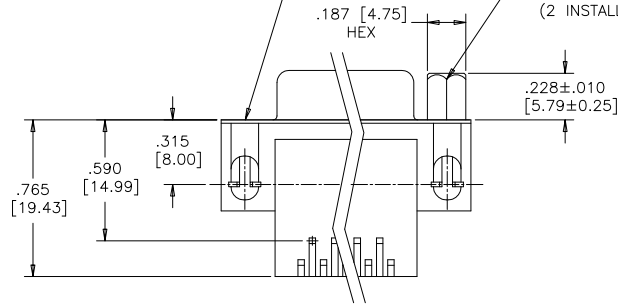
**.590 [14.99] FOOTPRINT**  
(STANDARD PCB LAYOUT)



PCB MTG\_OPTION Y  
BOARDLOCKS, .590  
[14.99] FOOTPRINT

PANEL MTG\_OPTIONS 0 OR 1  
.120 [3.05] DIA. OR #4-40  
THROUGH HOLES (2 PLACES),  
SEE ORDERING CODE.

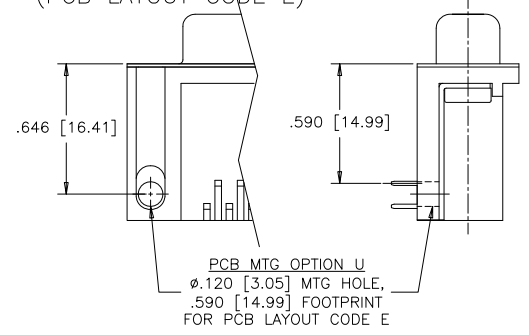
PANEL MTG\_OPTION 2  
#4-40 UNC THREADED HEX  
JACK SOCKET  
(2 INSTALLED)



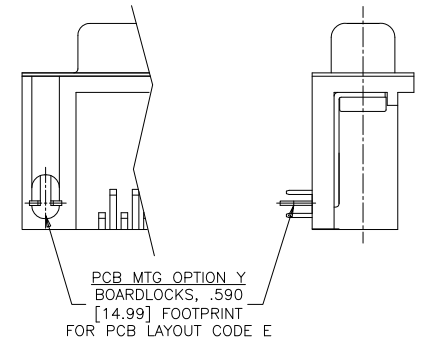
PCB MTG\_OPTION U  
ø.120 [3.05] MTG HOLE,  
.590 [14.99] FOOTPRINT

REVISIONS			
REV	ECN, ERN NO.	DATE	APPRD.
C	PRODUCT DRAWING (EAR 14576)	JULY18/17	K.L.
D	PRODUCT DRAWING (EAR 14658)	MAY07/18	K.L.

**.590 [14.99] FOOTPRINT**  
(PCB LAYOUT CODE E)

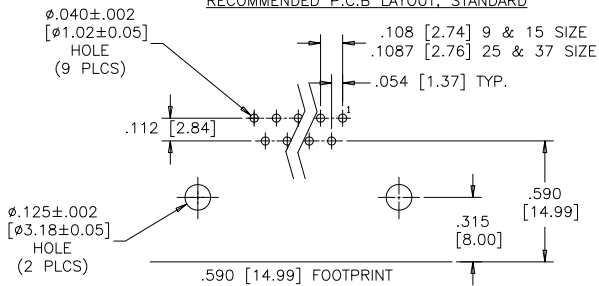


PCB MTG\_OPTION U  
ø.120 [3.05] MTG HOLE,  
.590 [14.99] FOOTPRINT  
FOR PCB LAYOUT CODE E



PCB MTG\_OPTION Y  
BOARDLOCKS, .590  
[14.99] FOOTPRINT  
FOR PCB LAYOUT CODE E

**RECOMMENDED P.C.B LAYOUT, STANDARD**

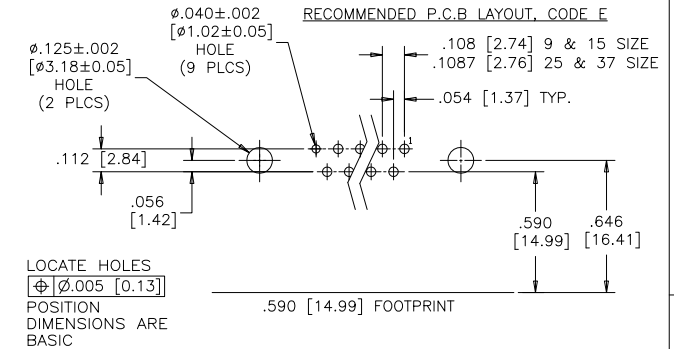


LOCATE HOLES  
⊕ [ø.005 [0.13]]  
POSITION  
DIMENSIONS ARE  
BASIC

**DIMENSIONS**

SIZE	A±.015 [0.38]	B±.005 [0.13]	C±.005 [0.13]	D BSC.
009	1.213 [30.81]	.643 [16.33]	.984 [24.99]	.432 [10.97]
015	1.541 [39.14]	.971 [24.66]	1.312 [33.32]	.756 [19.20]
025	2.088 [53.04]	1.511 [38.38]	1.852 [47.04]	1.304 [33.12]
037	2.729 [69.32]	2.159 [54.84]	2.500 [63.50]	1.956 [49.68]

**RECOMMENDED P.C.B LAYOUT, CODE E**



LOCATE HOLES  
⊕ [ø.005 [0.13]]  
POSITION  
DIMENSIONS ARE  
BASIC

**SPECIFICATIONS:**

MATERIALS: ALL MATERIALS ARE RoHS COMPLIANT

**SHELL:** STEEL, NICKEL PLATED

INSERTS: HIGH TEMPERATURE RESISTANT NYLON, GLASS REINFORCED, UL FLAMMABILITY RATING 94V-0, COLOUR: BLACK

CONTACTS: COPPER ALLOY, GOLD PLATING (SEE ORDERING CODE) OVER 50u" [1.27 MICRONS] NICKEL ON ENGAGEMENT AREA WITH 100u" [2.54 MICRONS] MIN. MATTE TIN ON CONTACT TERMINALS.

BOARDLOCK: COPPER ALLOY, TIN PLATED

**ELECTRICAL DATA:**

CURRENT RATING: 5 AMP

CONTACT RESISTANCE: 15 MILLIOHMS MAX.

INSULATION RESISTANCE: 3000 MEGOHMS MIN.

DIELECTRIC WITHSTANDING VOLTAGE: 1000 VAC rms

OPERATING TEMPERATURE: -55°C TO +105°C

SEE SHEET 1 FOR ORDERING CODE

DRAWN	A.CHENG	DATE	APR13/06
DESIGNED			
CHECKED	K.LAMBIE	DATE	APR13/06
I. E. APPRD.			
Q. A. APPRD.			
DWG. APPRD.			
ENG. REL. NO.			
REF.	EAR 12937		
DIMENSIONS ARE IN	INCHES	CODE ID. NO.	03554

**Amphenol Canada Corp.**

TITLE  
6E17 SERIES D-SUB CONNECTOR, 9 TO 37 SIZE SOCKET, RIGHT ANGLE WITH F/P, MTG AND PLATING OPTIONS, RoHS COMPLIANT

DWG	DRAWING NO.	REV.
C	P-6E17X-XXSX-X20X	D
SCALE	2/1	SHEET 2 OF 2