

Amphenol Tuchel Industrial GmbH Postfach 1110 D-74001 Heilbronn

**Amphenol Tuchel Industrial GmbH**  
August-Haeusser-Strasse 10  
74080 Heilbronn

Tel.: +49 7131 929-545  
E-Mail: marco.walser@amphenol.de  
www.industrial-amphenol.de

15. März 2022

### Discontinuation of specific eco|mate® RM/Aquarius part numbers

Dear Sir or Madam,

Our products are designed to reflect demands from the markets and support our customers in reaching their goals. To ensure this despite changes in technology and markets our portfolio is reviewed on a regular basis. As a result of that, specific part numbers of the eco|mate® series will no longer be available in the future.

The following sealing plug part numbers will be discontinued and can be replaced by products out of our A series portfolio. The replacements are similar/equal in design and color and have the same function regarding protection class. Please have a look on the product drawings in the appendix. For future orders we would please you to switch to the replacement part numbers listed below:

Old part number	Replacement
CA-4012-59	A114017
CA-4016-59	AT13-204-2005
CA-4020-59	AT13-204-2005

If you have any questions feel free and contact us. We will be happy to support you.

Best regards,  
Marco Walser

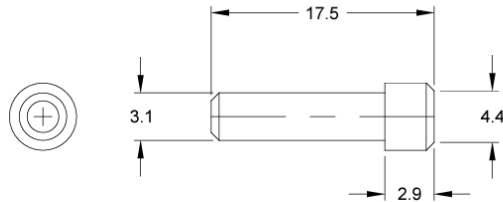
Junior Product Manager

**Amphenol Tuchel Industrial GmbH**

**General Manager:**  
Klaus-Dieter Arndt,  
Joerg Kersten,  
Craig A. Lampo,  
Adam Norwitt  
**Location:**  
Heilbronn / Deutschland  
Register Court Stuttgart, HRB 755446

TITLE: SEALING PLUG SIZE 12 | DWG NO: CA-4012-59 | REV: A2 | SH: 1 | OF: 1

REVISIONS					
REV	ECO	DESCRIPTION	DATE	BY	APPR
A1	-	RELEASE NEW DWG FORMAT	-	-	-
A2	-	MODIFIED DIMS TO METRIC	9-14-2021	RO	-

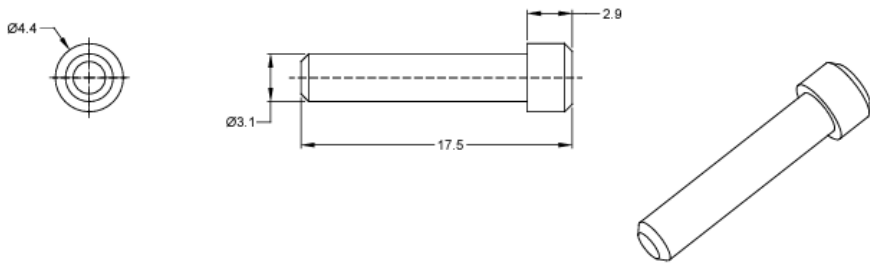


- NOTES: UNLESS OTHERWISE SPECIFIED
- MATERIAL: THERMOPLASTIC; RoHS COMPLIANT
  - COLOR: WHITE
  - END CAP SIZES: 2.5 & 3.6MM
  - DIMENSIONS ARE IN METRIC
  - ALL DIMENSIONS ARE FOR REFERENCE USE ONLY.

QUANTITY	PART NUMBER	DESCRIPTION	ITEM
<b>MATERIALS LIST</b>			
UNLESS OTHERWISE SPECIFIED 1) All dimensions are in metric (mm) 2) Tolerances are as follows: 1 PL DEC #0.30 Fractions, #1/64 2 PL DEC #0.15 Fractions, #1/32 3) Note reference =		<b>Amphenol</b> Sine Systems - www.amphenol-sine.com 44724 Morley Drive Clinton Township, MI 48036 SEALING PLUG, 2.5&3.6MM	
MATERIAL SPECIFICATIONS:		SIGNATURES: DRAWN: MRF DATE: 24SEP15 CHECKED: ENGINEER: APPROVAL: CUSTOMER:	
PROCESS SPECIFICATIONS:		THIS DRAWING IS SUPPLIED FOR INFORMATION ONLY. DESIGN FEATURES, SPECIFICATIONS AND PERFORMANCE DATA SHOWN HEREON ARE THE PROPERTY OF THE AMPHENOL CORPORATION. NO RIGHTS OF REPRODUCTION ARE IMPLIED. ALL DIMENSIONS ARE SUBJECT TO NORMAL MANUFACTURING VARIATIONS.	
NEXT ASSY:		SIZE: A C- TYPE: NONE DWG NO: CA-4012-59 SCALE:	REVISION: A2 SHEET: 1 OF 1

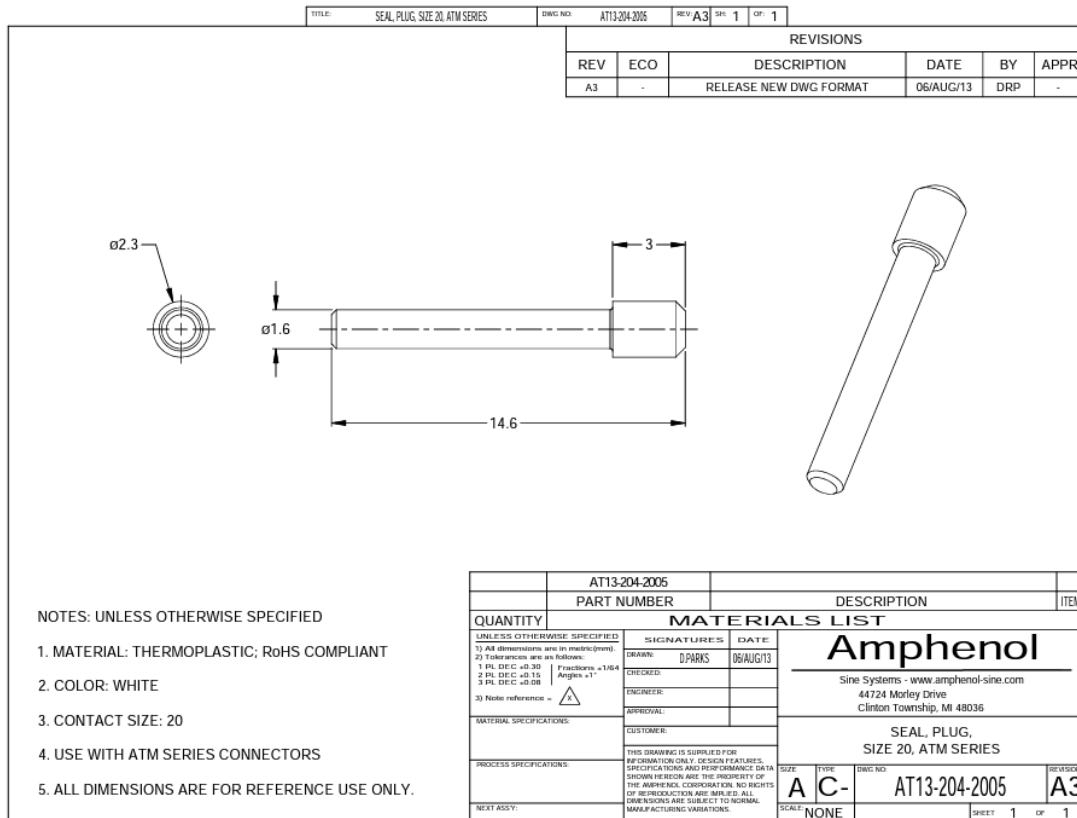
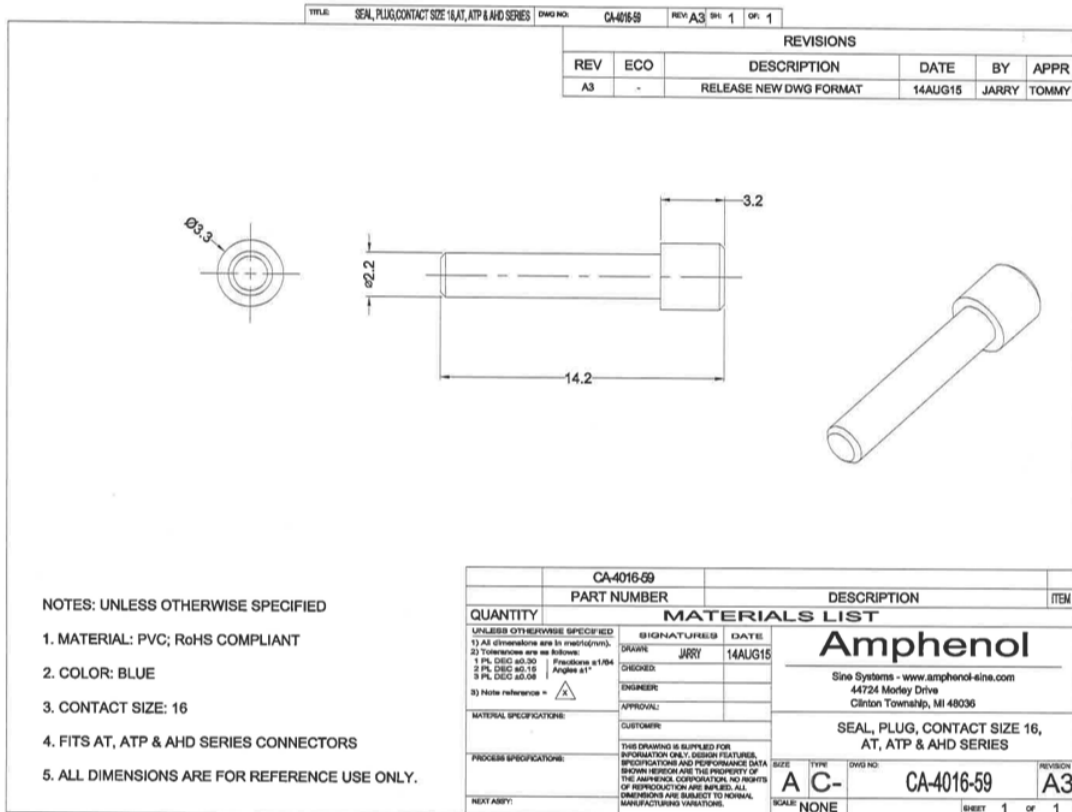
TITLE: SEAL PLUG CONTACT SIZE 16, SIZE 12 | DWG NO: A114017 | REV: B3 | SH: 1 | OF: 1

REVISIONS					
REV	ECO	DESCRIPTION	DATE	BY	APPR
B2	-	UPDATE DRAWING	29MAR18	ROOKIE	TOMMY
B3	-	CHANGE LENGTH	03/MAR/20	PETER	TOMMY



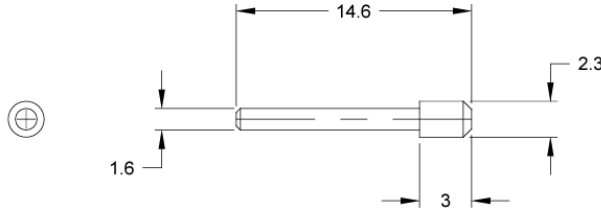
- NOTES: UNLESS OTHERWISE SPECIFIED
- MATERIAL: THERMOPLASTIC; RoHS COMPLIANT
  - COLOR: WHITE
  - CONTACT SIZE: 16, 12
  - FITS A SERIES & RT360 SERIES CONNECTORS
  - ALL DIMENSIONS ARE FOR REFERENCE USE ONLY.

QUANTITY	PART NUMBER	DESCRIPTION	ITEM
<b>MATERIALS LIST</b>			
UNLESS OTHERWISE SPECIFIED 1) All dimensions are in metric (mm) 2) Tolerances are as follows: 1 PL DEC #0.30 Fractions, #1/64 2 PL DEC #0.15 Fractions, #1/32 3) Note reference =		<b>Amphenol</b> Sine Systems - www.amphenol-sine.com 44724 Morley Drive Clinton Township, MI 48036 SEALING PLUG, FOR SIZE 16, SIZE 12	
MATERIAL SPECIFICATIONS:		SIGNATURES: DRAWN: PETER YANG DATE: 03/MAR/20 CHECKED: OPOLU DATE: ENGINEER: APPROVAL: TOMMY HE CUSTOMER:	
PROCESS SPECIFICATIONS:		THIS DRAWING IS SUPPLIED FOR INFORMATION ONLY. DESIGN FEATURES, SPECIFICATIONS AND PERFORMANCE DATA SHOWN HEREON ARE THE PROPERTY OF THE AMPHENOL CORPORATION. NO RIGHTS OF REPRODUCTION ARE IMPLIED. ALL DIMENSIONS ARE SUBJECT TO NORMAL MANUFACTURING VARIATIONS.	
NEXT ASSY:		SIZE: A C- TYPE: NONE DWG NO: A114017 SCALE:	REVISION: B3 SHEET: 1 OF 1



TITLE: SEALING PLUG, SIZE 20 | DWG NO: CA-4020-59 | REV: A3 | SHEET 1 OF 1

REVISIONS					
REV	ECO	DESCRIPTION	DATE	BY	APPR
A1	-	RELEASE NEW DWG FORMAT	-	-	-
A2	CNR	ADDED TOLERANCES	16FEB16	MRF	-
A3	-	MODIFIED DIMS TO METRIC	9/14/2021	RO	-

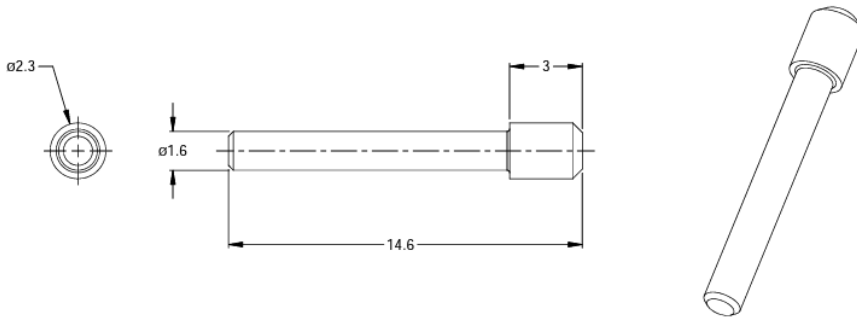


- NOTES: UNLESS OTHERWISE SPECIFIED
1. MATERIAL: THERMOPLASTIC; RoHS COMPLIANT
  2. COLOR: WHITE
  3. END CAP SIZES: 16 & 20
  4. DIMENSIONS ARE IN METRIC
  5. ALL DIMENSIONS ARE FOR REFERENCE USE ONLY.

QUANTITY	PART NUMBER	DESCRIPTION	ITEM
<b>MATERIALS LIST</b>			
<small>UNLESS OTHERWISE SPECIFIED</small> 1) All dimensions are in metric (mm) 2) Tolerances are as follows: 1 PL DEC +0.30 Fractions ±1/64 2 PL DEC +0.15 Angles ±1° 3 PL DEC +0.08 3) Note reference =		<b>Amphenol</b> Sine Systems - www.amphenol-sine.com 44724 Morley Drive Clinton Township, MI 48036 SEALING PLUG, SIZE 16&20	
<small>PROCESS SPECIFICATIONS:</small> THIS DRAWING IS SUPPLIED FOR INFORMATION ONLY. DESIGN FEATURES, SPECIFICATIONS AND PERFORMANCE DATA SHOWN HEREON ARE THE PROPERTY OF THE AMPHENOL CORPORATION. NO RIGHTS OF REPRODUCTION ARE IMPLIED. ALL DIMENSIONS ARE SUBJECT TO NORMAL MANUFACTURING VARIATIONS.		SIZE: <b>A C-</b> TYPE: <b>C-</b> DWG NO: <b>CA-4020-59</b> REVISION: <b>A3</b>	SCALE: <b>NONE</b> SHEET: <b>1</b> OF <b>1</b>

TITLE: SEAL, PLUG, SIZE 20, ATM SERIES | DWG NO: AT13-204-2005 | REV: A3 | SHEET 1 OF 1

REVISIONS					
REV	ECO	DESCRIPTION	DATE	BY	APPR
A3	-	RELEASE NEW DWG FORMAT	06/AUG/13	DRP	-



- NOTES: UNLESS OTHERWISE SPECIFIED
1. MATERIAL: THERMOPLASTIC; RoHS COMPLIANT
  2. COLOR: WHITE
  3. CONTACT SIZE: 20
  4. USE WITH ATM SERIES CONNECTORS
  5. ALL DIMENSIONS ARE FOR REFERENCE USE ONLY.

QUANTITY	PART NUMBER	DESCRIPTION	ITEM
<b>MATERIALS LIST</b>			
<small>UNLESS OTHERWISE SPECIFIED</small> 1) All dimensions are in metric (mm) 2) Tolerances are as follows: 1 PL DEC +0.30 Fractions ±1/64 2 PL DEC +0.15 Angles ±1° 3 PL DEC +0.08 3) Note reference =		<b>Amphenol</b> Sine Systems - www.amphenol-sine.com 44724 Morley Drive Clinton Township, MI 48036 SEAL, PLUG, SIZE 20, ATM SERIES	
<small>PROCESS SPECIFICATIONS:</small> THIS DRAWING IS SUPPLIED FOR INFORMATION ONLY. DESIGN FEATURES, SPECIFICATIONS AND PERFORMANCE DATA SHOWN HEREON ARE THE PROPERTY OF THE AMPHENOL CORPORATION. NO RIGHTS OF REPRODUCTION ARE IMPLIED. ALL DIMENSIONS ARE SUBJECT TO NORMAL MANUFACTURING VARIATIONS.		SIZE: <b>A C-</b> TYPE: <b>C-</b> DWG NO: <b>AT13-204-2005</b> REVISION: <b>A3</b>	SCALE: <b>NONE</b> SHEET: <b>1</b> OF <b>1</b>