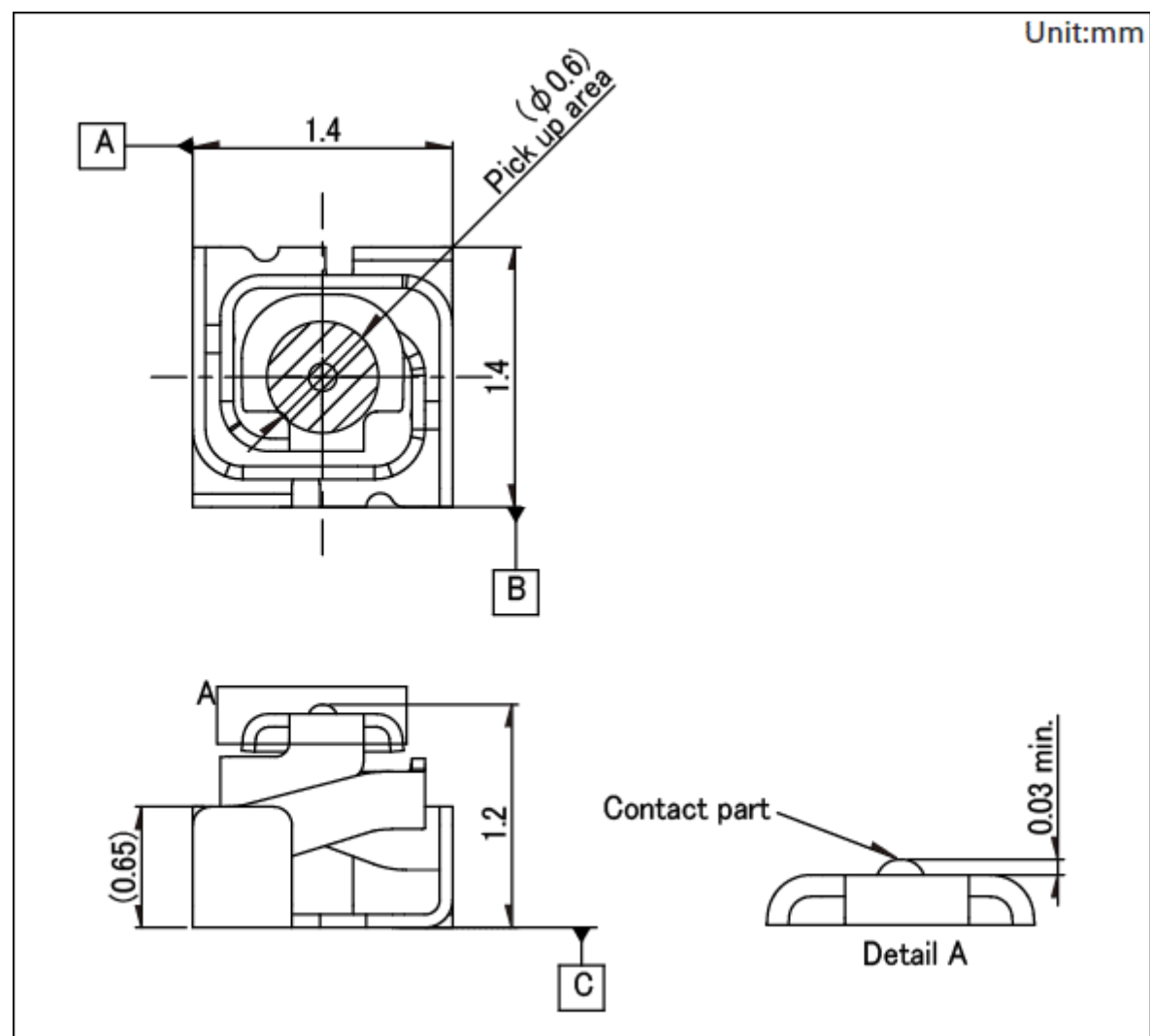


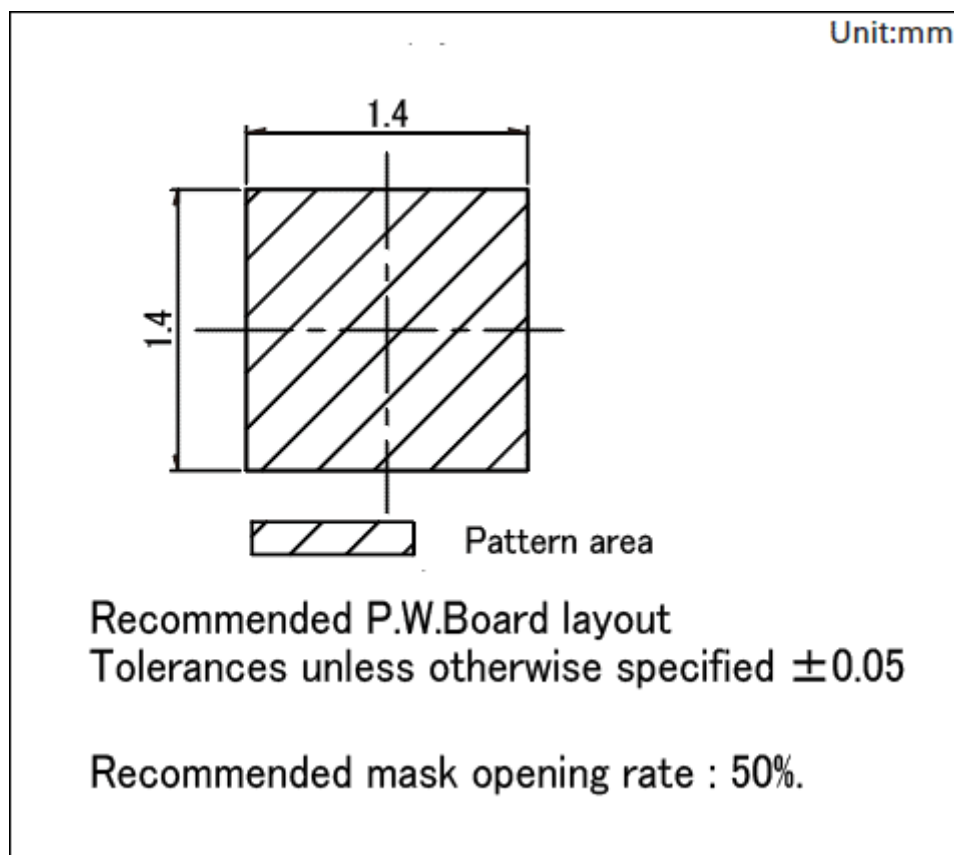
## Spring Contact SCTA\_A Series (Standard Type)

|                              |                              |
|------------------------------|------------------------------|
| Dimensions (W × D)           | 1.4 × 1.4mm                  |
| Height in use                | 0.7 to 1.0mm                 |
| Travel                       | 0.5mm                        |
| Mounting type                | Surface mounting type        |
| Mounting style               | Standard mount               |
| Packing system               | Taping                       |
| Minimum order unit (pcs.)    | 15,000                       |
| Operating temperature range  | -30°C to +85°C               |
| Rated current                | 3A                           |
| Contact resistance (Initial) | Connector contacts 40mΩ max. |
| Stroke Frequency             | 500 times                    |

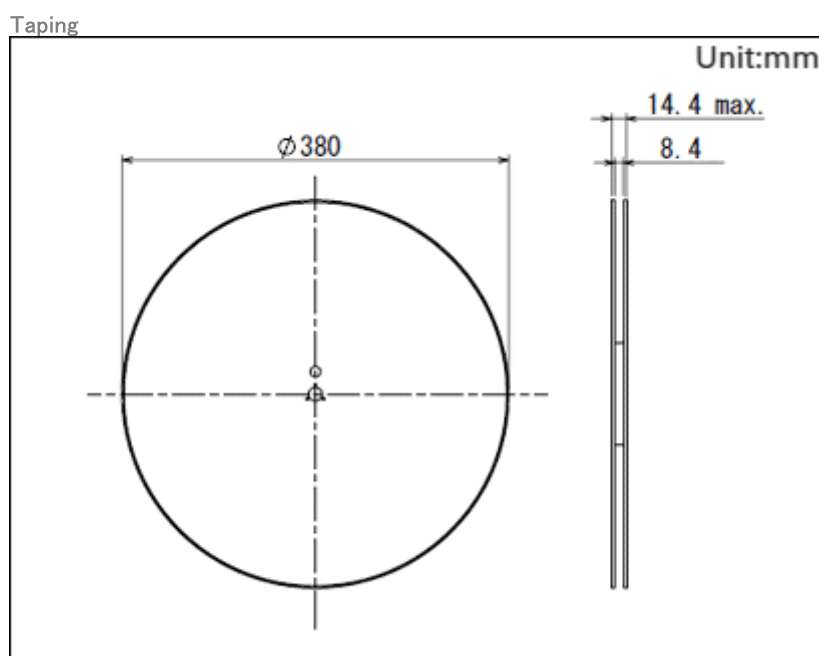
### Dimensions



### Land Dimensions

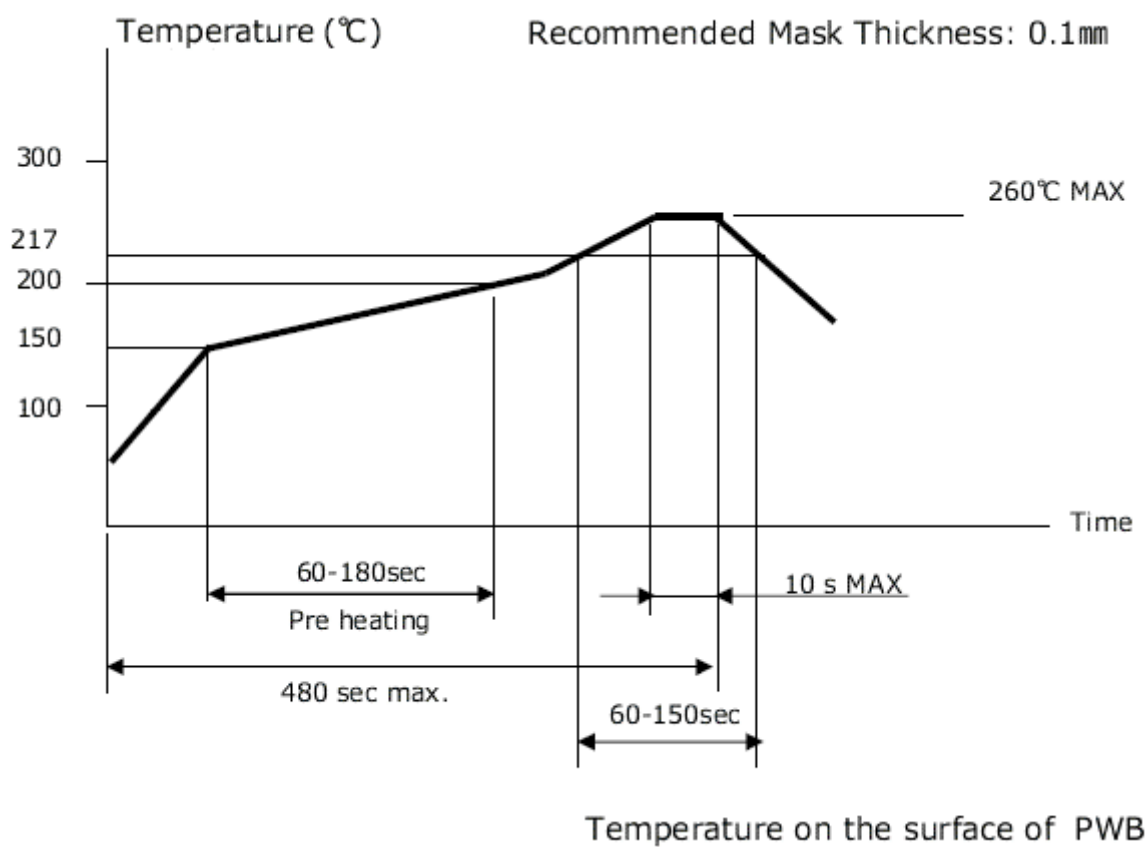


Packing Specifications



|                                  |                         |        |
|----------------------------------|-------------------------|--------|
| Number of packages (pcs.)        | 1 reel                  | 15,000 |
|                                  | 1 case / Japan          | 45,000 |
|                                  | 1 case / export packing | 90,000 |
| Tape width (mm)                  | 8                       |        |
| Export package measurements (mm) | 403 × 403 × 167         |        |

Soldering Conditions



Notes are common to this series/models.

1. This site catalog shows only outline specifications. When using the products, please obtain formal specifications for supply.
2. Please place purchase orders per minimum order unit (integer).