

## Linear Type RDC10 Series

- [Dimensions](#) | [Mounting Hole Dimensions](#) | [Circuit Diagram](#) | [Lever Dimensions](#) | [Linearity](#) |
- [Packing Specifications](#) | [Soldering Conditions](#) | [3D CAD](#) |



Part number  
**RDC1047A03**

- Q [Inquiry](#)
- ☰ [Series Common Info](#)
- 🖨 [Print](#)

Travel		47mm
Mounting method		Horizontal type
Total resistance		10kΩ
Linearity		±0.5%
Operating life		200,000 cycles
Length of lever		4.4mm
Length of terminal		2mm
Operating temperature range		-30°C to +85°C
Mechanical performance	Operating force	0.25N max.
Electrical performance	Total resistance tolerance	±30%
	Rated voltage	5V DC
Environmental test	Cold	-40°C 240h
	Dry heat	90°C 240h

Minimum order unit (pcs.)	Japan	1,000
	Export	2,000

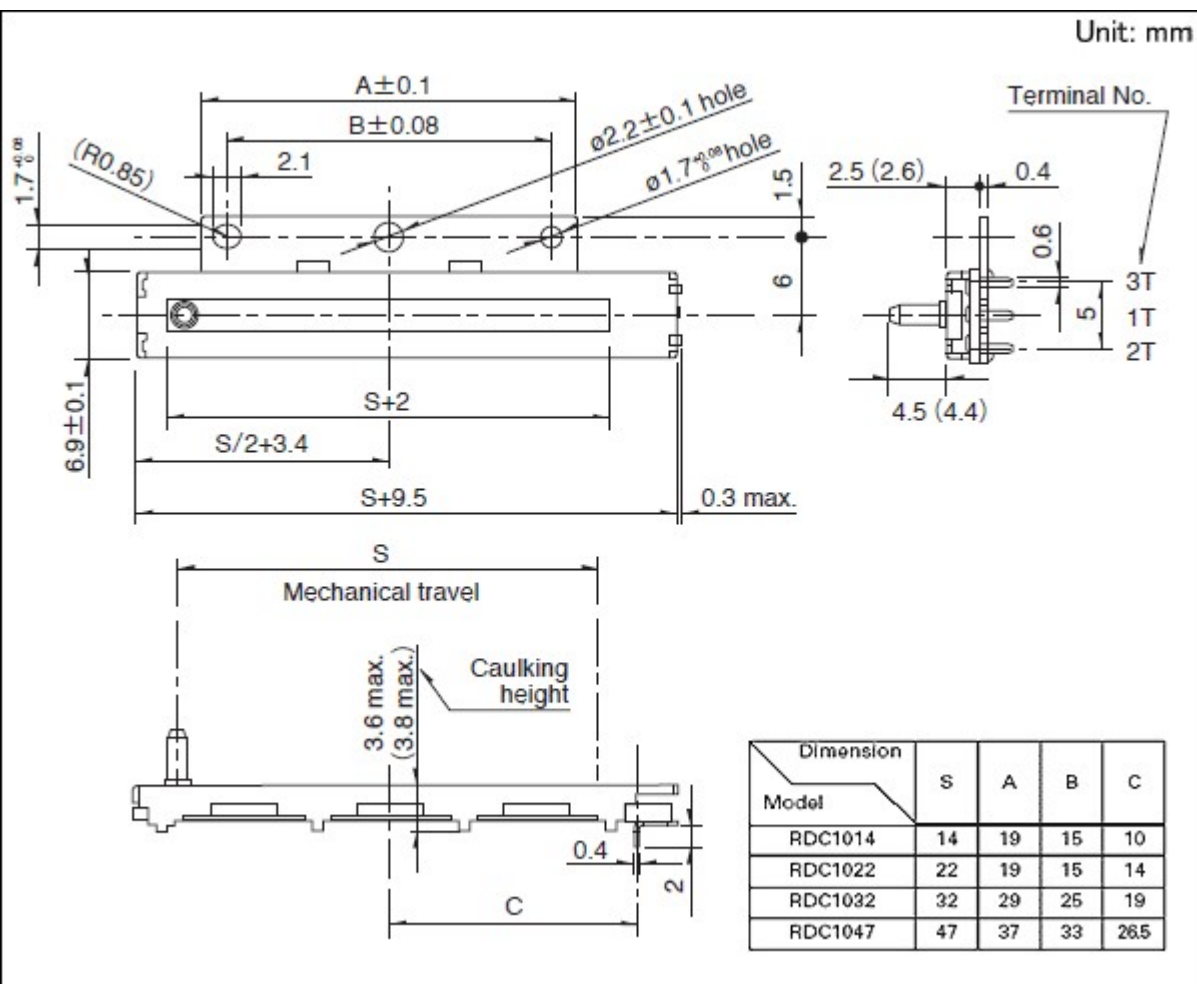
3D CAD (STEP)



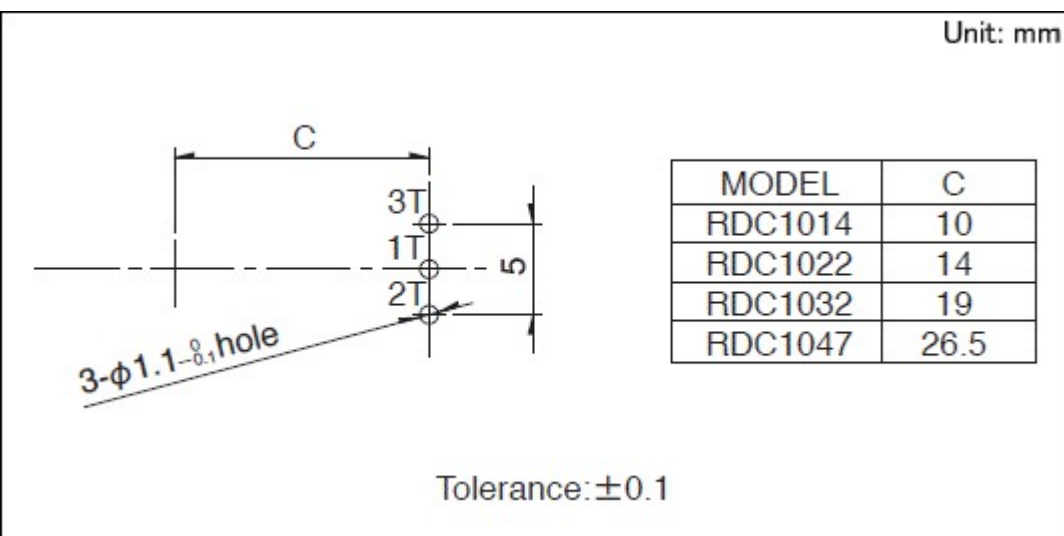
Certificate of Compliance to RoHS regulations



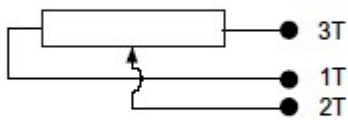
## Dimensions



## Mounting Hole Dimensions



## Circuit Diagram



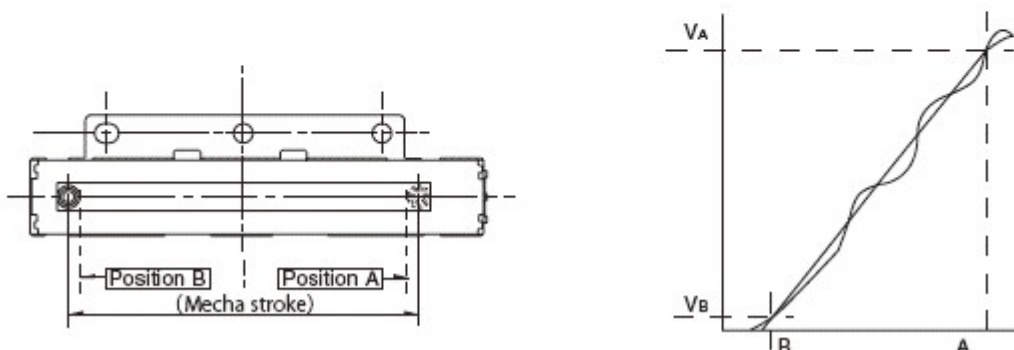
### Lever Dimensions

Unit : mm

<b>Length</b>	<b>4.5</b> <b>(4.4)</b>
<b>Dimensions</b>	

### Linearity

With rated voltage applied between terminals 1 and 3, the straight line which connects the measured output values  $V_B$  and  $V_A$  at specified reference positions B and A is assumed to be an ideal straight line, so that deviation against the ideal straight line when the voltage applied between terminals 1 and 3 is assumed to be 100% can be expressed as a percentage.



### Packing Specifications

Number of packages (pcs.)	1 case / Japan	1,000
	1 case / export packing	2,000
Export package measurements (mm)	374×508×272	

## Soldering Conditions

### Reference for Hand Soldering

Tip temperature	350℃ max.
Soldering time	3s max.

### Notes are common to this series/models.

1. This site catalog shows only outline specifications. When using the products, please obtain formal specifications for supply.
2. Place your purchase order in N minimum package units (N: integer).
3. Ask us for the export packaging unit.
4. Products other than those listed in above products are also available. Please contact us for details.
5. This products can be used in vehicles.  
Although these products are designed to perform over a wide operating temperature range, please ensure that you receive and read the formal delivery specifications before use.

## Inquiries about Products

 [Inquiry](#)