

Rotary Type RD6R1A Series

| Photo | Dimensions | Circuit Diagram | Linearity | Packing Specification |

PRINT

Part number	RD6R1A0008	
Mounting method	Connector type	
Total resistance	3.8kΩ	
Effective electrical angle	320°	
Linearity guarantee range	310°	
Linearity	±2% (320°)	
Hollow shaft variation	φ3.53	
Operating life	500,000 cycles	
Operating temperature range	-40°C to +85°C	
Mechanical performance	Rotational torque	100mN · m
Electrical performance	Total resistance tolerance	±20%
	Rated voltage	5V DC
Environmental test	Cold	-40°C 168h
	Dry heat	85°C 168h
	Damp heat	80°C, 90 to 95%RH 96h
Minimum order unit (pcs.)	Japan	1,800
	Export	1,800

3D CAD (STEP) 

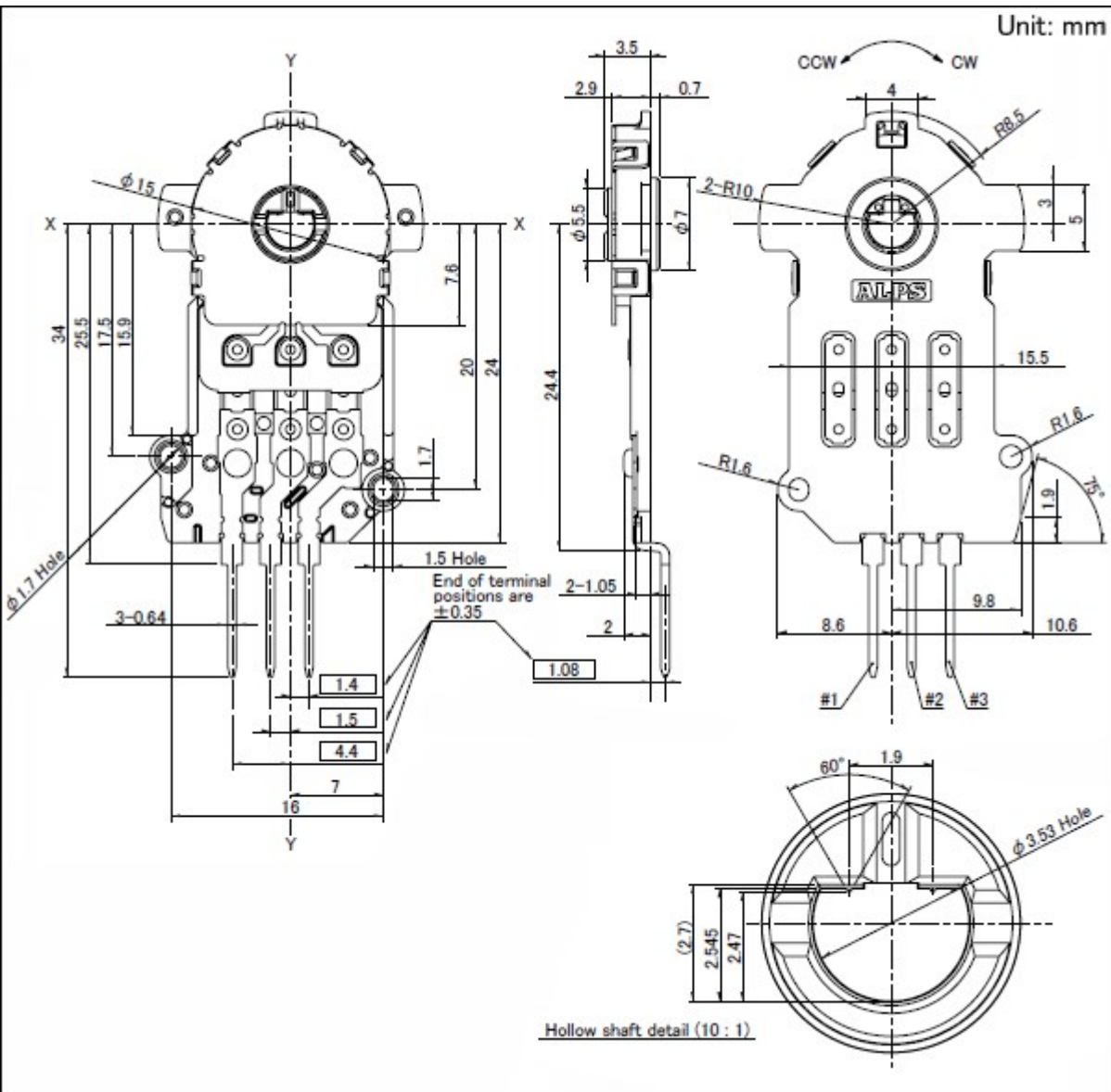
Certificate of Compliance to RoHS regulations 

Photo

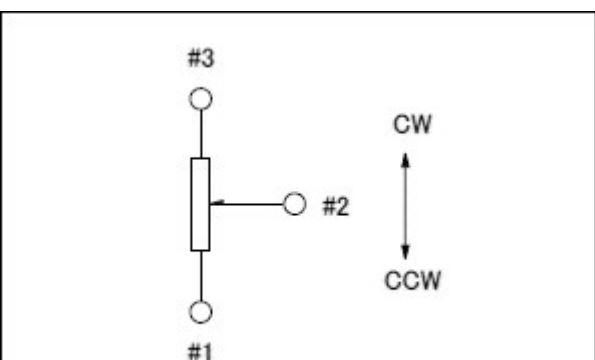




Dimensions

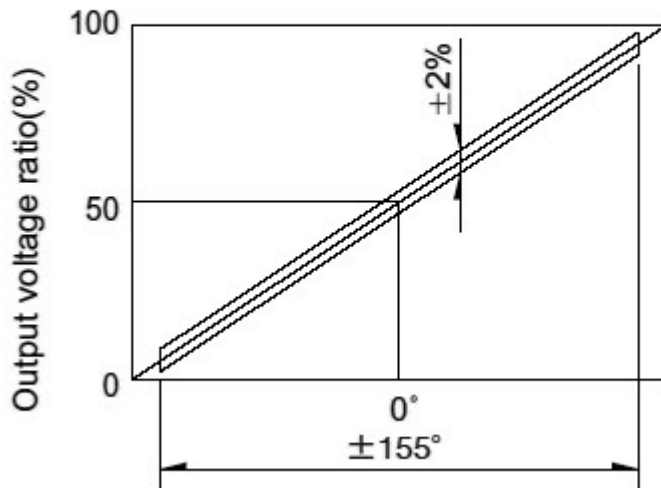


Circuit Diagram



Linearity

1. Reference taper : 100% / 320°
 2. Index point is 50% output point
- The center is in the configuration diagram condition



Packing Specification

Tray

Number of packages (pcs.)	1 case / Japan	1,800
	1 case / export packing	1,800

Export package measurements (mm) 540×360×250

Notes are common to this series/models.

1. This site catalog shows only outline specifications. When using the products, please obtain formal specifications for supply.
2. Place your purchase order in N minimum package units (N: integer).
3. Please ask us about linearity for variable ranges other than 320°.

Inquiries about Products

[▶ Inquiry](#)