

Switch Type Multi Control Device > RKJXW Series > RKJXW2014001

Series Common Info

8-directional Stick Switch (with Encoder / Center-push Function) RKJXW Series

| Photo | Dimensions | Circuit Diagram | Output Relation Chart | Pin Configuration |
 | 8 Direction Codes | Packing Specifications |

PRINT

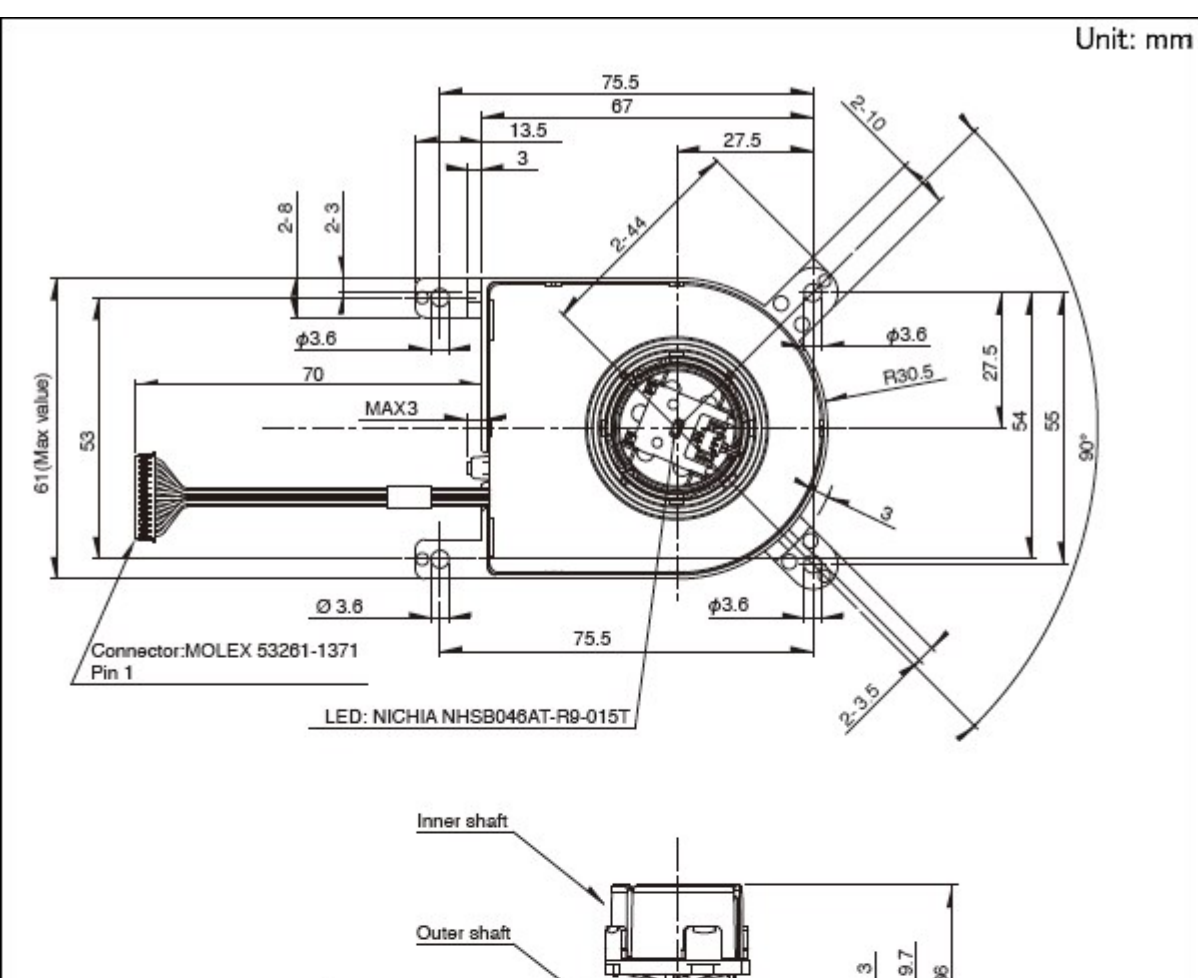
Part number		RKJXW2014001	
Number of operating shafts		Dual-shaft	
Shaft material		Resin	
Stick switches	Contact resistance	1kΩ max.	
	Travel	8-direction	3±1mm (Inner shaft)
		Center-push	1.4±0.5mm (Inner shaft)
Encoder	Detent torque	40±16mN · m	
	Number of detent	30	
	Number of pulse	15	
Operating temperature range		-40°C to +85°C	
Ratings (max.) (Resistive load)		10mA 5V DC	
Electrical performance	Directional resolution	8-direction	
	Encoder resolution	15pulses / 360°	
	Insulation resistance	10MΩ min. 50V DC	
	Voltage proof	60V AC for 2s	
Mechanical performance	Directional operating force	3.5±2N	
	Push operating force	3±1.5N	
	Actuator strength	Push/pull directions	100N (Push), - (Pull)
Operating direction		100N	
Durability	Operating life	Directions	Each direction 30,000 cycles
		Center push	100,000 cycles
		Encoder	30,000 cycles

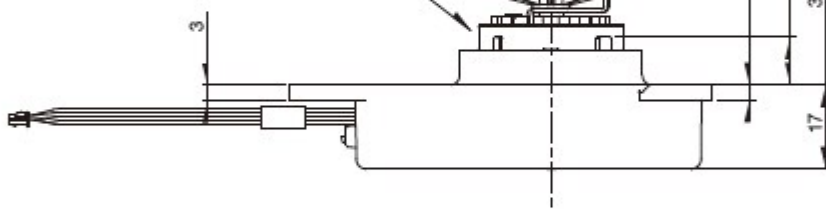
Environmental performance	Cold	-40°C 500h
	Dry heat	85°C 500h
	Damp heat	60°C, 90 to 95%RH 500h
Minimum order unit (pcs.)	Japan	50
	Export	50
3D CAD (STEP)		↓
Certificate of Compliance to RoHS regulations		↓

Photo

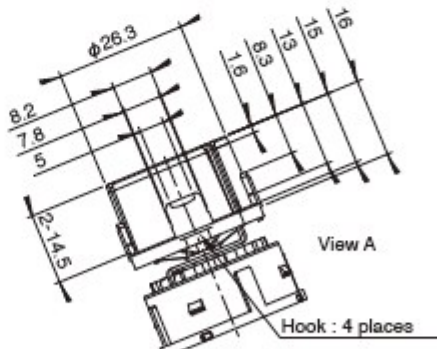
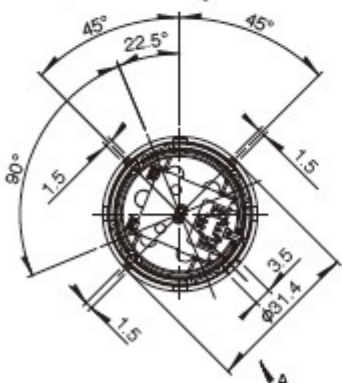


Dimensions

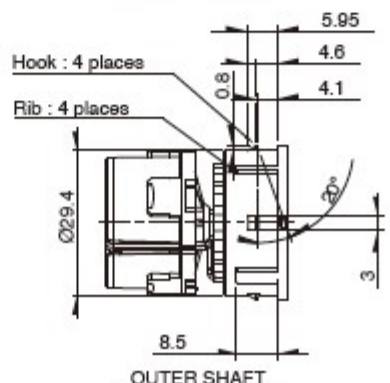




Relative angle of rib and hook of outer shaft

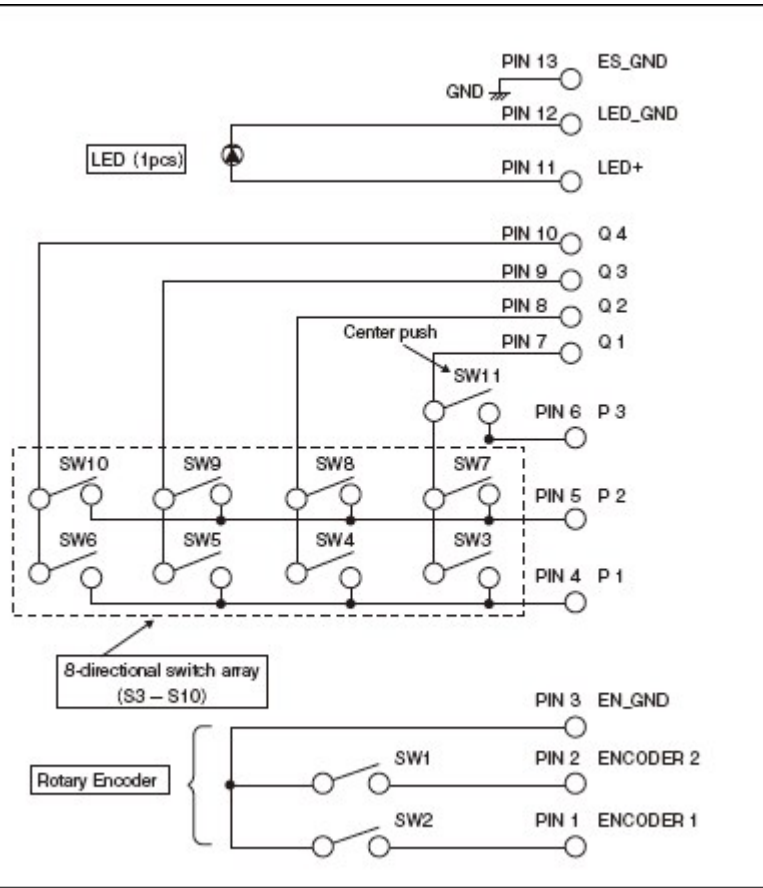


INNER SHAFT



OUTER SHAFT

Circuit Diagram



Output Relation Chart

		Switch No.							
		SW3	SW4	SW5	SW6	SW7	SW8	SW9	SW10
Direction	A	ON	ON	(ON)					(ON)
	A/B	ON	ON	ON					
	B	(ON)	ON	ON	(ON)				
	B/C		ON	ON	ON				
	C		(ON)	ON	ON	(ON)			
	C/D			ON	ON	ON			
	D			(ON)	ON	ON	(ON)		
	D/E				ON	ON	ON		
	E				(ON)	ON	ON	(ON)	
	E/F					ON	ON	ON	
	F					(ON)	ON	ON	(ON)
	F/G						ON	ON	ON
	G	(ON)					(ON)	ON	ON
	G/H	ON						ON	ON
H	ON	(ON)					(ON)	ON	
H/A	ON	ON						ON	

“(ON)” indicates that the switch is either On or Off at the time of the operation.

Discern the direction of operation when two switches are On.
Ignore any additional switches which may be switched On.

Example:

Operation in direction A

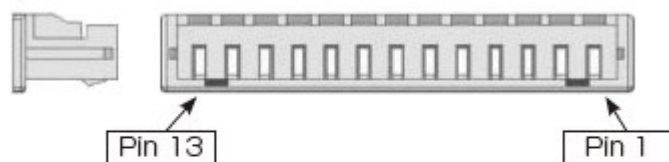
1st signal: S4 On > Standby

2nd signal: S3 On > Discern as direction A

3rd signal: S10 On > Ignore this signal (discern as direction A)

4th signal: S5 On > Ignore this signal (discern as direction A)

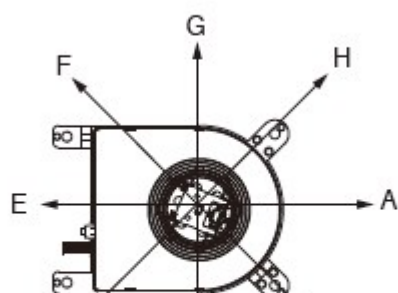
Pin Configuration

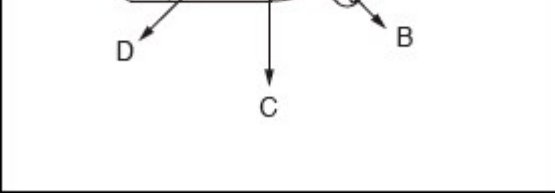


Pin No.

1	Encoder 1	7	Q1
2	Encoder 2	8	Q2
3	Encoder GND	9	Q3
4	P1	10	Q4
5	P2	11	LED+
6	P3	12	LED GND
		13	ES GND

8 Direction Codes





Packing Specifications

Tray

Number of packages (pcs.)	1 case / Japan	50
	1 case / export packing	50

Export package measurements (mm)	420×370×225
----------------------------------	-------------

Notes are common to this series/models.

1. This site catalog shows only outline specifications. When using the products, please obtain formal specifications for supply.
2. Please place purchase orders per minimum order unit (integer).
3. This products can be used in vehicles.
Although these products are designed to perform over a wide operating temperature range, please ensure that you receive and read the formal delivery specifications before use.

Inquiries about Products

 [Inquiry](#)