

Lever and Push Operation Type SLLB Series

| Dimensions | Land Dimensions | Circuit Diagram | Code Table | Packing Specifications |
 | Soldering Condition |

PRINT

Part number		SLLB120200	
Number of operating shafts		Single-shaft	
Shaft material		Resin	
Actuator configuration		Standard type Mounting knob integrated	
Push-on switch		With	
Operating force	Lever portion	0.65±0.3N	
	Push portion	2±1N	
Travel (Center push)		Refer to the dimensions	
Lever color of operating section		Gray	
Location lug		With	
Operating temperature range		-40°C to +85°C	
Ratings (max.)/(min.) (Resistive load)		10mA 5V DC/50µA 3V DC	
Electrical performance	Output voltage	1V max. at 1mA 5V DC (Resistive load)	
			
	Directional resolution	2-direction	
	Insulation resistance	100MΩ min. 100V DC	
	Voltage proof	100V AC for 1 minute	
Mechanical performance	Terminal strength	3N for 1 minute	
	Actuator strength	Push/pull directions	50N
		Operating direction	10N
Durability	Operating life without load	100,000 cycles	

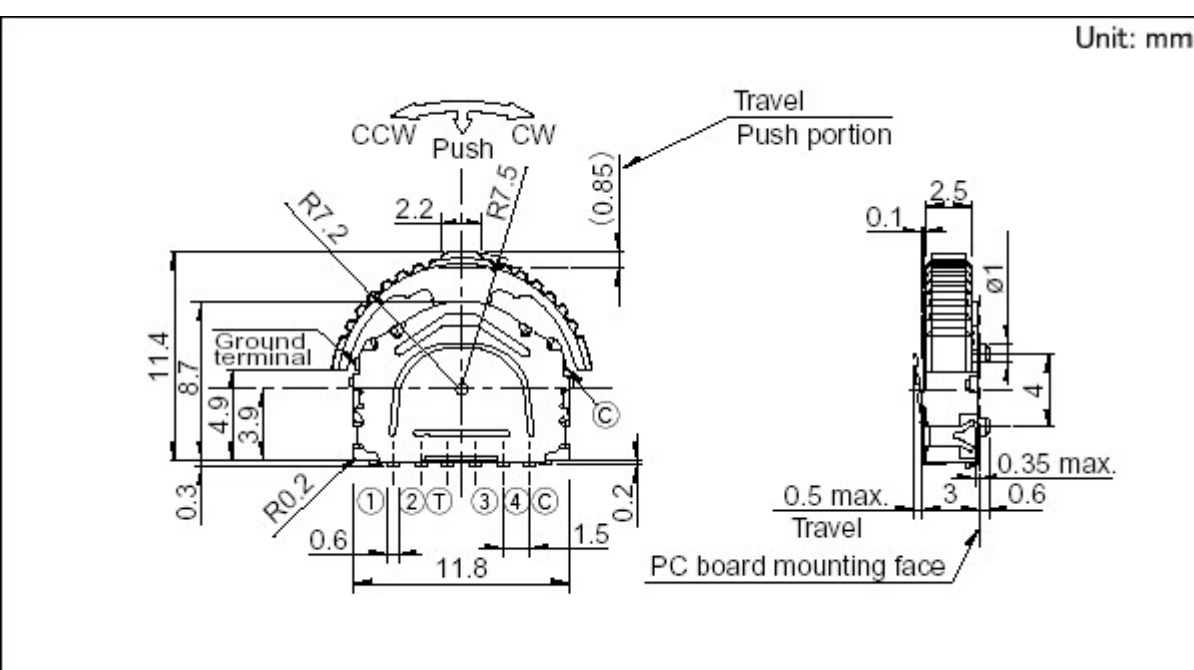
Operating life with load (Load: as ratings) 100,000 cycles (10mA 5V DC)

Environmental performance	Cold	-40±2°C for 96h
	Dry heat	85±2°C for 96h
	Damp heat	40±2°C, 90 to 95%RH for 96h
Minimum order unit (pcs.)	Japan	1,350
	Export	5,400

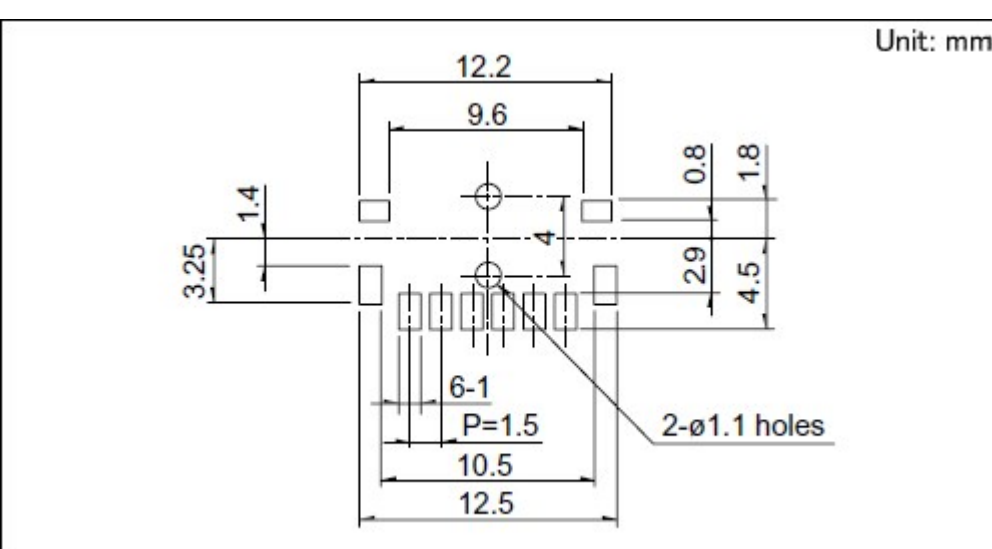
3D CAD (STEP) [↓](#)

Certificate of Compliance to RoHS regulations [↓](#)

Dimensions

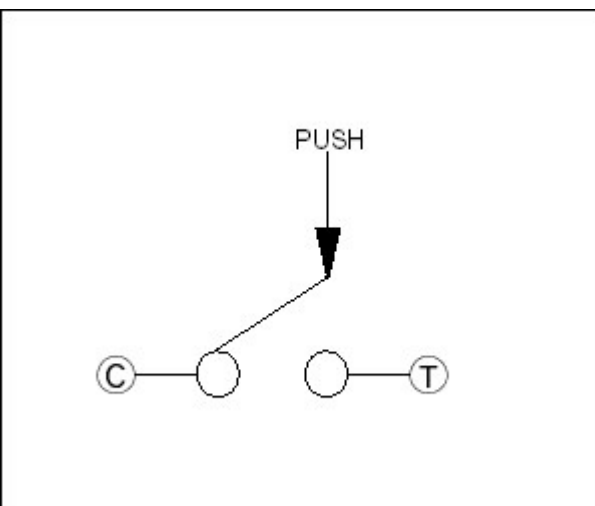


Land Dimensions



Viewed from mounting face.

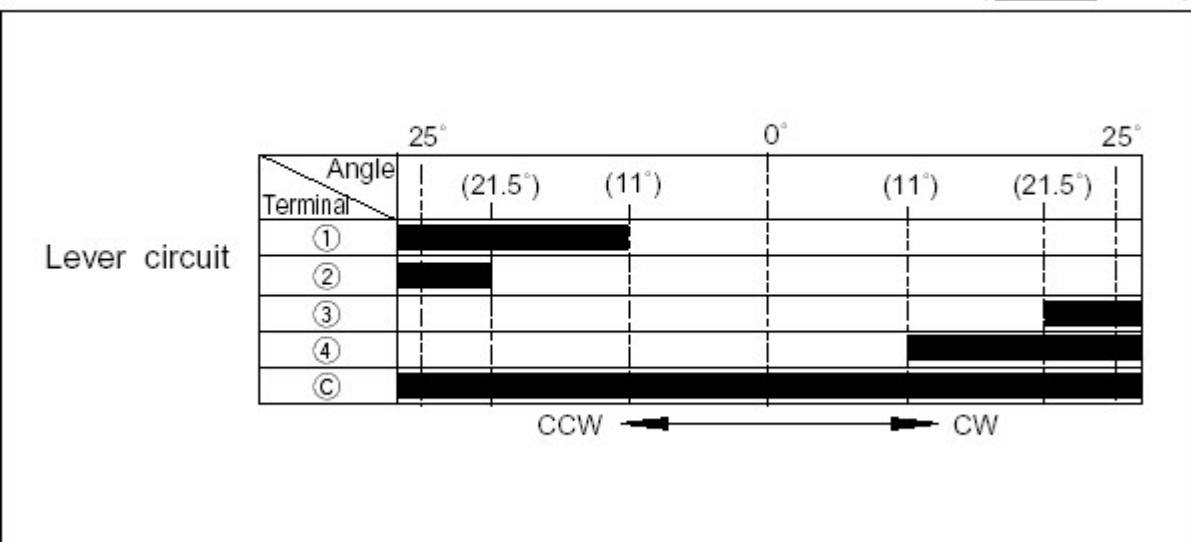
Circuit Diagram



Push portion.

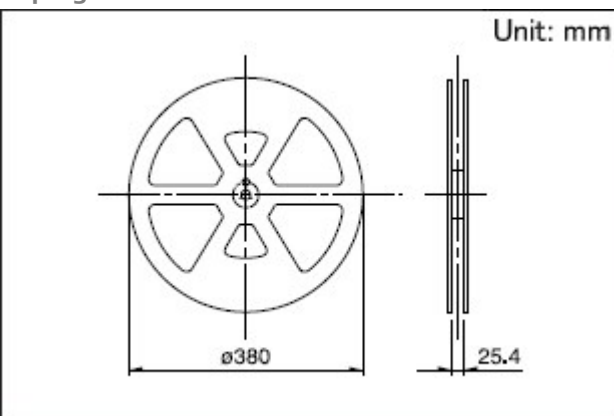
Code Table

Code table (= ON)



Packing Specifications

Taping



Number of packages 1 reel 1,350
(pcs.)

1 case / Japan 2,700

1 case / export 5,400

Tape width (mm)	24
Export package measurements (mm)	428×413×172

Soldering Condition

Example of Reflow Soldering Condition

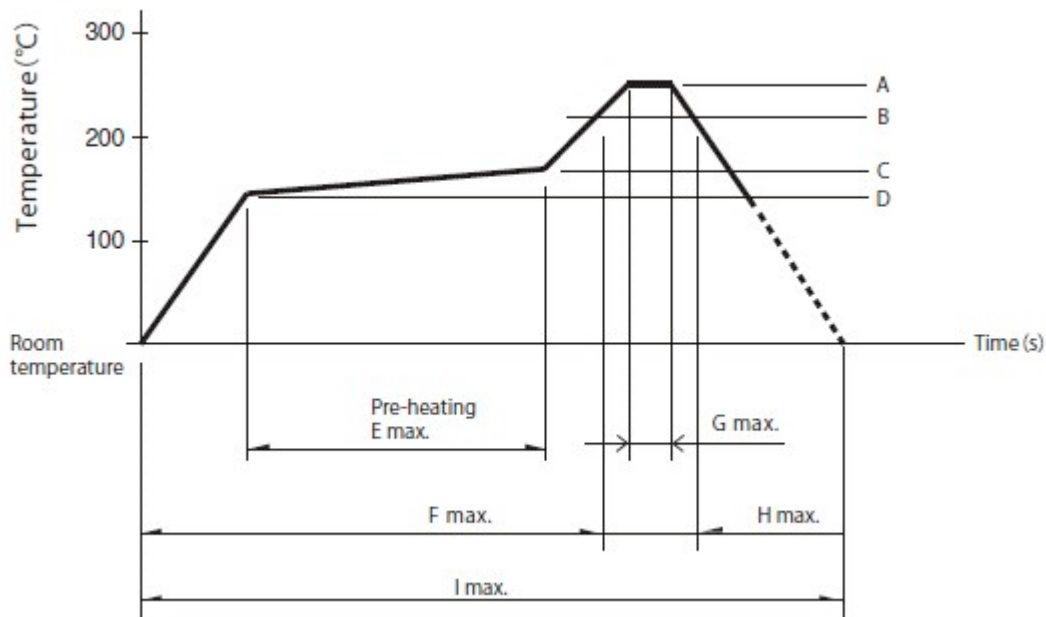
1. Heating method:

Double heating method with infrared heater.

2. Temperature measurement:

Thermocouple 0.1 to 0.2 Φ CA (K) or CC (T) at solder joints (copper foil surface). A heat resisting tape should be used to fix thermocouple.

3. Temperature profile



A	B	C	D	E	F	G	H	I	No. of reflows
260°C	230°C	180°C	150°C	2 min.	-	-	40s	-	1 time

(1) The condition mentioned above is the temperature on the mounting surface of a PC board. There are cases where the PC board's temperature greatly differs from that of the switch, depending on the PC board's material, size, thickness, etc. The above-stated conditions shall also apply to switch surface temperatures.

(2) Soldering conditions differ depending on reflow soldering machines. Prior verification of soldering condition is highly recommended.

Reference for Hand Soldering

Tip temperature	350±5°C
Soldering time	3s max.
No. of solders	1 time

1. This site catalog shows only outline specifications. When using the products, please obtain formal specifications for supply.
2. Please place purchase orders for taping products per minimum order unit (1 reel or a case).
3. Products other than those listed in the above chart are also available. Please contact us for details.
4. Please contact us for automotive use products.

Inquiries about Products

 **Inquiry**