



**FEATURES:50**

- Efficiency up to 90%
- Ultra-wide 4:1 Input range
- No-load consumption  $\leq 0.15W$
- Over Current protection
- Input under voltage lockout
- On/Off Remote Control
- Over Voltage Protection
- I/Output Isolation 1500, 2250 & 3000VDC
- Operating Temperature:  $-40^{\circ}C$  to  $+85^{\circ}C$
- Continuous Short Circuit protection

**Models**  
**Single output**



Model	Input Voltage (V)	Max Input Current Full/No load (mA)	Output Voltage (V)	Output Current max (mA)	Isolation (VDC)	Max Capacitive Load (uF)	Efficiency (%)
AM20EW-2403S-NZ	9-36	818/45	3.3	5000	1500	10000	86
AM20EW-2405S-NZ	9-36	993/45	5	4000	1500	10000	90
AM20EW-2409S-NZ	9-36	941/10	9	2222	1500	4700	89
AM20EW-2412S-NZ	9-36	941/10	12	1667	1500	1600	89
AM20EW-2415S-NZ	9-36	941/10	15	1333	1500	1000	90
AM20EW-2424S-NZ	9-36	941/10	24	834	1500	500	90
AM20EW-4803S-NZ	18-75	409/25	3.3	5000	1500	10000	86
AM20EW-4805S-NZ	18-75	497/25	5	4000	1500	10000	90
AM20EW-4809S-NZ	18-75	485/9	9	2222	1500	4700	89
AM20EW-4812S-NZ	18-75	485/9	12	1667	1500	1600	89
AM20EW-4815S-NZ	18-75	485/9	15	1333	1500	1000	90
AM20EW-4824S-NZ	18-75	485/9	24	834	1500	500	90
AM20EW-11005S-NZ	40-160	212/20	5	4000	1500	4020	89
AM20EW-11009S-NZ	40-160	212/20	9	2222	1500	2200	88
AM20EW-11012S-NZ	40-160	212/20	12	1667	1500	1600	88
AM20EW-11015S-NZ	40-160	212/20	15	1333	1500	1000	88
AM20EW-11024S-NZ	40-160	212/20	24	833	1500	470	88
AM20EW-11003SH22-NZ	40-160	188/20	3.3	5000	2250	10000	82
AM20EW-11005SH22-NZ	40-160	222/20	5	4000	2250	10000	84
AM20EW-11012SH22-NZ	40-160	219/8	12	1667	2250	1600	85
AM20EW-11015SH22-NZ	40-160	219/8	15	1333	2250	1000	86
AM20EW-11024SH22-NZ	40-160	219/8	24	833	2250	470	86
AM20EW-2403SH30-NZ	9-36	818/45	3.3	5000	3000	10000	86
AM20EW-2405SH30-NZ	9-36	958/45	5	4000	3000	10000	89
AM20EW-2409SH30-NZ	9-36	967/12	9	2222	3000	4700	88
AM20EW-2412SH30-NZ	9-36	967/12	12	1667	3000	1600	88
AM20EW-2415SH30-NZ	9-36	967/12	15	1333	3000	1000	89
AM20EW-2424SH30-NZ	9-36	967/12	24	834	3000	500	89
AM20EW-4803SH30-NZ	18-75	409/25	3.3	5000	3000	10000	86
AM20EW-4805SH30-NZ	18-75	484/25	5	4000	3000	10000	88
AM20EW-4812SH30-NZ	18-75	484/8	12	1667	3000	1600	88
AM20EW-4815SH30-NZ	18-75	484/8	15	1333	3000	1000	89
AM20EW-4824SH30-NZ	18-75	484/8	24	834	3000	500	89

**Models**  
**Dual output**

Model	Input Voltage (V)	Max Input current Full/No load (mA)	Output Voltage (V)	Output Current max (mA)	Isolation (VDC)	Max Capacitive Load(uF)	Efficiency (Typ.) (%)
AM20EW-2405D-NZ	9-36	993/45	$\pm 5$	$\pm 2000$	1500	$\pm 4800$	86
AM20EW-2409D-NZ	9-36	941/10	$\pm 9$	$\pm 1111$	1500	$\pm 1000$	88
AM20EW-2412D-NZ	9-36	941/10	$\pm 12$	$\pm 834$	1500	$\pm 800$	88
AM20EW-2415D-NZ	9-36	941/10	$\pm 15$	$\pm 667$	1500	$\pm 625$	88

AM20EW-4805D-NZ	18-75	497/25	±5	±2000	1500	±4800	86
AM20EW-4812D-NZ	18-75	485/9	±12	±834	1500	±800	88
AM20EW-4815D-NZ	18-75	485/9	±15	±667	1500	±625	89
AM20EW-11012DH30-NZ	40-160	217/8	±12	±833	3000	±680	85
AM20EW-11015DH30-NZ	40-160	217/8	±15	±667	3000	±470	86
AM20EW-11024DH30-NZ	40-160	217/8	±24	±417	3000	±220	86

Add suffix “-K” for optional heat sink for metal cased 1500VDC isolated models only.

\*Add suffix “-ST” for optional screw terminal bottom plate or “-STD” for optional DIN Rail screw terminal bottom plate and reverse voltage protection.

\*\*Add suffix “-K” for optional heatsink preinstalled on metal cased models, “-K-ST” for optional heatsink and screw terminal bottom plate or “-K-STD” for optional heatsink and DIN Rail screw terminal bottom plate and reverse voltage protection.

NOTE: All specifications in this datasheet are measured at an ambient temperature of 25°C, humidity<75%, nominal input voltage and at rated output load unless otherwise specified.

## Input Specifications

Parameters	Nominal	Typical	Maximum	Units
Voltage range	24	9-36		VDC
	48	18-75		
	110	40-160		
Filter	π(Pi) Network			
Startup time		10		ms
Absolute Maximum Rating	24		-0.7-50	VDC
	48		-0.7-100	
	110		-0.7-180	
Peak Input Voltage time			1	s
On/Off control	ON – open or 3.5-12VDC ; OFF – short to -Vin or 0-1.2VDC, Idle current: 110Vin 1500 isolated models - 1mA; Others - 2~7mA			
Input under voltage lockout	24		5.5-6.5	VDC
	48		14-15.5	
Input reflected current	110V, 2250V & 3000V Isolation	30	28-33	mA

## Isolation Specifications

Parameters	Conditions	Typical	Maximum	Units
Tested I/O voltage	60 sec, 1mA	1500, 2250 & 3000		VDC
Tested I/FG & O/FG voltage	2250V Isolation models, 60 sec, 1mA	1600		VDC
	110Vin 3000V isolation models, 60sec, 1mA	1500		
Resistance	500VDC I/O Isolation	>1000		MOhm
Capacitance	1500VDC models 100KHz/0.1V	2000		pF
	110Vin 2250V & 3000V Isolation, I/O, 100KHz/0.1V	2200		
	3000VDC models 100KHz/0.1V	500		

## Output Specifications

Parameters	Conditions	Typical	Maximum	Units
Voltage accuracy	110Vin, 3000V isolation, positive output	±1	±2	%
	Others	±1	±3	
Balanced load		±0.5	±1.5	%
Over voltage protection	Zener Diode Clamp	110	160	%
Over current protection		120	210	% of Io
Short Circuit protection	Continuous, hiccup			
Short circuit restart	Auto-Recovery			
Line voltage regulation (single)	Full load, LL-HL	±0.2	±0.5	% of Vin
Line voltage regulation (dual)	110Vin, 3000V isolation, positive output	±0.2	±0.5	% of Vin
	Full load, LL-HL	±0.5	±1	
Load voltage regulation (single)	5% to 100% load for 1500VDC models & 0% to 100% load for others	±0.5	±1	%
Load voltage regulation (dual)	110Vin, 3000V isolation, positive output	±0.5	±1	%
	5% to 100% load	±0.5	±1.5	

Cross regulation	50% 1 <sup>st</sup> load, 10-100% 2 <sup>nd</sup> load		±5	%
Temperature coefficient			±0.03	%/°C
Ripple & Noise	20MHz Bandwidth, 5% to 100% load		100	mV p-p
Voltage adjustment range			±10	%
Transient recovery time	25% load step change, 2250V/3000V isolation		500	μS
	25% load step change, others		800	
Transient recovery deviation	25% load step change: 3.3, 5, ±5Vout	±5	±8	%
	25% load step change: others	±3	±5	

## General Specifications

Parameters	Conditions	Typical	Maximum	Units
Switching frequency	100% load, 24 & 48 Vin 100% load, 110Vin	270 300		KHz
Operating temperature	See derating curve		-40 to +85	°C
Storage temperature			-55 to +125	°C
Maximum case temperature			105	°C
Cooling		Free air convection		
Humidity			95	% RH
Case material	24/48Vin, 3000VDC models Other models		Plastic (UL94-V0) Aluminum Alloy	
Dimensions (L x W x H)	Aluminium case Plastic case Optional packages	2 x 1 x 0.47 inches 2.03 x 1.04 x 0.47 inches See dimensions drawing	50.8 x 25.4 x 11.8 mm 51.5 x 26.5 x 12 mm	
Weight	Pin mountable without heatsink	28 (110Vin, 1500VDC Isolated models) 26 (Other metal case models) 24 (3000VDC Isolated models)		g
	Pin mountable with heatsink	36 (110Vin, 1500VDC Isolated models) 34 (Other metal case models) 32 (3000VDC Isolated models)		
	-ST option without heatsink	50 (110Vin, 1500VDC Isolated models) 48 (Other metal case models) 46 (3000VDC Isolated models)		
	-ST option with heatsink	58 (110Vin, 1500VDC Isolated models) 56 (Other metal case models) 54 (3000VDC Isolated models)		
	-STD option without heatsink	70 (110Vin, 1500VDC Isolated models) 68 (Other metal case models) 66 (3000VDC Isolated models)		
	-STD option with heatsink	78 (110Vin, 1500VDC Isolated models) 76 (Other metal case models) 74 (3000VDC Isolated models)		
MTBF		>1,000,000 hours (MIL-HDBK -217F, Ground Benign, t=+25°C)		
Maximum soldering temperature	1.5mm from case for 10 sec		300	°C

## Environment Specification

Test	Parameters	Conditions
Vibration	Test mode	10-55Hz
	Acceleration	10g, 30min, every axis tested
Vibration (110 Vin/2250VDC isolation)	IEC61373 car body 1 B mold	

## Safety Specifications

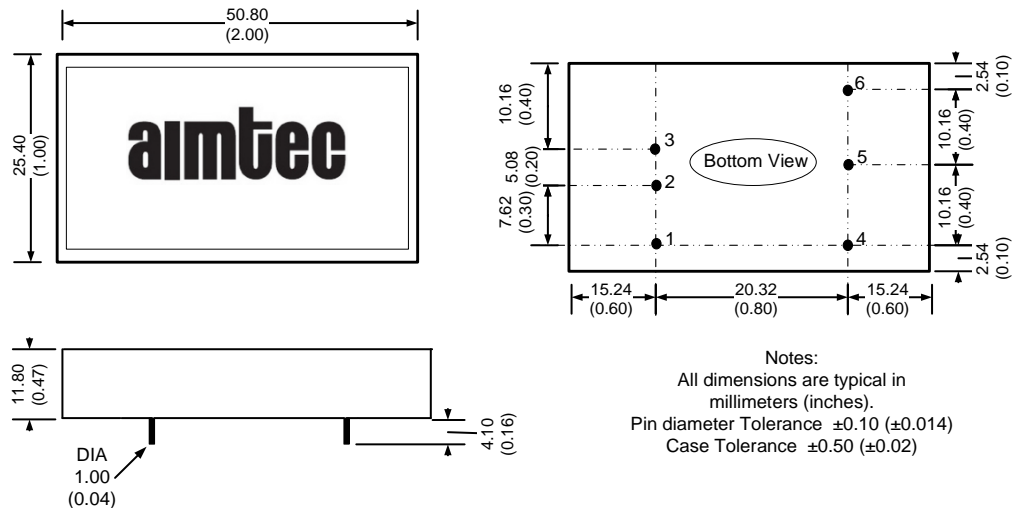
Parameters	
Agency approvals	cULus (without 110Vin models) , CE (110Vin models only)
Standards	EN 55022, Class B, with external filter & EN 55024: 2010, EN 50121-3-2, 150kHz-500kHz 99dBuV, 30MHz-230MHz 40dBuV/m at 10m (110Vin, 2250VDC models approved) (110Vin, 3000 VDC models meet)
	EN 55016-2-1, 500kHz-30MHz 93dBuV, 230MHz-1GHz 47dBuV/m at 10m (110Vin, 2250VDC models approved) (110Vin, 3000 VDC models meet)
Information technology Equipment	IEC/UL 60950-1

Railway application	EN50155 (110Vin, 2250VDC models approved) (110Vin, 3000 VDC models meet)
Electrostatic Discharge Immunity	IEC 61000-4-2, Contact $\pm 6\text{KV}$ (110Vin 2250/3000VDC Isolation), Contact $\pm 4\text{KV}$ (Others), Criteria B EN50121-3-2, Contact $\pm 6\text{KV}/\text{Air } \pm 8\text{KV}$ (110Vin 2250/3000VDC Isolation), Criteria B
RF, Electromagnetic Field Immunity	IEC 61000-4-3, 10V/m, 20V/m (110Vin 3000VDC isolation), Criteria A EN50121-3-2, 20V/m (110Vin 2250/3000VDC Isolation), Criteria A
Electrical Fast Transient / Burst Immunity	IEC 61000-4-4, $\pm 4\text{KV}$ (110Vin 2250/3000 VDC Isolation), $\pm 2\text{KV}$ (Others), Criteria B, with external filter EN50121-3-2, $\pm 2\text{KV}$ (110Vin 2250/3000VDC Isolation), Criteria A
Surge Immunity	IEC 61000-4-5, $\pm 2\text{KV}$ , Criteria B, with external filter EN50121-3-2, L-L $\pm 1\text{KV}$ (110Vin 2250/3000VDC Isolation), Criteria B
RF, Conducted Disturbance Immunity	IEC 61000-4-6, 10 Vrms (2250/3000 VDC Isolated models), 3Vrms (Others), Criteria A EN50121-3-2, 0.15MHz ~ 80MHz, 10 Vrms (110Vin 2250/3000VDC Isolation), Criteria B
Voltage dips, Short Interruptions & Voltage variations Immunity	IEC 61000-4-29, 0-70%, Criteria B

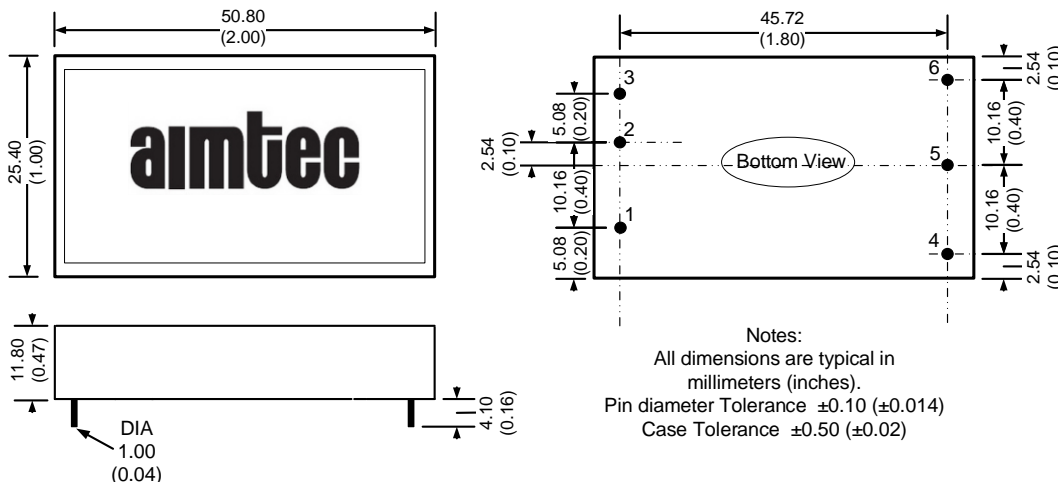
### Pin Out Specifications

Pin	Single	Dual
1	On/Off Control	On/Off Control
2	-Vin	-Vin
3	+Vin	+Vin
4	-Vout	-Vout
5	Trim	Common
6	+Vout	+Vout

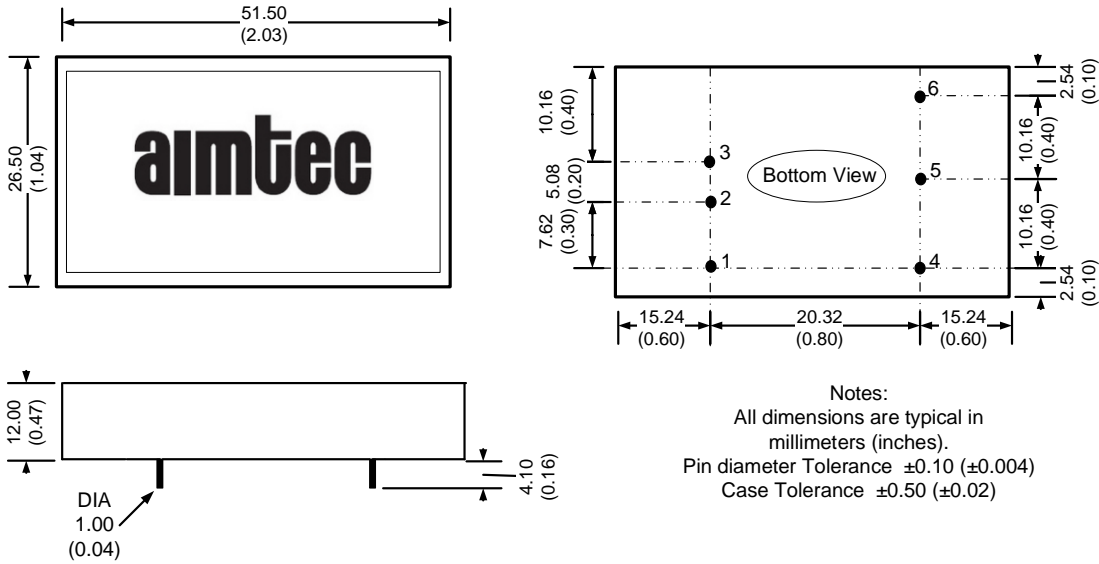
### Dimensions metal case



### Dimensions metal case for 110Vin 3000V isolation dual output models

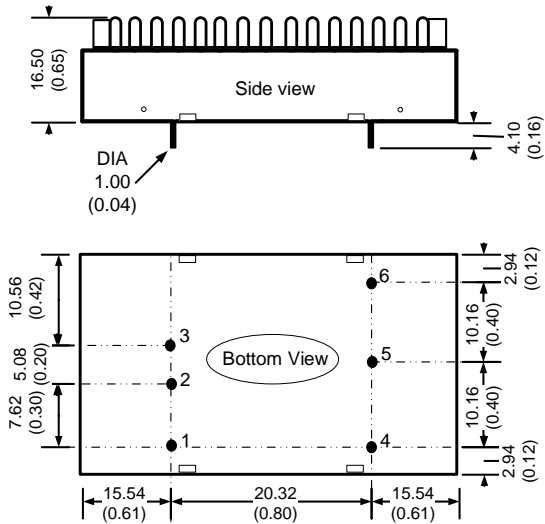


**Dimensions plastic case**



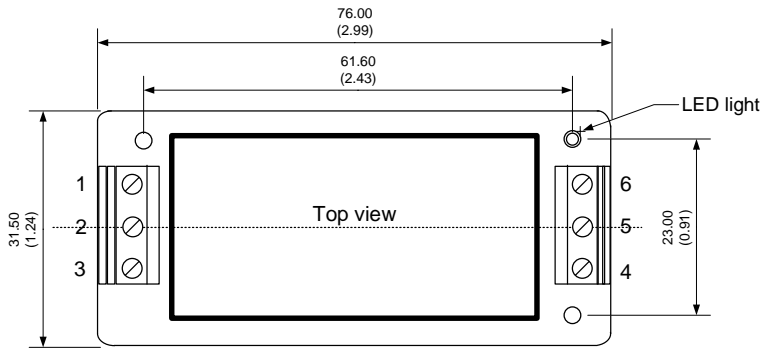
Notes:  
All dimensions are typical in millimeters (inches).  
Pin diameter Tolerance  $\pm 0.10$  ( $\pm 0.004$ )  
Case Tolerance  $\pm 0.50$  ( $\pm 0.02$ )

**Optional -K heatsink**

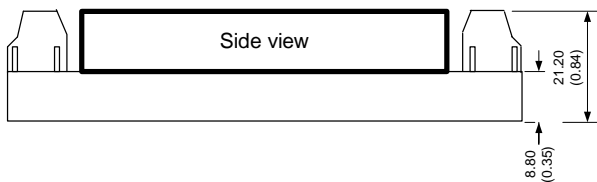


Notes:  
All dimensions are typical in millimeters (inches).  
Pin diameter Tolerance:  $\pm 0.10$  ( $\pm 0.004$ )  
Case Tolerance:  $\pm 0.50$  ( $\pm 0.02$ )

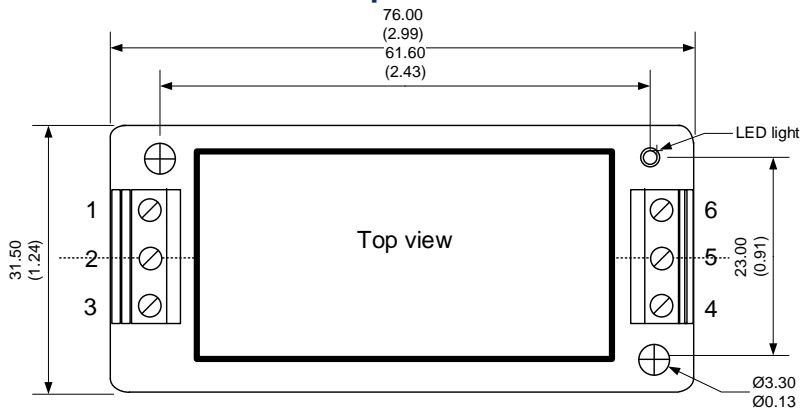
**Dimensions with -ST options**



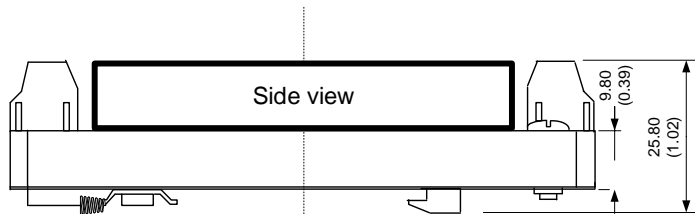
Dimensions: mm (inch)  
Case Tolerance:  $\pm 0.50$  (0.02)  
Wire gauge: 24-12AWG



**Dimensions with -STD options**



Dimensions: mm (inch)  
Case Tolerance:  $\pm 1.00$  (0.04)  
Wire gauge: 24-12AWG



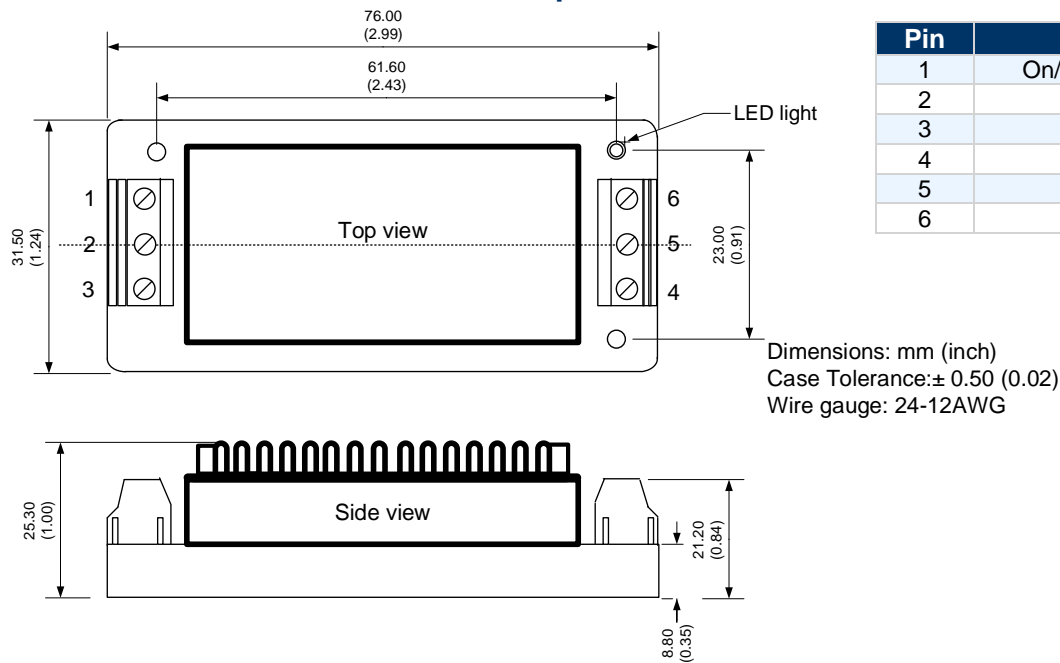
**Pin Out Specifications**

Pin	Single	Single
1	On/Off Control	On/Off Control
2	-Vin	-Vin
3	+Vin	+Vin
4	+ Vout	+ Vout
5	Trim	Common
6	- Vout	- Vout

**Pin Out Specifications**

Pin	Single	Single
1	On/Off Control	On/Off Control
2	-Vin	-Vin
3	+Vin	+Vin
4	+ Vout	+ Vout
5	Trim	Common
6	- Vout	- Vout

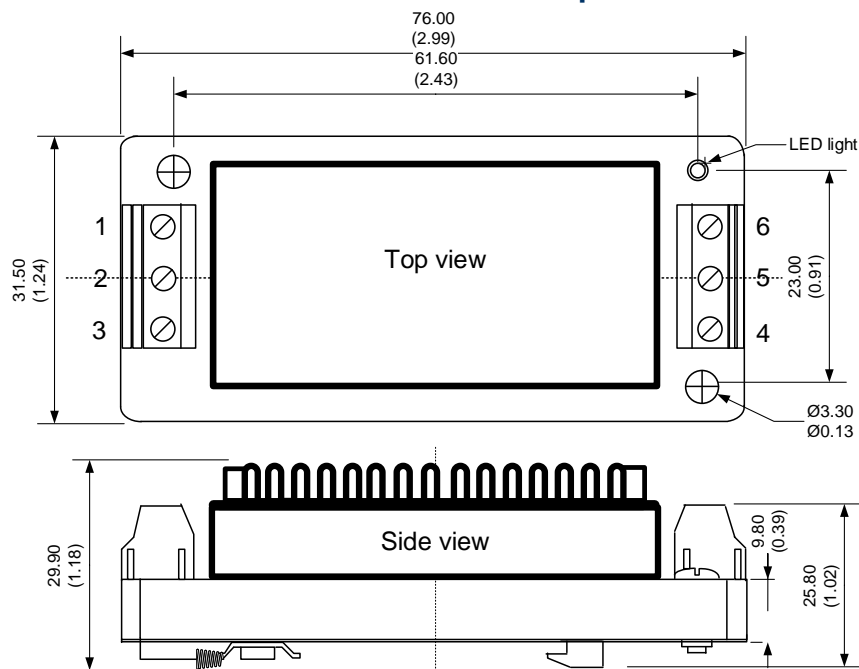
**Dimensions with heatsink and -ST options**



**Pin Out Specifications**

Pin	Single	Single
1	On/Off Control	On/Off Control
2	-Vin	-Vin
3	+Vin	+Vin
4	+Vout	+Vout
5	Trim	Common
6	-Vout	-Vout

**Dimensions with heatsink and -STD options**



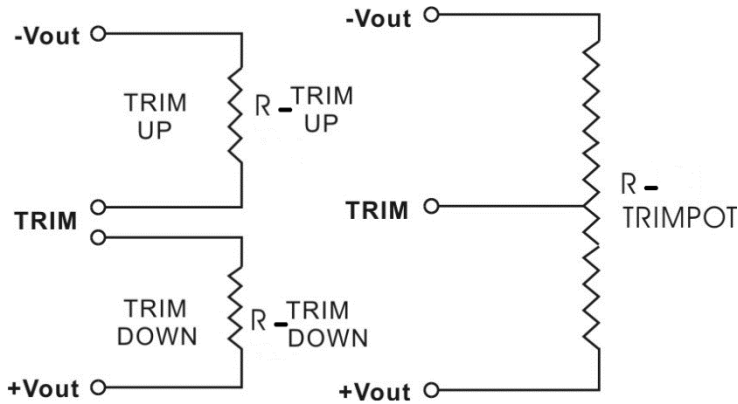
**Pin Out Specifications**

Pin	Single	Single
1	On/Off Control	On/Off Control
2	-Vin	-Vin
3	+Vin	+Vin
4	+Vout	+Vout
5	Trim	Common
6	-Vout	-Vout

## Trimming

Output voltage can be externally trimmed by utilizing the methods as shown below

### Fixed Resistor      Variable Potentiometer



Leave open if not used.

AM20EW-xx03S-NZ, xx=24 or 48

Trim down %	1	2	3	4	5	6	7	8	9	10
Vout (VDC)	3.27	3.23	3.2	3.17	3.14	3.1	3.07	3.04	3	2.97
Rt down (KΩ)	124.138	73.217	53.983	41.497	32.737	24.449	19.839	16.148	12.236	9.856
Trim up %	1	2	3	4	5	6	7	8	9	10
Vout (VDC)	3.33	3.37	3.4	3.43	3.47	3.5	3.53	3.56	3.6	3.63
Rt up (KΩ)	-556.59	194.738	89.364	55.050	34.131	25.350	19.357	15.006	10.773	8.367

AM20EW-11003SH22-NZ

Trim down %	1	2	3	4	5	6	7	8	9	10
Vout (VDC)	3.267	3.234	3.201	3.168	3.135	3.102	3.069	3.036	3.003	2.970
Rt down (KΩ)	210.002	103.334	72.327	54.213	42.335	31.667	25.963	21.505	16.884	14.124
Trim up %	1	2	3	4	5	6	7	8	9	10
Vout (VDC)	3.333	3.366	3.399	3.432	3.465	3.498	3.531	3.564	3.597	3.63
Rt up (KΩ)	369.179	96.88	59.466	41.454	28.235	22.058	17.6	14.23	10.837	8.857

AM20EW-xx05S-NZ, xx=24 or 48

Trim down %	1	2	3	4	5	6	7	8	9	10
Vout (VDC)	4.95	4.9	4.85	4.8	4.75	4.7	4.65	4.6	4.55	4.5
Rt down (KΩ)	105.180	52.153	31.996	21.377	14.822	10.372	7.154	4.719	2.811	1.276
Trim up %	1	2	3	4	5	6	7	8	9	10
Vout (VDC)	5.05	5.1	5.15	5.2	5.25	5.3	5.35	5.4	5.45	5.5
Rt up (KΩ)	176.356	71.279	41.973	28.200	20.197	14.967	11.281	8.543	6.430	4.749



AM20EW-11005S-NZ

Trim down %	1	2	3	4	5	6	7	8	9	10
Vout (VDC)	4.95	4.9	4.85	4.8	4.75	4.7	4.65	4.6	4.55	4.5
Rt down (KΩ)	96.08	49.349	30.67	20.616	14.333	10.034	6.909	4.533	2.667	1.162
Trim up %	1	2	3	4	5	6	7	8	9	10
Vout (VDC)	5.05	5.1	5.15	5.2	5.25	5.3	5.35	5.4	5.45	5.5
Rt up (KΩ)	205.698	76.406	44.023	29.296	20.879	15.431	11.617	8.798	6.63	4.91

AM20EW-11005SH22-NZ

Trim down %	1	2	3	4	5	6	7	8	9	10
Vout (VDC)	4.95	4.9	4.85	4.8	4.75	4.7	4.65	4.6	4.55	4.5
Rt down (KΩ)	105.181	52.154	31.997	21.378	14.823	10.373	7.155	4.719	2.811	1.277
Trim up %	1	2	3	4	5	6	7	8	9	10
Vout (VDC)	5.05	5.1	5.15	5.2	5.25	5.3	5.35	5.4	5.45	5.5
Rt up (KΩ)	176.356	71.279	41.974	28.2	20.198	14.967	11.281	8.544	6.430	4.749

AM20EW-xx09S-NZ, xx=24 or 48

Trim down %	1	2	3	4	5	6	7	8	9	10
Vout (VDC)	8.91	8.82	8.73	8.64	8.55	8.46	8.37	8.28	8.19	8.1
Rt down (KΩ)	375.532	207.429	139.156	102.145	78.924	62.996	51.392	42.562	35.616	30.011
Trim up %	1	2	3	4	5	6	7	8	9	10
Vout (VDC)	9.09	9.18	9.27	9.36	9.45	9.54	9.63	9.72	9.81	9.9
Rt up (KΩ)	314.531	112.638	64.147	42.357	29.974	21.989	16.412	12.296	9.134	6.628

AM20EW-xx12S-NZ, xx=24 or 48

Trim down %	1	2	3	4	5	6	7	8	9	10
Vout (VDC)	11.88	11.76	11.64	11.52	11.4	11.28	11.16	11.04	10.92	10.8
Rt down (KΩ)	496.091	301.451	212.527	161.585	128.573	105.441	88.332	75.163	64.715	56.223
Trim up %	1	2	3	4	5	6	7	8	9	10
Vout (VDC)	12.12	12.24	12.36	12.48	12.6	12.72	12.84	12.96	13.08	13.2
Rt up (KΩ)	706.435	158.920	83.878	54.074	38.076	28.095	21.274	16.316	12.551	9.594

AM20EW-11012S-NZ

Trim down %	1	2	3	4	5	6	7	8	9	10
Vout (VDC)	11.88	11.76	11.64	11.52	11.4	11.28	11.16	11.04	10.92	10.8
Rt down (KΩ)	505.529	303.041	211.851	159.978	126.504	103.114	85.849	72.581	62.066	53.527
Trim up %	1	2	3	4	5	6	7	8	9	10
Vout (VDC)	12.12	12.24	12.36	12.48	12.6	12.72	12.84	12.96	13.08	13.2
Rt up (KΩ)	614.769	150.097	78.994	50.198	34.607	24.832	18.13	13.249	9.536	6.616

AM20EW-11012SH22-NZ

Trim down %	1	2	3	4	5	6	7	8	9	10
Vout (VDC)	11.88	11.76	11.64	11.52	11.4	11.28	11.16	11.04	10.92	10.8
Rt down (KΩ)	496.092	301.452	212.527	161.585	128.573	105.442	88.332	75.164	64.716	56.223
Trim up %	1	2	3	4	5	6	7	8	9	10
Vout (VDC)	12.12	12.24	12.36	12.48	12.6	12.72	12.84	12.96	13.08	13.2
Rt up (KΩ)	706.435	158.92	83.879	54.075	38.077	28.095	21.274	16.317	12.552	9.595

AM20EW-xx15S-NZ, xx=24 or 48

Trim down %	1	2	3	4	5	6	7	8	9	10
Vout (VDC)	14.85	14.7	14.55	14.4	14.25	14.1	13.95	13.8	13.65	13.5
Rt down (KΩ)	634.883	400.637	288.513	222.758	179.536	148.959	126.187	108.568	94.532	83.086
Trim up %	1	2	3	4	5	6	7	8	9	10
Vout (VDC)	15.15	15.3	15.45	15.6	15.75	15.9	16.05	16.2	16.35	16.5
Rt up (KΩ)	1460.098	192.573	96.641	61.354	43.016	31.781	24.191	18.720	14.590	11.361

AM20EW-11015S-NZ

Trim down %	1	2	3	4	5	6	7	8	9	10
Vout (VDC)	14.85	14.7	14.55	14.4	14.25	14.1	13.95	13.8	13.65	13.5
Rt down (KΩ)	570.165	371.335	271.179	210.846	170.524	141.673	120.008	103.142	89.638	78.584
Trim up %	1	2	3	4	5	6	7	8	9	10
Vout (VDC)	15.15	15.3	15.45	15.6	15.75	15.9	16.05	16.2	16.35	16.5
Rt up (KΩ)	3208.668	231.297	104.85	63.553	43.061	30.815	22.672	16.865	12.516	9.136

AM20EW-11015SH22-NZ

Trim down %	1	2	3	4	5	6	7	8	9	10
Vout (VDC)	14.85	14.7	14.55	14.4	14.25	14.1	13.95	13.8	13.65	13.5
Rt down (KΩ)	974.008	517.391	346.387	256.863	201.789	164.487	137.551	117.187	101.251	88.44
Trim up %	1	2	3	4	5	6	7	8	9	10
Vout (VDC)	15.15	15.3	15.45	15.6	15.75	15.9	16.05	16.2	16.35	16.5
Rt up (KΩ)	283.713	117.996	70.541	48.045	34.918	26.315	20.242	15.725	12.235	9.456

AM20EW-xx24S-NZ, xx=24 or 48

Trim down %	1	2	3	4	5	6	7	8	9	10
Vout (VDC)	23.76	23.52	23.28	23.04	22.8	22.56	22.32	22.08	21.84	21.6
Rt down (KΩ)	1038.047	638.015	455.256	350.553	282.702	235.158	199.992	172.928	151.453	134
Trim up %	1	2	3	4	5	6	7	8	9	10
Vout (VDC)	24.24	24.48	24.72	24.96	25.2	25.44	25.68	25.92	26.16	26.4
Rt up (KΩ)	816.889	179.913	94.338	60.463	42.306	30.987	23.256	17.640	13.375	10.027

**AM20EW-11024S-NZ**

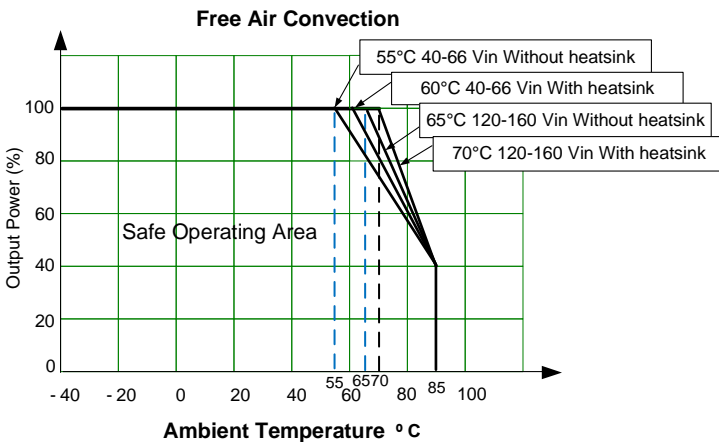
Trim down %	1	2	3	4	5	6	7	8	9	10
Vout (VDC)	23.76	23.52	23.28	23.04	22.8	22.56	22.32	22.08	21.84	21.6
Rt down (KΩ)	1135.537	730.699	532.922	415.701	338.146	283.038	241.862	209.929	184.441	163.624
Trim up %	1	2	3	4	5	6	7	8	9	10
Vout (VDC)	24.24	24.48	24.72	24.96	25.2	25.44	25.68	25.92	26.16	26.4
Rt up (KΩ)	2871.219	219.961	106.182	66.054	45.551	33.104	24.745	18.744	14.226	10.703

**AM20EW-11024SH22-NZ**

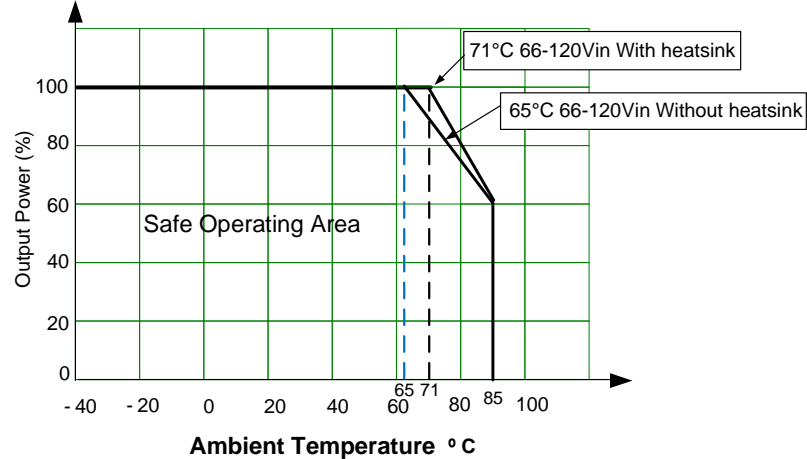
Trim down %	1	2	3	4	5	6	7	8	9	10
Vout (VDC)	23.76	23.52	23.28	23.04	22.8	22.56	22.32	22.08	21.84	21.6
Rt down (KΩ)	1286.2	792.123	565.867	436.104	351.954	292.963	249.316	215.714	189.047	167.37
Trim up %	1	2	3	4	5	6	7	8	9	10
Vout (VDC)	24.24	24.48	24.72	24.96	25.2	25.44	25.68	25.92	26.16	26.4
Rt up (KΩ)	816.889	179.914	94.338	60.464	42.307	30.988	23.257	17.64	13.376	10.027

**Derating**

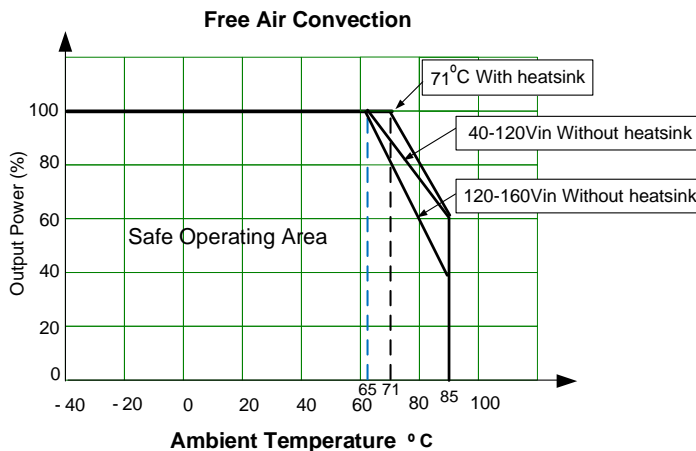
**AM20EW-11005SH22-NZ**



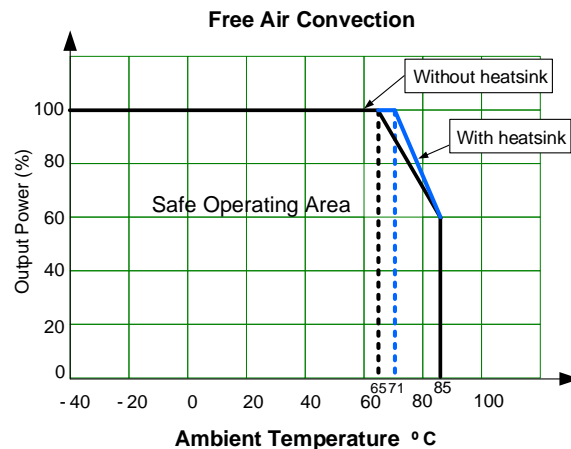
**Free Air Convection**



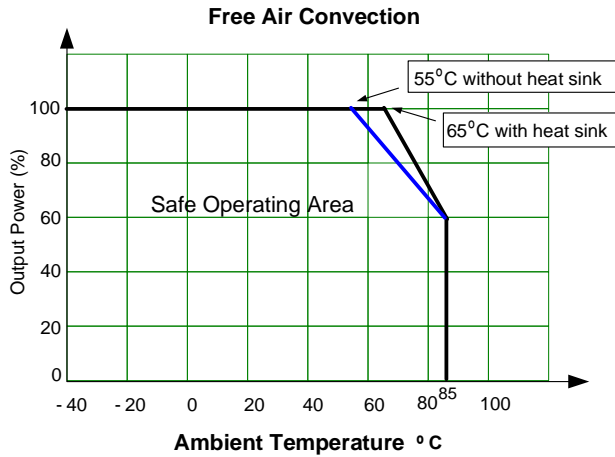
**AM20EW-11003SH22-NZ**



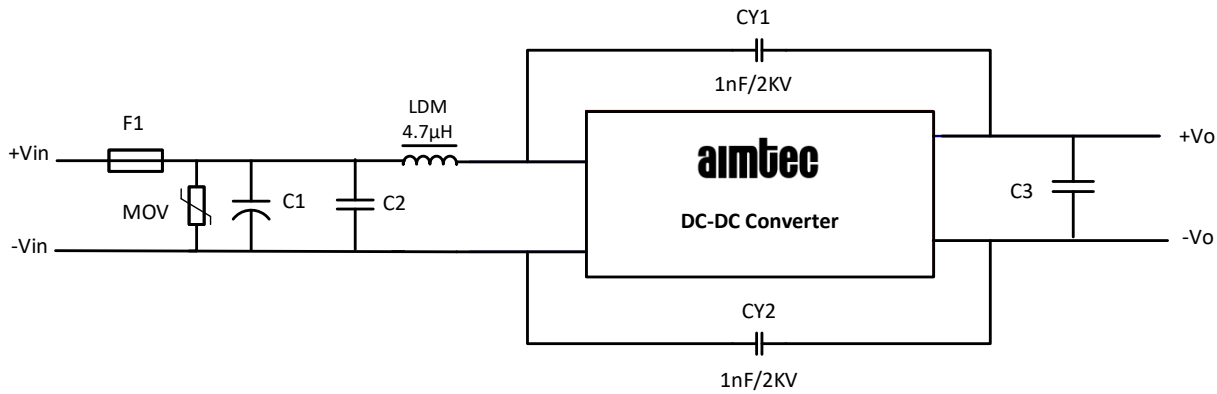
**AM20EW-110xxDH30-NZ**



**Others**

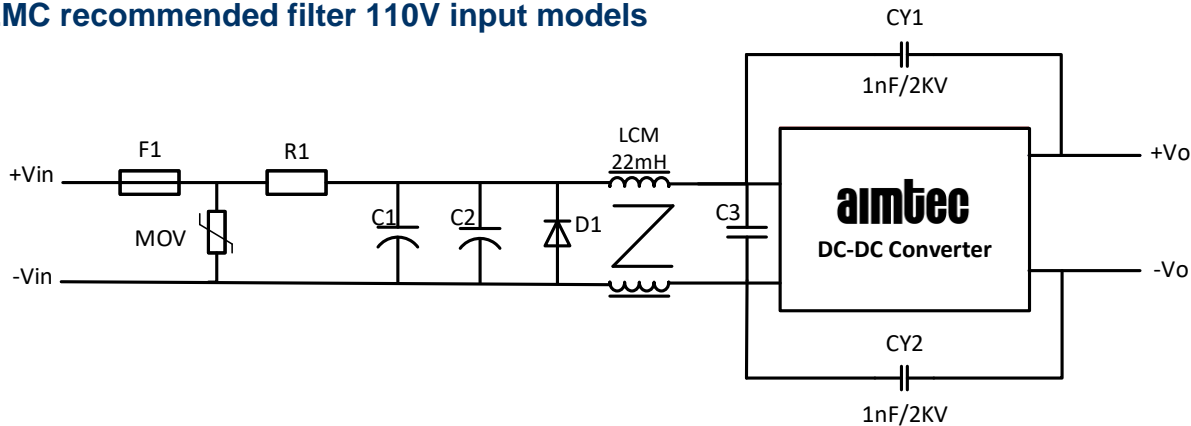


**EMC recommended filter 24 & 48V input 1500VDC models**



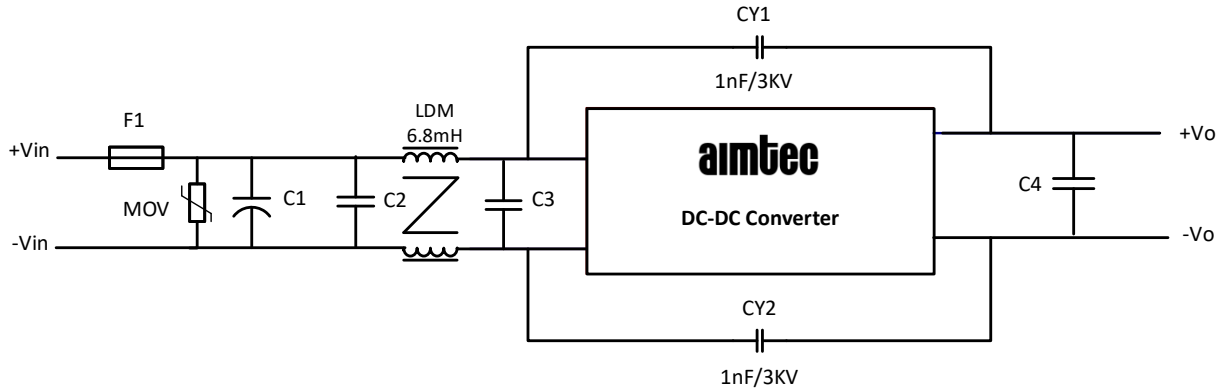
Model	MOV	C1	C2	C3
24 Vin	S14K35	330 µF / 50V	1 µF / 50V	470µF for 3.3 & 5V output 220µF for 9/12/15 & ±5 V output 100 µF for 24 & ±9/±12/±15 V output 220µF for ±5Voutput
48 Vin	S14K60	330 µF / 100V	1 µF / 100V	

**EMC recommended filter 110V input models**



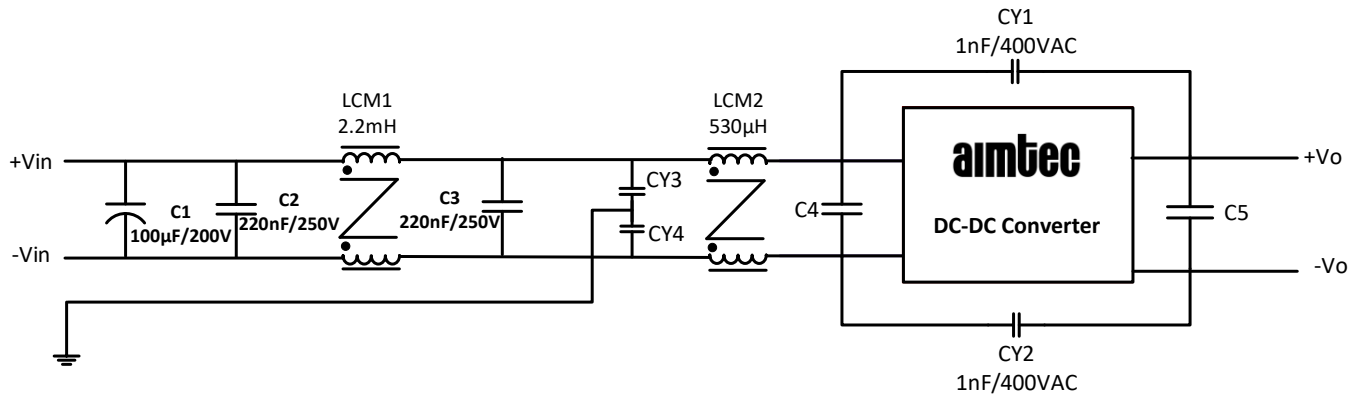
MOV	C1 & C2	R1	C3	D1
S20K130	1 µF / 200V	1 Ω	100 µF / 200V	ER304

**EMC recommended filter for 24 & 48V input 3000VDC models**



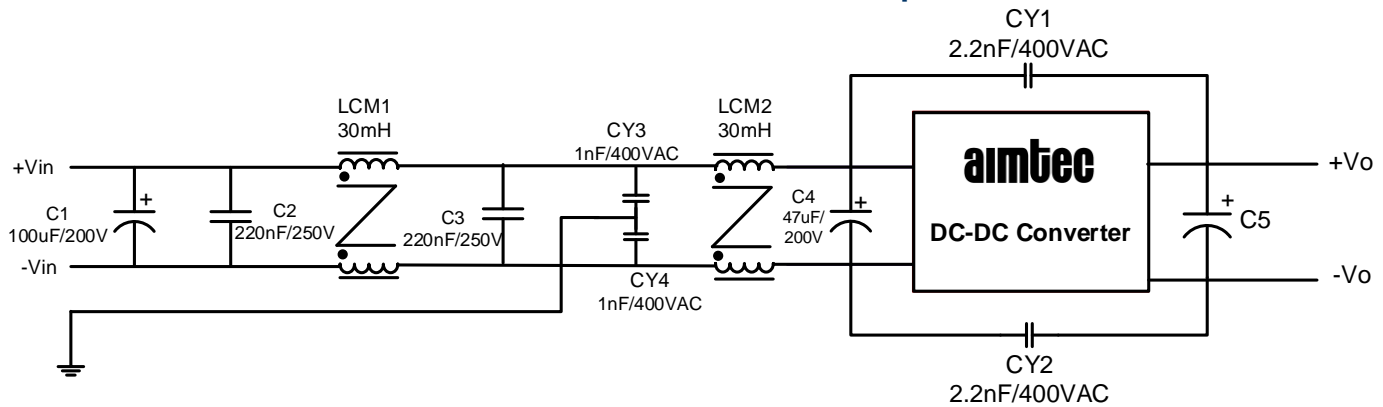
Model	MOV	C1	C2 & C3	C4
24 Vin	S14K35	330 $\mu$ F / 50V	1 $\mu$ F / 50V	470 $\mu$ F for 3.3 & 5V output 220 $\mu$ F for 9/12/15V output 100 $\mu$ F for 24V output
48 Vin	S14K60	330 $\mu$ F / 100V	1 $\mu$ F / 100V	

**EMC recommended filter for 110Vin 2250V Isolation**



CY3 & CY4	C4	Vout	C5
1nF / 400V	10-47 $\mu$ F / 250V	3.3V & 5V	470 $\mu$ F
		12V & 15V	220 $\mu$ F
		24V	100 $\mu$ F

**EMC recommended filter for 110Vin 3000V Isolation Dual output models**



Model	C5
±12 Vout	220uF/25V
±15 & ±24 Vout	100uF/35V

**NOTE:** 1. Datasheets are updated as needed and as such, specifications are subject to change without notice. Once printed or downloaded, datasheets are no longer controlled by Aimtec; refer to [www.aimtec.com](http://www.aimtec.com) for the most current product specifications. 2. Product labels shown, including safety agency certifications on labels, may vary based on the date manufactured. 3. Mechanical drawings and specifications are for reference only. 4. All specifications are measured at an ambient temperature of 25°C, humidity<75%, nominal input voltage and at rated output load unless otherwise specified. 5. Aimtec may not have conducted destructive testing or chemical analysis on all internal components and chemicals at the time of publishing this document. CAS numbers and other limited information are considered proprietary and may not be available for release. 6. This product is not designed for use in critical life support systems, equipment used in hazardous environments, nuclear control systems or other such applications which necessitate specific safety and regulatory standards other the ones listed in this datasheet. 7. Warranty is in accordance with Aimtec's standard Terms of Sale available at [www.aimtec.com](http://www.aimtec.com).