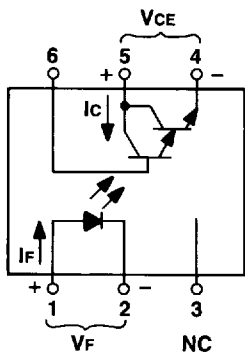


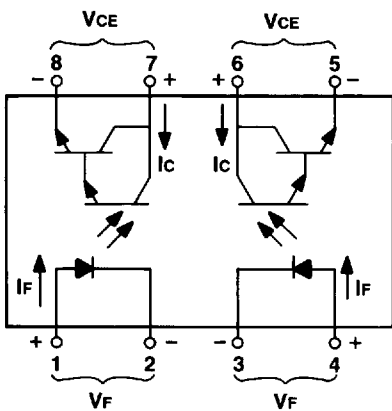
UNIPOLARITY IRED INPUT, DARLINGTON OUTPUT

Single Channel



Base Lead to No. 6 Pin	Specified Input Current (If) mA	Current Transfer Ratio (CTR) min	Sustained Voltage [VCE(SUS)] V min	(ICEO) ¹ nA max	Isolation Current ² (Iiso) nA max	Pulse Time (Tr, Tf) μsec max	Device Code Number
yes	2.0	7.5	60	100	100	100	4B
yes	0.7	4.0	60	100	100	100	4C
none	0.2	2.0	60	100	100	100	4G
none	2.0	7.5	60	100	100	100	4K

Dual Channel



Specified Input Current (If) mA	Current Transfer Ratio (CTR) min	Sustained Voltage [VCE(SUS)] V min	(ICEO) ¹ nA max	Isolation Current ² (Iiso) nA max	Pulse Time (Tr, Tf) μsec max	Device Code Number
2.0	7.5	60	100	100	100	2B
0.2	1.8	12	100	100	200	2H

- Applications:**
- Isolate high voltage transients
 - Replace relays and transformers
 - Maintain floating grounds
 - Eliminate ground loop feed-throughs

¹ Collector-Emitter Leakage Current

² Specified at (Viso) = 2500V