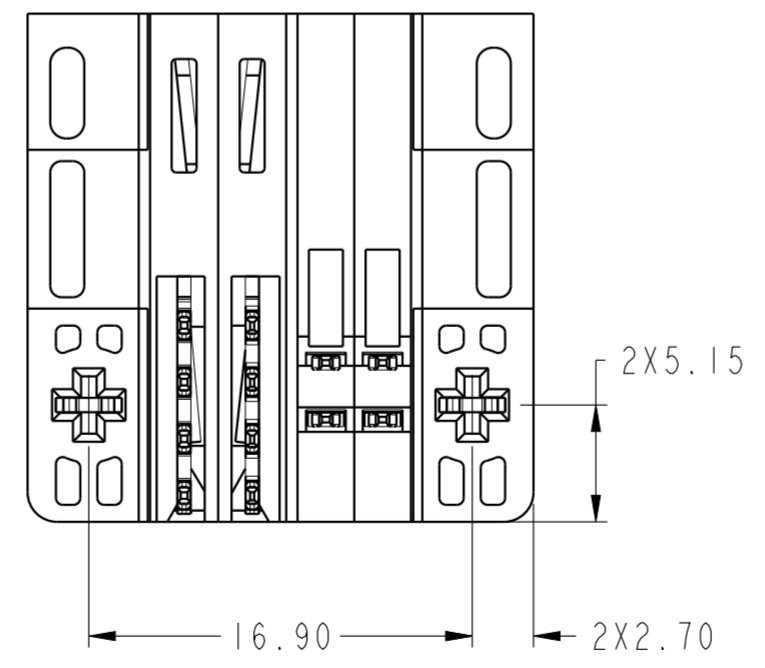
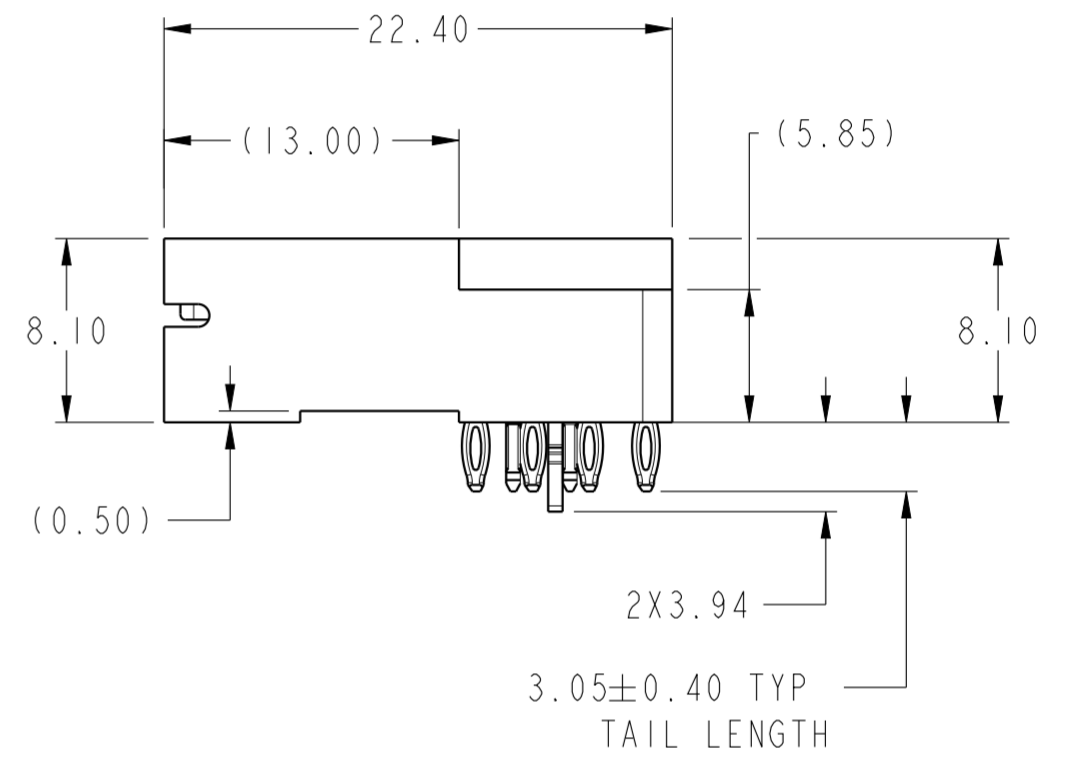
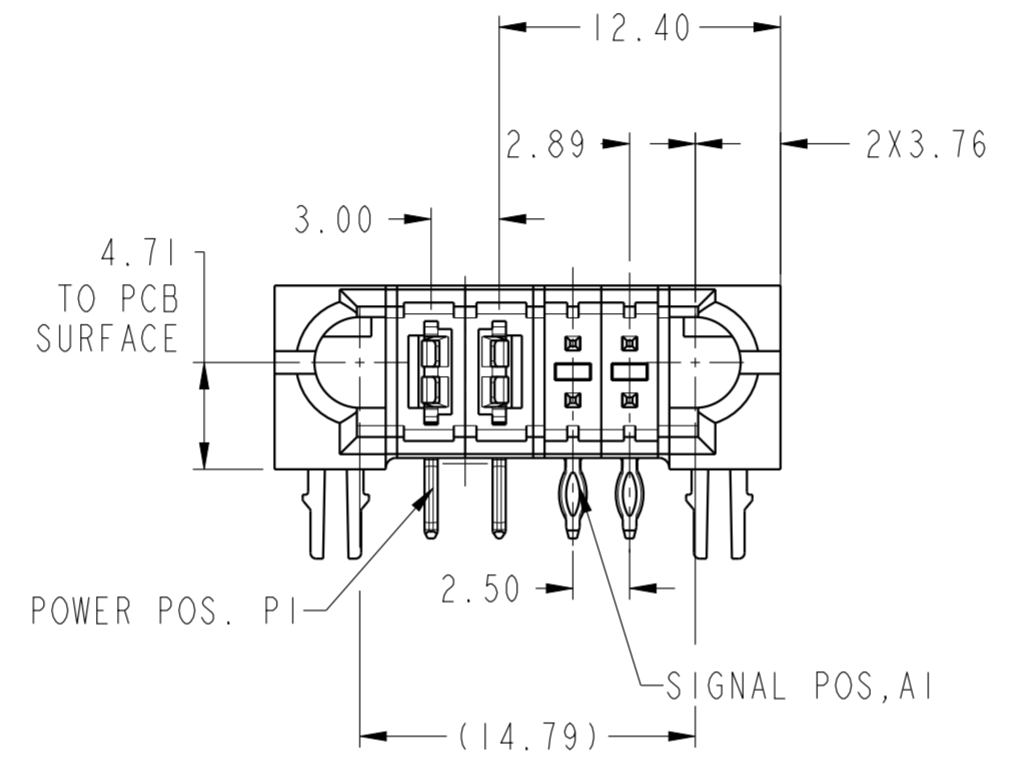
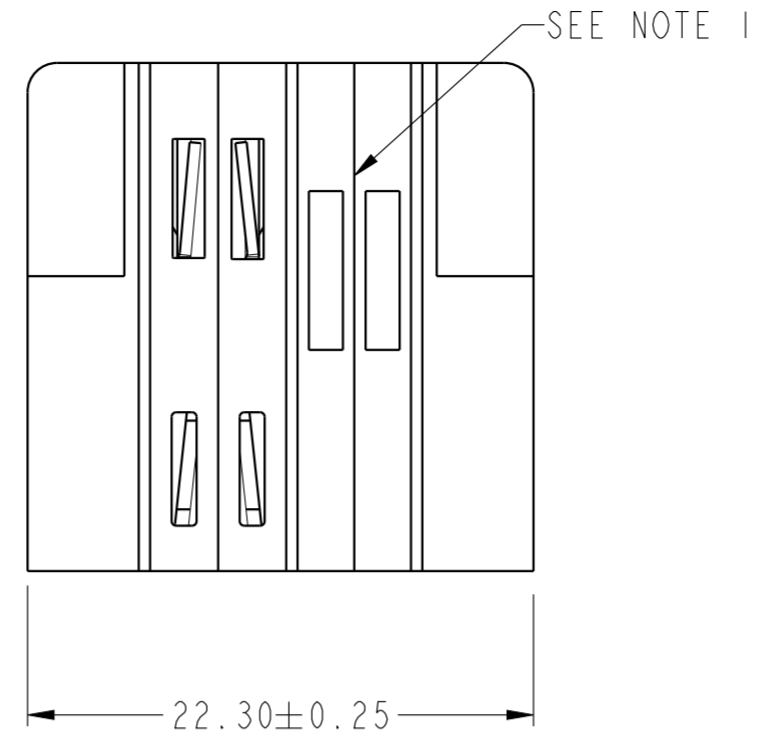


1 2 3 4 5 6 7 8

A  
B  
C  
E  
F



Amphenol  
Power Solutions

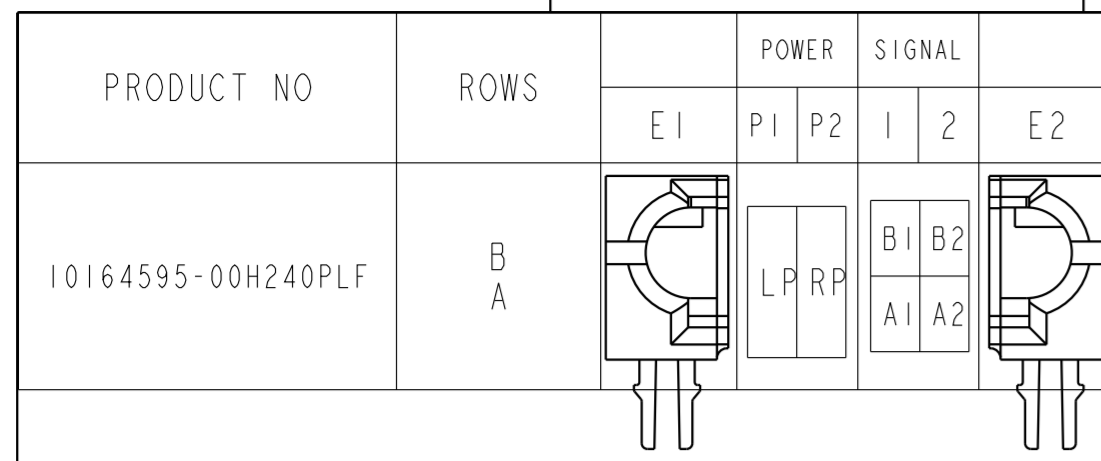
© 2021 Amphenol Corporation

spec ref	-	dr	Bob Xie	2022/08/08	<b>Amphenol Power Solutions</b> mm scale 3:1 size A2 ecn no - rel level <b>Released</b>
tolerance std	ISO 406 ISO 1101	eng	Bob Xie	2022/11/17	
TOLERANCES UNLESS OTHERWISE SPECIFIED		f v w r	-	-	
surface	ISO 1302	appr	Zheng, Pei-Min	2022/11/17	A Division of Amphenol Corporation amphenol-hcc.com
linear	0.X ±0.50 0.XX ±0.30 0.XXX ±0.15	projection			title 2P + 4S PRESS-FIT R/A PLUG, PwrBlade MiNi BTB product family -
angular	0° ±2°	cat. no. 10164595-00H240P rel level <b>Released</b>		rev <b>A</b> sheet 1 of 2	

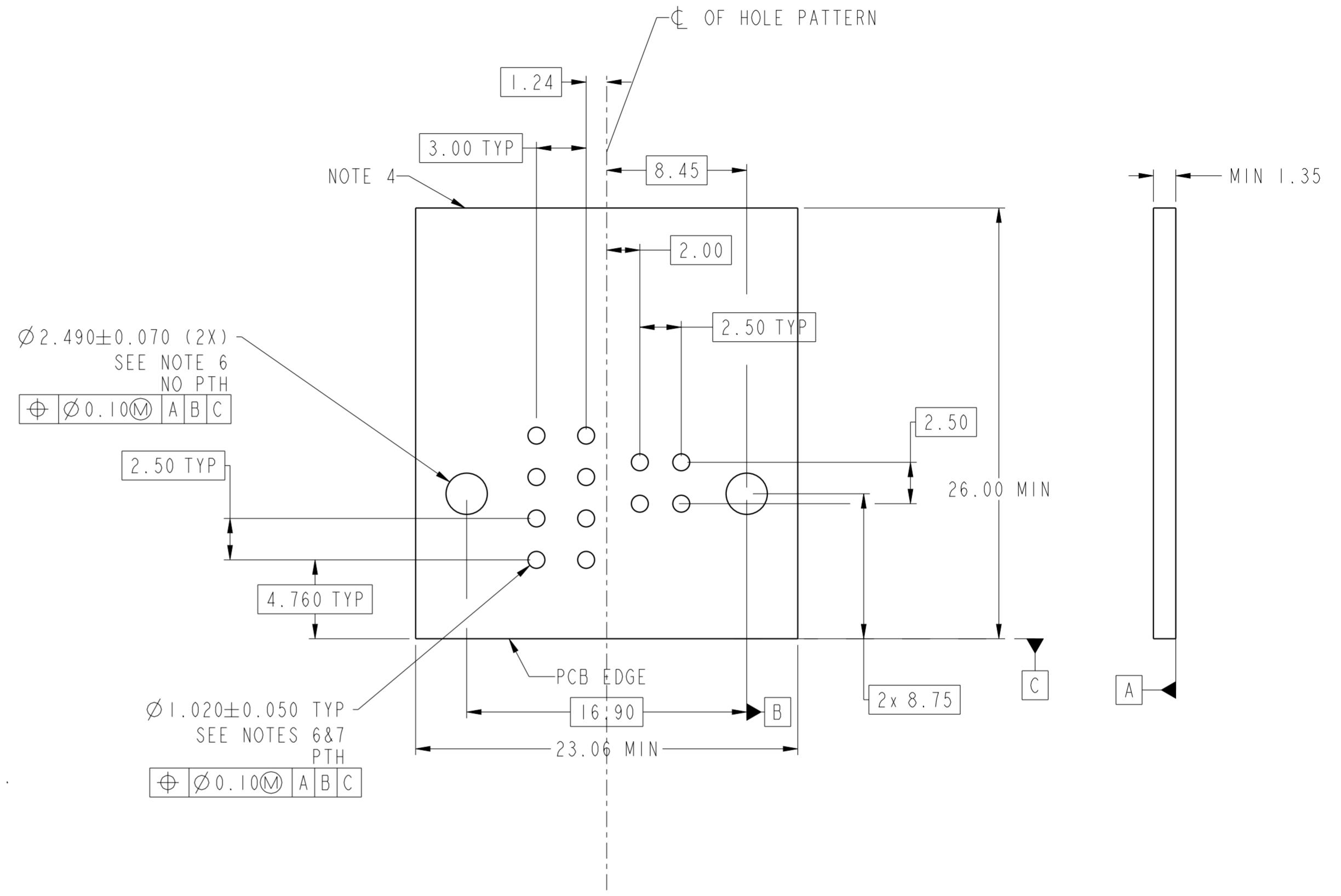
PDS: Rev :A

STATUS:Released

Printed: Nov 17, 2022



CODE	COMPONENTS NUMBER	QTY.
SA	Right angle signal RA	2
SB	Right angle signal RB	2
RF	Right power	1
LF	left power	1
HA	Hold down	2



- NOTES:
- "AFCI", PART NUMBER AND DATE CODE TO BE MARKED ON THIS SURFACE. THE P/N CAN BE OMITTED IF THERE IS NOT ENOUGH SPACE ON THIS SURFACE.
  - MATERIALS:  
HOUSING: HIGH TEMP THERMOPLASTIC WITH GLASS FIBER, UL94V-0, BLACK.  
POWER CONTACTS: HIGH CONDUCTIVITY COPPER ALLOY.  
SIGNAL CONTACTS: COPPER ALLOY.  
HOLD DOWN: COPPER ALLOY
  - PLATING SPECIFICATION - REFER TO FCI 10168902.
  - DENOTES CONNECTOR KEEP OUT ZONE.
  - DATUM AND BASIC DIMENSION ARE ESTABLISHED BY CUSTOMER.
  - ALL HOLE DIAMETERS ARE FINISHED HOLE SIZES.
  - 1.150±0.025mm DRILLED HOLE PLATED WITH 7.62µm MIN Sn OVER  
25.4µm-76.2µm Cu PLATING TO ACHIEVE A 1.02±0.07mm FINISHED HOLE.
  - PRODUCT SPECIFICATION - REFER TO FCI GS-12-1740.  
APPLICATION SPECIFICATION - REFER TO FCI GS-20-0773.  
PRODUCT PACKAGED IN TRAYS - REFER TO FCI GS-14-2937.
  - THE VOID CORING IN BETWEEN POWER MODULES AND END MODULES ARE OPTIONAL AND THE SHAPE MAY BE DIFFERENT TO OPTIMIZE THE MOLDING PROCESS. THE VOID CORING WILL NOT EFFECT THE PRODUCT FUNCTION.
  - THIS PRODUCT MEETS EUROPEAN UNION DIRECTIVES AND OTHER COUNTRY REGULATIONS AS DESCRIBED IN GS-47-0004.

spec ref	-	dr	Bob Xie	2022/08/08	<b>Amphenol Power Solutions</b> A Division of Amphenol Corporation amphenol-hcc.com	mm	scale	3:1	size	A2		
tolerance std	ISO 406 ISO 1101	eng	Bob Xie	2022/11/17		ecn no	-	rel level	Released			
surface	linear	projection				title	2P + 4S PRESS-FIT		dig no	10164595-00H240P	rev	A
	angular					product family	R/A PLUG, PwrBlade Mini BTB		cat. no.	-		
TOLERANCES UNLESS OTHERWISE SPECIFIED 0.X ±0.50 0.XX ±0.30 0.XXX ±0.15 0° ±2°					Zheng, Pei-Min 2022/11/17		Product - Customer Drw		sheet 2 of 2			

Amphenol Power Solutions

© 2021 Amphenol Corporation

PDS: Rev :A

STATUS:Released

Printed: Nov 17, 2022