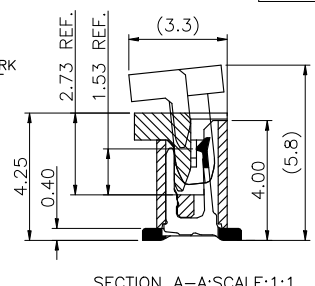
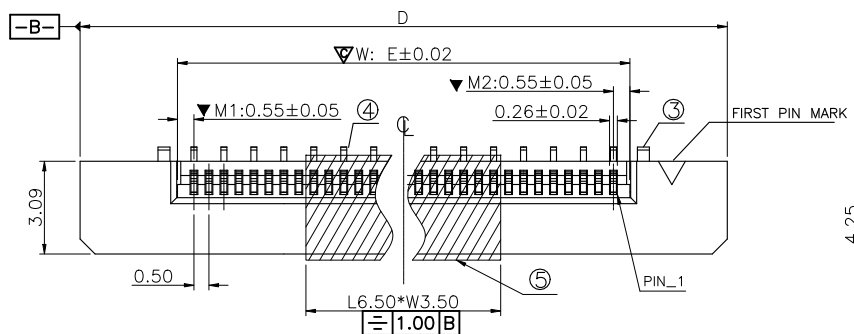
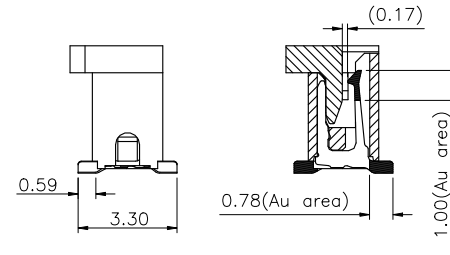
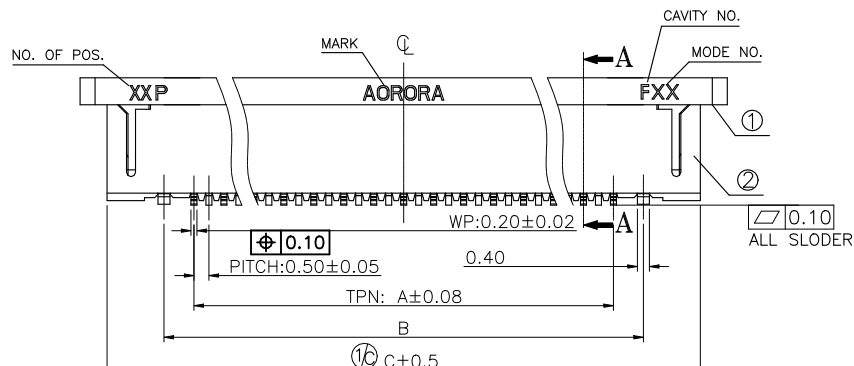


REV.	ECR/ECN No.	DESCRIPTION	DRAWN/DATE	CHECKED/DATE	APPROVED/DATE
C	/	Update the drawing	May 2020-08-07	Rain 2020-08-07	Leo.Liu 2020-08-07
D	/	Add specification	May 2021-06-28	SH.Chen 2021-06-28	Rain.Han 2021-06-28

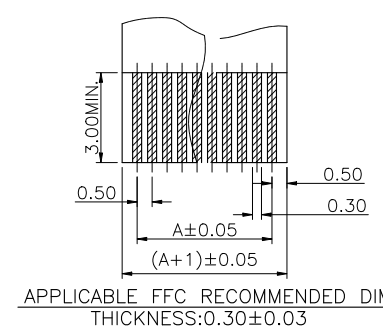
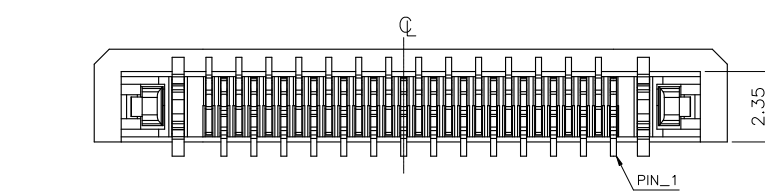


NO.	COMPONENTS	MATERIALS	SPECIFICATION:FINISH/COLOR	QTY.
1	SLIDER	GLASS FILLED PA9T, UL94V-0	BLACK	1
2	HOUSING	GLASS FILLED LCP, UL94V-0	NATURAL	1
3	ANCHOR-PLATE	BRASS, T=0.40mm	SURFACE PLATING:2~5 um Sn UNDER PLATING:1~3 um Ni	2
4	CONTACT	PHOSPHOR BRONZE, T=0.20mm	SURFACE PLATING:SEE "NOTE" UNDER PLATING:1~3 um Ni	N
5	MYLAR	T=0.10mm 耐高温	YELLOW	1



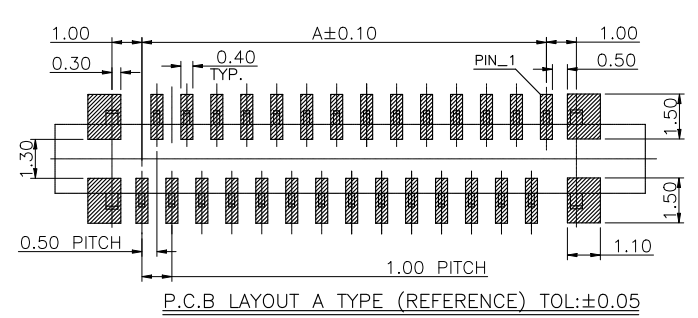
NOTE:
 1.ALL MATERIAL MUST BE COMPLY WITH SS-00259/RoHS.
 2."▼" MARK IS IMPORTANT DIMENSIONS
 3."▽" MARK IS CPK AND X-R DIMENSION
 4.PART NO. LEGEND:
 F3**-A**1-110**

NO. OF POSITIONS
 7H:PHOSPHOR BRONZE
 0.05um MIN Au(Au Area)
 7A:PHOSPHOR BRONZE
 MATTER TIN
 (D)AF:PHOSPHOR BRONZE
 0.75um MIN Au(Au Area)
 1A:LCP NATURAL
 FA:LCP NATURAL
 1Z:WITH MYLAR(A TYPE)
 1W:NO MYLAR(A TYPE)



DIMENSION LIST:

NO. OF POS.	A	B	C	D	E	NO. OF POS.	A	B	C	D	E
4	1.50	3.50	7.30	9.10	2.60	17	8.00	10.00	13.80	15.60	9.10
5	2.00	4.00	7.80	9.60	3.10	18	8.50	10.50	14.30	16.10	9.60
6	2.50	4.50	8.30	10.10	3.60	19	9.00	11.00	14.80	16.60	10.10
7	3.00	5.00	8.80	10.60	4.10	20	9.50	11.50	15.30	17.10	10.60
8	3.50	5.50	9.30	11.10	4.60	21	10.00	12.00	15.80	17.60	11.10
9	4.00	6.00	9.80	11.60	5.10	22	10.50	12.50	16.30	18.10	11.60
10	4.50	6.50	10.30	12.10	5.60	23	11.00	13.00	16.80	18.60	12.10
11	5.00	7.00	10.80	12.60	6.10	24	11.50	13.50	17.30	19.10	12.60
12	5.50	7.50	11.30	13.10	6.60	25	12.00	14.00	17.80	19.60	13.10
13	6.00	8.00	11.80	13.60	7.10	26	12.50	14.50	18.30	20.10	13.60
14	6.50	8.50	12.30	14.10	7.60	27	13.00	15.00	18.80	20.60	14.10
15	7.00	9.00	12.80	14.60	8.10	28	13.50	15.50	19.30	21.10	14.60
16	7.50	9.50	13.30	15.10	8.60	29	14.00	16.00	19.80	21.60	15.10

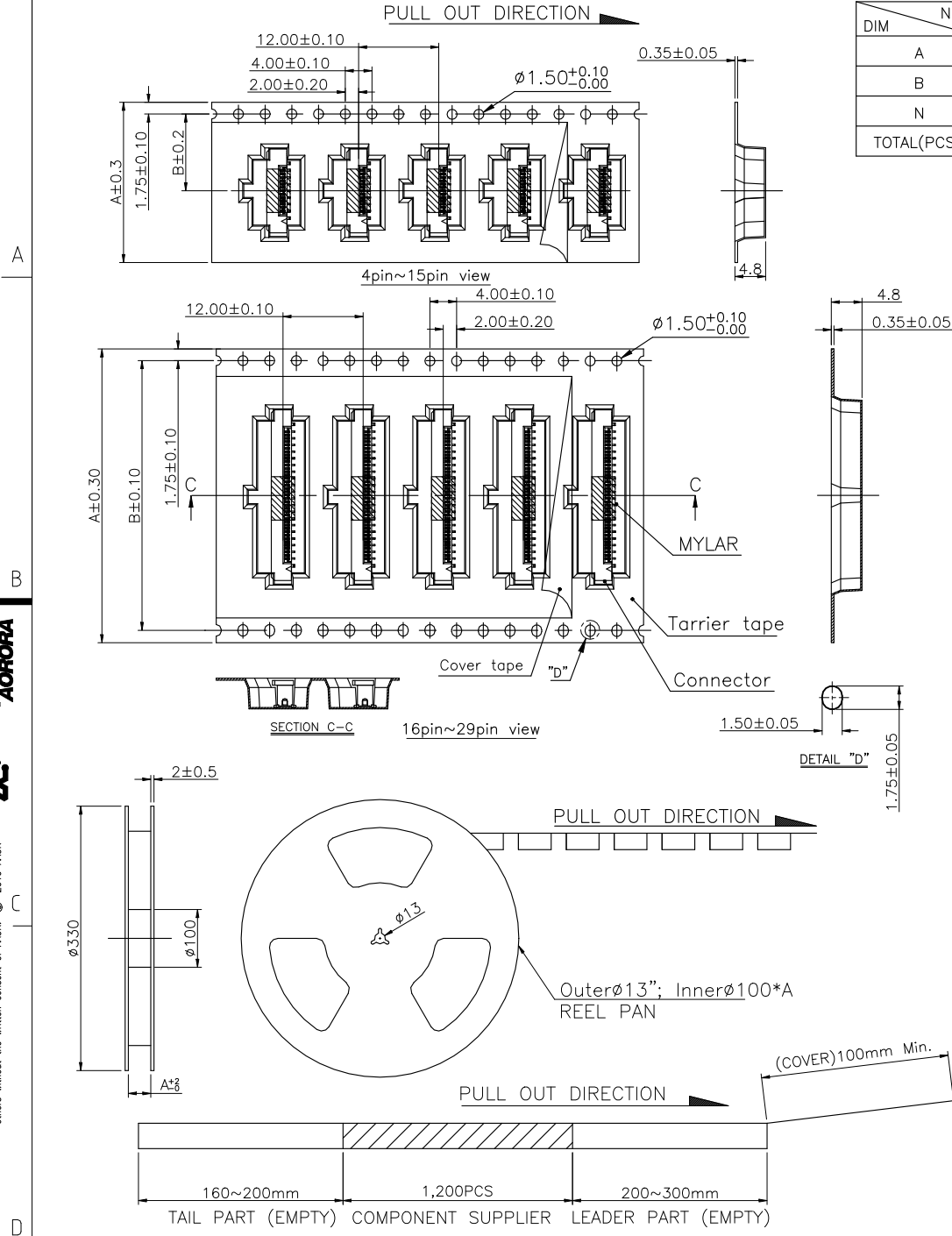


UNLESS OTHERWISE SPECIFIED TOLERANCES		ANGLE OF PROJECTION		 Amphenol Aorora Technology (Huizhou) Co.,Ltd
X.	±0.30	X. *	± 5'	
X.X	±0.25	X.X *	± 4'	
X.XX	±0.20	X.XX *	± 3'	
X.XXX	±0.15	X.XXX *	± 2'	
LINEAR DIMS	ANGLES DIMS		DOC TYP	Customer Drw
DWG NO.:	A-S0136		DRAWN	DATE
MATERIAL	SEE NOTES	DESIGN	DATE	May 2021-06-28
FINISHED	SEE NOTES	CHECKED	DATE	SH.Chen 2021-06-28
		APPROVED	DATE	Rain.Han 2021-06-28
		SIZE	PART NUMBER: F31Z-A**1-110**	
		SCALE	4:1	
		UNIT	mm	
		SHEET	1 OF 2	

This document is the property of and embodies CONFIDENTIAL and PROPRIETARY information of AOR. No part of the information shown on this document may be used in any way or disclosed to others without the written consent of AOR. © 2019 AOR



1. PACKING INTO REEL:



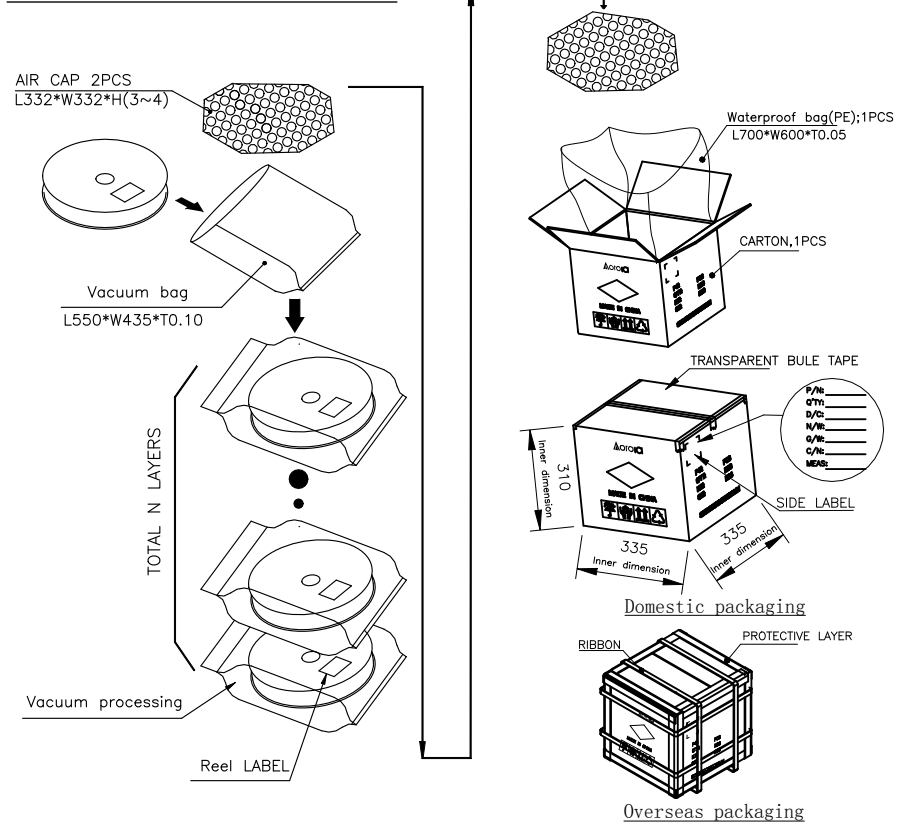
LIST:

DIM \ NO.	4~15	16~25	26~29
A	24.00	32.00	44.00
B	11.50	28.40	40.40
N	10	8	6
TOTAL(PCS)	12000	9600	7200

NOTES:

- MATERIAL:
 - CARRY TAPE:HIPS,T=0.35mm,CLEAR
 - REEL:HIPS,BLUE.
 - SHIM:PE,CLEAR.
- PRIMARY PACKING:1,200PCS/REEL.
- SECONDARY PACKING:"N"REELS/CARTON ("TOTAL"=N*1200/CARTON).
- PEELING RESISTANCE: 0.1N~0.7N(10~70gf);
PEELING ANGLE: 165°~180°;
PEELING SPEED: 300mm/minutes.

2:PACKING INTO OUTER BOX



UNLESS OTHERWISE SPECIFIED TOLERANCES		ANGLE OF PROJECTION		Amphenol AORORA	
X.	±0.30	X. '	± 5'	Amphenol Aorora Technology (Huizhou) Co.,Ltd	
X.X	±0.25	X.X '	± 4'	TITLE:	
X.XX	±0.20	X.XX '	± 3'	Customer Drw	
X.XXX	±0.15	X.XXX '	± 2'	DRAWN DATE May 2021-06-28	
LINEAR DIMS		ANGLES DIMS		DESIGN DATE May 2021-06-28	
DWG NO.: A-S0136		DOCTYP		TITLE: Assembly Drawing For 0.50mm pitch 4-29PIN VERTICAL SMT A TYPE,SLIDER SERIES	
MATERIAL SEE NOTES		CHECKED DATE SH.Chen 2021-06-28		PART NUMBER: F31Z-A**1-110**	
FINISHED SEE NOTES		APPROVED DATE Rain.Han 2021-06-28		F31W-A**1-110**	
		SCALE		1:1	
		UNIT		mm	
		SHEET		2 OF 2	

This document is the property of and embodies CONFIDENTIAL and PROPRIETARY information of AOR. No part of the information shown on this document may be used in any way or disclosed to others without the written consent of AOR. © 2019 AOR

