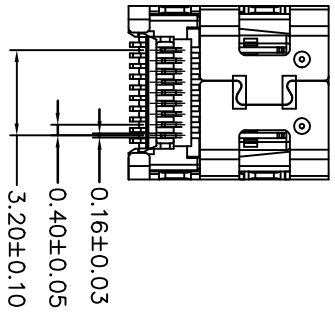
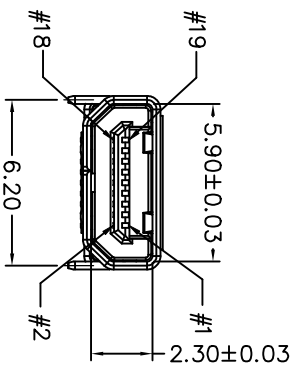
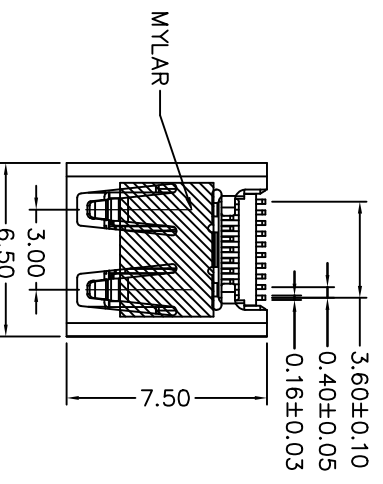
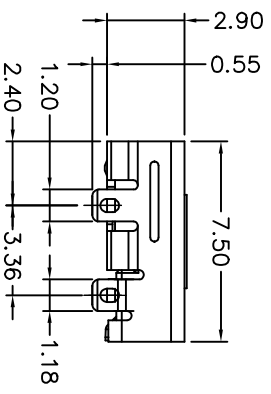


PART NUMBER
10118242-0X1RLF

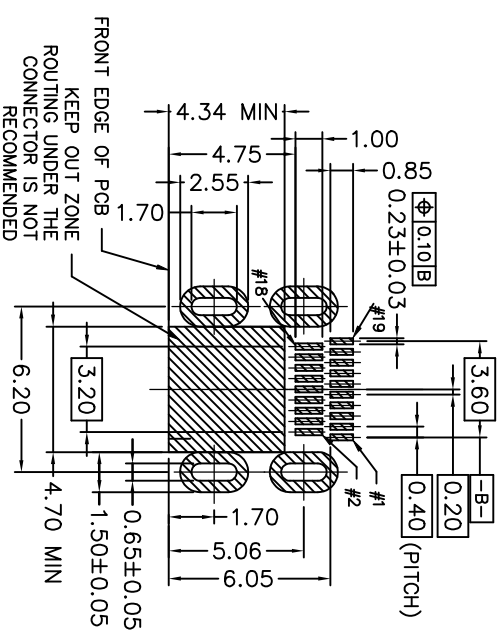
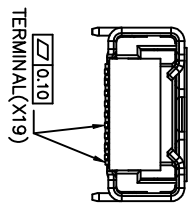
PART NO. DESCRIPTION:
10118242-XXXXLF



- LEAD FREE
PACKAGING TYPE
R: TAPE & REEL
CONTACT AREA PLATING
1: Au 15u"
2: Au 30u"
COLOR OPTION
0: BLACK
1: NATURAL
MYLAR OPTION
0: WITH MYLAR
1: WITHOUT MYLAR



- NOTES:
1. MATERIAL:
HOUSING: LCP+30%GF, UL94 V-0, BLACK OR NATURAL
TERMINAL: COPPER ALLOY.
SHELL: STAINLESS STEEL
2. FINISH:
CONTACT AREA: GOLD PLATED
SOLDER AREA: GOLD FLASH PLATED
SHELL: TIN PLATED
NICKEL PLATED UNDER OVER ALL
3. PRODUCT SPECIFICATION: GS-12-0983.
4. PACKAGING SPECIFICATION: GS-14-2164.
5. THE PRODUCT MEETS EUROPEAN UNION DIRECTIVES AND OTHER COUNTRY REGULATIONS AS DESCRIBED IN GS-22-008,
6 THE CONNECTOR CAN WITHSTAND EXPLOSURE TO 260 DEGREE PEAK TEMPERATURE FOR 10 SECONDS IN IR REFLOW OVEN.



mat'l code	surface	tolerance	projection	product family
HPL528	ISO 1302	ASME Y14.5		HDMI
tr ecn no dr date	tolerances unless otherwise specified			
H BX-N-3912 JASON 11/26/20	angles	.XX±0.25	MM	HDMI TYPE D RECEPTACLE
B BX-N-072816 ZK 09/07/12	linear	.XX±0.20		
C BX-N-16428 HENRY 12/04/13	±1"	XXX±	scale 1:1	
D BX-N-24781 TONY 08/23/16 DR	LEF_SHEN 09/13/11			
E BX-N-25475 TONY 11/25/16 eng JASON_WANG 11/26/20				
F BX-N-25888 TONY 01/12/17 chr				
G BX-N-28731 TONY 12/08/17 pppd	TIM_YAO 09/13/11			
sheet revision H				
index sheet 1				