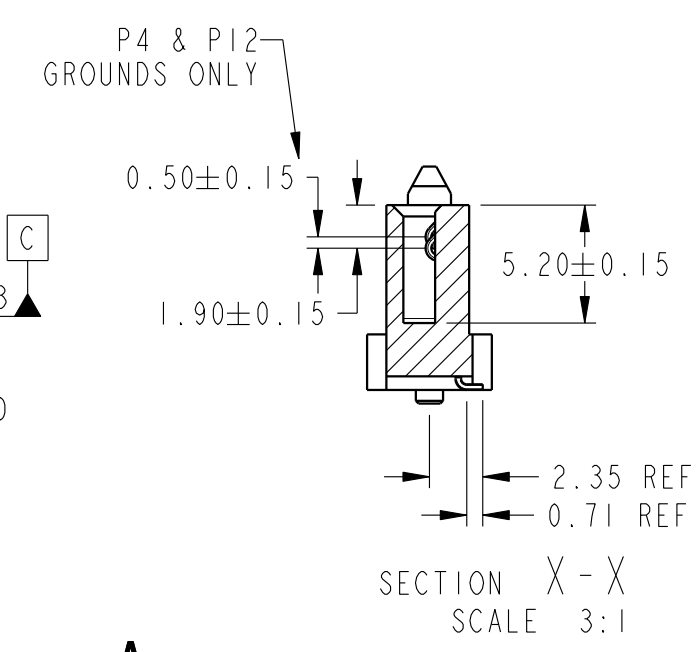
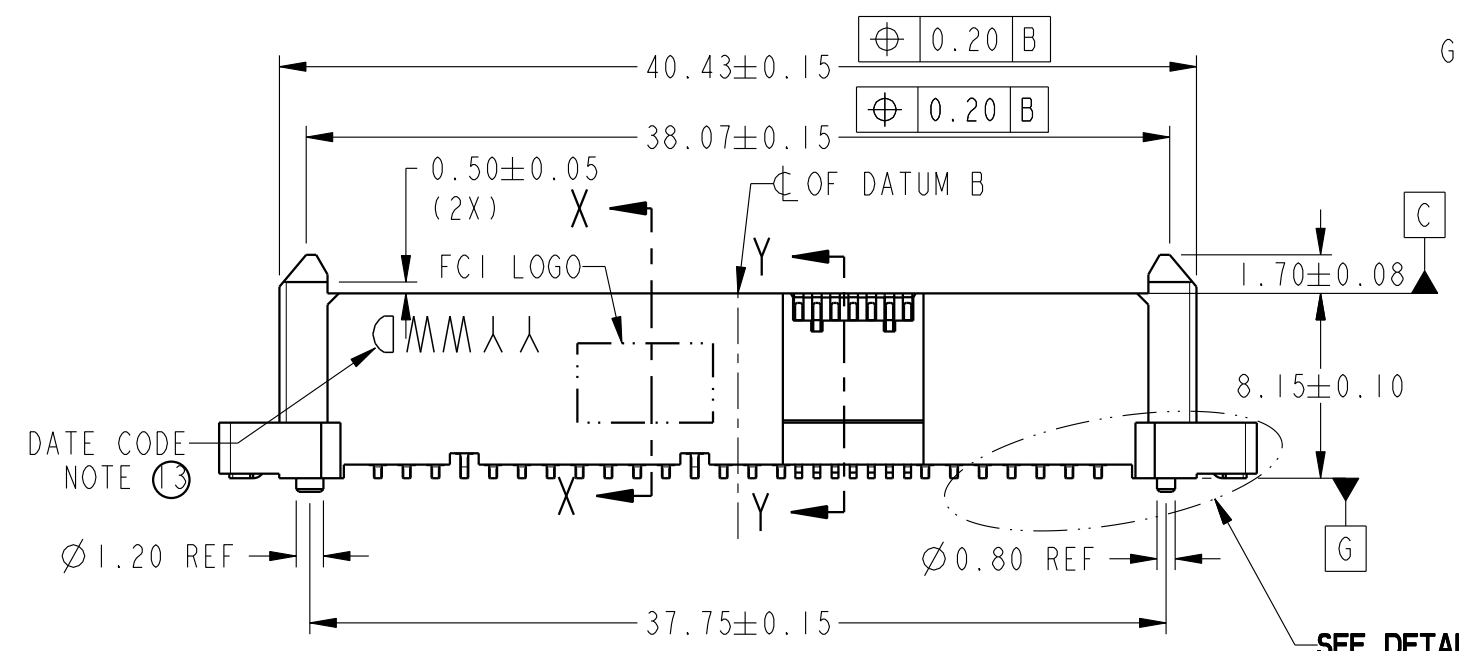
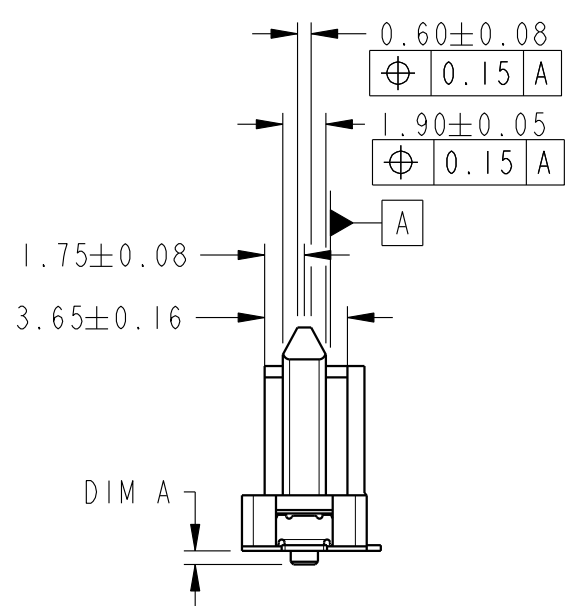
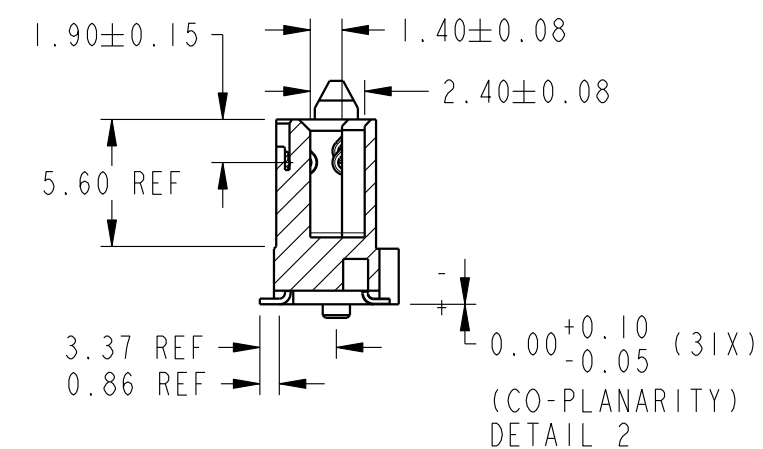
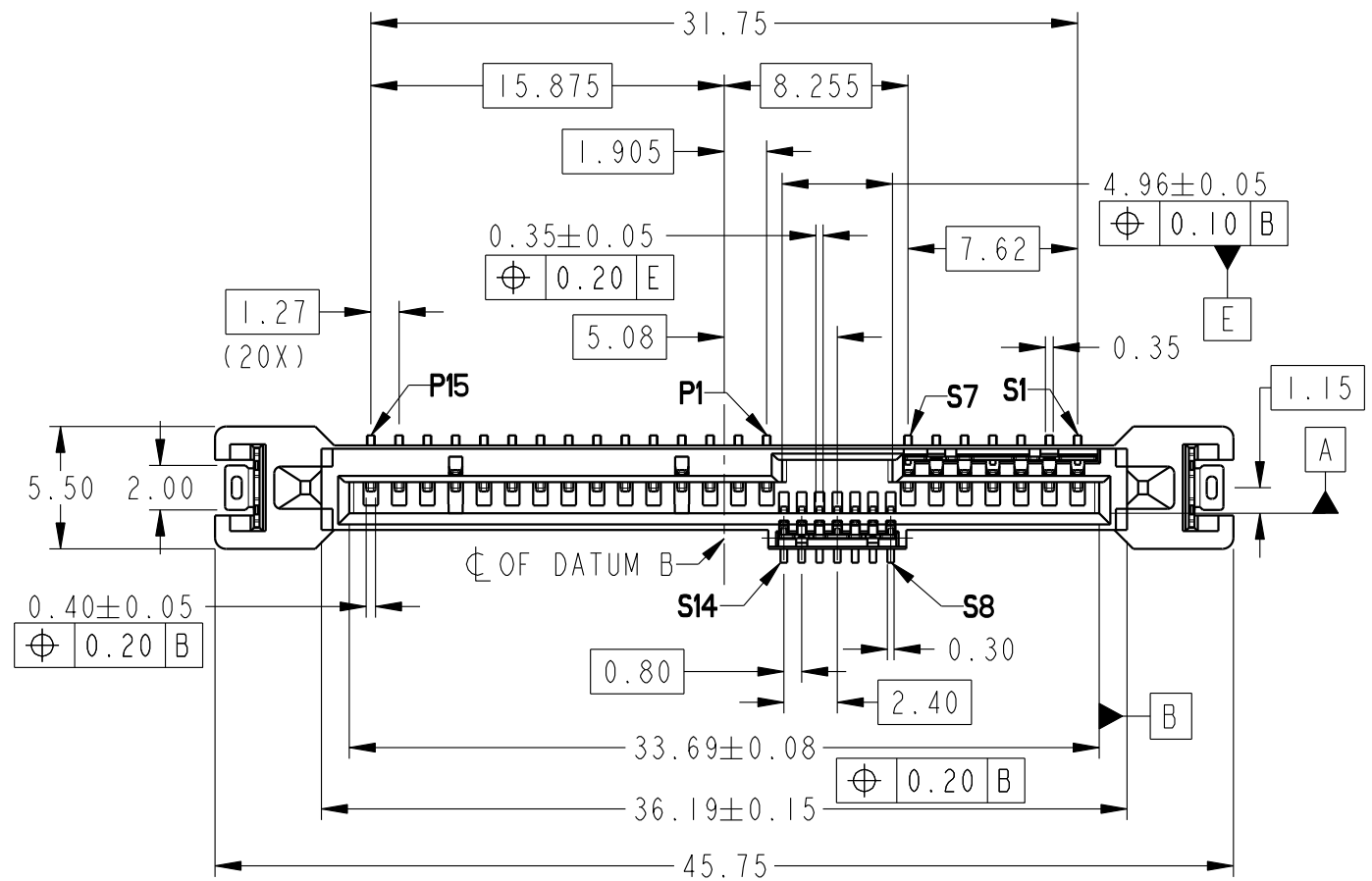


PRODUCT NUMBER  
SEE TABLE

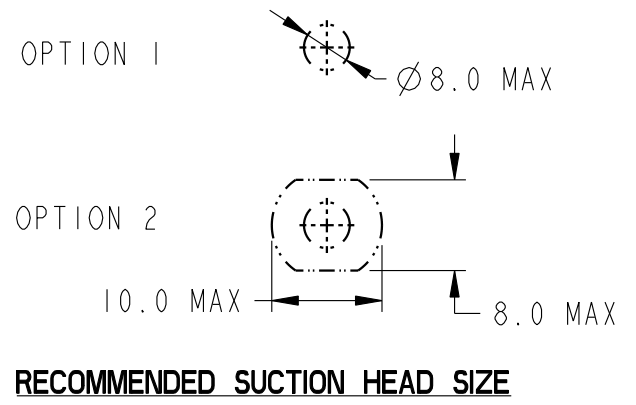
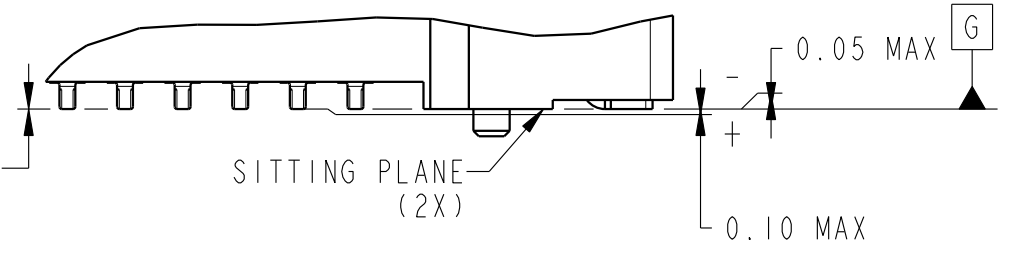
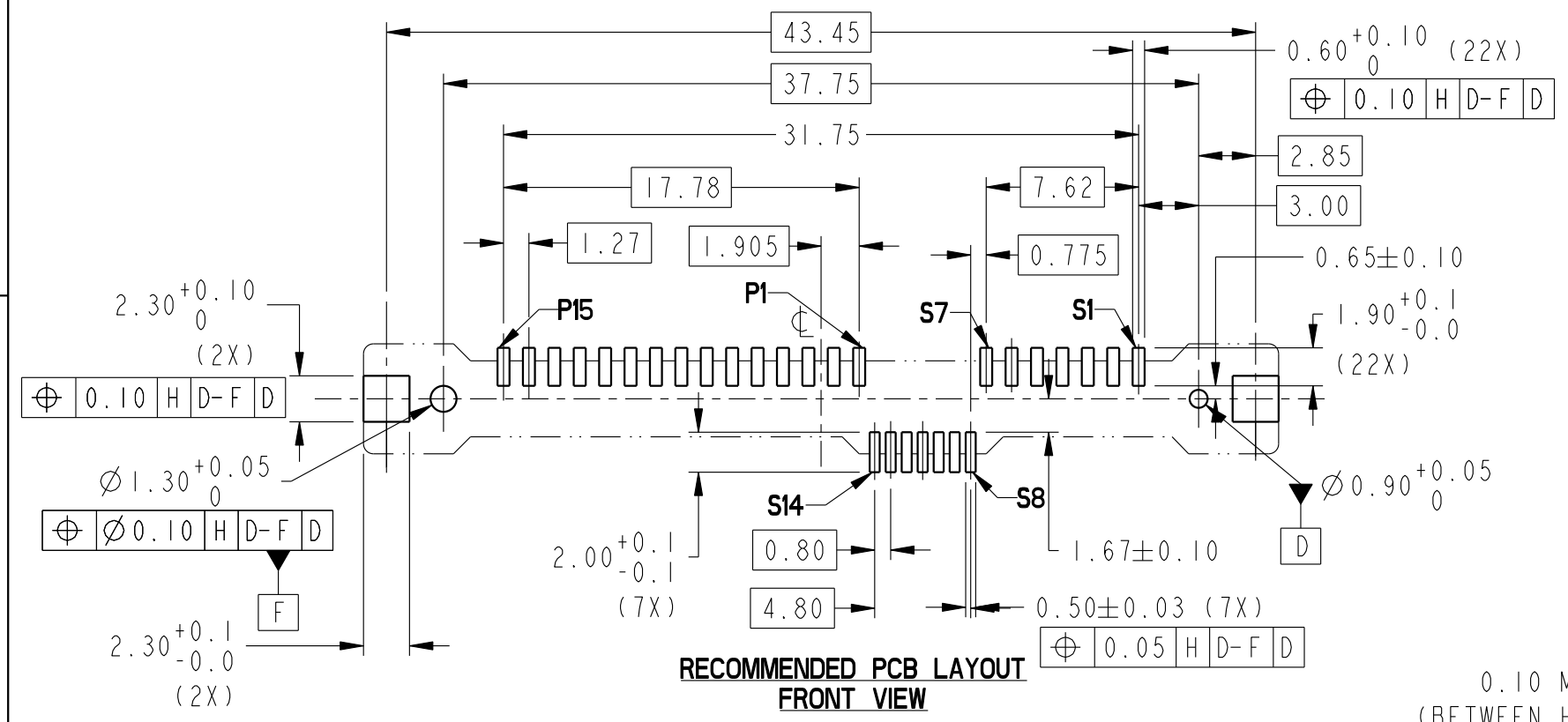
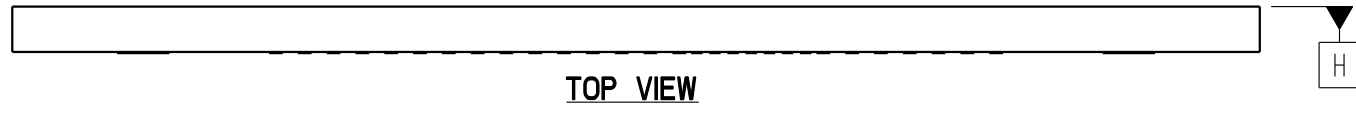


Amphenol FCI

© 2020 Amphenol Corporation

spec ref	-	dr	Noorhazinda,	2017/04/12	projection	mm	size	A3	scale	1:1
tolerance std	ISO 406 ISO 1101	eng	Wai-Bin Cho	2021/11/12		mm	A3	ecn no	ELX-M-42914-1	
TOLERANCES UNLESS OTHERWISE SPECIFIED		chr	-	appr					Koon-Poh Tay	2021/11/17
surface	linear	0.X	±-	<b>Amphenol FCI</b>		24G SAS RECEPTACLE VERTICAL SMT TYPE ASSY		dwg no 10142500	rev F	
	angular	0.XX	±0.20							
		0.XXX	±-	cat. no.		-	Product - Customer Drw		sheet 1 of 3	
		0°	±2°	PDS: Rev :F			STATUS:Released		Printed: Nov 18, 2021	

PRODUCT NUMBER	DIM A	METAL CLIP	PLATING	PICK-UP CAP	PACKAGING	REMARKS
10142500-001LF	0.60	2 PCS	NOTE 2	NO	TRAY	NOTE 7
10142500-001CLF				YES	TRAY	NOTE 3 & 7
10142500-001TRLF				NO	TAPE & REEL	NOTE 5 & 7
10142500-001C-TRLF	1.00	2 PCS	NOTE 2	YES	TAPE & REEL	NOTE 3 5 & 7
10142500-002LF				NO	TRAY	NOTE 7
10142500-002CLF				YES	TRAY	NOTE 3 & 7
10142500-002C-TRLF				YES	TAPE & REEL	NOTE 3 5 & 7



spec ref	-	dr	Noorhazinda,	2017/04/12	projection	mm	size	A3	scale	1:1
tolerance std	ISO 406 ISO 1101	eng	Wai-Bin Cho	2021/11/12			ecn no	ELX-M-42914-1		
TOLERANCES UNLESS OTHERWISE SPECIFIED		chr	-	-			rel level	Released		
surface	linear	appr	Koon-Poh Tay	2021/11/17	product family	SAS	rel level	Released		
ISO 1302	angular	0°	±2°	Amphenol FCI	title	24G SAS RECEPTACLE		dwg no	10142500	
						VERTICAL SMT TYPE ASSY		rev	F	
cat. no.					-		Product - Customer Drw		sheet 2 of 3	

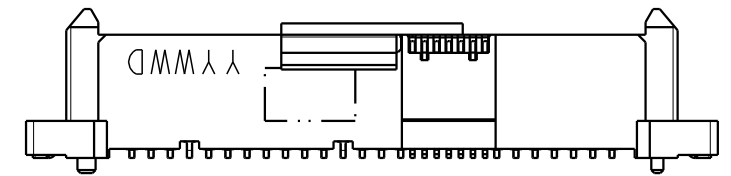
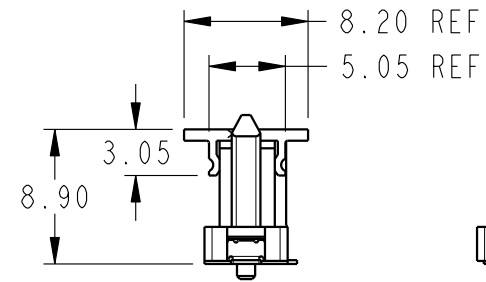
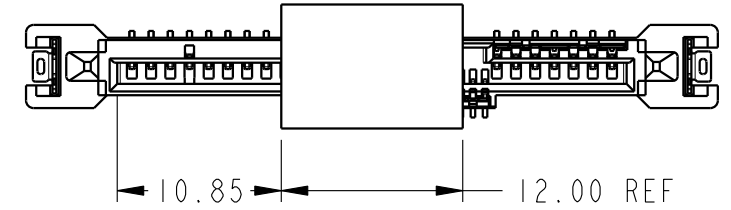
Creo File:ELX-WC-A3C,REV F,2020-12-21

© 2020 Amphenol Corporation  
 Amphenol FCI

PRODUCT NUMBER  
SEE TABLE

NOTES:

1. MATERIAL :
  - 1) HOUSING : HIGH TEMP THERMOPLASTIC, UL 94V-0  
COLOR : BLACK
  - 2) TERMINAL : COPPER ALLOY
  - 3) HOLD DOWN : COPPER ALLOY
2. FINISH :
  - 1) TERMINAL : 30μ" Au PLATING (CONTACT POINT) OVER 50μ" NICKEL
  - 2) SOLDER TAIL : 100μ" MIN Sn OVER 50μ" NICKEL
  - 3) HOLD DOWN : 100μ" MIN Sn OVER 50μ" NICKEL
3. PART WITH PICK-UP CAP, P/N XXXXXXXX-XXXCLF.
4. THE STD PACKAGING IS IN TRAY UNLESS OTHERWISE SPECIFIED.
5. PART NUMBER WITH SUFFIX "-TR" MEANS FOR TAPE & REEL PACKAGING (E.G. P/N: XXXXXXXX-XXXC-TRLF).
6. THE HOUSING WILL WITHSTAND EXPOSURE TO 260°C PEAK TEMPERATURE FOR 10 SECONDS IN A CONVECTION, INFRA-RED OR VAPOR PHASE REFLOW OVEN.
7. THIS PRODUCT MEETS EUROPEAN UNION DIRECTIVES AND OTHER COUNTRY REGULATIONS AS DESCRIBED IN GS-47-0004.
8. PART NUMBERS ENDING IN "LF" MEANS FOR NOTE 7 LEAD FREE IDENTIFICATION
9. DATE CODE LOCATION. DATE CODE NO. YYWW (E.G. 14225)
10. A  $\triangle F$  SYMBOL WILL BE NEXT TO ANY DIMENSION, VIEW, OR NOTE WHICH HAS BEEN MODIFIED WITH THE CURRENT DRAWING REVISION.



SCALE 2:1

spec ref -		dr	Noorhazlinda,	2017/04/12	projection	mm	size	A3	scale	1:1	
tolerance std ISO 406 ISO 1101		TOLERANCES UNLESS OTHERWISE SPECIFIED			eng	Wai-Bin Cho	2021/11/12	ecn no ELX-M-42914-1			
		chr	-			product family		SAS	rel level Released		
surface		linear	0.X	±-	Amphenol FCi	24G SAS RECEPTACLE		dwg no	10142500		
			0.XX	±0.20		VERTICAL SMT TYPE ASSY			rev		F
ISO 1302		angular	0°	±2°		cat. no. -			Product - Customer Drw		sheet 3 of 3