

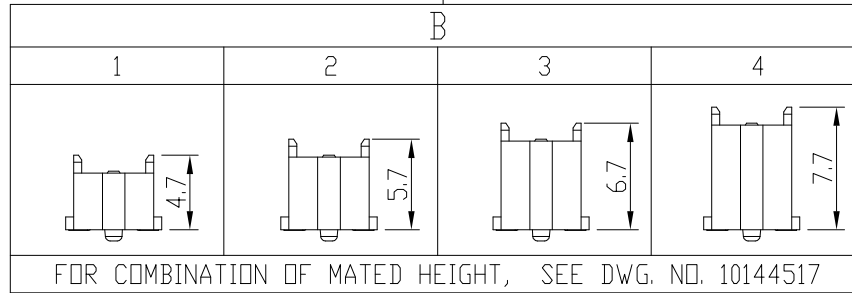
10144518- AA B C D E FF

AA	NO. OF POSITIONS
03	2X15
04	2X20
06	2X30
08	2X40
10	2X50
12	2X60
14	2X70

NOTE 6

E	PACKAGING
2	T&R WITH METAL CAP
3	T&R WITHOUT CAP

D	PEG	HOLD DOWN
0	YES	NO
2	NO	NO



C	PLATING	FF
8	GOLD FLASH ON CONTACT AREA ; PURE MATT TIN 2.5um MIN ON SOLDER TAIL; NICKEL UNDERPLATE OVERALL 1.27um. (LEADFREE PLATING)	LF

NOTE:

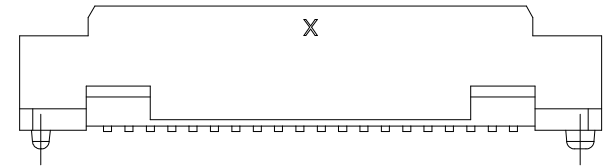
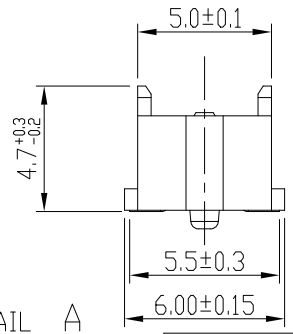
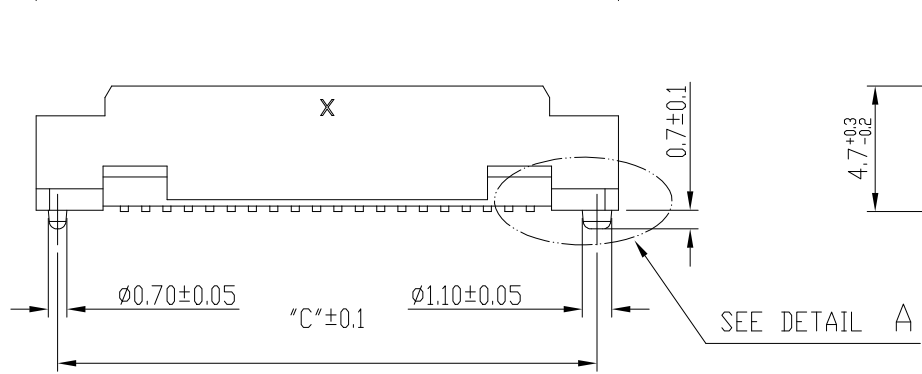
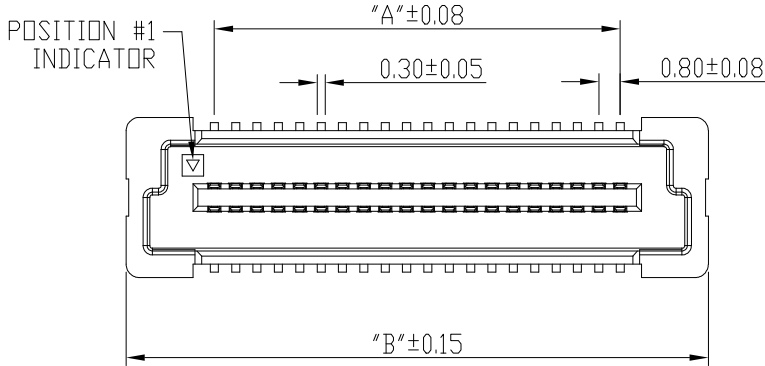
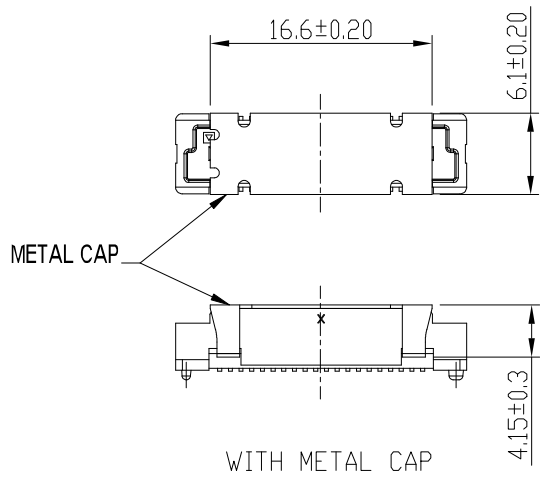
- MATERIAL:
HOUSING: G.F. LCP, NATURAL, UL94-V0
TERMINAL: COPPER ALLOY
- PLATING: AS SHOWN IN TABLE.
- SEE GS-12-1424 FOR PRODUCT SPEC.
- THIS PRODUCT MEETS THE EUROPEAN UNION DIRECTIVES AND OTHER COUNTRY REGULATIONS AS DESCRIBED IN GS-47-0004.
- THE HOUSING WILL WITHSTAND EXPOSURE UP TO 260~ PEAK TEMPERATURE FOR 30 SECONDS IN A CONVECTION, INFRA-RED OR VAPOR PHASE REFLOW OVEN.
- 2X15POS ONLY PLUG2 IS AVAILABLE.

mat'l. code		surface <input checked="" type="checkbox"/> ISO 1302		tolerance <input checked="" type="checkbox"/> ISO 406		projection <input checked="" type="checkbox"/> ISO 1101		product family	
A		tolerances unless otherwise specified		linear		mm		BERGSTAK	
B		angles		linear		mm		title	
C		0°±3'		linear		mm		PLUG ASSY	
D		0°±3'		linear		mm		BERGSTAK 0.8MM	
E		0°±3'		linear		mm		scale 1:1	
sheet		revision		appd		Amphenol FCI		dwg no	
index		sheet		Tim Yao		FCI		sheet 1 of 6	
		A B C D E		1~6 1~6 1~6 1~6				size	
								A3	
								type	
								Product Customer Drawing	

PRODUCT NO.	NO. OF POSITION	DIMENSION		
		A	B	C
10144518-041***	2X20	15.2	21.8	20.2
10144518-061***	2X30	23.2	29.8	28.2
10144518-081***	2X40	31.2	37.8	36.2
10144518-101***	2X50	39.2	45.8	44.2
10144518-121***	2X60	47.2	53.8	52.2
10144518-141***	2X70	55.2	61.8	60.2

COPLANARITY OF TAIL:
0.10 MAX. APPLIED TO 2X20 TO 2X60 POS

DETAIL A
SCALE 10:1



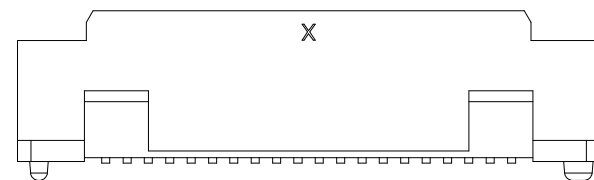
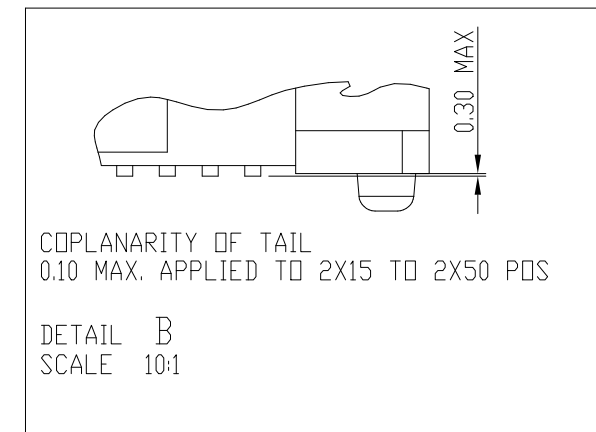
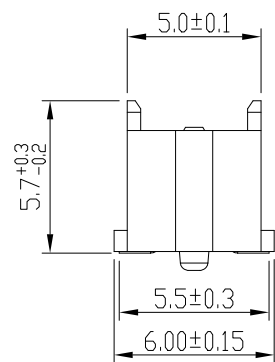
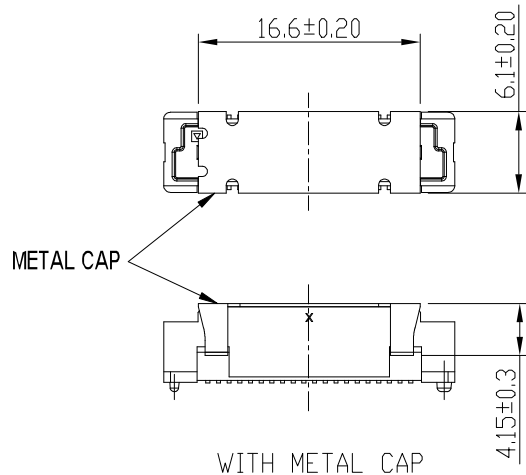
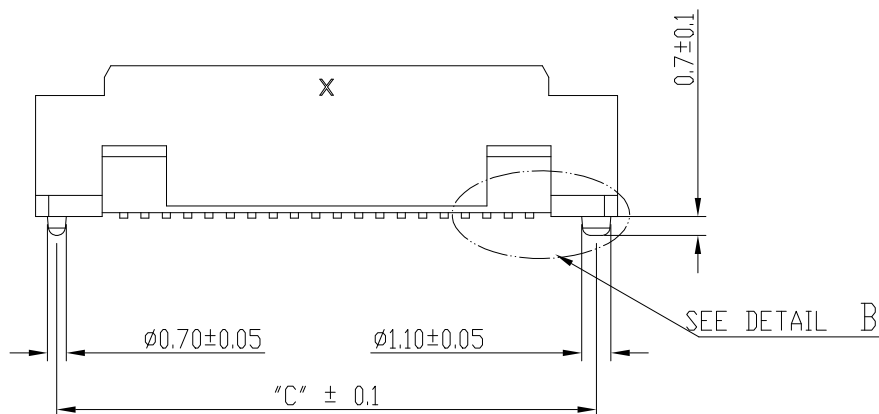
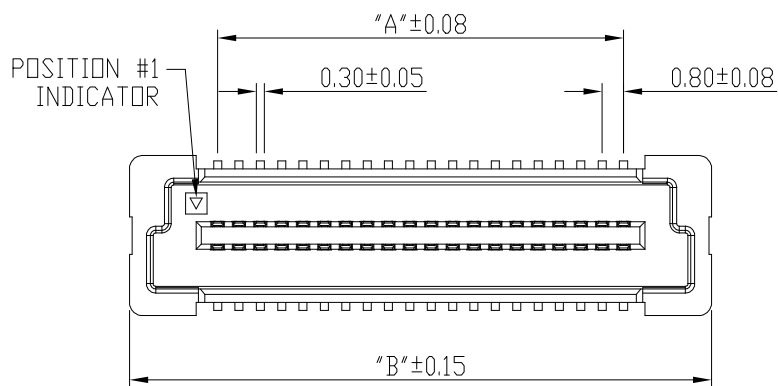
PLUG 1

mat'l. code		surface	tolerance	projection	product family
ISO 1302		ISO 406	ISO 1101	BERGSTAK	
ltr	ecn no	dr	date	tolerances unless otherwise specified	title
E				mm	PLUG ASSY BERGSTAK 0.8MM
angles		linear	0°±3'	scale 1:1	dwg no
					sheet 2 of 6
dr		Bob Gu	2017-07-05	Amphenol FCI	size
engr		Alan Ni	2022-03-24		A3
chr		LQ Lei	2022-03-24		
appd		Tim Yao	2022-03-24		
sheet index	revision sheet	E	1~6	type Product Customer Drawing	

Amphenol
FCI

© 2016 AFCI

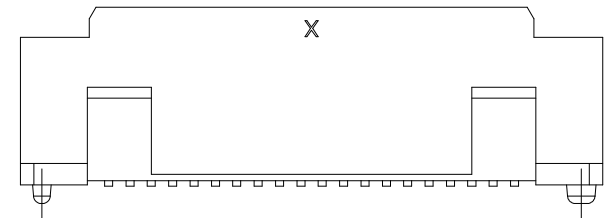
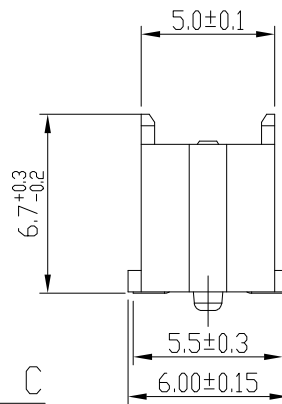
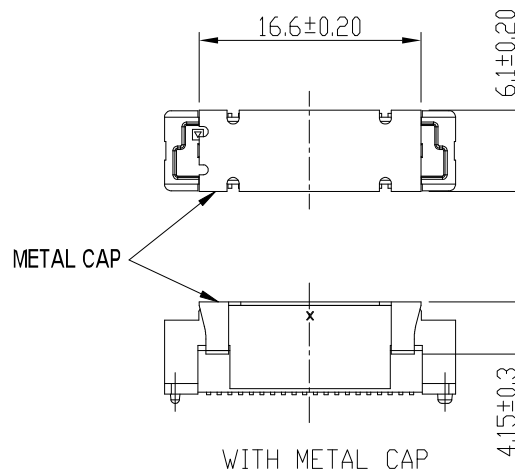
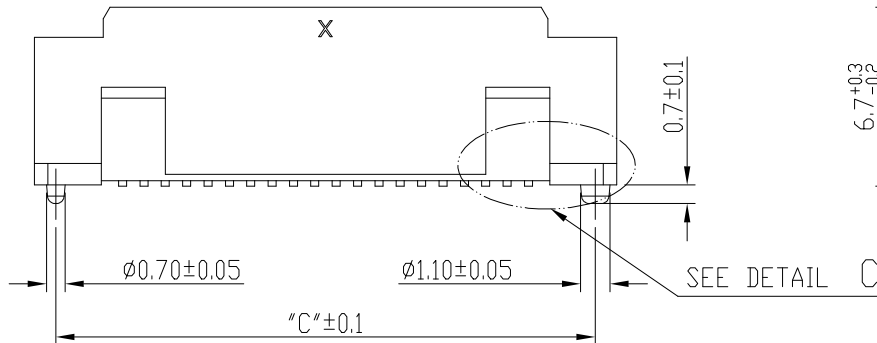
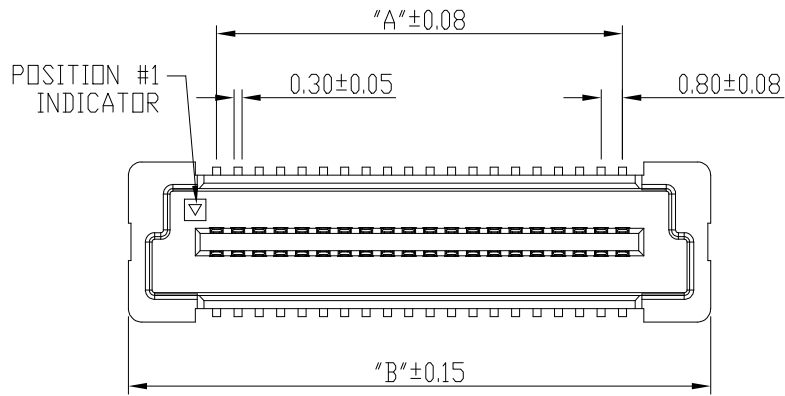
PRODUCT NO.	NO. OF POSITION	DIMENSION		
		A	B	C
10144518-032***	2X15	11.2	17.8	16.2
10144518-042***	2X20	15.2	21.8	20.2
10144518-062***	2X30	23.2	29.8	28.2
10144518-082***	2X40	31.2	37.8	36.2
10144518-102***	2X50	39.2	45.8	44.2



PLUG 2

mat'l. code		surface	tolerance	projection	product family
ISO 1302 ✓		ISO 406	ISO 1101	BERGSTAK	
ltr	ecn no	dr	date	tolerances unless otherwise specified	title
E				linear	PLUG ASSY BERGSTAK 0.8MM
				angles	mm
				0°±3'	scale 1:1
				dr	Bob Gu 2017-07-05
				engr	Alan Ni 2022-03-24
				chr	LQ Lei 2022-03-24
				appd	Tim Yao 2022-03-24
sheet index	revision sheet	E	1~6	Amphenol FCI	
				dwg no	sheet 3 of 6 size
				10144518	A3
				type Product Customer Drawing	

PRODUCT NO.	NO. OF POSITION	DIMENSION		
		A	B	C
10144518-043***	2X20	15.2	21.8	20.2
10144518-063***	2X30	23.2	29.8	28.2
10144518-083***	2X40	31.2	37.8	36.2
10144518-103***	2X50	39.2	45.8	44.2



COPLANARITY OF TAIL:
0.10 MAX. APPLIED TO 2X20 TO 2X50
PDS

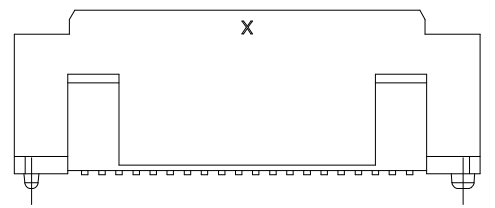
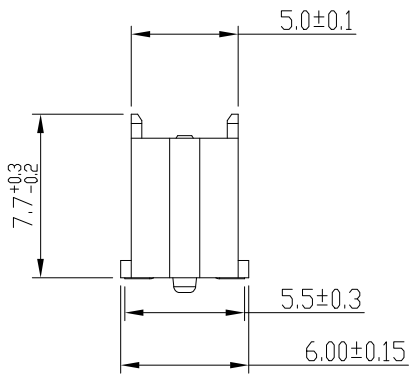
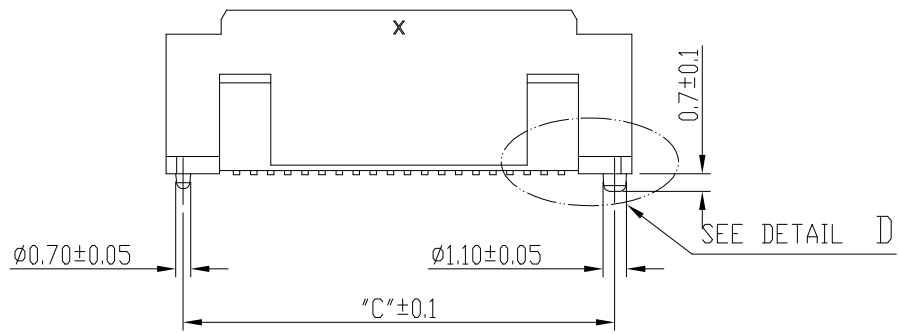
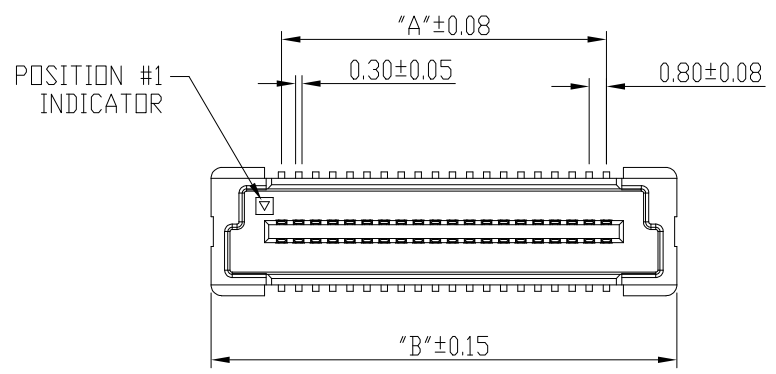
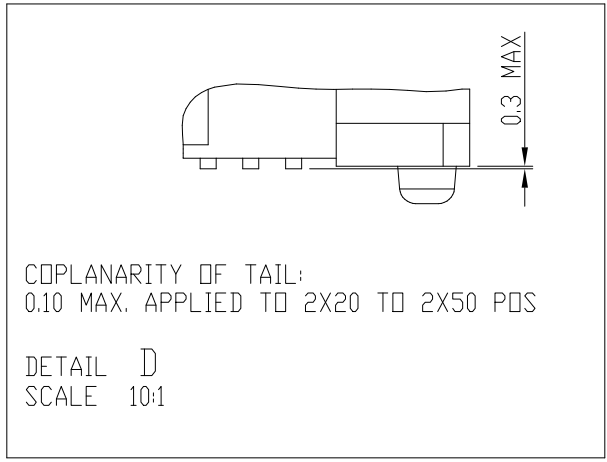
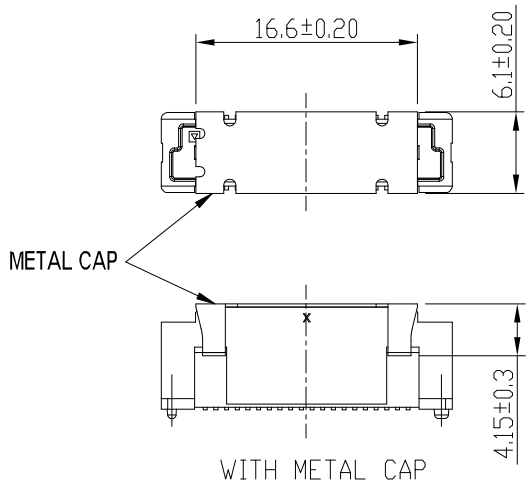
DETAIL C
SCALE 10:1

PLUG 3

mat'l. code		surface	tolerance	projection	product family
		ISO 1302 ✓	ISO 406 ISO 1101		BERGSTAK
ltr	ecn no	dr	date	tolerances unless otherwise specified	title
E				linear	PLUG ASSY BERGSTAK 0.8MM
				angles	mm
				0°±3'	scale 1:1
				dr	Bob Gu 2017-07-05
				enr	Alan Ni 2022-03-24
				chr	LQ Lei 2022-03-24
				appd	Tim Yao 2022-03-24
sheet	revision	E			Amphenol FCI
index	sheet	1~6			dwg no 10144518 sheet 4 of 6 size A3
					type Product Customer Drawing

© 2016 AFCE
 Amphenol FCI

PRODUCT NO.	NO. OF POSITION	DIMENSION		
		A	B	C
10144518-044***	2X20	15.2	21.8	20.2
10144518-064***	2X30	23.2	29.8	28.2
10144518-084***	2X40	31.2	37.8	36.2
10144518-104***	2X50	39.2	45.8	44.2



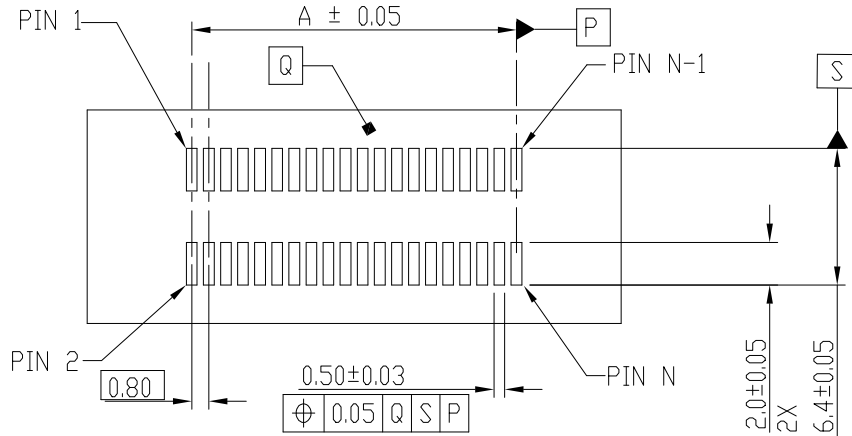
PLUG 4

mat'l. code		surface	tolerance	projection	product family
		ISO 1302 ✓	ISO 406 ISO 1101		BERGSTAK
ltr	ecn no	dr	date	tolerances unless otherwise specified	title
E				linear	PLUG ASSY
				angles	BERGSTAK 0.8MM
				0°±3'	mm
				.0±.2	scale 1:1
				.00±.15	dwg no
				.000±.10	sheet 5 of 6
		dr	Bob Gu	2017-07-05	size
		enr	Alan Ni	2022-03-24	A3
		chr	LQ Lei	2022-03-24	
		appd	Tim Yao	2022-03-24	
sheet	revision	type Product Customer Drawing			
index	sheet	E			
		1~6			

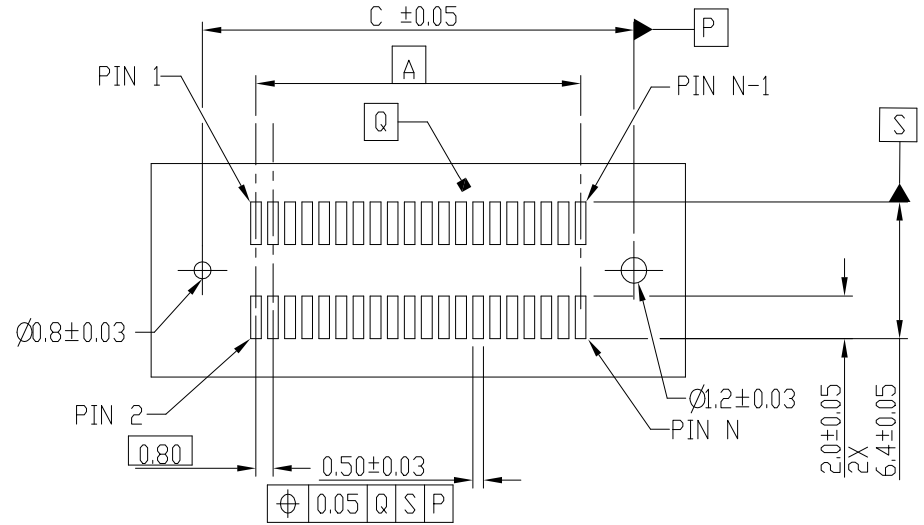
Amphenol FCI
 © 2016 AFCI



FOR PLUG 1/2/3/4



RECOMMENDED PCB LAYOUT WITHOUT PEG AND HOLDDOWN FOR NO. OF PDS 2X15, 2X20, 2X30, 2X40, 2X50, 2X60, 2X70



RECOMMENDED PCB LAYOUT WITH PEG FOR NO. OF PDS 2X15, 2X20, 2X30, 2X40, 2X50, 2X60, 2X70

Amphenol FCI

© 2016 AFCI

mat'l. code		surface	tolerance	projection	product family
		ISO 1302 ✓	ISO 406 ISO 1101		BERGSTAK
ltr	ecn no	dr	date	tolerances unless otherwise specified	title
E				linear	PLUG ASSY BERGSTAK 0.8MM
				mm	
				scale 1:1	dwg no
					sheet 6 of 6
					size
					A3
					type
					Product Customer Drawing
sheet index	revision sheet	E	1~6		