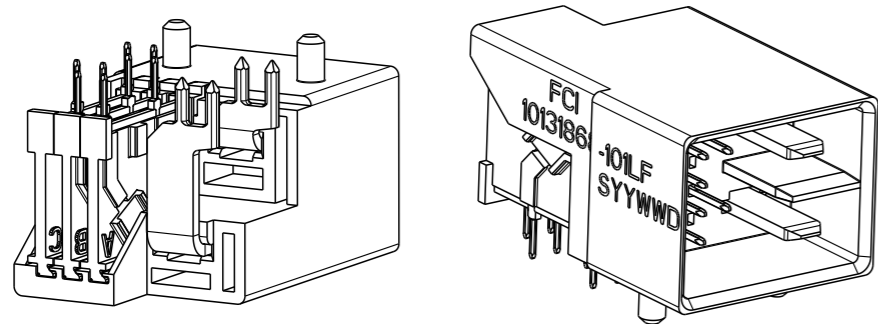
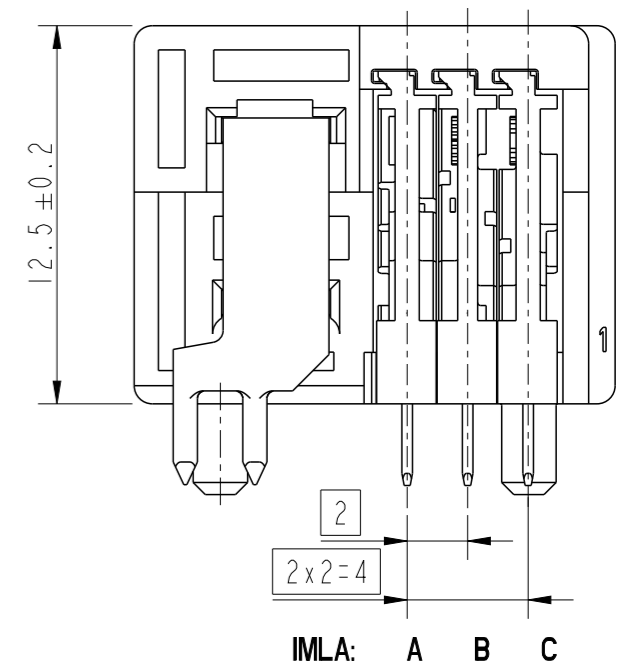
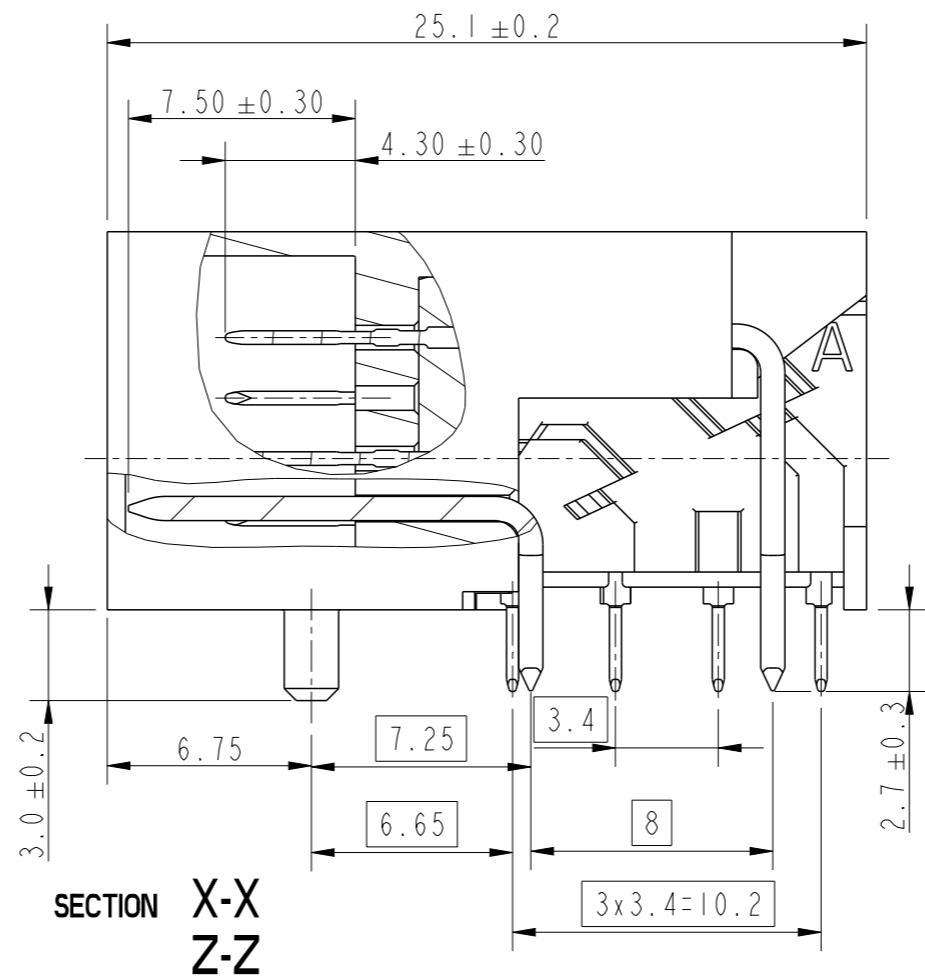
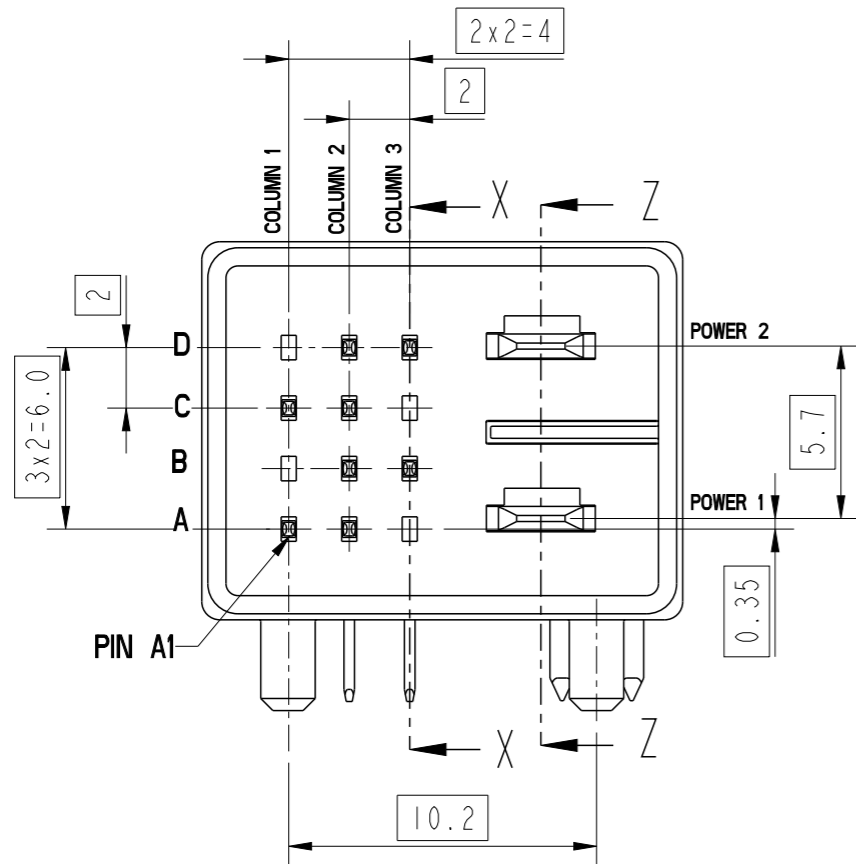
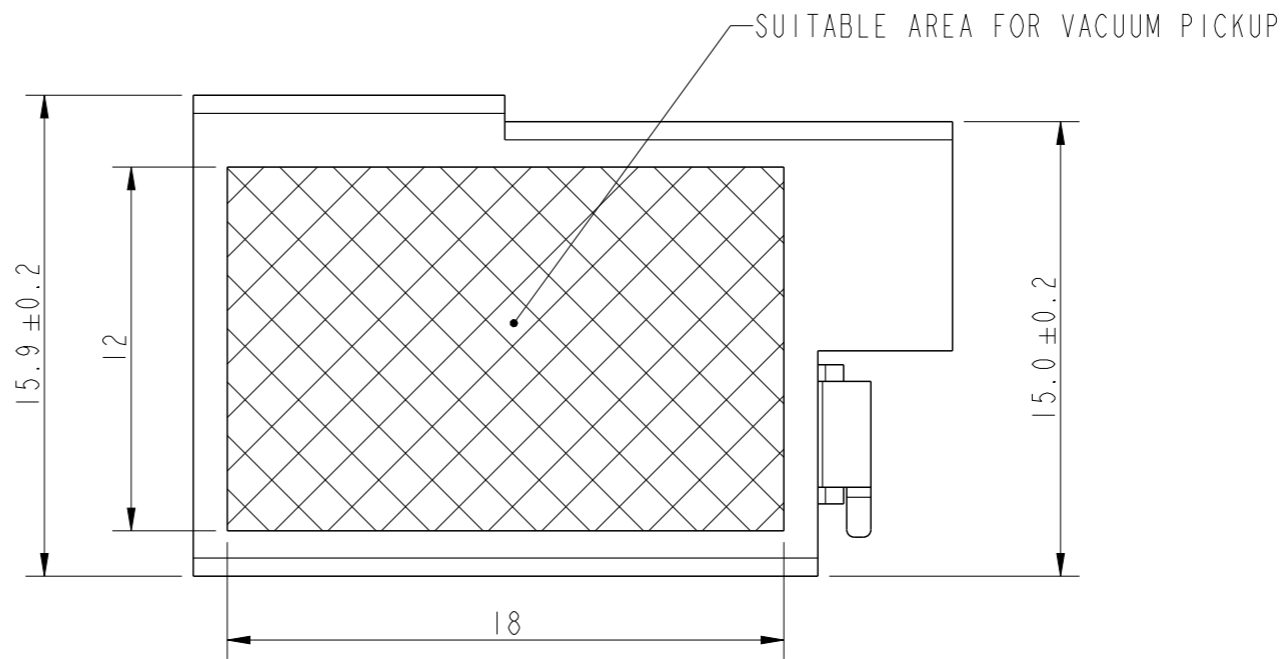


PRODUCT NUMBER
SEE TABLE 1, SHEET 2



spec ref	-	dr	Alosius, Stali	2015/09/23	projection	mm	size	A3	scale	2:1
tolerance std	ISO 406 ISO 1101	eng	Alosius, Stali	2022/05/18			ecn no	ELX-I-44756-1	rel level	Released
TOLERANCES UNLESS OTHERWISE SPECIFIED		chr	-	-			product family	METRAL HDXS	rel level	Released
surface	linear	0.X	±0.3	Amphenol FCI	title HYBRID SIGNAL&POWER OCTIS RA BOARD CONNECTOR 8 SIG 2 PWR PIP TERMINATION		dwg no	10131868-101	rev	G
		0.XX	±0.10		cat. no.	-	Product - Customer Drw	sheet 1 of 7		
	angular	0°	±2°							

1

2

3

4

A

A

TABLE I

AFCI PART NO:	SIGNAL CONTACT LOADING POSITION				POWER
	ROW	COLUMN1	COLUMN2	COLUMN3	
10131868-101LF	D	-	X	X	X 2
	C	X	X	-	
	B	-	X	X	X 1
	A	X	X	-	
10131868-10210SLF	D	X	X	X	X 2
	C	X	X	-	
	B	X	X	X	X 1
	A	X	X	-	
10131868-10312SLF	D	X	X	X	X 2
	C	X	X	X	
	B	X	X	X	X 1
	A	X	X	X	
"X" INDICATES CONTACTS LOADED POSITION					

B

B

C

C

D

D

spec ref	-			dr	Alosius, Stali	2015/09/23	projection	mm	size	A3	scale	2:1	
tolerance std	TOLERANCES UNLESS OTHERWISE SPECIFIED			eng	Alosius, Stali	2022/05/18		←→	ecn no	ELX-I-44756-1			
ISO 406				chr	-	-			rel level	Released			
ISO 1101				appr	Kuriakose, San	2022/05/19	product family	METRAL HDXS					
surface	linear	0.X	±0.3	Amphenol FCI			HYBRID SIGNAL&POWER OCTIS RA BOARD CONNECTOR			10131868-101		rev	G
		0.XX	±0.10										
		0.XXX	±0.050										
ISO 1302	angular	0°	±2°	cat. no.	-			Product - Customer Drw		sheet 2 of 7			

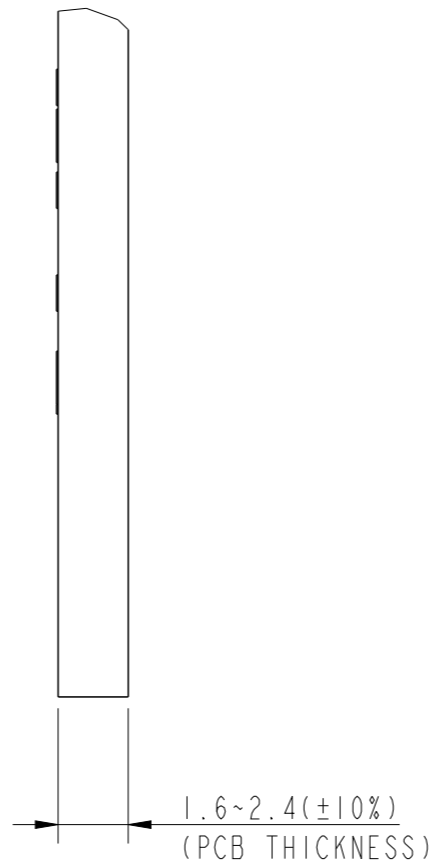
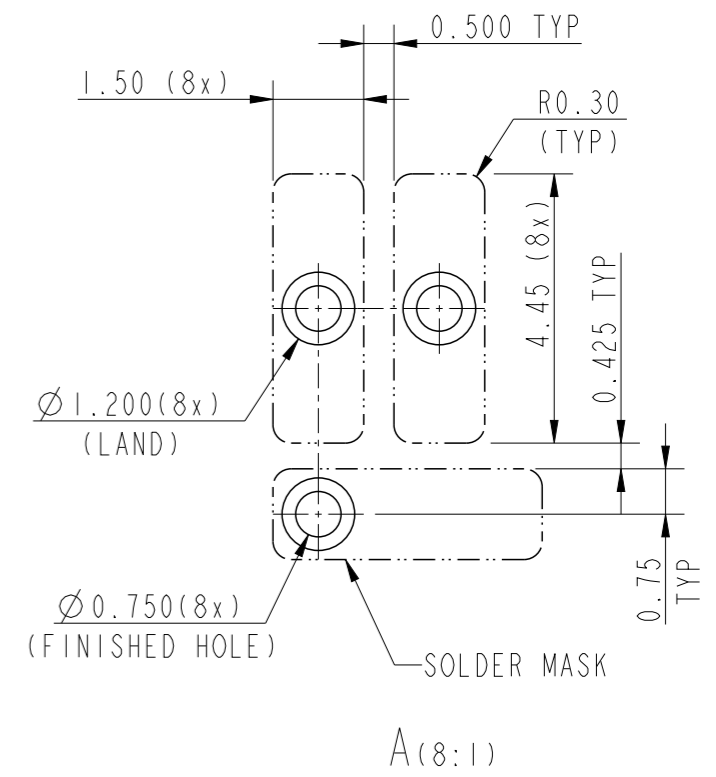
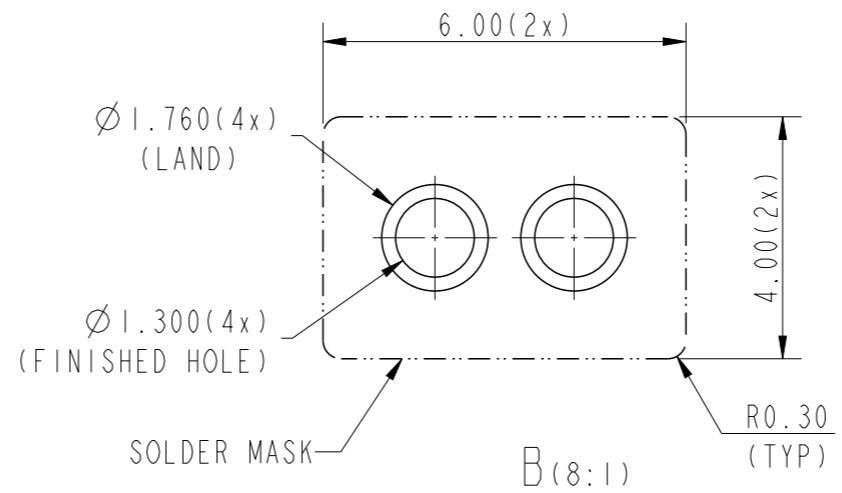
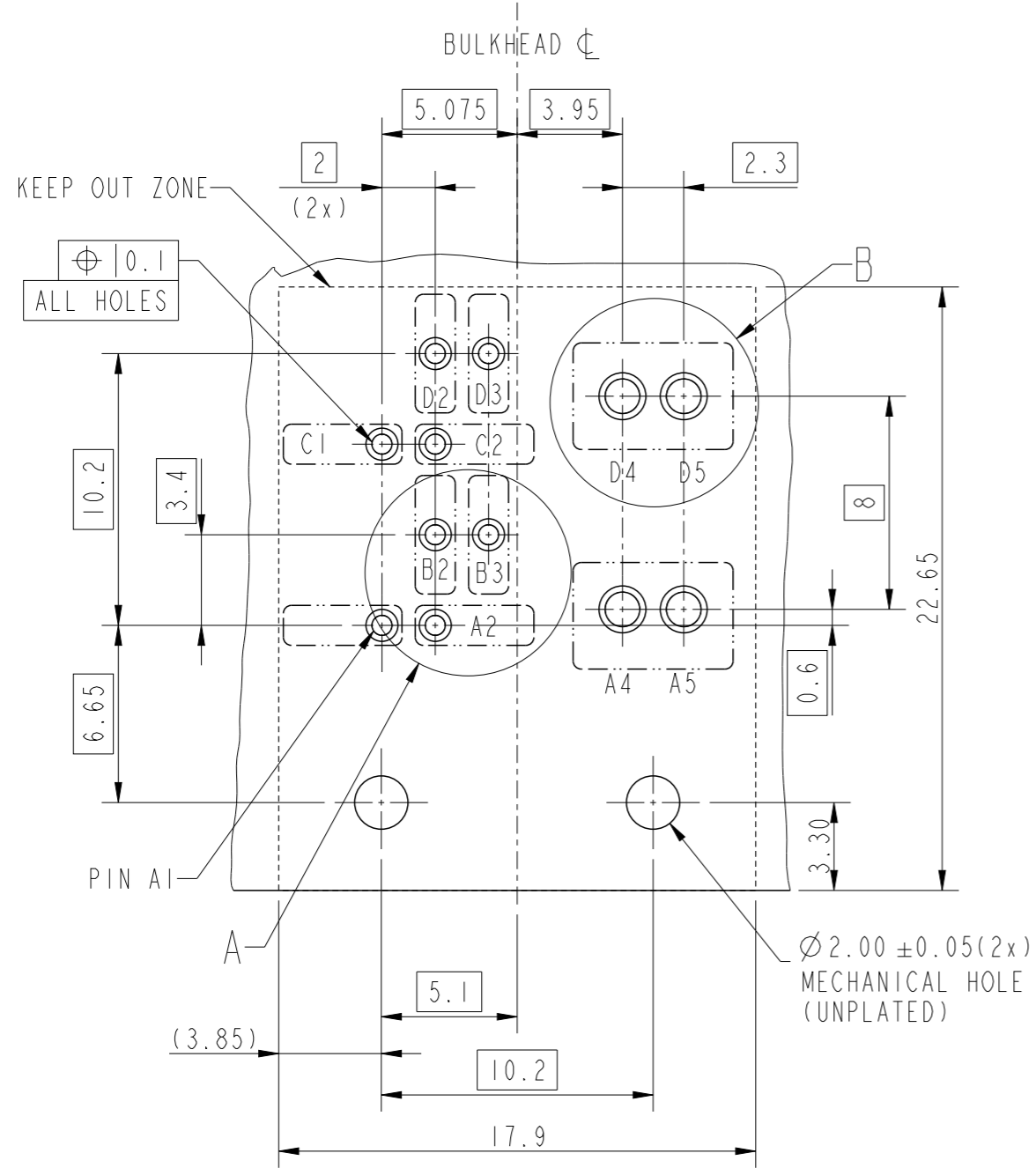
2

3

Amphenol FCI

© 2020 Amphenol Corporation

VIEW FROM COMPONENT SIDE
PCB LAYOUT FOR 10131868-101LF



CONNECTOR NOTES:

- MATERIAL :
- RESIN - LCP, GLASS FILLED, FLAME RETARDANT ACC
FLAMMABILITY CLASIFICATION - UL94-V0
- SIGNAL & POWER CONTACTS - COPPER ALLOY
- PLATING :
- GOLD OVER PALLADIUM NICKEL ON CONTACT AREA OF SIGNALS
- PURE TIN AT TERMINAL AREA OF SIGNALS
- PURE TIN ON POWER CONTACTS
- PRODUCT SPECIFICATION: GS-12-1334
- APPLICATION SPECIFICATION: GS-20-0454
- PACKAGING - TAPE & REEL
PACKAGING SPECIFICATION: GS-14-2514
- UNDER PLATING FOR CONTACTS - $1.27 \mu m$ NICKEL.
- PRODUCT WILL WITHSTAND EXPOSURE TO 260° FOR 60 SECONDS IN A CONVECTION, INFRA RED OR VAPOUR PHASE REFLOW OVEN
- PRODUCT WHERE THE PARTNUMBER ENDS IN LF MEETS EUROPEAN DIRECTIVES AND OTHER COUNTRY REGULATIONS AS DESCRIBED IN GS-47-0004.

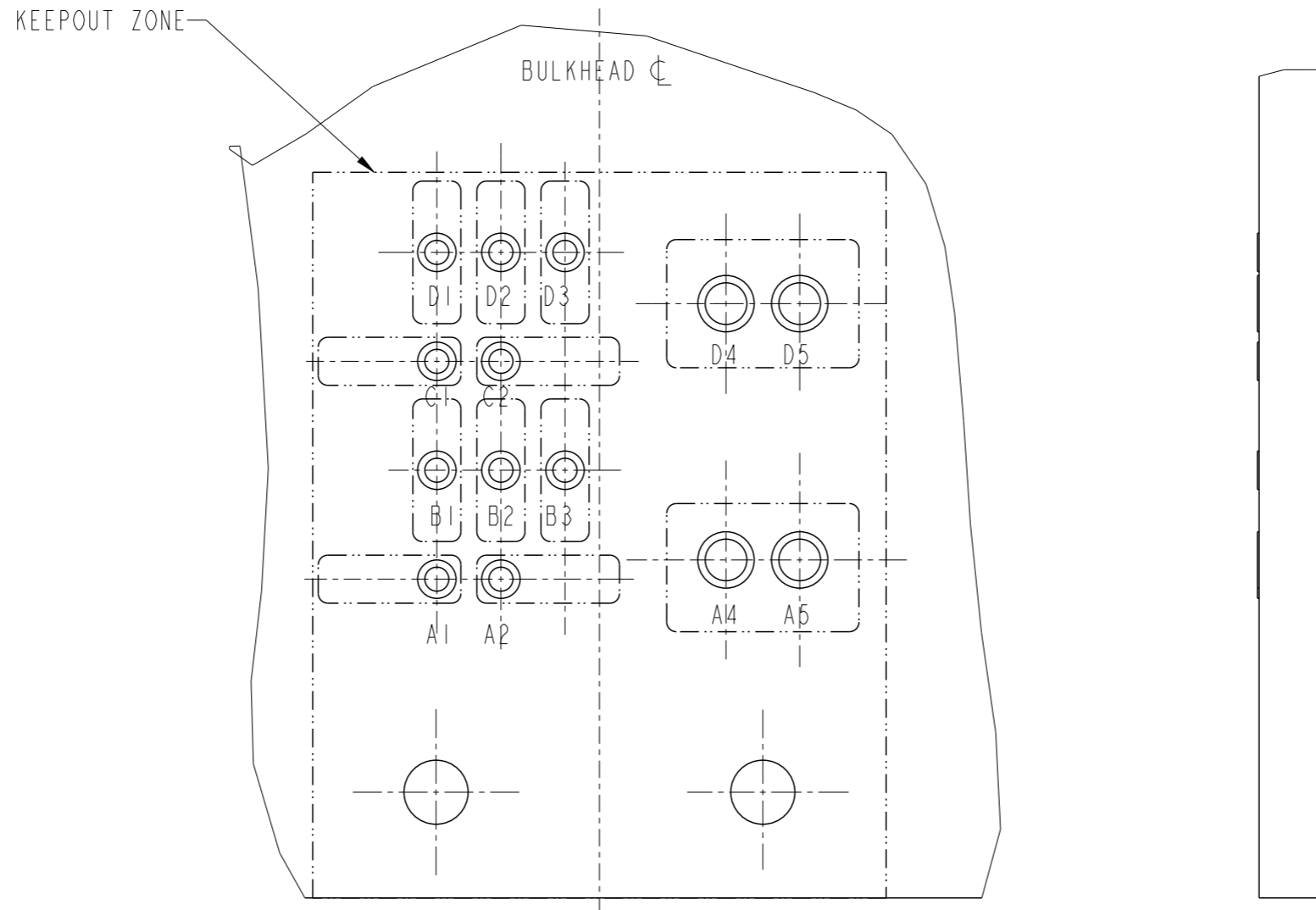
Amphenol
FCi

© 2020 Amphenol Corporation

	SIGNAL PTH DETAILS	POWER PTH DETAILS
DRILLED HOLE	0.82-0.87mm	1.37-1.42mm
COPPER PLATING	25-50 μm	25-50 μm
TIN PLATING	0.8-1.2 μm	0.8-1.2 μm
FINISHED HOLE DIA	0.70-0.80mm	1.25-1.35mm

spec ref	-	dr	Alosius, Stali	2015/09/23	projection		size	A3	scale	2:1
tolerance std	ISO 406 ISO 1101	eng	Alosius, Stali	2022/05/18	chr	-	ecn no	ELX-I-44756-1		
surface	ISO 1302	appr	Kuriakose, San	2022/05/19	product family	METRAL HDXS	rel level	Released		
	linear				Amphenol FCi	HYBRID SIGNAL&POWER OCTIS RA BOARD CONNECTOR	dwg no	10131868-101	rev	G
	angular					8 SIG 2 PWR PIP TERMINATION	cat. no.	-	Product - Customer Drw	sheet 3 of 7

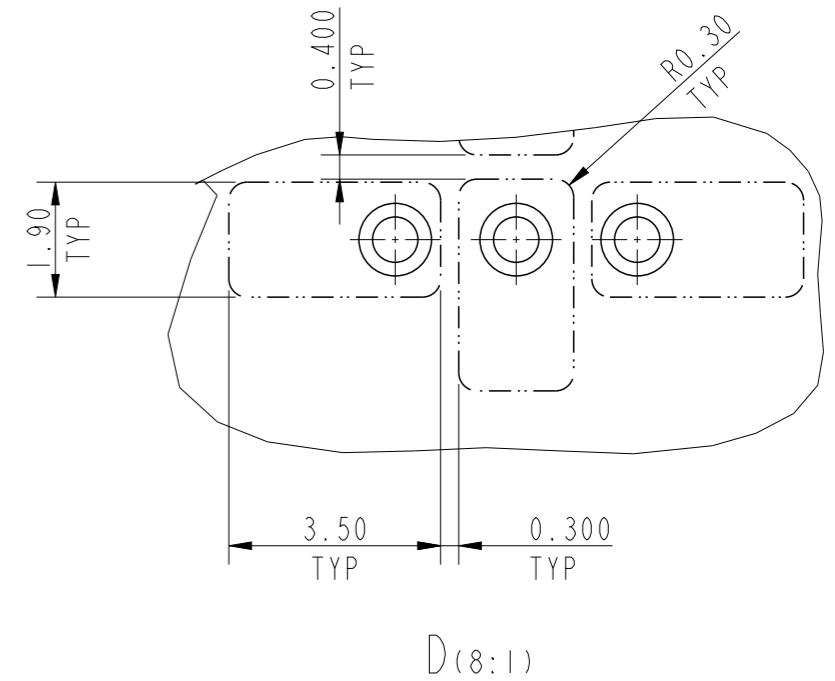
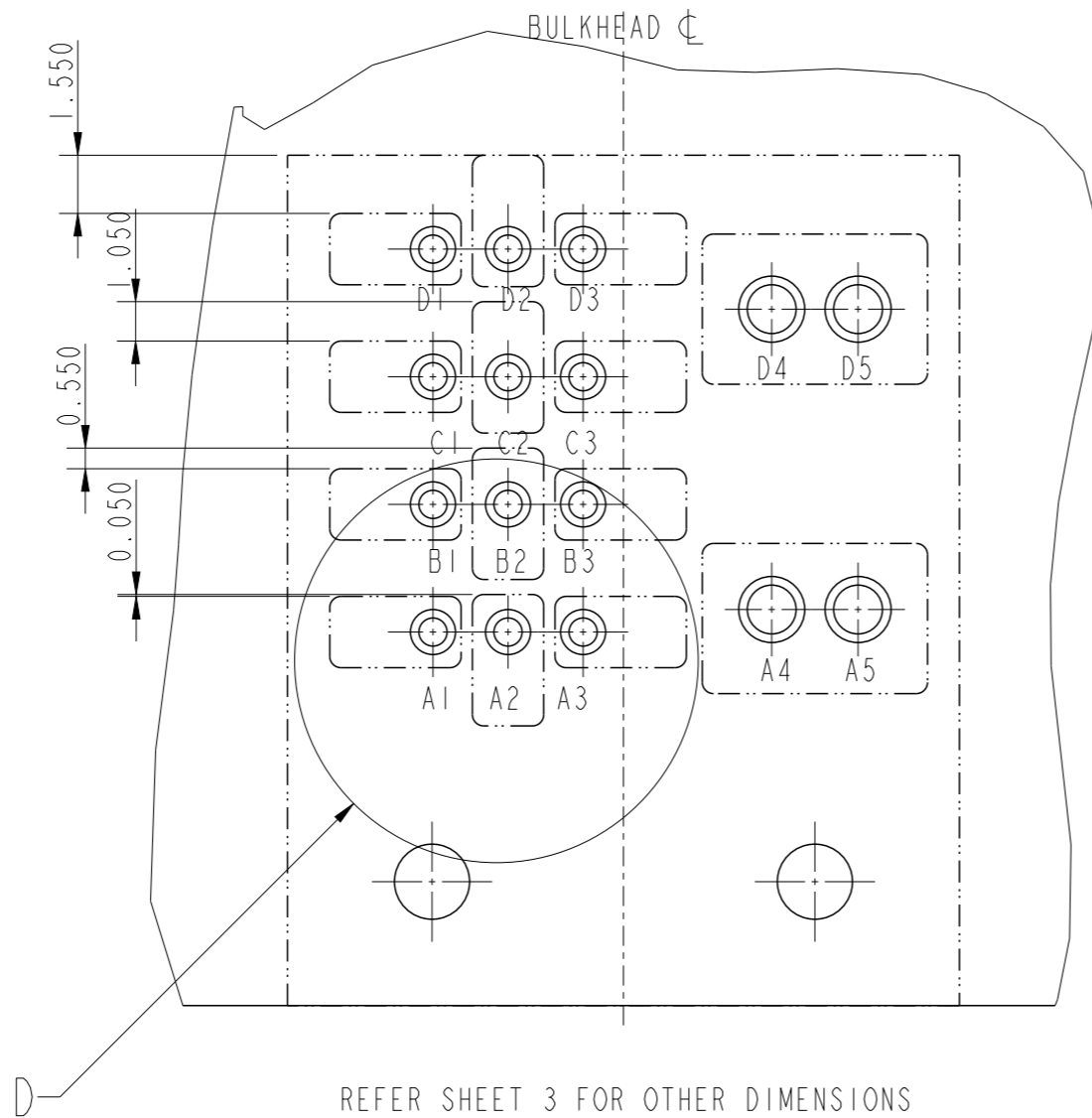
PCB LAYOUT FOR 10131868-10210SLE
(10 SIGNAL 2 POWER)



REFER SHEET 3 FOR DIMENSIONS

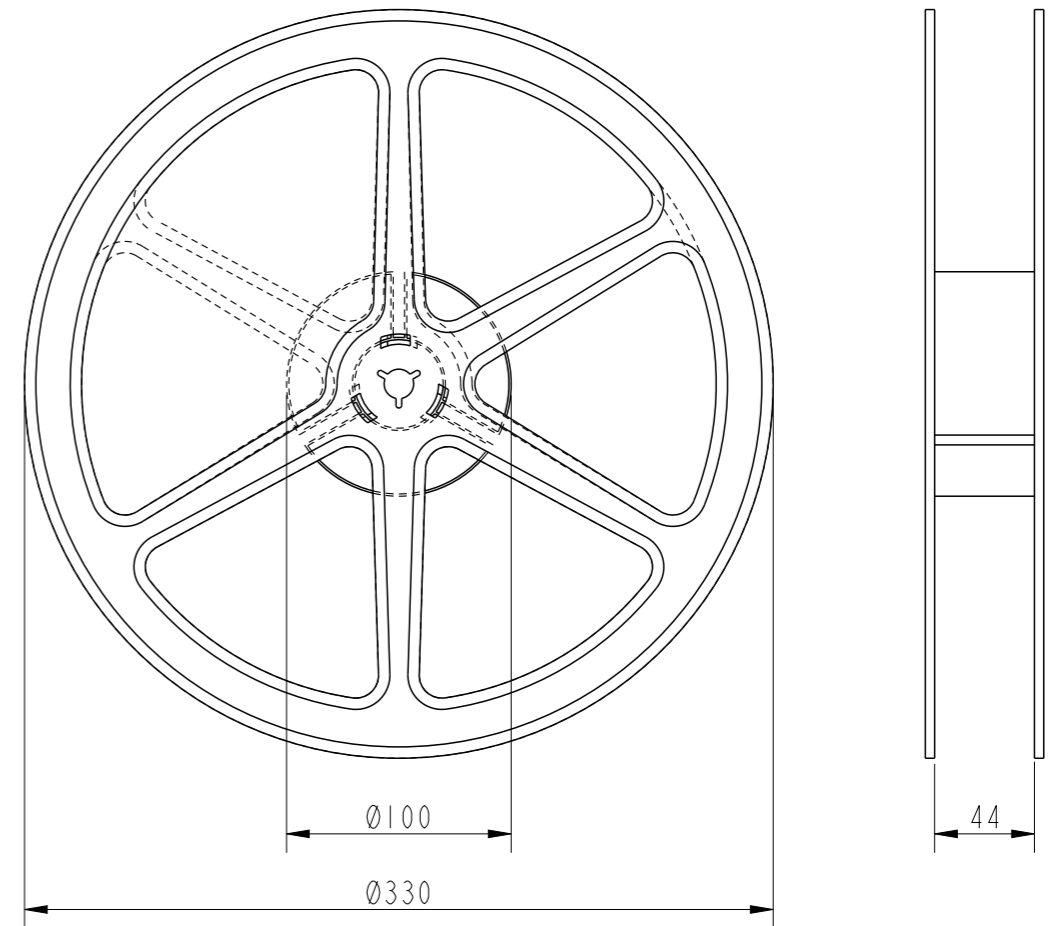
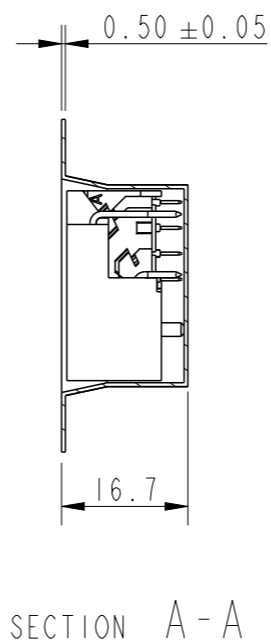
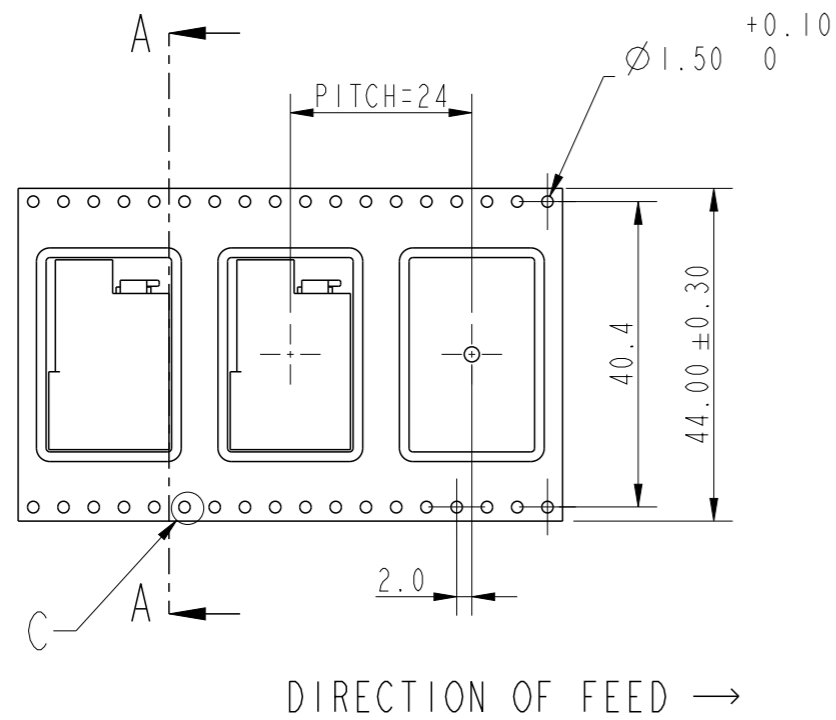
spec ref	-			dr	Alosius, Stali	2015/09/23	projection	mm	size	A3	scale	2:1
tolerance std	ISO 406 ISO 1101			eng	Alosius, Stali	2022/05/18		← →	ecn no		ELX-I-44756-1	
TOLERANCES UNLESS OTHERWISE SPECIFIED			chr	-	-	product family			METRAL HDXS	rel level		Released
surface	linear	0.X	±0.3	Amphenol FCi	HYBRID SIGNAL&POWER OCTIS RA BOARD CONNECTOR			dwg no	10131868-101		rev	G
		0.XX	±0.10		8 SIG 2 PWR PIP TERMINATION							
ISO 1302	angular	0°	±2°		cat. no.	-						

PCB LAYOUT FOR 10131868-10312SLF
(12 SIGNAL 2 POWER)



spec ref	-			dr	Alosius, Stali	2015/09/23	projection	mm	size	A3	scale	1:1
tolerance std	TOLERANCES UNLESS OTHERWISE SPECIFIED			eng	Alosius, Stali	2022/05/18		mm	ecn no			ELX-I-44756-1
ISO 406 ISO 1101				chr	-	-			rel level			Released
surface	linear	0.X	±0.3	appr	Kuriakose, San	2022/05/19	product family			METRAL HDXS		
		0.XX	±0.10	Amphenol FCI			title			HYBRID SIGNAL&POWER OCTIS RA BOARD CONNECTOR	rev	
		0.XXX	±0.050				title			8 SIG 2 PWR PIP TERMINATION		
ISO 1302	angular	0°	±2°	cat. no.			-	Product - Customer Drw			sheet 5 of 7	

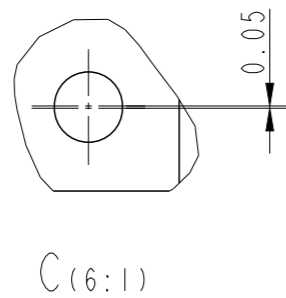
PACKAGING SPECIFICATION



TAPE & REEL PACKING DETAILS

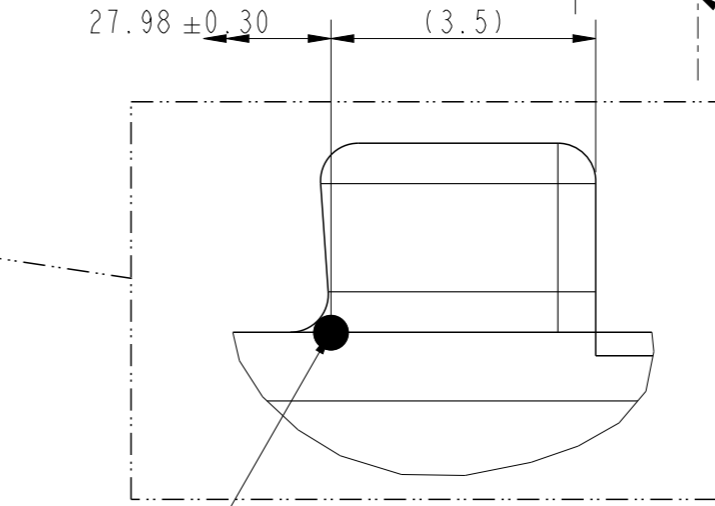
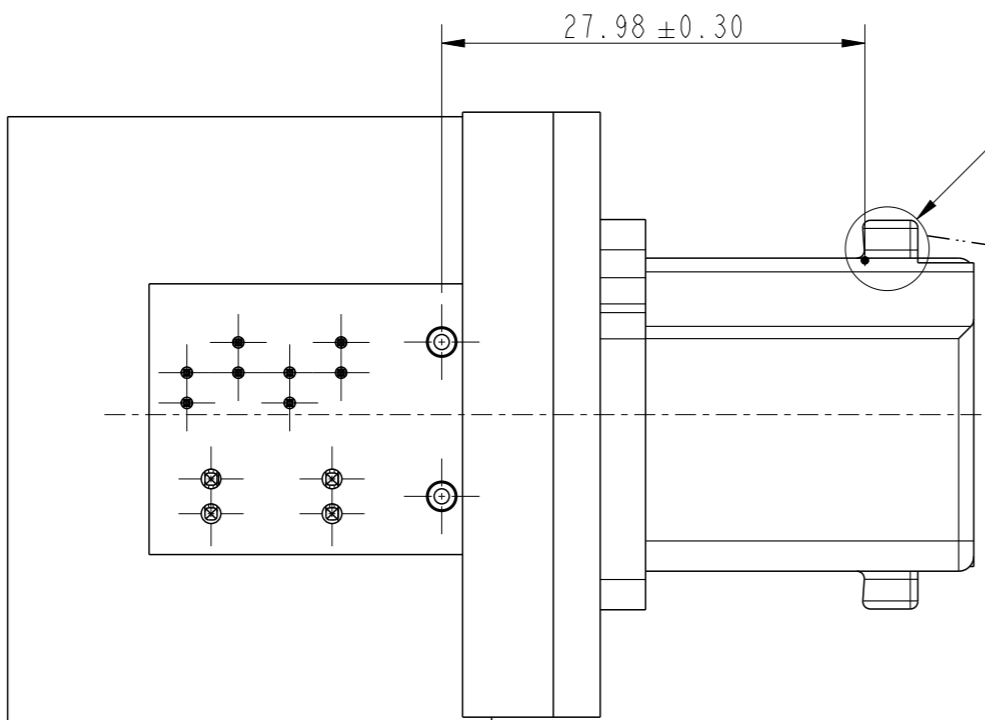
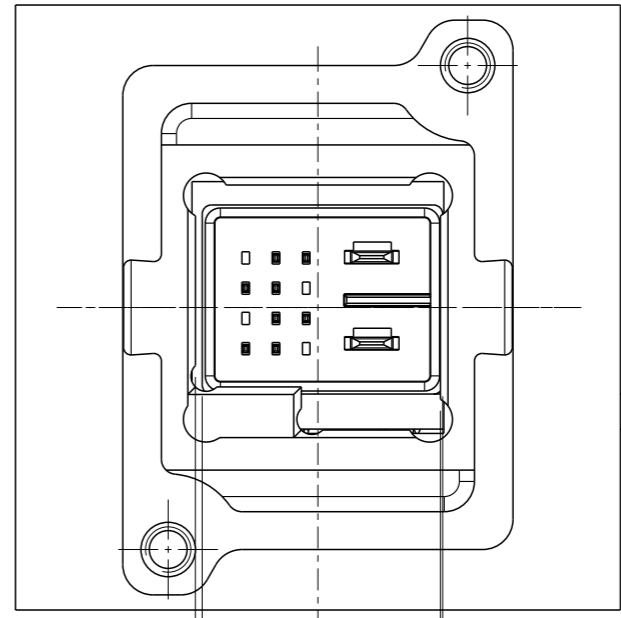
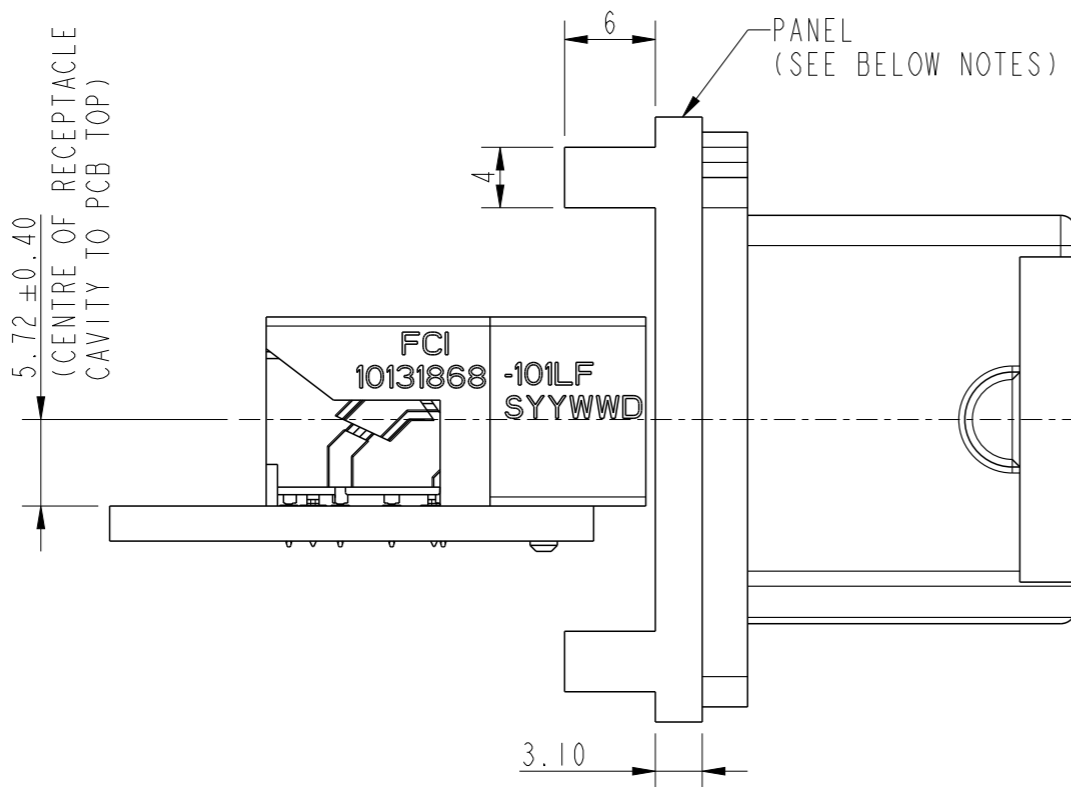
NOTES:

- CONNECTORS PACKED PER REEL : 150 PIECES
- PACKAGING DETAILS AS PER EIA-481 STD.
- PACKING SHOULD BE ANTISTATIC.
- MATERIAL :
CARRIER TAPE : POLYSTYRENE
COVER TAPE : POLYSTYRENE



spec ref	-	dr	Alosius, Stali	2015/09/23	projection	mm	size	A3	scale	1:1	
tolerance std	ISO 406 ISO 1101	eng	Alosius, Stali	2022/05/18			ecn no	ELX-I-44756-1			
TOLERANCES UNLESS OTHERWISE SPECIFIED		chr	-	-			rel level	Released			
surface	linear	appr	Kuriakose, San	2022/05/19	product family	-	dwg no	10131868-101		rev	G
ISO 1302	angular	Amphenol FCI		HYBRID SIGNAL&POWER OCTIS RA BOARD CONNECTOR 8 SIG 2 PWR PIP TERMINATION		cat. no.	-	Product - Customer Drw	sheet 6 of 7		
	0.X	±0.3									
	0.XX	±0.10									
	0.XXX	±0.050									
	0°	±2°									

5.72 ±0.40
(CENTRE OF RECEPTACLE
CAVITY TO PCB TOP)



±0.60
CENTERING OF THE
POWER RECEPTACLE
Vs RECEPTACLE CAVITY

REFERENCE
POINT

NOTES:

1. IF A SCREW TYPE BULKHEAD IS USED, THEN THE CASTED MOUNTING PANEL SHOULD HAVE ON ITS REAR SIDE AN INTEGRAL RECTANGULAR REINFORCED RIBS OF 6MM THICKNESS AND 4MM WIDTH ALONG THE MOUNTING SCREW PLANE AT THE TOP AND BOTTOM TO ACCOMODATE THE BLIND INTERNAL SCREW THREAD. IT IS NOT APPLICABLE FOR INTEGRATED BULKHEAD CASTED WITH MOUNTING PANEL
2. IF THE BULKHEAD IS SCREW TYPE THEN THE SCREWS TO BE USED ARE M3; RECOMMENDED SCREW - M3X8MM; MATERIAL-STAINLESS STEEL
3. BULKHEAD PART NO. -10138461-101LF

Amphenol
FCi

© 2020 Amphenol Corporation

spec ref	-	dr	Alosius, Stali	2015/09/23	projection	mm	size	A3	scale	1:2
tolerance std	ISO 406 ISO 1101	eng	Alosius, Stali	2022/05/18			ecn no	ELX-I-44756-1		
TOLERANCES UNLESS OTHERWISE SPECIFIED		chr	-	-			rel level	Released		
surface	linear	0.X	±0.3	Amphenol FCi	product family	HYBRID SIGNAL&POWER OCTIS RA BOARD CONNECTOR		dwg no 10131868-101	rev G	
		0.XX	±0.10		8 SIG 2 PWR PIP TERMINATION					
	angular	0°	±2°		cat. no.	Product - Customer Drw		sheet 7 of 7		