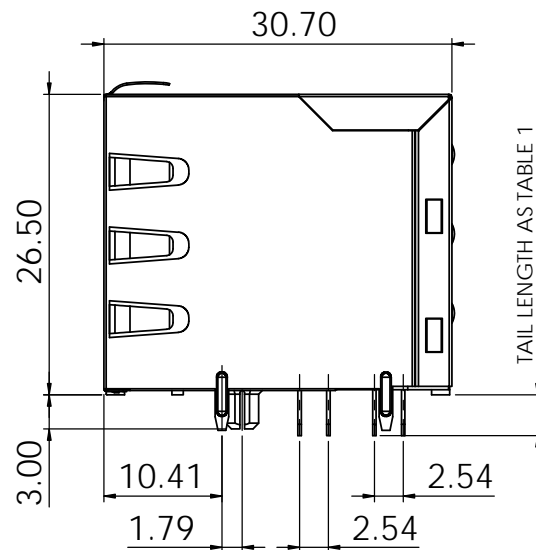
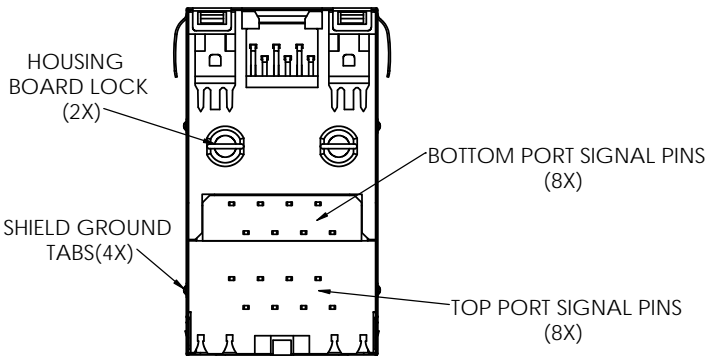


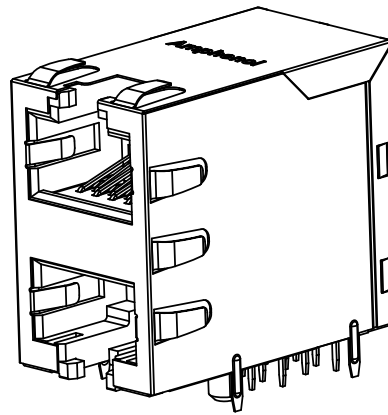
FRONT VIEW



SIDE VIEW



BACK VIEW



ISOMETRIC VIEW

REVISIONS			
REV	DESCRIPTION, ECN, EAR NO.	DATE	APP'D
A	PROPOSAL DRAWING	NOV.12.2019	A.G
B	UPDATE NOTES	NOV.22.2019	A.G

NOTES:

MATERIALS:

- CONTACTS: PHOSPHOR BRONZE, SELECTIVE GOLD PLATING FOR MATING AREAS(TABLE 1) 50u" MIN. NICKEL OVERALL. 50u" MIN. TIN FINISH ON TAILS.
- HOUSING: HIGH TEMPERATURE ENGINEERING THERMOPLASTIC. COLOR: BLACK, FLAMMABILITY RATING UL 94V-0.
- SHIELD: STAINLESS STEEL, TIN FINISH GROUND TABS.
- PCB: FR-4.

ELECTRICAL:

- VOLTAGE RATING: 125 VAC.
- CURRENT RATING: 1.25 AMP PER CONTACT.
- INSULATING RESISTANCE: 500 MEGOHMS MINIMUM.
- DIELECTRIC STRENGTH: CONTACT TO SHIELD: 1,500 VAC, 60Hz, 1 MIN

ENVIRONMENTAL:

- STORAGE: -40° TO +85°.
- OPERATION: -40° TO +85°.
- MATES WITH MODULAR PLUG CONFORMING TO TIA 1096.
- RECOMMENDED SOLDER PROCESS: IR REFLOW, PEAK SOLDERING TEMPERATURE 255°C TO 265°C (5-8 SECONDS)

AMPHENOL PART NUMBER: RJE1R288XX5X0X, DETAILS AS TABLE 1.

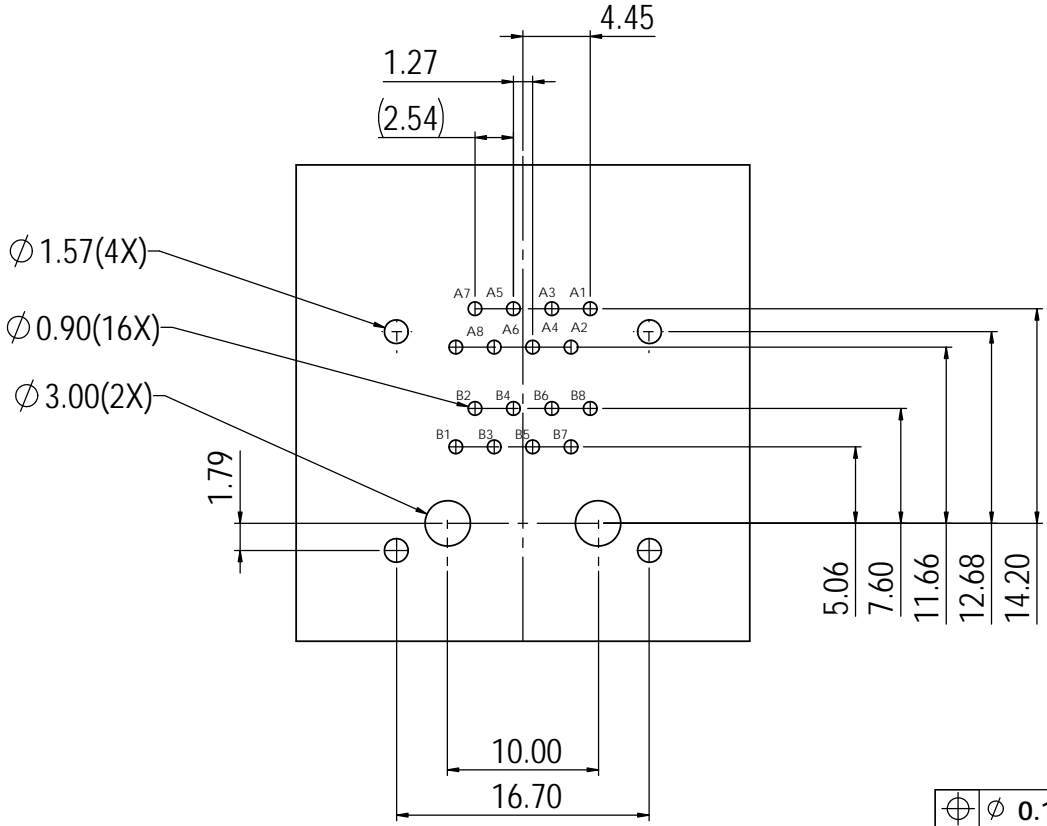


UNLESS SPECIFIED OTHERWISE	DRAWN	KELVIN T	NOV.12.19
PRIMARY UNITS	MILLIMETERS	CHECKED	
REFERENCE IN PARENTHESES	M.E. APP'D		
GENERAL TOLERANCES	Q.A. APP'D	A.GREEN	NOV.12.19
1 DECIMAL PLACE	±0.38	ENG. REL. NO.	
2 DECIMAL PLACES	±0.25	REF.	
3 DECIMAL PLACES		THIRD ANGLE PROJECTION	
ANGULAR DEGREES		DO NOT SCALE DRAWING	

Amphenol Canada Corp.			
Commercial Products			
STACKABLE MODULAR JACK, 2X1 PORTS, RJE1R SERIES THROUGH HOLE, SHIELDED, WITHOUT LED 8P8C-RoHS COMPLIANT			
DWG. NO.	P-RJE1R-288-XX5X0X	REV	B
CODE ID NO.	03554	DWG SIZE:	C
SCALE:	3:1	SHEET	1 OF 3

REVISIONS			
REV	DESCRIPTION, ECN, EAR NO.	DATE	APP'D
A	PROPOSAL DRAWING	NOV.12,2019	A.G
B	UPDATE NOTES	NOV.22,2019	A.G

**RECOMMENDED PCB WITH 8 CONTACTS
SCALE 4:1**



$\varnothing 0.13$

HOLES POSITION ARE BASIC



RECOMMENDED PCB LAYOUT TOLERANCE:
+/-0.05MM
RECOMMENDED CUSTOMER PCB THICKNESS:
3.30 MM

UNLESS SPECIFIED OTHERWISE	DRAWN	KELVIN T	NOV.12,19
PRIMARY UNITS	MILLIMETERS	CHECKED	
REFERENCE IN PARENTHESES	M.E. APP'D		
GENERAL TOLERANCES	Q.A. APP'D		
1 DECIMAL PLACE	±0.38	DWG. APPR.	A.GREEN NOV.12,19
2 DECIMAL PLACES	±0.25	ENG. REL. NO.	
3 DECIMAL PLACES		REF.	
ANGULAR DEGREES		THIRD ANGLE PROJECTION	

Amphenol Canada Corp.
Commercial Products

STACKABLE MODULAR JACK, 2X1 PORTS,
RJE1R SERIES THROUGH HOLE,
SHIELDED, WITHOUT LED
8P8C-RoHS COMPLIANT

DWG. NO. **P-RJE1R-288-XX5X0X** REV **B**

CODE ID NO. **03554** DWG SIZE: **C** SCALE: **3:1** SHEET **2** OF **3**

RECOMMENDED PCB AND PANEL LAYOUT

SCALE 4:1

REVISIONS			
REV	DESCRIPTION, ECN, EAR NO.	DATE	APP'D
A	PROPOSAL DRAWING	NOV.12.2019	A.G
B	UPDATE NOTES	NOV.22.2019	A.G

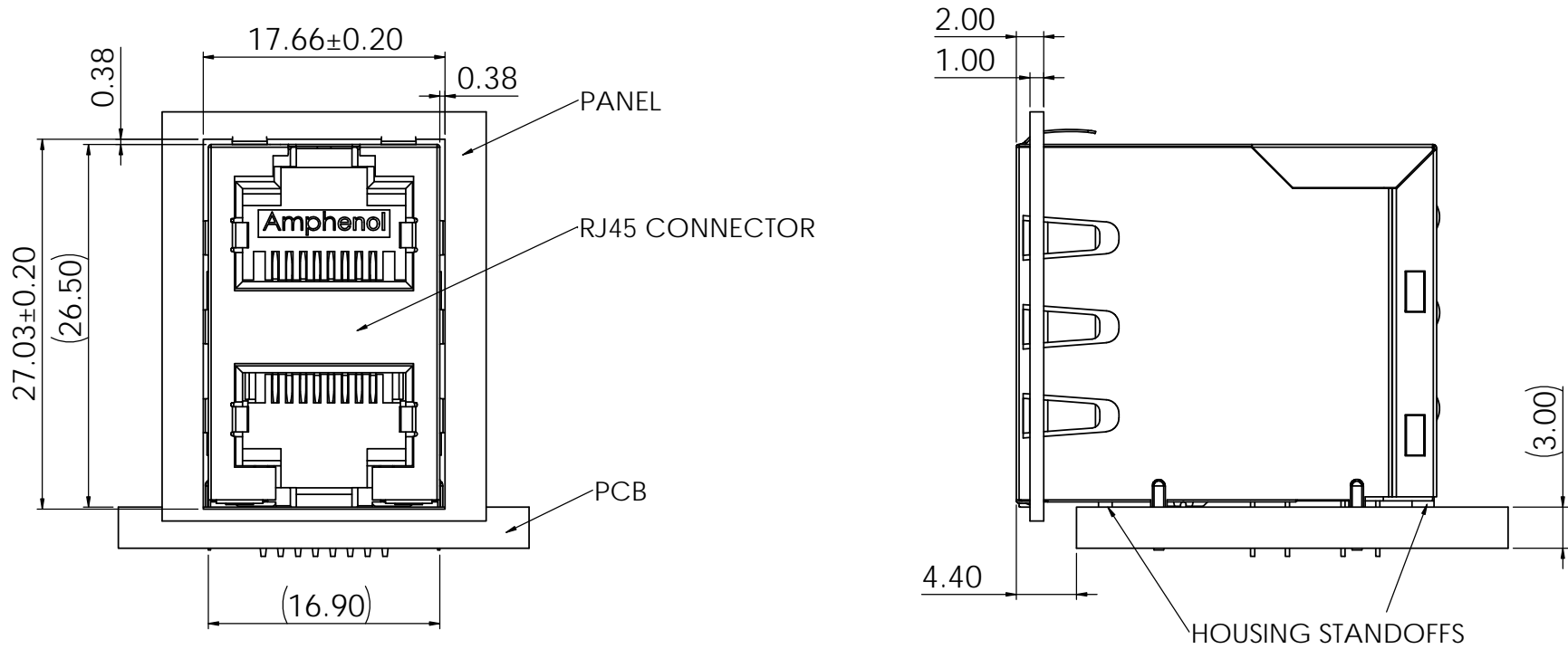


TABLE 1: AMPHENOL PART NUMBER DESCRIPTION:

R J E 1 R 2 8 8 X X 5 X 0 X

TOP PORT CATEGORY OPTION:

- 1 - CAT5 COMPATIBLE
- 2 - CAT5e
- 3 - CAT6

BOTTOM PORT CATEGORY OPTION:

- 1 - CAT5 COMPATIBLE
- 2 - CAT5e
- 3 - CAT6

SHIELDED WITH TOP AND SIDE TABS

CONTACT TAIL LENGTH OPTION:

- 1 : 3.60 MM
- 2 : 3.20 MM
- 3 : 2.80 MM

NO LED

CONTACT GOLD PLATING THICKNESS OPTION:

- 1 - GOLD FLASH;
- 2 - 15u" MIN.;
- 3 - 30u" MIN.;
- 4 - 50u" MIN.;



UNLESS SPECIFIED OTHERWISE	DRAWN	KELVIN T	NOV.12.19
PRIMARY UNITS	MILLIMETERS	CHECKED	
REFERENCE IN PARENTHESES	M.E. APP'D	Q.A. APP'D	
GENERAL TOLERANCES	DWG. APPR.	A.GREEN	NOV.12.19
1 DECIMAL PLACE	ENG. REL. NO.		
2 DECIMAL PLACES	REF.		
3 DECIMAL PLACES	THIRD ANGLE PROJECTION	DO NOT SCALE DRAWING	
ANGULAR DEGREES			

Amphenol Canada Corp.
Commercial Products

STACKABLE MODULAR JACK, 2X1 PORTS,
RJE1R SERIES THROUGH HOLE,
SHIELDED, WITHOUT LED
8P8C-RoHS COMPLIANT

DWG. NO.	P-RJE1R-288-XX5X0X	REV	B
CODE ID. NO.	03554	DWG. SIZE:	C
SCALE:	3:1	SHEET	3 OF 3