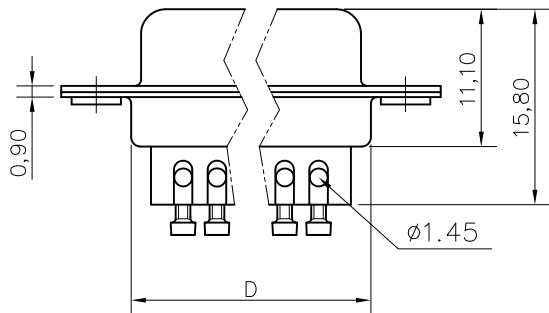
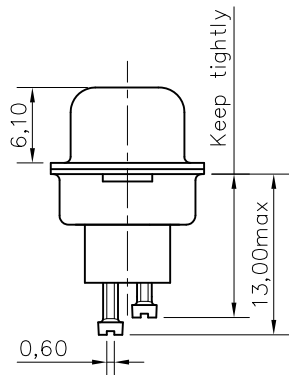
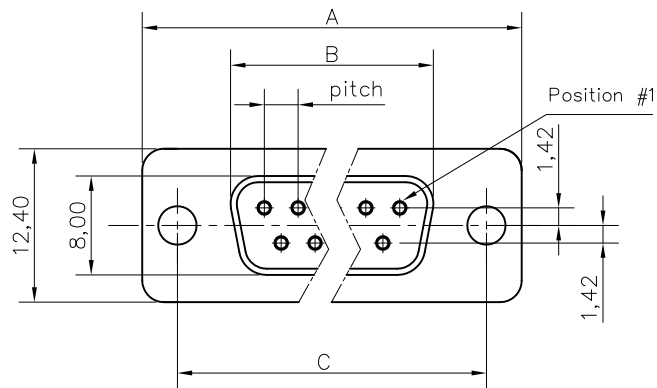


This document is the property of Amphenol Corporation and is delivered on the express condition that it is not to be disclosed, reproduced or used, in whole or in part, for manufacture or sale by anyone other than Amphenol Corporation without its prior consent, & that no right is granted to disclose or to use any information in this document.



Customer Drawing

Nb of contacts	Dimensions				
	A	B	C	D	pitch
09	30.70	16.40	25.00	19.40	2.74
15	39.00	24.80	33.30	27.70	2.74
25	52.90	38.50	47.00	41.40	2.77
37	69.20	54.90	63.50	57.90	2.77



REVISIONS				
SYM	ECN	DESCRIPTION	DATE	APPROVED
1	HK--	First Release drawing	04/14/08	IP

D-SUB TECHNICAL DATA

SHELL : Steel 2.5um(100u") min tin over 1.25um(50u") min nickel
 BODY : Glass filled thermoplastic.
 Flame retardant to UL94 V-0,Color Black
 CONTACTS : Brass
 0.1um(4u") min gold over 1.25um(50u") min nickel
 SCREWLOCK : Copper alloy (no plating)
 ELECTRICAL : Voltage rating : 300 V RMS at 50 Hz
 Current rating 7.5A.
 Insulation resistance >5000 M Ohms
 Withstanding voltage >1000V AC for one minute
 Contact resistance 20 mOhms max.
 CLIMATIC : Temperature range -55°C up to 85°C, peack at 125°C
 Damp heat 21 days(40 °C-95% HR)
 MARKING : Amphenol...(Series No.)
 Commercial reference
 Manufacturing date

PRODUCT CODE

L 77D XXX S ST X

L: RoHS Compliance

77D: tinned shell for receptacle

Size and number of contacts:
E09,A15,B25,C37

Contact type:
S: Female

Hood option:
1=DPPK
2=DSSK
3=DTZK
4=DVZK

Contact termination:
ST=Screw termination

UNLESS OTHERWISE SPECIFIED TOLERANCES	APPROVAL		DATE
	U.S.	METRIC	
.X +/-	0.50	DRAWN	Christina.ou 04/14/08
.XX +/-	0.30	CHECKED	Lik.wang 04/14/08
.XXX +/-	0.20	CHECKED	
FRACTIONS +/-	2'	DRAWING FILE :	
ANGLES +/-		ANGLE OF PROJECTION	
FOR MATERIALS AND FINISHES SEE NOTES			
REMOVE SHARP EDGES			
DIMENSIONS		SCALE	
U.S.	INCHES	NONE	
METRIC	MM	SHEET 1 OF 2	

Amphenol®

TITLE
Machined contacts, D-ST series

SIZE	DRAWING NO.	REV.
A4	C L77DXXXSSTX	1

This document is the property of Amphenol Corporation and is delivered on the express condition that it is not to be disclosed, reproduced or used, in whole or in part, for manufacture or sale by anyone other than Amphenol Corporation without its prior consent, & that no right is granted to disclose or to use any information in this document.

REVISIONS				
SYM	ECN	DESCRIPTION	DATE	APPROVED
		SEE PAGE 1/2		

Plastic hoods



DPPK Straight cable entry



DSSK Angled cable entry

Kit connector+hood option:
(See following description)

X X ST X X

- 1 = DPPK
- 2 = DSSK
- 3 = DTZK
- 4 = DVZK

Metallic hoods



DTZK Straight cable entry



DVZK Angled cable entry

<p>UNLESS OTHERWISE SPECIFIED TOLERANCES</p> <table border="1"> <thead> <tr> <th></th> <th>U.S.</th> <th>METRIC</th> </tr> </thead> <tbody> <tr> <td>.X +/-</td> <td>0.50</td> <td></td> </tr> <tr> <td>.XX +/-</td> <td>0.30</td> <td></td> </tr> <tr> <td>.XXX +/-</td> <td>0.20</td> <td></td> </tr> <tr> <td>FRACTIONS +/-</td> <td></td> <td>2'</td> </tr> <tr> <td>ANGLES +/-</td> <td></td> <td>2'</td> </tr> </tbody> </table> <p>FOR MATERIALS AND FINISHES SEE NOTES</p>		U.S.	METRIC	.X +/-	0.50		.XX +/-	0.30		.XXX +/-	0.20		FRACTIONS +/-		2'	ANGLES +/-		2'	<table border="1"> <thead> <tr> <th>APPROVAL</th> <th>DATE</th> </tr> </thead> <tbody> <tr> <td>DRAWN Christine.out</td> <td>04/14/08</td> </tr> <tr> <td>CHECKED Lik.wang</td> <td>04/14/08</td> </tr> <tr> <td>CHECKED</td> <td></td> </tr> </tbody> </table>	APPROVAL	DATE	DRAWN Christine.out	04/14/08	CHECKED Lik.wang	04/14/08	CHECKED		<p>Amphenol®</p> <p>TITLE Machined contacts, D-ST series</p> <p>SIZE DRAWING NO. A4 C L77DXXXSSTX</p> <p>SCALE NONE SHEET 2 OF 2</p>
		U.S.	METRIC																									
	.X +/-	0.50																										
	.XX +/-	0.30																										
.XXX +/-	0.20																											
FRACTIONS +/-		2'																										
ANGLES +/-		2'																										
APPROVAL	DATE																											
DRAWN Christine.out	04/14/08																											
CHECKED Lik.wang	04/14/08																											
CHECKED																												
<p>REMOVE SHARP EDGES</p> <p>DIMENSIONS</p> <table border="1"> <thead> <tr> <th>U.S.</th> <th>INCHES</th> </tr> </thead> <tbody> <tr> <td>METRIC</td> <td>MM</td> </tr> </tbody> </table>	U.S.	INCHES	METRIC	MM	<p>DRAWING FILE :</p> <p>ANGLE OF PROJECTION</p>																							
U.S.	INCHES																											
METRIC	MM																											
		<p>REV. 1</p>																										