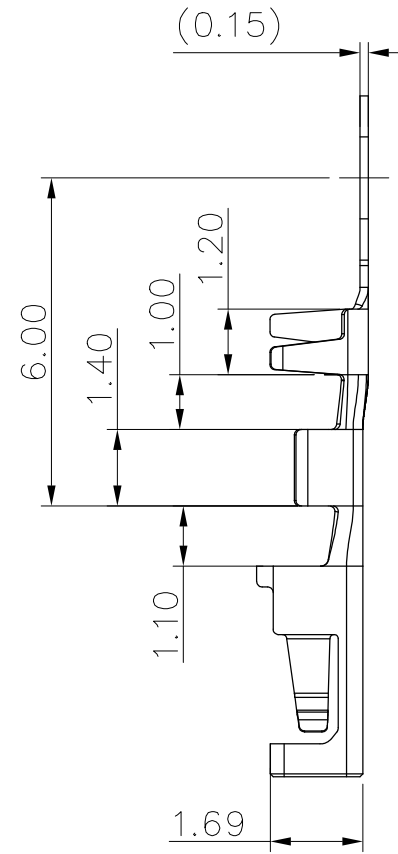
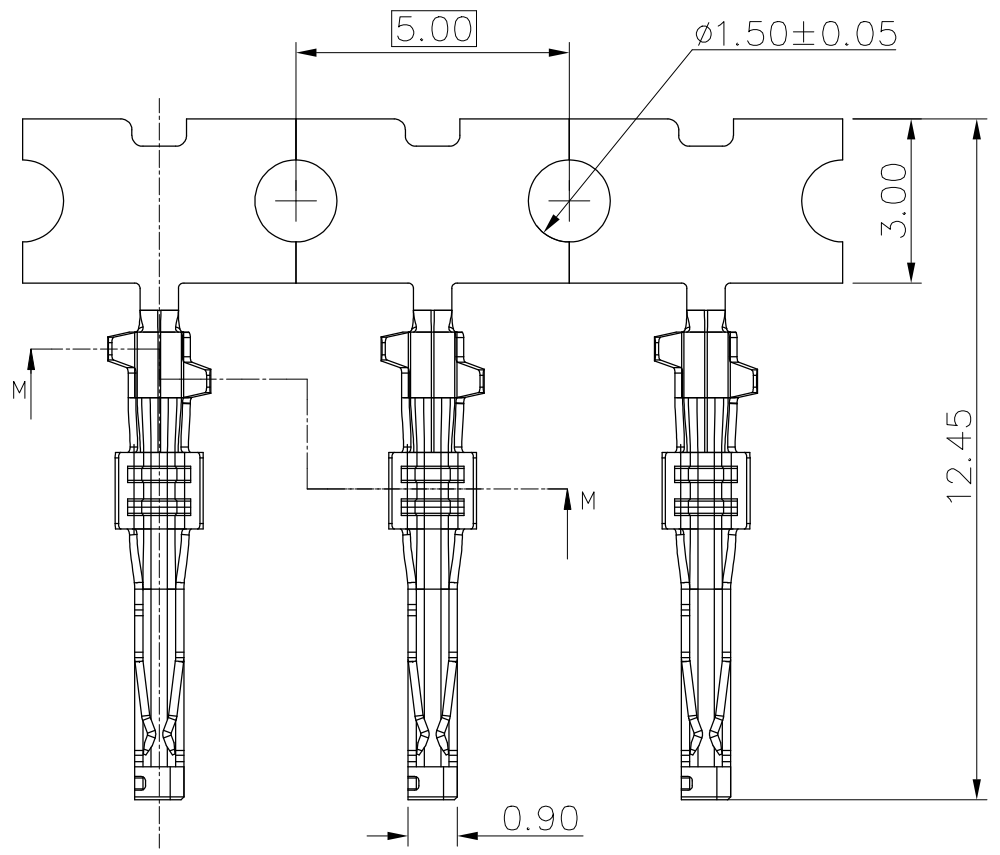


P/N	WIRE SIZE	DIM."A"	DIM."B"	DIM."C"	DIM."D"	DIM."Ø"	DIM."Øw"
10157551-XP10LF	AWG26~28	1.9	1.8	1.6	1.25	0.8	0.3
10157551-XP20LF	AWG 24	1.9	1.9	1.7	1.50	1.1	0.45

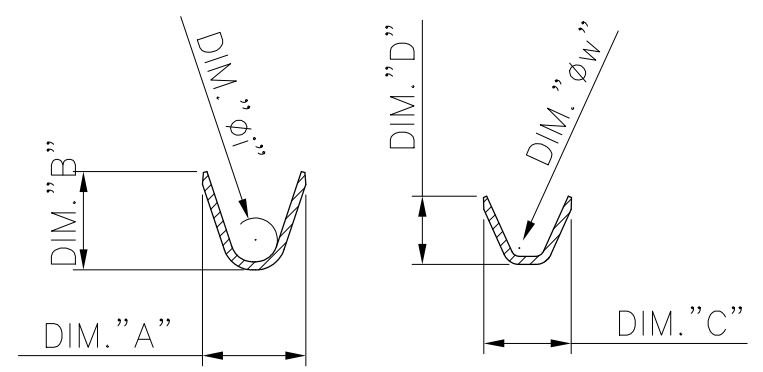
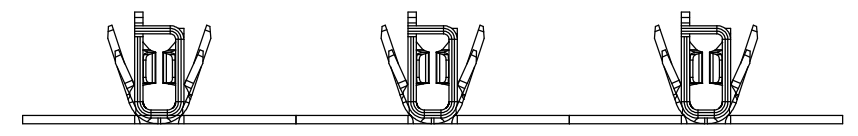


- NOTES:
- MATERIAL: COPPER ALLOY, T=0.15MM;
 - UNLESS OTHERWISE SPECIFIED, ALL INNER RADII ARE R0.10mm.
 - PRODUCT SPEC.: GS-12-1610.
 - PACKING: 20KPC/REEL;
 - DIMENSIONING SHALL BE INTERPRETED PER ASME Y14.5-2009.
 - PART NUMBER:
10157551-X X X X LF

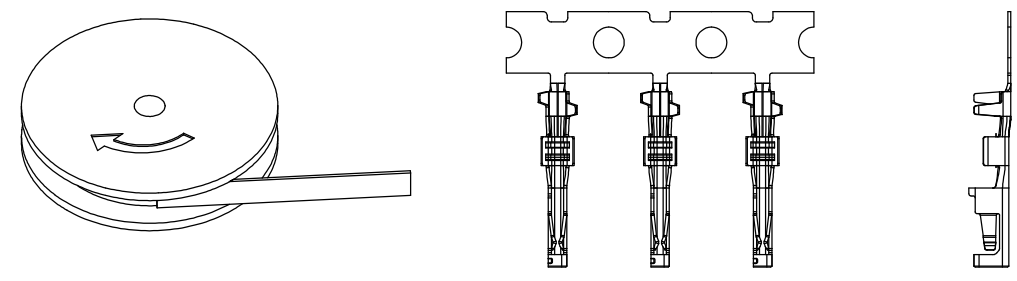
PLATING:
0=100u"MIN. Tin
Plated

MATERIAL:
P=COPPER
ALLOY

0=BLANK
WIRE SIZE RANGE:
1=26 to 28 AWG
2=24AWG



SECTION M-M



Direction After Plating

mat'l. code		surface		tolerance		projection		product family	
		ISO 1302		ISO 406		1101		HPL 542	
ltr		ecn no		dr		date		title	
A		-		A.Z		2020/07/23		Cable Terminal	
B		ELX-N-39040		A.Z		2020/11/20		Multipitch WTB	
								dwg no	
								sheet 1 of 1	
								size	
								A3	
								type	
								Product Customer Drawing	
sheet index		revision sheet		B		1			

