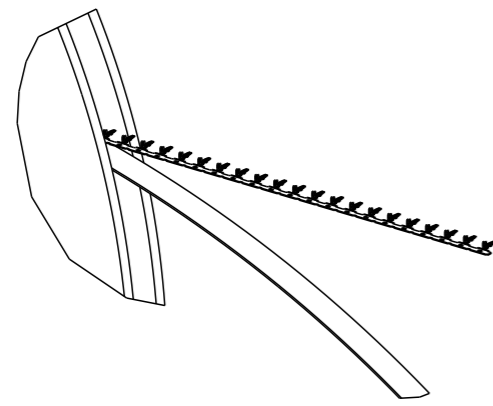
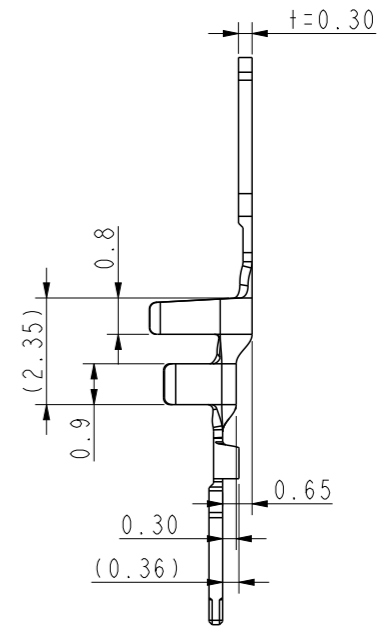
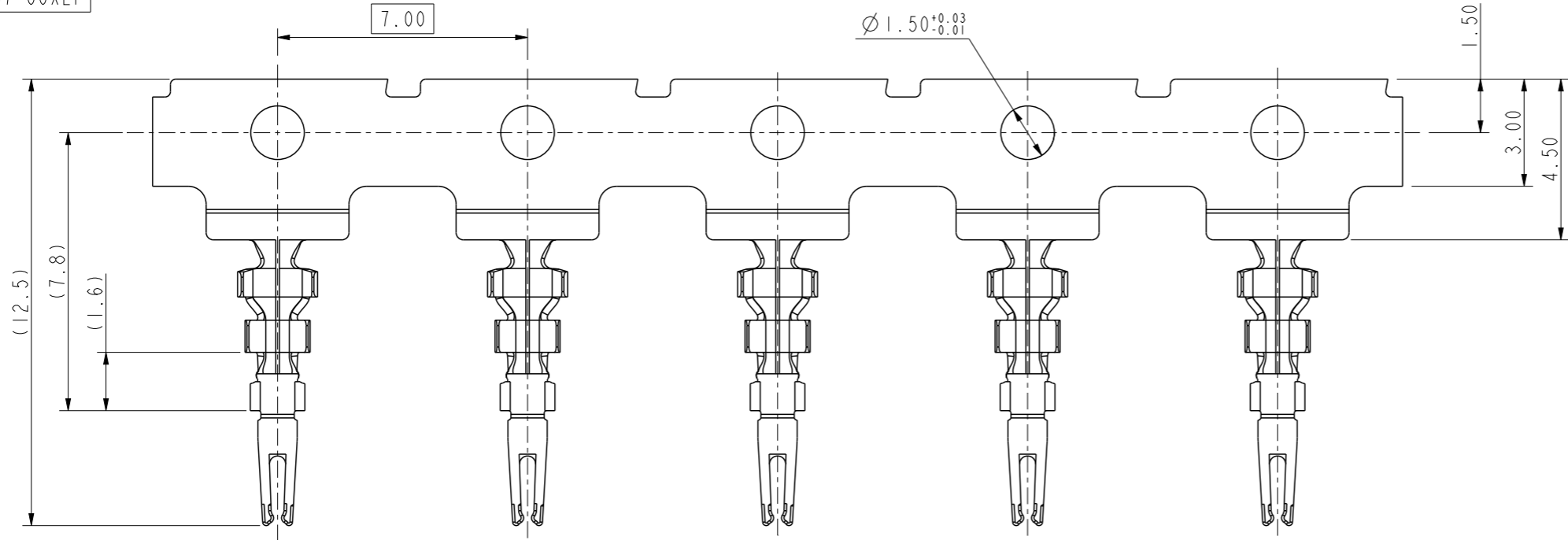
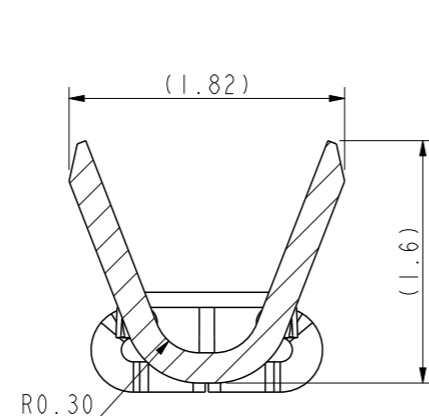


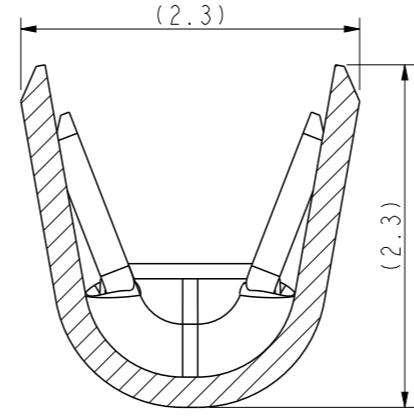
PART NO.
10150537-00XLF



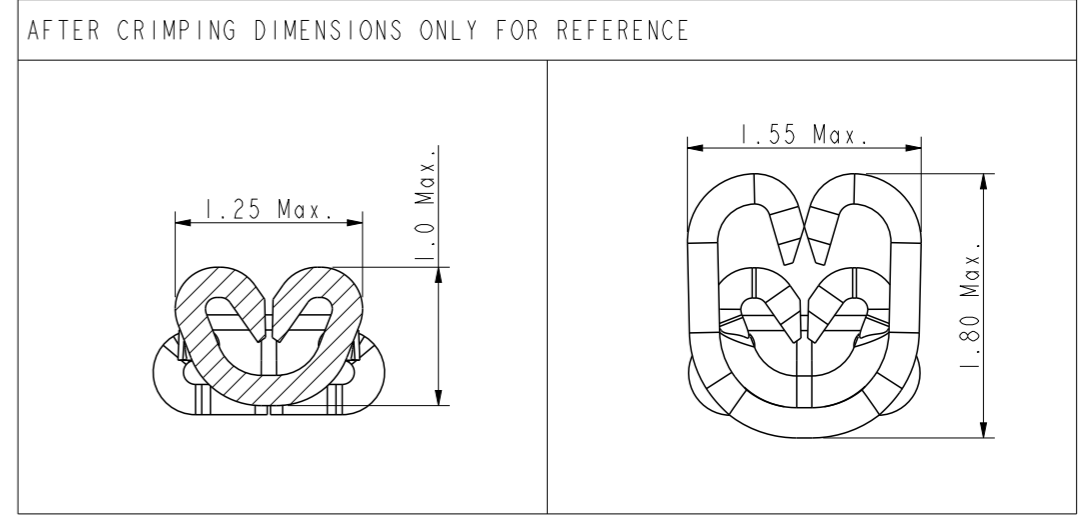
DETAIL C
SCALE 2:5



SECTION B-B
SCALE 20:1

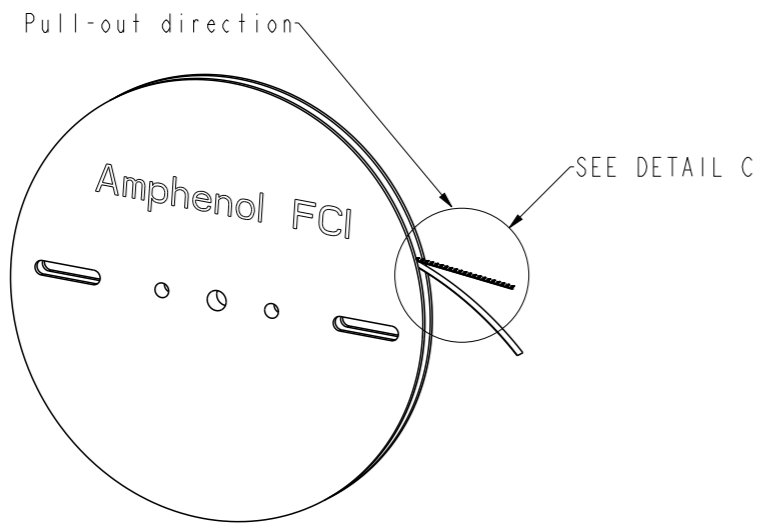


SECTION A-A
SCALE 20:1



- NOTE:
1. MATERIAL: COPPER ALLOY, T=0.3mm.
 2. THE BURR IS 0.05mm MAX.
 3. MAX ALLOWABLE CAMBER OF STRIP IS 4mm/1000mm. AND TWIST OF STRIP IS 90°/4000mm.
 4. PACKAGE SPEC: GS-14-2702
 5. PART NUMBER CODE:
10150537-00XLF

PLATING SPEC:
1: 30u" MIN. Au OR 30GXT.
2: 110U" MIN. MATTE TIN ALL OVER.
0: 24 AWG



SCALE 1:10

spec ref	dr	Nick Zhang	2019/10/22	projection	mm	size	A3	scale	1:1
tolerance std	eng	Nick Zhang	2021/04/02			ecn no	ELX-N-40277-1	Released	
TOLERANCES UNLESS OTHERWISE SPECIFIED						product family	-		
surface	linear	0.X	±0.3	Amphenol FCI Cable Terminal Cross-Mate 2.0PH Series Cable Connector		dwg no 10150537C	rev C		
		0.XX	±0.15						
		0.XXX	±0.05						
	angular	0°	±2°	cat. no.	-	Product - Customer Drw		sheet 1 of 1	