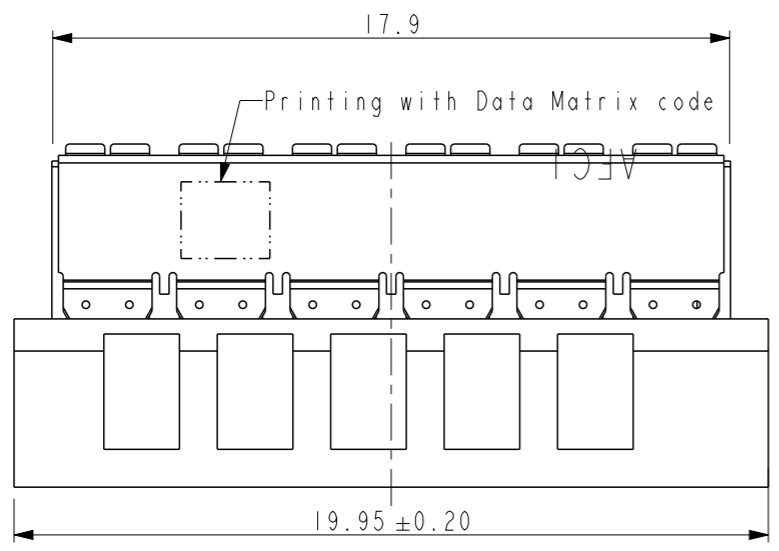


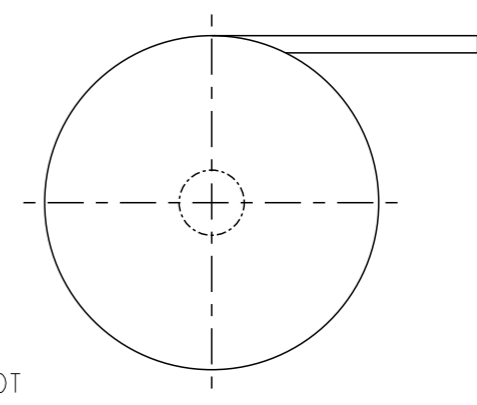
PRODUCT NO.
10150096-3200RLF

A



NOTES:
1. MATERIAL:
1.1 HOUSING: LCP 30%GF, E1301 BLACK, TICONA
2.2 TERMINAL AND SHIELD: CUSN6
2. PLATING: 1-3µM NI UNDER PLATING, 2-4µM SN ON SOLDER AREA,
0.65 µM PDNI, 0.10µM AU ON MATING AREA.
3. COPLANARITY AREA OF TERMINATION 0.10 MAX (/1)

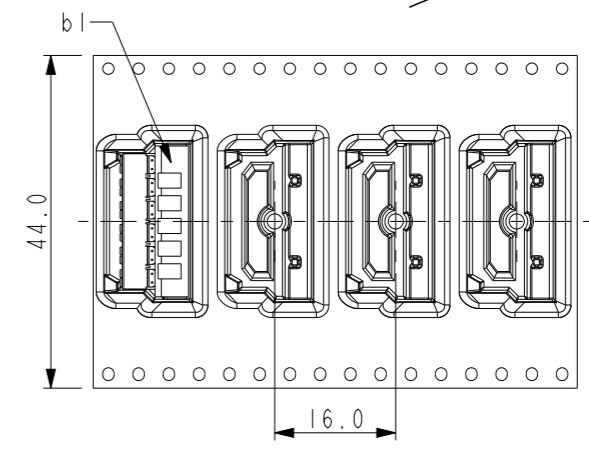
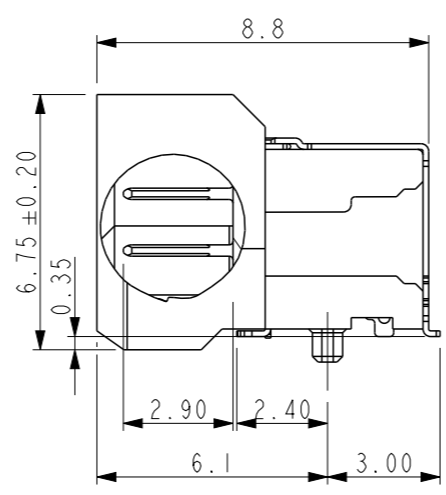
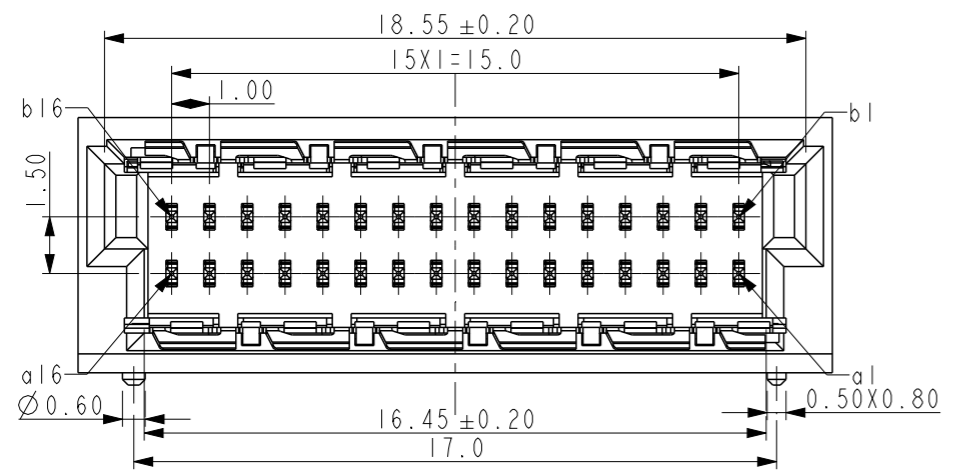
(/1) INSPECTION LEVEL 1: CONTROL CHART REQUIRED
PROOF OF PROCESS CAPABILITY OR 100% TEST IF PROCESS CAPABILITY IS NOT ACHIEVED
(/2) INSPECTION LEVEL 2 AND 3: CONTROL CHART REQUIRED
PROOF OF MEAN VALUE, STANDARD DEVIATION AND MACHINE CAPABILITY
(/3) PROOF OF VALUES OR PROOF OF ATTRIBUTIVE TEST



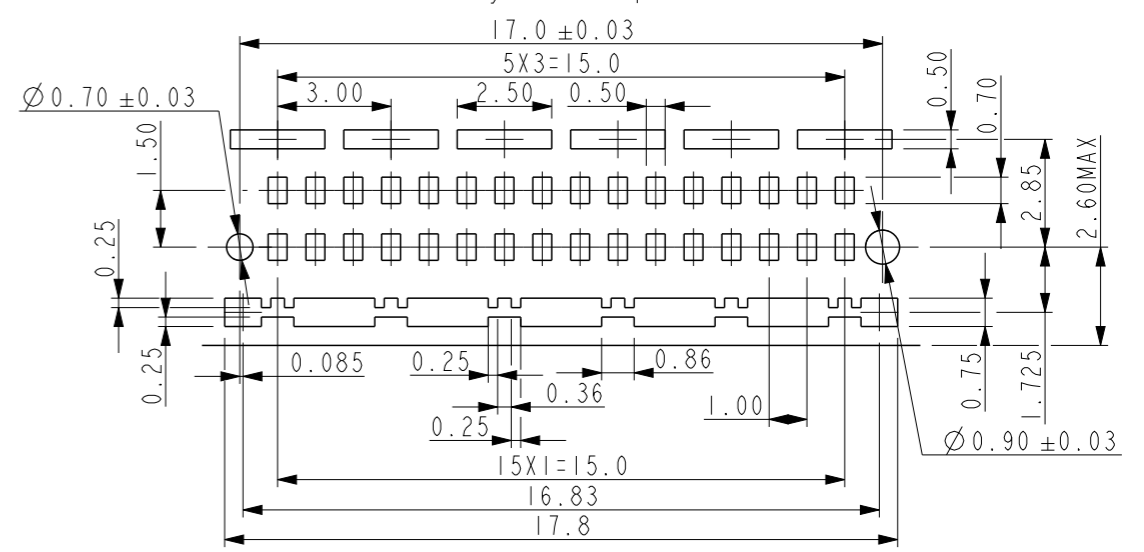
Package Description:
1. External diameter of Reel: Ø330
2. Leader 400mm/ Trailer 160mm
3. Package unit: 400pcs/Reel

Reel off direction
→

B

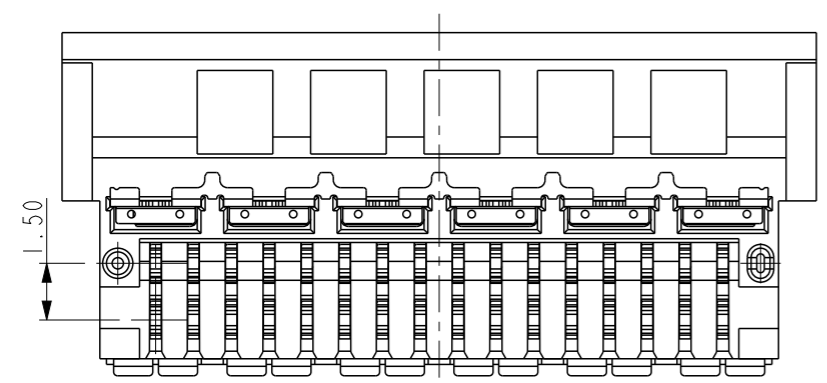


PCB Layout Proposal



C

© 2016 AFCI



D

spec ref	*	dr	Li-Qing Lei	2019/02/12	projection	mm	size	A3	scale	5:1
tolerance std	TOLERANCES UNLESS OTHERWISE SPECIFIED	eng	Li-Qing Lei	2020/06/04		mm	A3	-	-	-
		chr	-	-						
		appr	Tim Yao	2020/06/04	product family		rel level	Released		
surface	linear	0.X	±0.20	Amphenol FCI	Male 90° SMD 32 pos Microspeed Series	dwg no 10150096	rev A			
		0.XX	±0.10							
		0.XXX	±0.05							
ASME Y14.5	angular	0°	±2°	cat. no.	Product - Customer Drw	sheet 1 of 1				