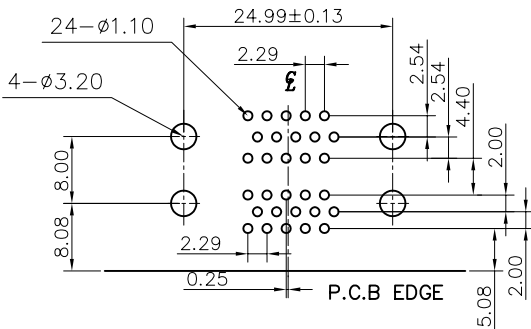
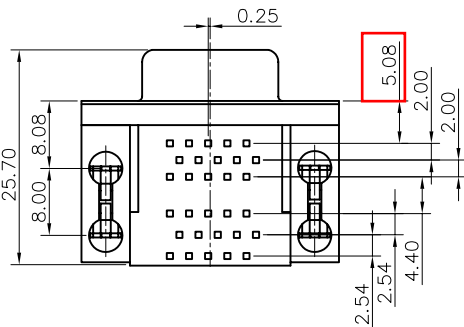
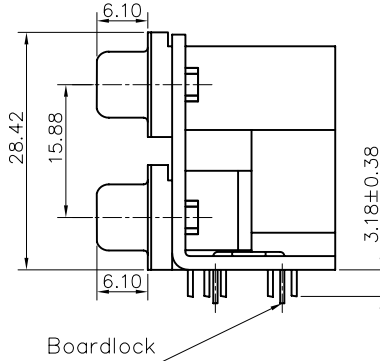
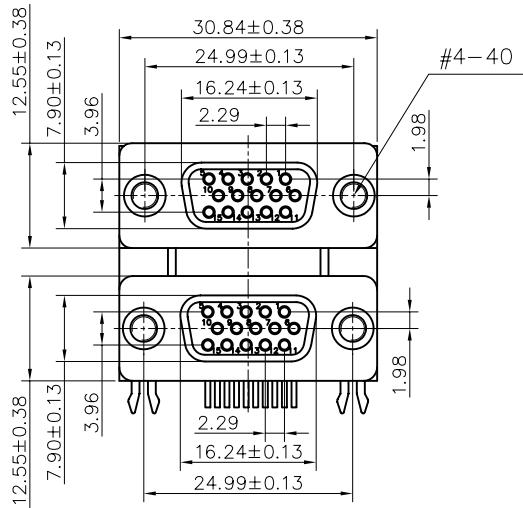


This document is the property of Amphenol Corporation and is delivered on the express condition that it is not to be disclosed, reproduced or used, in whole or in part, for manufacture or sale by anyone other than Amphenol Corporation without its prior consent, & that no right is granted to disclose or to use any information in this document.



RECOMMENDED P.C.B LAYOUT
(Tolerance +/-0.3)

Customer Drawing

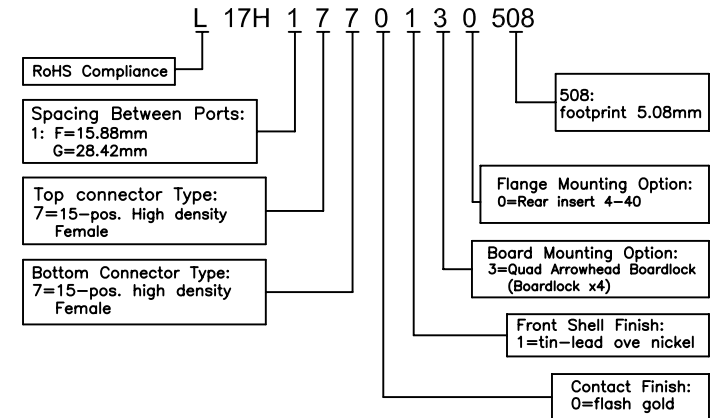


| REVISIONS | | | | |
|-----------|-----|-------------|----------|----------|
| SYM | ECN | DESCRIPTION | DATE | APPROVED |
| 1 | | | 10/05/07 | |

D-SUB TECHNICAL DATA

SHELL : Steel, 100u" tin 50u" min nickel.
 BODY : Glass filled thermoplastic
 Flame retardant to UL94 V-0 Color Black
 CONTACTS : Phosphor bronze
 gold flash over 1.25um (50u") min nickel on mating area.
 100u" min. tin over 50u" min nickel on solder area
 BOARDLOCK : Brass. 100u" min tin over 50u" min nickel
 REAR INSERT : Brass. 50u" min nickel
 BRACKET : Brass. 100u" min. tin over 50u" min nickel
 ELECTRICAL : Voltage rating :250 V Rms to 60 Hz
 Current rating :3A
 Withstanding Voltage >1000 V Rms to 50 Hz for one minute
 Insulation resistance >5000 M Ohms
 Contact resistance 20 mOhms max.
 CLIMATIC : Temperature range -55 °C up to 125°C
 MARKING : Amphenol-...(Series No.)
 Commercial reference
 Manufacturing date

PRODUCT CODE



| UNLESS OTHERWISE SPECIFIED TOLERANCES | | APPROVAL | DATE |
|---------------------------------------|--------|---------------------|---------------|
| U.S. | METRIC | DRAWN | Christina.out |
| .X +/- | 0.50 | CHECKED | Lik.wang |
| .XX +/- | 0.30 | CHECKED | |
| .XXX +/- | 0.20 | | |
| FRACTIONS +/- | 2' | | |
| ANGLES +/- | | | |
| FOR MATERIALS AND FINISHES SEE NOTES | | DRAWING FILE : | |
| REMOVE SHARP EDGES | | ANGLE OF PROJECTION | |
| DIMENSIONS | | | |
| U.S. | INCHES | | |
| METRIC | MM | | |

| | | |
|--|------------------|--------------|
| Amphenol® | | |
| TITLE Dual port connector, 17H series | | |
| SIZE | DRAWING NO. | REV. |
| A4 | C L17H1770130508 | 1 |
| SCALE | NONE | SHEET 1 OF 1 |