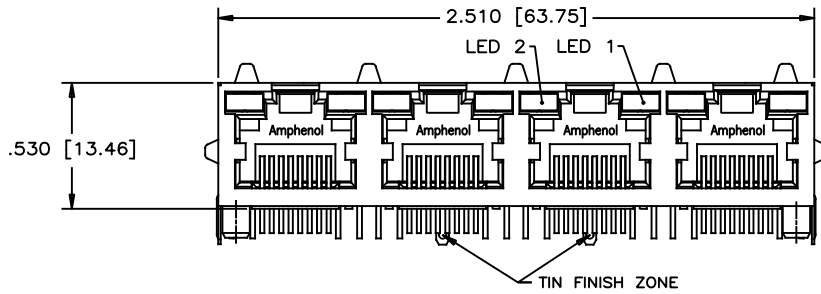
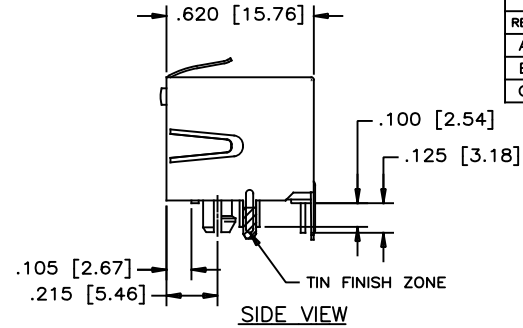


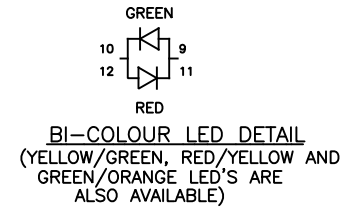
REV	DESCRIPTION, ECN, EAR NO.	DATE	APP'D
A	PROPOSAL DRAWING	NOV18/05	L.CHAN
B	PROPOSAL DRAWING	AUG28/18	L.CHAN
C	PROPOSAL DRAWING	DEC24/18	L.CHAN



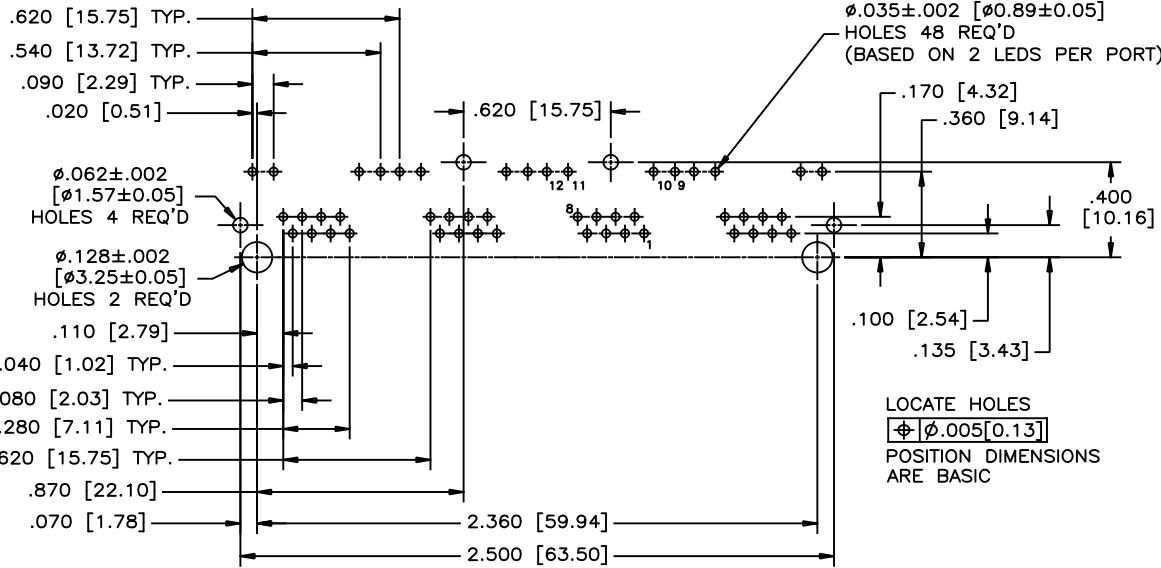
FRONT VIEW



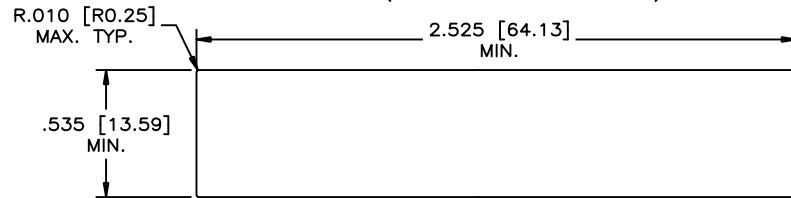
SIDE VIEW



LED SCHEMATIC



RECOMMENDED P.C.B. LAYOUT  
(COMPONENT SIDE OF BOARD)



RECOMMENDED PANEL CUTOUT

LOCATE HOLES  
 $\phi .005 [0.13]$   
 POSITION DIMENSIONS  
 ARE BASIC



- MATERIALS:**  
 PLASTIC HOUSING: HIGH TEMPERATURE ENGINEERING THERMOPLASTIC  
 FLAMMABILITY RATING UL 94V-0, COLOUR: BLACK  
 CONTACTS: PHOSPHOR BRONZE  
 PLATING: GOLD ON MATING SURFACES  
 (SEE PART NO. FOR THICKNESS).  
 50  $\mu$ " [1.27 MICRONS]  
 MIN. NICKEL UNDERPLATE  
 100  $\mu$ " [2.54 MICRONS]  
 MIN. MATTE TIN ON CONTACT TAILS.  
 SHIELD: STAINLESS STEEL WITH TIN FINISH ON PCB TAILS
- MECHANICAL:**  
 MATING FORCE: 5.0 LBS MAX.  
 MATING CYCLES: 200
- ELECTRICAL:**  
 CONTACT RESISTANCE: 20 MILLIOHMS MAXIMUM  
 INSULATION RESISTANCE: 500 MEGOHMS MINIMUM  
 CURRENT RATING: 1.5 AMPS  
 VOLTAGE RATING: 125 VOLTS AC
- ENVIRONMENTAL:**  
 STORAGE TEMPERATURE: -40°C to 85°C  
 STORAGE LIFE: 1 YEAR  
 PACKAGING METHOD: TRAY PACKAGING
- UL FILE NUMBER:** E135615

PART NUMBER: RJHSE-X38X-04

GOLD PLATING  
 E=RJ45 FLAT CONTACT 6u"  
 G=RJ45 FLAT CONTACT 15u"  
 J=RJ45 FLAT CONTACT 30u"  
 5=RJ45 FLAT CONTACT 50u"

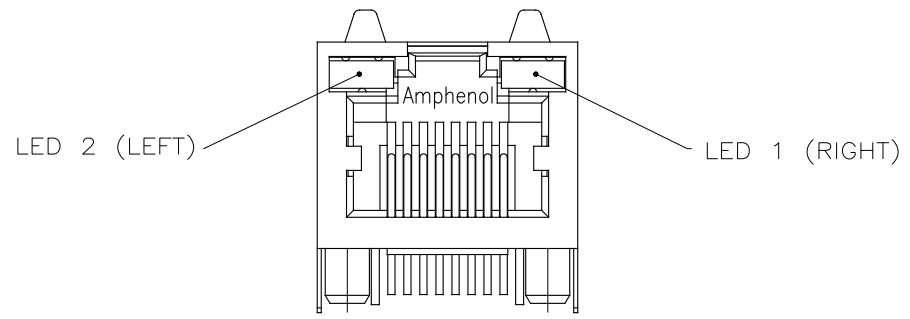
REFER TO LED OPTIONS DRAWING  
 FOR ORDERING CODES

THIS DOCUMENT CONTAINS PROPRIETARY INFORMATION AND SUCH INFORMATION MAY NOT BE DISCLOSED TO OTHERS FOR ANY PURPOSE OR USED FOR MANUFACTURING PURPOSES WITHOUT WRITTEN PERMISSION FROM AMPHENOL CANADA CORP.

UNLESS SPECIFIED OTHERWISE	DRAWN PAUL	NOV18/05
PRIMARY UNITS INCHES	CHECKED L.CHAN	NOV18/05
SECONDARY MILLIMETERS	M.E. APP'D	
REFERENCE IN PARENTHESES	Q.A. APP'D	
GENERAL TOLERANCES	DWG APP'D	
1 DECIMAL PLACE $\pm 0.025$	ENG. REL. NO.	
2 DECIMAL PLACES $\pm 0.02$	REF.	
3 DECIMAL PLACES $\pm 0.015$	THIRD ANGLE PROJECTION	DO NOT SCALE DRAWING
ANGULAR DEGREES $\pm 1^\circ$		

Amphenol Canada Corp. Commercial Products	
4 PORT, HIGH SPEED, MODULAR JACK, 8 POSITION, 8 CONTACTS, SHIELDED WITH LED'S - RoHS COMPLIANT	
DWG NO.	P-RJHSE-X38X-04
CODE ID NO. 03554	DWG SIZE C SCALE NA SHEET 1 OF 1

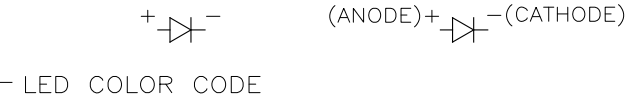
REV	DESCRIPTION, ECN, EAR NO.	DATE	APP'D
E	UPDATE SPEC	APR19/17	L.CHAN
F	UPDATE SPEC	JUL06/18	L.CHAN
G	UPDATE SPEC	NOV19/18	L.CHAN



TYPICAL FOR SINGLE & MULTI-PORT

EXAMPLE:

PART NUMBER RJHSE-538X



LED COLOR CODE

CODE	LED 2 (LEFT)	LED 1 (RIGHT)	CODE	LED 2 (LEFT)	LED 1 (RIGHT)	CODE	LED 2 (LEFT)	LED 1 (RIGHT)
0	BLOCKED	BLOCKED	9	GREEN	BLOCKED	J	BiC RD/GR	YELLOW
1	YELLOW	GREEN	A	BiC GR/YE	BiC GR/YE	K	YELLOW	BiC GR/OR
2	BLOCKED	GREEN	B	BiC RD/GR	BiC RD/GR	L	BiC GR/YE	RED
3	YELLOW	BLOCKED	C	BiC RD/GR	BiC GR/YE	M	RED	YELLOW
4	GREEN	YELLOW	D	GREEN	BiC GR/YE	N	BiC GR/RD	BiC GR/YE
5	GREEN	GREEN	E	YELLOW	BiC GR/YE	P	GREEN	BiC RD/GR
6	YELLOW	YELLOW	F	BiC GR/YE	YELLOW	R	BiC GR/OR	GREEN
7	RED	GREEN	G	BiC GR/OR	BiC GR/OR	T	RED	RED
8	GREEN	RED	H	BiC GR/YE	GREEN	V	BiC RD/GR	GREEN
						W	ADDITIONAL	OPTIONS

EXAMPLE OF ADDITIONAL LED OPTIONS:

PART NUMBER RJHSE-538W-01Y



CODE	LED 2 (LEFT)	LED 1 (RIGHT)	CODE	LED 2 (LEFT)	LED 1 (RIGHT)	CODE	LED 2 (LEFT)	LED 1 (RIGHT)
0	DO NOT USE		5	BLOCKED	YELLOW	E	BiC GR/YE	BiC GR/RD
1	RED	BLOCKED	6	RED	BiC RD/GR	A	LOWC YE	LOWC YE
2	BiC GR/OR	YELLOW	7	BLOCKED	BiC RD/GR	B	LOWC YE	LOWC GR
3	YELLOW	RED	8	BiC RD/GR	BLOCKED	C	LOWC GR	LOWC YE
4	BLOCKED	RED	9	BiC GR/YE	BLOCKED	D	LOWC GR	LOWC GR
K	BLOCKED	WHITE	N	BLUE	RED	M	LOWC RD	LOWC YE

LED SPECIFICATIONS:  
 FORWARD VOLTAGE: 2.1 VOLTS TYP.  
 FORWARD VOLTAGE: 2.9 VOLTS FOR WHITE  
 FORWARD VOLTAGE: 3.1 VOLTS FOR BLUE  
 REVERSE VOLTAGE: 5.0 VOLTS MIN.  
 LUMINOUS INTENSITY:  
 18.6 mcd MIN. (AT If=20mA) TYP.  
 480 mcd MIN. (AT If=5mA) FOR WHITE  
 110 mcd MIN. (AT If=20mA) FOR BLUE  
 OPERATING TEMPERATURE: -55° TO 85° C  
 LEAD SOLDERING TEMPERATURE: 260° C  
 (5 SEC, 1/16" FROM CASE)  
 PLATING ON TAILS: TIN OR TIN/COPPER  
 ALLOY OVER SILVER

PRIMARY COLOR FOR BI-COLOR  
 LEDs IN STANDARD ANODE/  
 CATHODE CONFIGURATION IS:  
 RED-GREEN= RED  
 RED-YELLOW= RED  
 GREEN-YELLOW= GREEN  
 GREEN-ORANGE= GREEN

LEGEND  
 BiC=BI-COLOR LED  
 LOWC=LOW CURRENT LED  
 YE=YELLOW  
 GR=GREEN  
 RD=RED  
 OR=ORANGE

NOTE:  
 THE TWO DIGITS PRECEDING THE  
 ADDITIONAL LED CODE MUST BE  
 USED IN THE PART NUMBER, WHEN  
 ORDERING ANY OF THE ADDITIONAL  
 LED OPTIONS.

UNLESS SPECIFIED OTHERWISE		DRAWN K. LAMBIE	SEP21/04	Amphenol Canada Corp.	
PRIMARY UNITS INCHES	CHECKED			Commercial Products	
SECONDARY MILLIMETERS	M.E. APP'D			LED OPTIONS FOR RJHSE, SINGLE OR MULTI-PORT CONNECTORS - RoHS COMPLIANT	
REFERENCE IN PARENTHESES	Q.A. APP'D			DWG NO. P-RJHSE-LEDS	
GENERAL TOLERANCES	DWG APP'D			REF.	REV G
1 DECIMAL PLACE ±0.025	ENG. REL. NO.			THIRD ANGLE PROJECTION	DO NOT SCALE DRAWING
2 DECIMAL PLACES ±0.02				CODE ID NO. 03554	DWG SIZE C
3 DECIMAL PLACES ±0.015				SCALE NA	SHEET 1 OF 1
ANGULAR DEGREES ±1°					