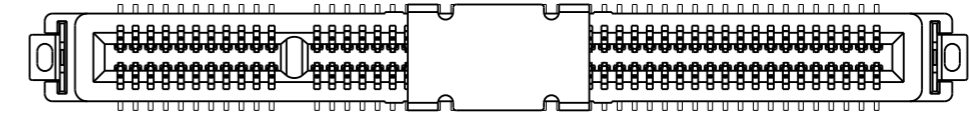


revision history				
rev	ecn no	description	dr	date
4	CD2021	UPDATE PLATING SPEC	JF	2020/05/30
5	CD2387	DETAILED THE PN SYSTEM	JF	2020/12/22
6	CD2675	UPDATE GOLD FINGER	JQ	2021/06/05

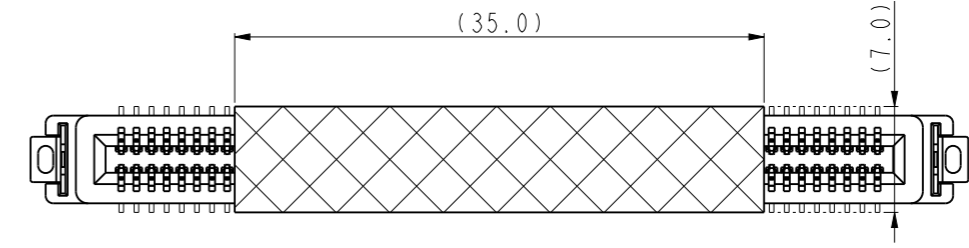
NOTE:
 1. MATERIAL:
 HOUSING: HIGH TEMPERATURE THERMOPLASTIC; BLACK UL94V-0; HALOGEN FREE
 CONTACT: COPPER ALLOY
 BOARD LOCK: SPCC
 2. PLATING:
 CONTACT: MATING AREA: SEE PN SYSTEM OVER 1.27-2.54UM NICKEL UNDERPLATED
 SOLDER AREA: 2.54UM MIN TIN OVER 1.27-2.54UM NICKEL UNDERPLATED
 BOARD LOCK: 2.54UM MIN TIN OVER 1.27-2.54UM NICKEL UNDERPLATED
 3. ELECTRICAL PERFORMANCE:
 RATED CURRENT FOR SIGNAL PIN: 0.7A/PIN
 RATED CURRENT FOR POWER PIN: 1.1A/PIN(A2/A3/A9/A10/B1/B2/B3/B8/, TOTAL 8PIN)
 4. MATERIAL IS COMPLIANT TO RoHS
 5. TRANSMISSION SPEED:
 PCIe Gen4/16Gbps: OPEN PIN FIELD DESIGN
 PCIe Gen5/32Gbps: CONFORM TO PCIe CEM SPECIFICATION
 6. ORDERING PART NUMBER: REFER TO THE PART NUMBER SYSTEM



TOP VIEW WITH PICK CAP
(T=0.25mm)

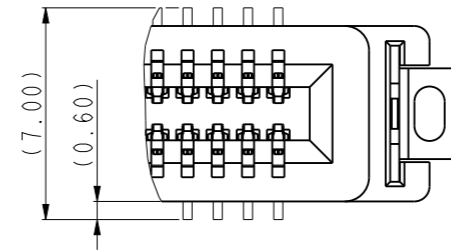
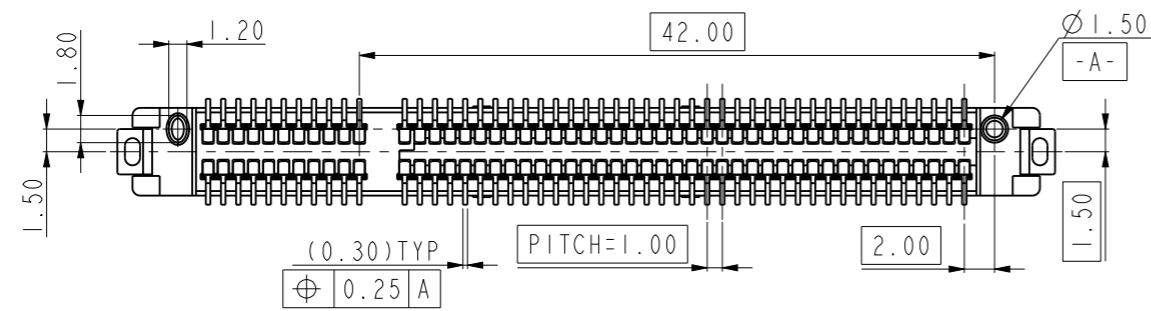
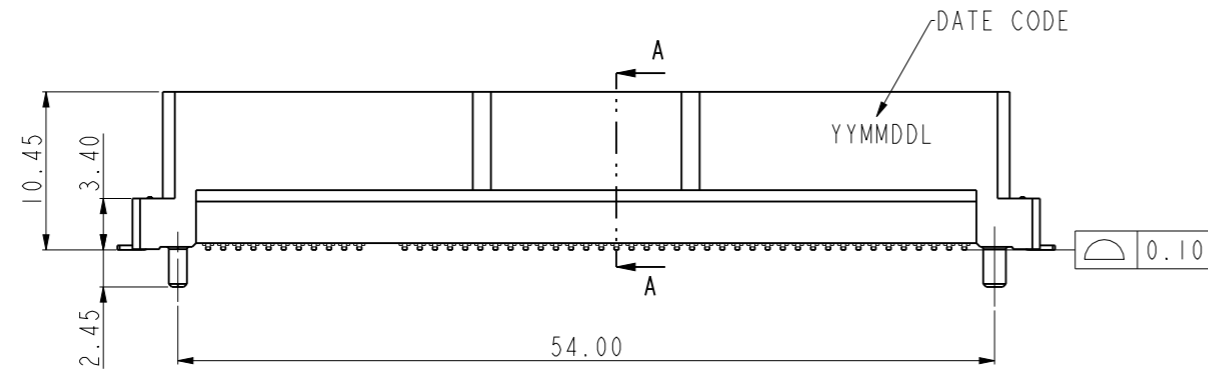
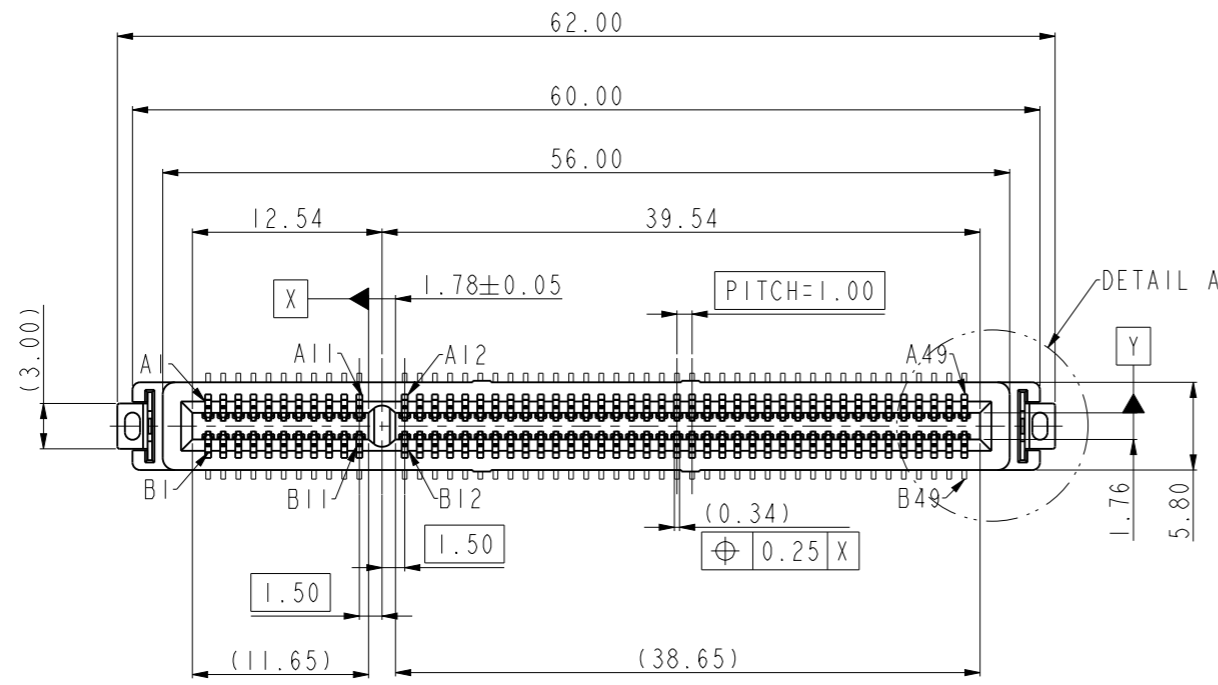
PART NUMBER SYSTEM
CEE0098X014XXXX

PIN COUNT 098: 98PIN	PLATING SPEC 1: Au 0.76UM(30u") 2: Au 0.38UM(15u") 3: Gold Flash 4: GXT
PICK CAP & MYLAR 0: WITH CAP 1: WITH MYLAR	TRANSMISSION SPEED 0: PCIe Gen5/32Gbps 1: PCIe Gen4/16Gbps
PACKING TRAY 0: BLISTER TRAY (320x220mm T=2mm) 1: BLISTER TRAY (330x120mm T=2mm)	SOLDER TAIL OPTION 2: STANDARD TAIL 3: SHORTER TAIL



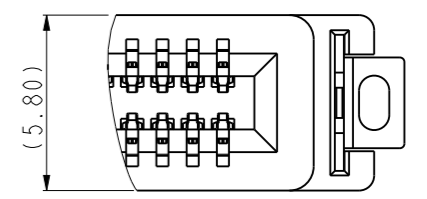
TOP VIEW WITH MYLAR
(T=0.15mm)

spec ref		dr	JERRY.OU	Jun.05,2021	Amphenol	mm	scale	1:1	size	A3	
tolerance std		eng	JERRY.OU	Jun.05,2021		ecn no	CD2675				
TOLERANCES UNLESS OTHERWISE SPECIFIED		r vwr				rel level	RELEASED				
surface	linear	0.X	±0.25	projection	PCIe COOL EDGE CONNECTOR	cat. no.	C CEE0098X014XXXX				
		0.XX	±0.20				rev	6			
		0.XXX	±0.15					product family		PCIe COOL EDGE	
angular	0°	±5°									



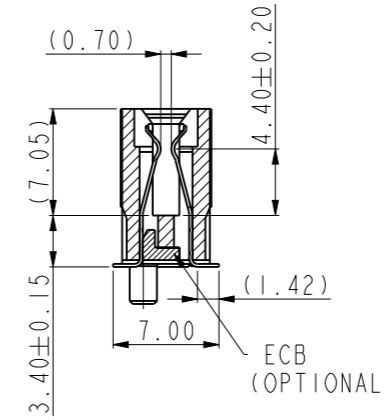
STANDARD TAIL

DETAIL A
SCALE 2:1

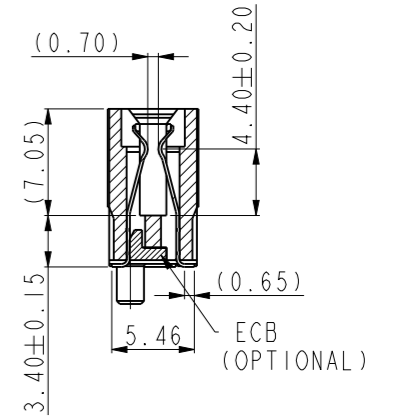


SHORTER TAIL

DETAIL A
SCALE 2:1



STANDARD TAIL
SECTION A-A

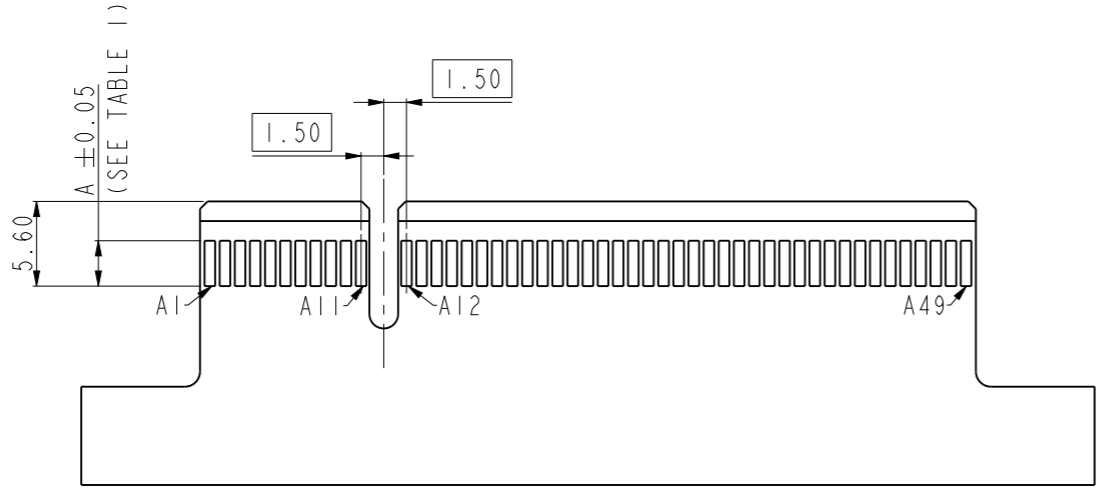
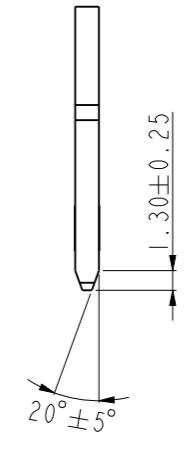
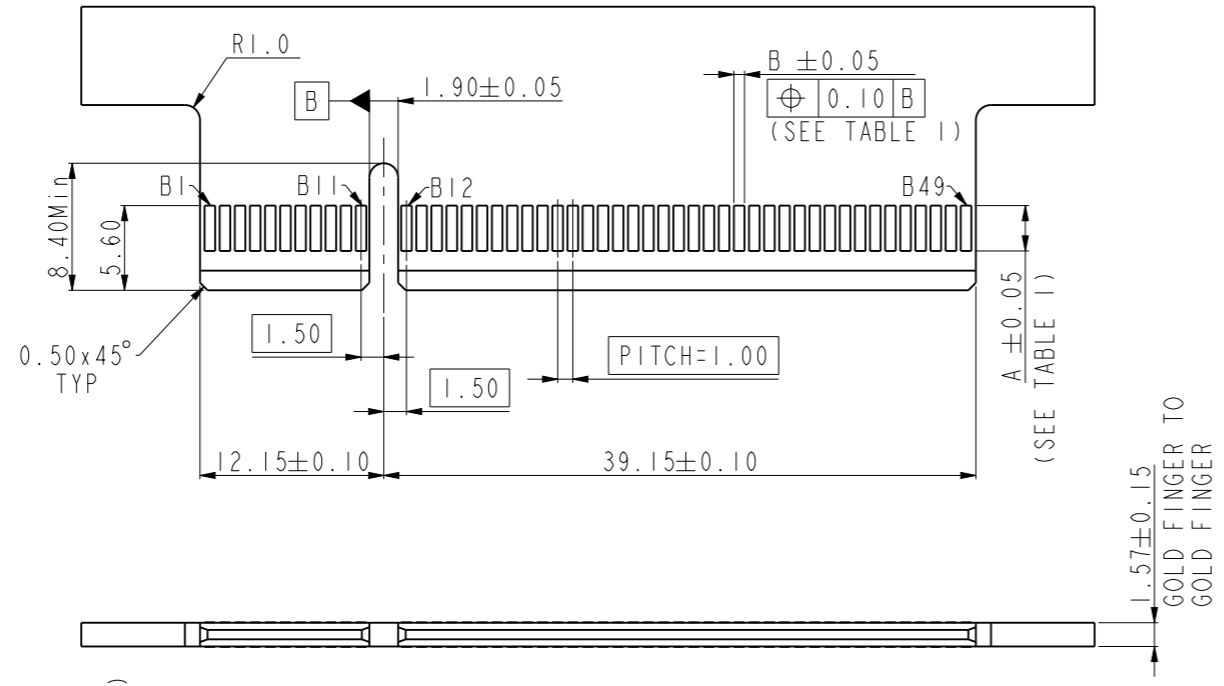


SHORTER TAIL
SECTION A-A

GND PIN DEFINITION

SIDE A GND PIN	A12, A15, A18, A20, A23, A24, A27, A28, A31, A34, A37, A38, A41, A42, A45, A46, A49
SIDE B GND PIN	B13, B16, B18, B21, B22, B25, B26, B29, B32, B35, B36, B39, B40, B43, B44, B47, B49

spec ref	dr	JERRY.OU	Jun. 05, 2021	Amphenol	mm	scale	1:1	size	A3		
tolerance std	eng	JERRY.OU	Jun. 05, 2021		ecn no	CD2675					
TOLERANCES UNLESS OTHERWISE SPECIFIED					amphenol-icc.com	rel level	RELEASED				
surface	linear	0.X	±0.25	projection	TITLE	PCIe COOL EDGE CONNECTOR		cat. no.	C CEE0098X014XXXX	rev	6
	angular	0°	±5°			1.0mm PITCH, X8, Gen4 & Gen5		product family	PCIe COOL EDGE	sheet 2 of 5	

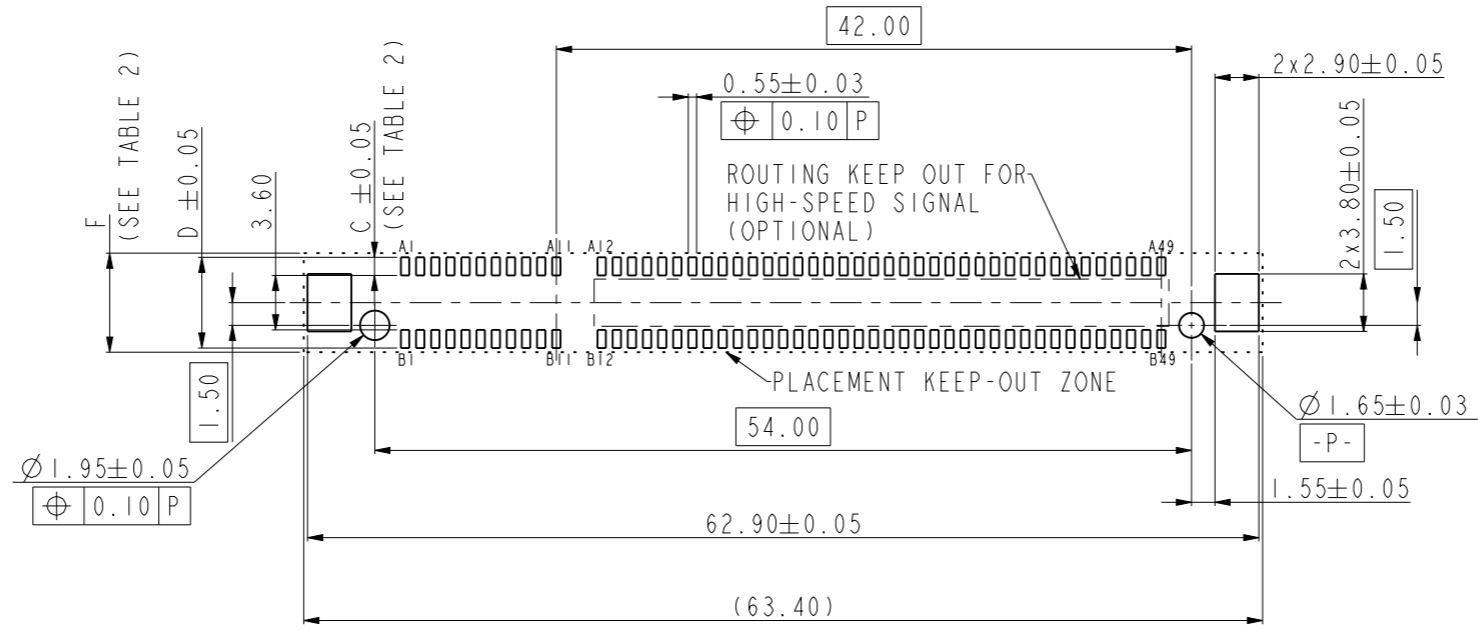


RECOMMENDED LAY OUT FOR MATING CARD, THICKNESS=1.57±0.15mm
GENERAL TOLERANCE ±0.05

TABLE 1

ITEM/DIM	A (Gold Finger Length)	B (Gold Finger Width)
PCIe Gen4	3.91±0.05 3.20±0.05 (A1 and B48)	0.70±0.05
PCIe Gen5	3.00±0.05	0.60±0.05

spec ref	dr	JERRY.OU	Jun. 05, 2021	Amphenol	mm	scale	1:1	size	A3		
tolerance std	eng	JERRY.OU	Jun. 05, 2021		ecn no	CD2675					
surface	rivr				amphenol-icc.com	rel level	RELEASED				
	appr				projection	PCIe COOL EDGE CONNECTOR		cat. no.	C CEE0098X014XXXX	rev	6
	linear	0.X	±0.10	0.XX	±0.05	0.XXX	±0.03	product family		PCIe COOL EDGE	sheet 3 of 5
	angular	0°	±5°	1.0mm PITCH, X8, Gen4 & Gen5							

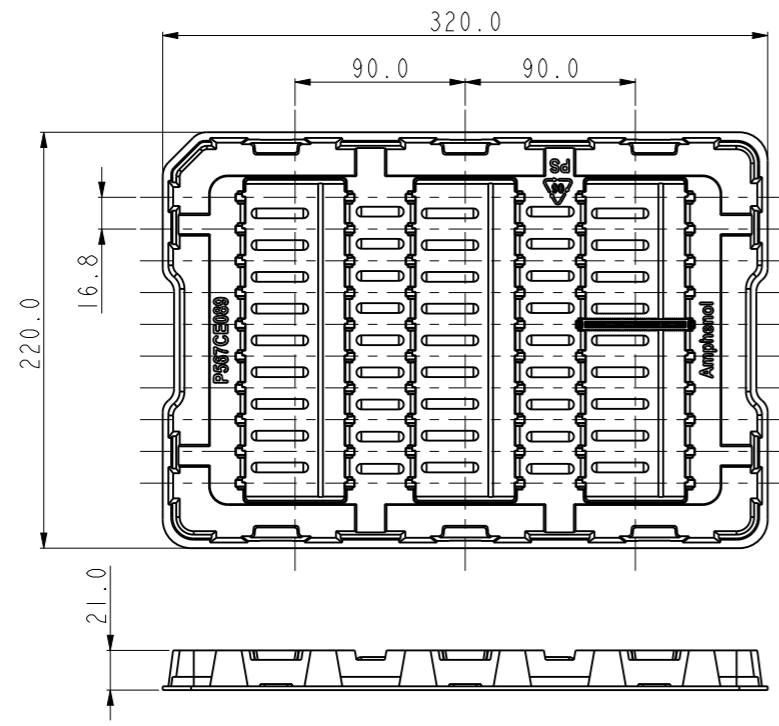


RECOMMENDED SOLDER PCB LAYOUT

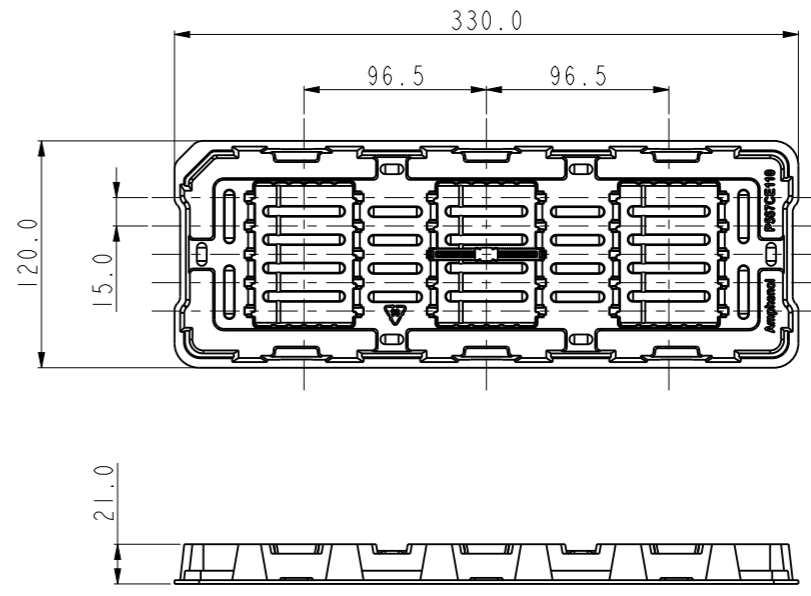
TABLE 2

ITEM/DIM	C (Pad Length)	D	E	F
SHORTER TAIL	1.20	6.00	3.00	6.55
STANDARD TAIL	1.90	7.40	3.70	7.95

spec ref		dr	JERRY.OU	Jun. 05, 2021	Amphenol	mm	scale	1:1	size	A3	
tolerance std		eng	JERRY.OU	Jun. 05, 2021		ecn no	CD2675				
TOLERANCES UNLESS OTHERWISE SPECIFIED		rvwr				amphenol-icc.com		rel level	RELEASED		
		appr									
surface	linear	0.X	±0.10	projection	PCIE COOL EDGE CONNECTOR	1.0mm PITCH, X8, Gen4 & Gen5	cat. no.	C CEE0098X014XXXX		rev	6
		0.XX	±0.05								
		0.XXX	±0.03								
	angular	0°	±5°		product family	PCIE COOL EDGE	sheet 4 of 5				



PART NUMBER SYSTEM
PACKING TRAY CODE: 0



PART NUMBER SYSTEM
PACKING TRAY CODE: 1

PART NUMBER SYSTEM PACKING CODE	TRAY SIZE (LxWxH)	QTY (PCS/TRAY)	QTY (PCS/CARTON)	NOTE
0	320x220x21	30	300	ANTI-STATIC PS,BLACK,T=2.00;BLISTER TRAY
1	330x120x21	15	240	ANTI-STATIC PS,BLACK,T=2.00;BLISTER TRAY

spec ref		dr	JERRY.OU	Jun. 05, 2021	<h2 style="margin: 0;">Amphenol</h2>	mm	scale	1:1	size	A3
tolerance std		eng	JERRY.OU	Jun. 05, 2021		ecn no	CD2675			
TOLERANCES UNLESS OTHERWISE SPECIFIED		r vwr				rel level	RELEASED			
		appr			amphenol-icc.com					
surface	✓ linear	0.X	±3.0	projection 	title PCIe COOL EDGE CONNECTOR 1.0mm PITCH, X8, Gen4 & Gen5	dng no C CEE0098X014XXXX	cat. no.	rev 6		
		0.XX	±2.0						product family	
	0.XXX	±								
	angular	0°	±5°							