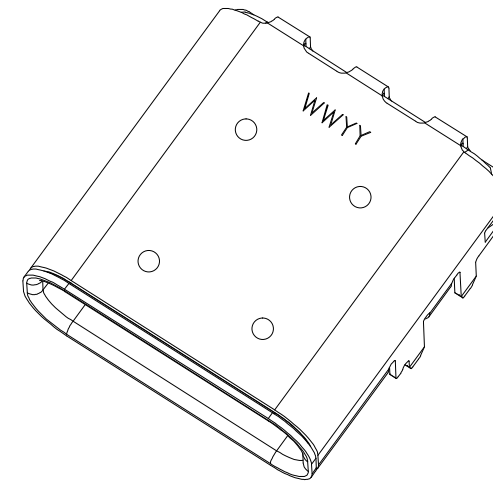
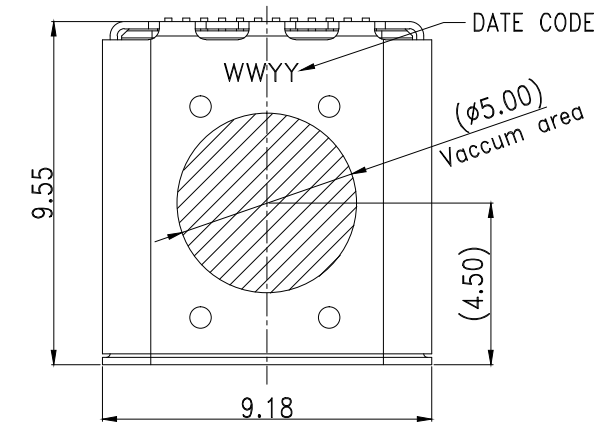


This document is the property of Amphenol Corporation and is delivered on the express condition that it is not to be disclosed, reproduced or used, in whole or in part, for manufacture or sale by anyone other than Amphenol Corporation without its prior consent, & that no right is granted to disclose or to use any information in this document.

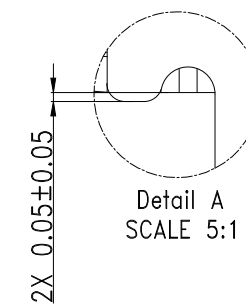
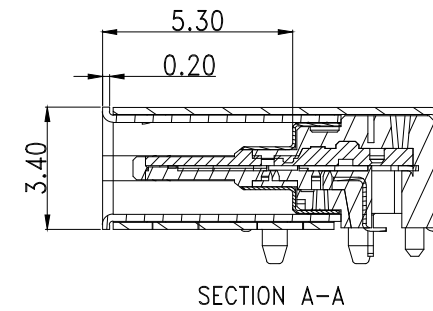
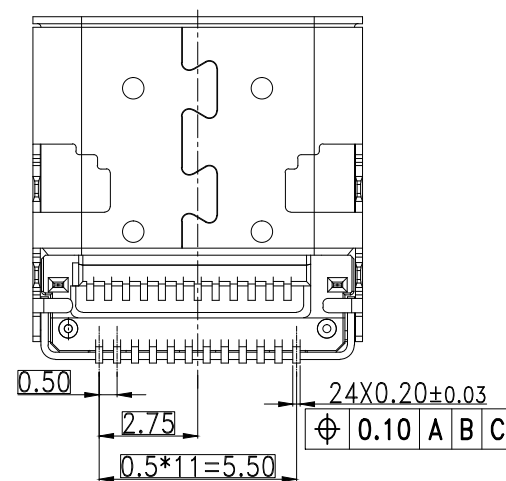
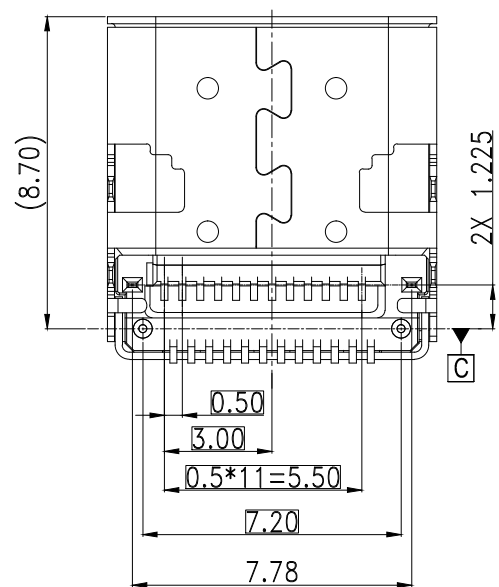
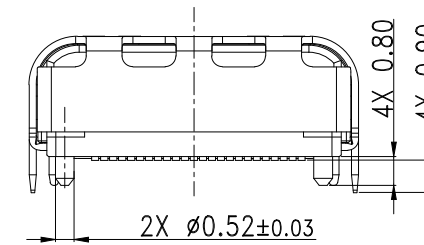
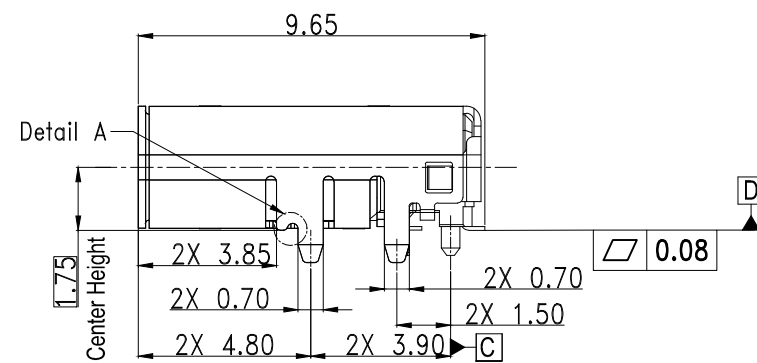
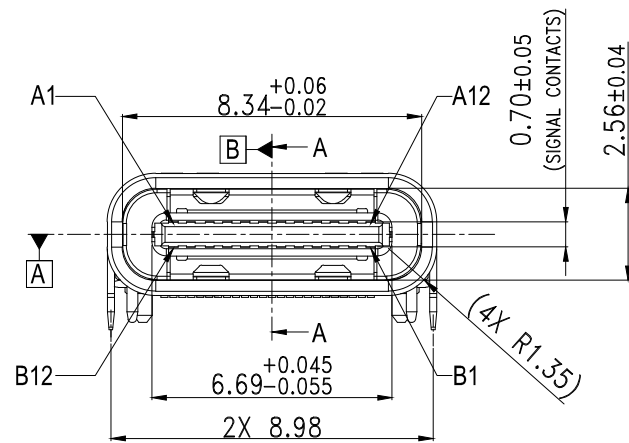
CUSTOMER DRAWING

REVISIONS

SYM	ECN	DESCRIPTION	DATE	APPROVED
1	***	NEW RELEASE	03/29/18	Tom.Tang
2	***	Update PN No.:12401899E402A=>12401899E412A	10/22/18	Michael.ip
3	***	Add PCB Layout Keep out zone	11/20/18	Michael.ip



Pin No	Signal Name	Mating Sequence	Pin No	Signal Name	Mating Sequence
A1	GND	First	B12	GND	First
A2	TX1+	Second	B11	RX1+	Second
A3	TX1-	Second	B10	RX1-	Second
A4	Vbus	First	B9	Vbus	First
A5	CC1	Second	B8	SBU2	Second
A6	D+	Second	B7	D-	Second
A7	D-	Second	B6	D+	Second
A8	SBU1	Second	B5	CC2	Second
A9	Vbus	First	B4	Vbus	First
A10	RX2-	Second	B3	TX2-	Second
A11	RX2+	Second	B2	TX2+	Second
A12	GND	First	B1	GND	First
SHELL	GND		SHELL	GND	



UNLESS OTHERWISE SPECIFIED TOLERANCES

	U.S.	METRIC
.X	+/-	0.50
.XX	+/-	0.15
.XXX	+/-	0.10
FRACTIONS	+/-	
ANGLES	+/-	3°

FOR MATERIALS AND FINISHES SEE NOTES

REMOVE SHARP EDGES

DIMENSIONS

U.S.	INCHES
(METRIC)	(MM)

APPROVAL	DATE
DRAWN Allan.Lai	07/27/20
CHECKED Michael.Qin	07/27/20
CHECKED Michael.Qin	

DRAWING FILE :

ANGLE OF PROJECTION

Amphenol	
Amphenol East Asia Limited	
TITLE USB 3.1 GEN2, Type C connector, R/A , Top mount, Double SMT type, CH=1.58mm	
SIZE	DRAWING NO.
A3	C 12401899
SCALE	REV.
NONE	3
SHEET 1 OF 2	

This document is the property of Amphenol Corporation and is delivered on the express condition that it is not to be disclosed, reproduced or used, in whole or in part, for manufacture or sale by anyone other than Amphenol Corporation without its prior consent, & that no right is granted to disclose or to use any information in this document.

CUSTOMER DRAWING

REVISIONS

SYM	ECN	DESCRIPTION	DATE	APPROVED

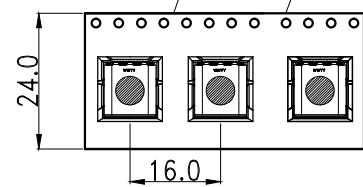
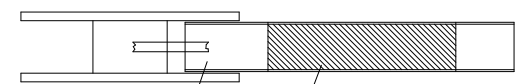
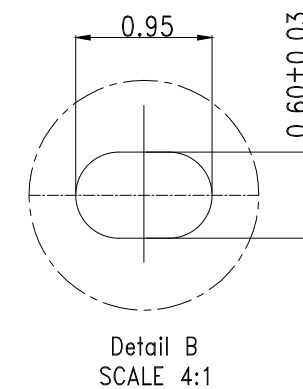
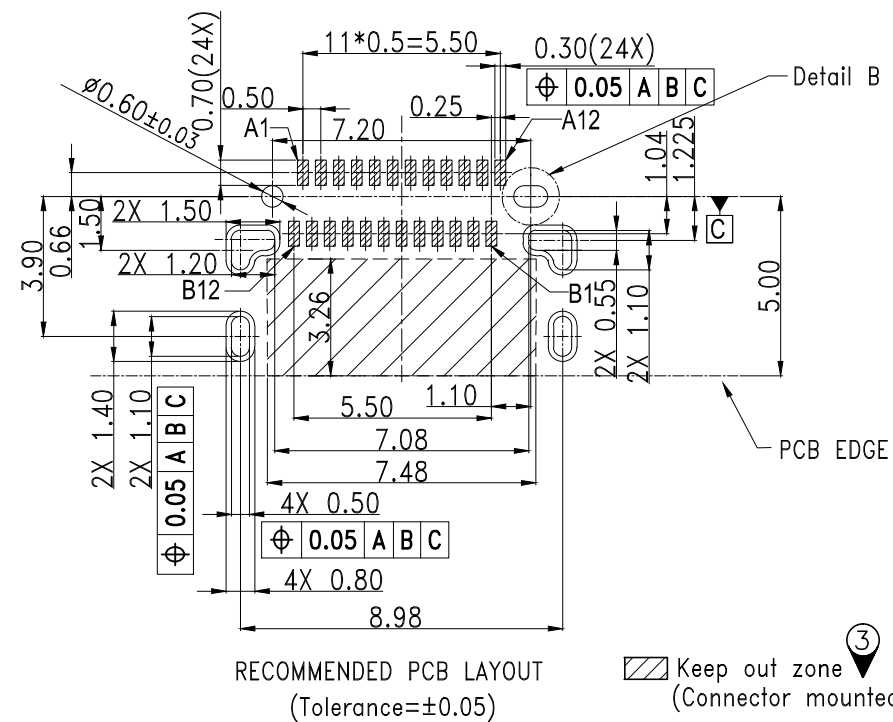
NOTES:

1. Material : See Bill Of Material
2. Waterproof : IP52
3. Electrical Characteristics:
 Low Level Contact Resistance: 40mΩ Max
 Insulation resistance :100MΩ Min
 Dielectric Withstanding Voltage:100 VAC
 Contact Current Rating ::5A Max
4. Mechanical Characteristics:
 Insertion Force: 5~20N
 Extraction Force: 8~20N
 After Durability Extraction Force: 6~20N
5. Durability: 10000 Cycles
6. Packaging Type: Carrier Reel.
7. Material Should Be Fulfilled Amphenol SPEC# SSN002
 And Customer Requirements, For HALOGEN FREE Products,
 Also Need To Meet SSN004

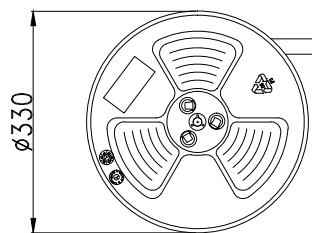
8. Part Number: 12401899XX12A

Plating Spec: _____
 E4: Mating Area: Au 30u" Min
 Solder Area: 100u" Min Matte Tin
 50u" Min Nickel Under Plating Over All

A: HF
 Package Spec.
 2: Reel
 Date Code Description
 1: With D/C



customer unwinding direction



Packing:
 1. 1000 Pcs/Reel.
 2. 8 Reels/Carton.

Item	Description	Q'TY	Material	Finish
5	MAIN HOUSING	1	High Temperature Plastic	Black
	BOTTOM TERMINAL	1	Copper Alloy	See Notes
	TOP TERMINAL	1	Copper Alloy	See Notes
	GND SHEET	1	Stainless Steel	Nickel: 30u" Min
4	SILICONE RING	1	High Temperature Plastic	Transparent
3	OUTER SHELL	1	Stainless Steel	Nickel: 30u" Min
2	MAIN SHELL	1	Stainless Steel	Nickel: 30u" Min
1	EMC	2	Stainless Steel	Nickel: 50u" Min

Bill Of Material

UNLESS OTHERWISE SPECIFIED TOLERANCES	
U.S.	METRIC
.X	+/- 0.50
.XX	+/- 0.15
.XXX	+/- 0.10
FRACTIONS	+/- 3'
ANGLES	+/-

APPROVAL	DATE
DRAWN Allan.Lai	07/27/20
CHECKED Michael.Qin	07/27/20
CHECKED Michael.Qin	

DRAWING FILE :

REMOVE SHARP EDGES	ANGLE OF PROJECTION
DIMENSIONS	
U.S. INCHES	
(METRIC) (MM)	

Amphenol	
Amphenol East Asia Limited	
TITLE USB 3.1 GEN2, Type C connector, R/A , Top mount, Double SMT type, CH=1.58mm	
SIZE	DRAWING NO.
A3	C 12401899
SCALE	SHEET 2 OF 2
NONE	REV. 3