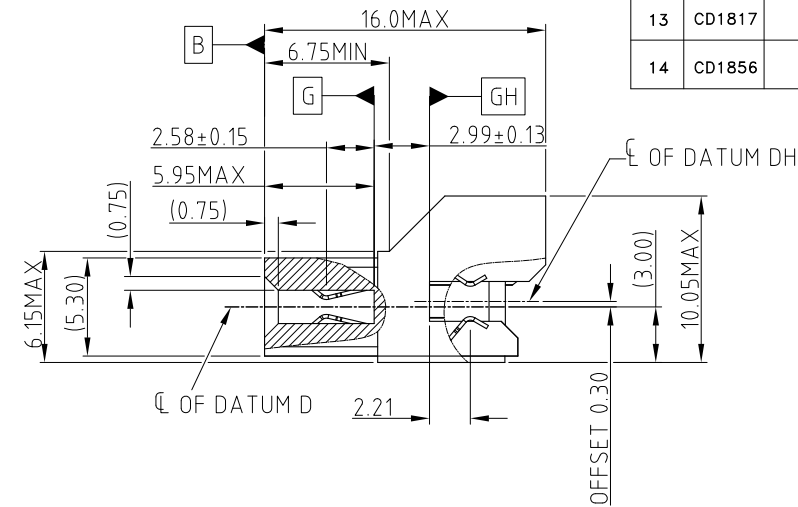
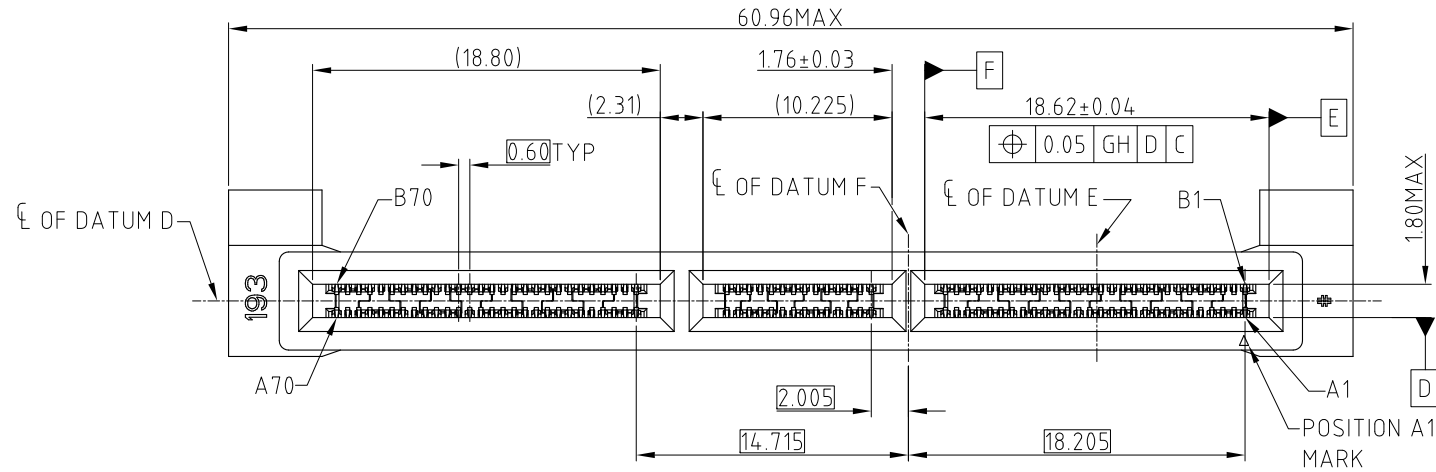


This document is the property of Amphenol Corporation and is delivered on the express condition that it is not to be disclosed, reproduced or used, in whole or in part, for manufacture or sale by anyone other than Amphenol Corporation without its prior consent, & that no right is granted to disclose or to use any information in this document.

CUSTOMER DRAWING

REVISIONS

SYM	ECN	DESCRIPTION	DATE	APPROVED
6	CDXXXX	UPDATED BY SFF TA1002 V1.1	Jan.26,2018	YH
7	CDXXXX	CORRECT THE PIN DINFINE	Feb.08,2018	YH
8	CDXXXX	DEFINED THE NUTS SPEC	Mar.26,2018	YH
9	CDXXXX	UPDATED DRAWING	May.30,2018	YH
10	CDXXXX	REVISE THE PCB GOLD FINGER	Jul.18,2018	YH
11	CDXXXX	REVISE THE PCB THICKNESS TOLERANCE AND SLOT	Aug.16,2018	YH
12	CD1555	UPDATED BY SFF TA 1002 REV 1.1.3	Nov.08,2018	YH
13	CD1817	CHANGE NUT FROM STANDARD TO RECTANGLE AND ADD PACKING	Jul.11,2019	YH
14	CD1856	STANDARDIZE THE WAFER CONSTRUCTURE	Sep.24,2019	YH

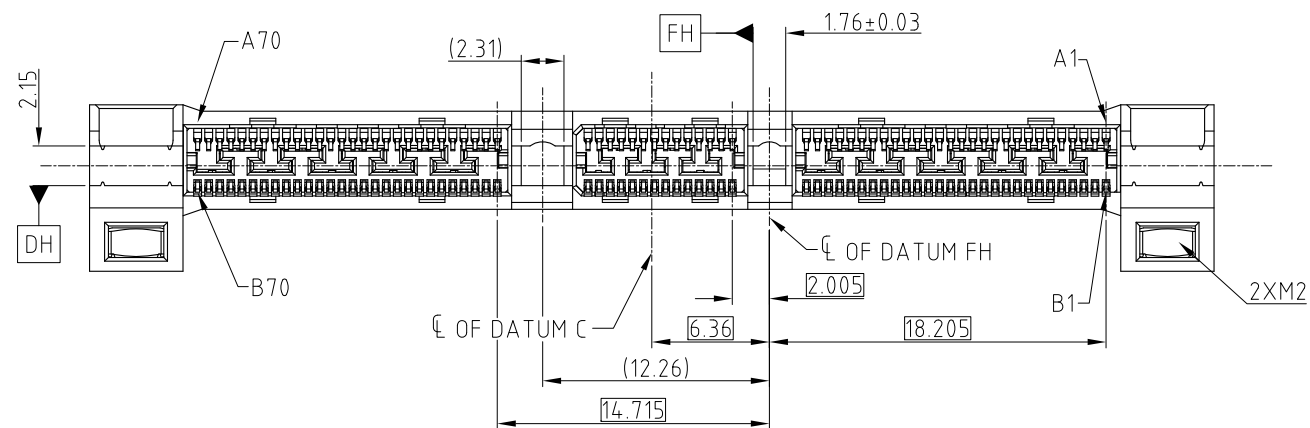
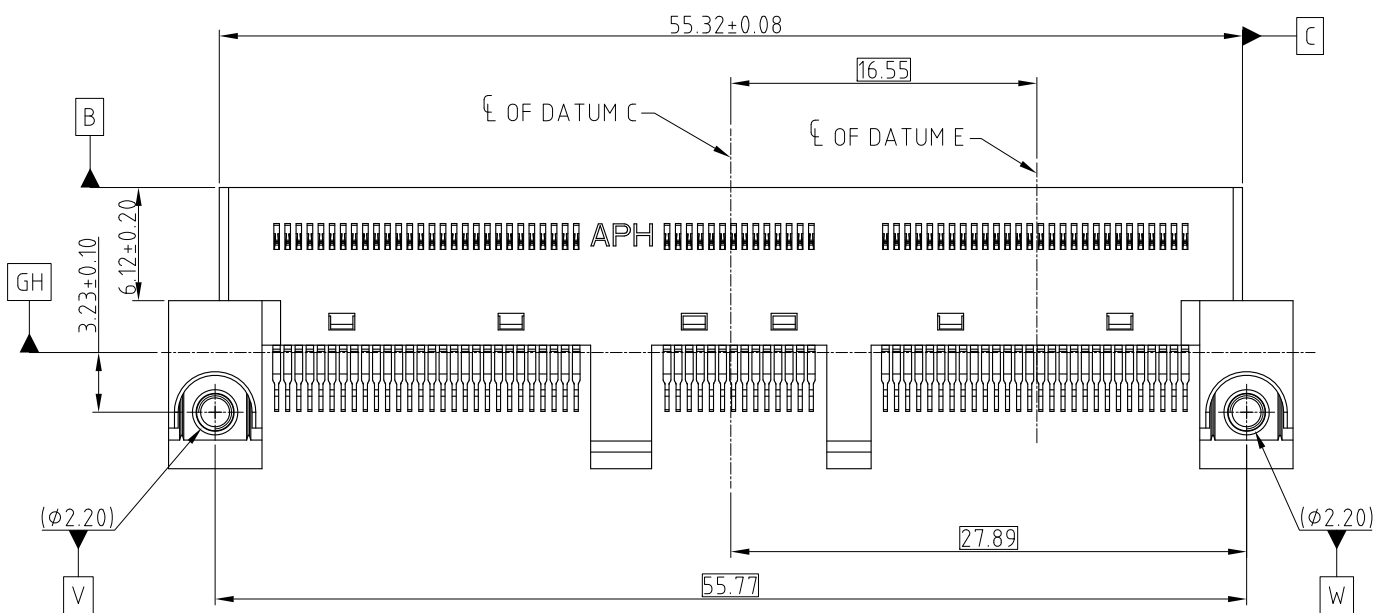


NOTE:

- MATERIAL:**
HOUSING: HIGH TEMPERATURE THERMOPLASTIC BLACK UL94-V0
CONTACT: COPPER ALLOY
NUT: STAINLESS STEEL
- PLATING:**
CONTACT: MATING AREA: Au THICKNESS PLEASE REFER TO P/N SYSTEM
OVER 1.27-2.54 μm NICKEL UNDERPLATED
SOLDER AREA: 1.27 μm MIN TIN OVER 1.27-2.54 μm NICKEL UNDERPLATED
- ELECTRICAL PERFORMANCE:**
RATED CURRENT: 1.1A/PIN UP TO 12PINS
LLCR: 30mΩ MAX, DELTA 15 mΩ.
INSULATION RESISTANCE: 1000MΩ MIN
- DURABILITY:** 200 CYCLES.
- MATERIAL SHOULD BE FULFILLED AMPHENOL SPEC# S-SN-002 AND S-SN-004**
- ORDERING PN SYSTEM : ME101401340131X**

PLATING SPEC

- 0.76um Au
- 0.38um Au
- GOLD FLASH
- PdNi 0.76um+G/F



UNLESS OTHERWISE SPECIFIED TOLERANCES	
U.S.	METRIC
.X +/-	0.25
.XX +/-	0.20
.XXX +/-	0.15
FRACTIONS +/-	
ANGLES +/-	5°

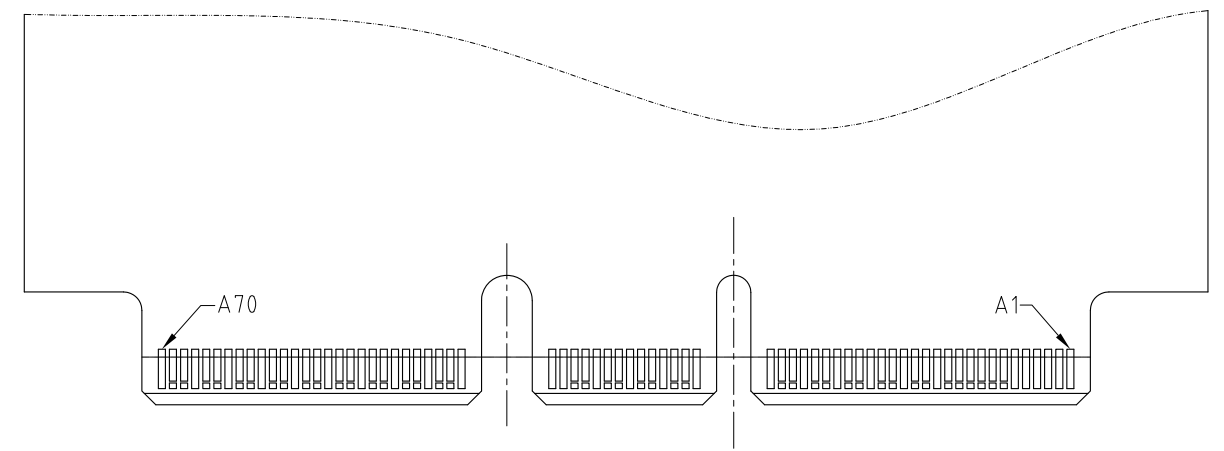
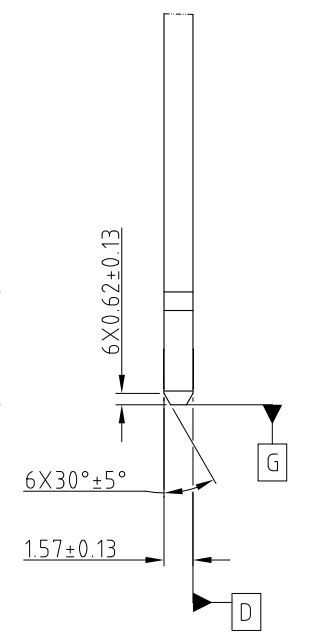
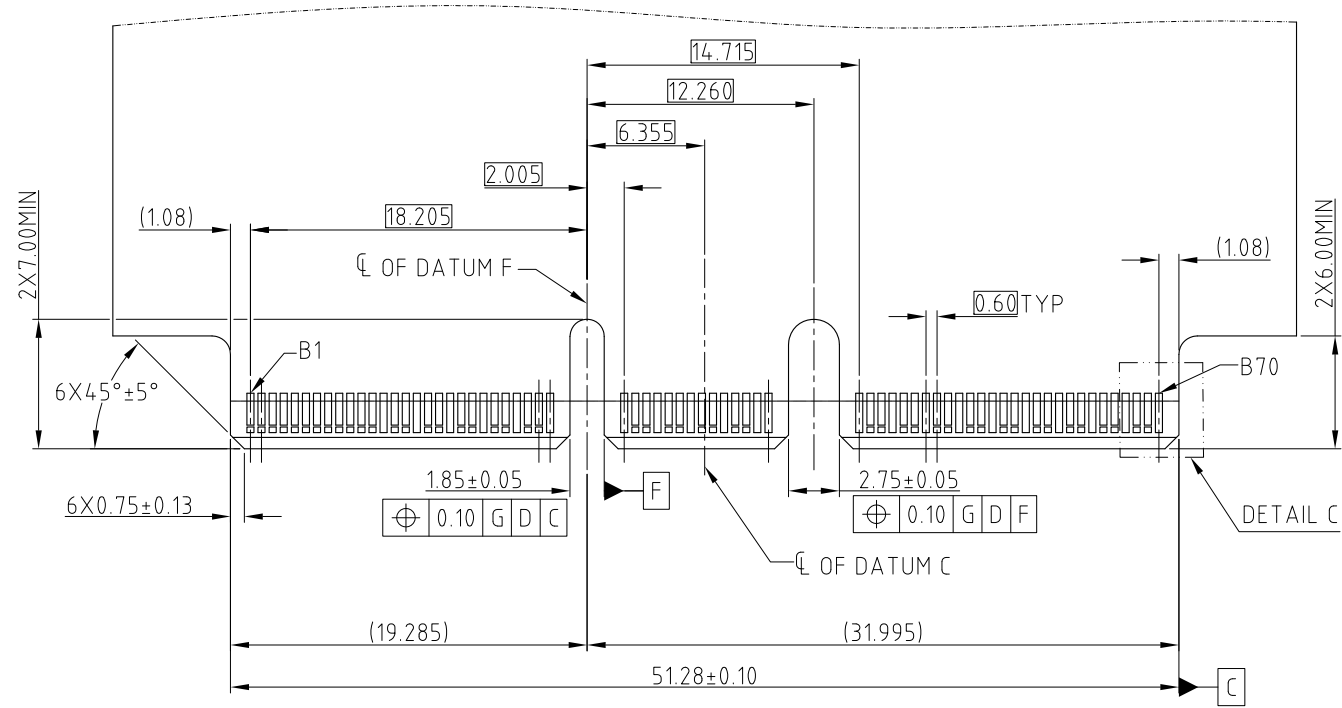
APPROVAL		DATE
DRAWN	Teng.Cao	Sep.24,2019
CHECKED	Ly.Yi	Sep.24,2019
APPROVED		
DRAWING FILE :		
INTERNAL\ME\C ME101401340131X		
REMOVE SHARP EDGES		
DIMENSIONS		
—U.S.—	INCHES	
(METRIC)	(mm)	
ANGLE OF PROJECTION		

Amphenol		
TITLE		
MINI COOL EDGE CONNECTOR		
140P S/M MATE 1.93 HOST PCB		
SIZE	DRAWING NO.	REV.
A3	C ME101401340131X	14
SCALE	NONE	SHEET 1 OF 3

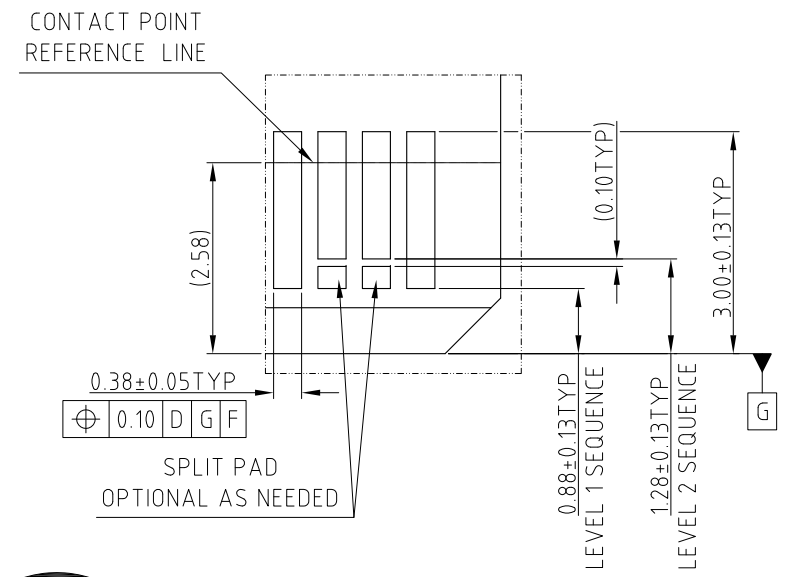
This document is the property of Amphenol Corporation and is delivered on the express condition that it is not to be disclosed, reproduced or used, in whole or in part, for manufacture or sale by anyone other than Amphenol Corporation without its prior consent, & that no right is granted to disclose or to use any information in this document.

CUSTOMER DRAWING

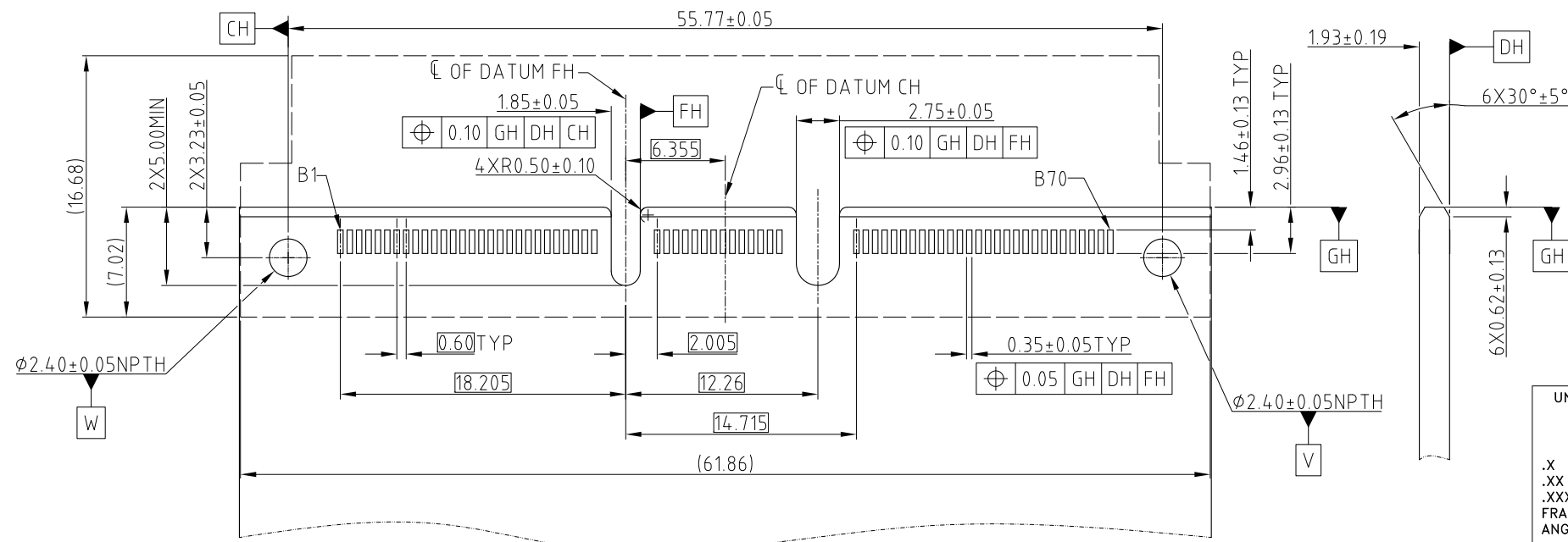
REVISIONS				
SYM	ECN	DESCRIPTION	DATE	APPROVED
		SEE SHEET 1		



RECOMMENDED AIC MATING CARD



DETAIL C
SCALE 4:1



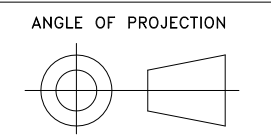
NOTE: POSITION A1 ON THE OPPOSITE SIDE OF CARD OF B1
RECOMMENDED FOOTPRINT

UNLESS OTHERWISE SPECIFIED TOLERANCES	
U.S.	METRIC
.X +/-	0.25
.XX +/-	0.20
.XXX +/-	0.15
FRACTIONS +/-	5°
ANGLES +/-	

APPROVAL	DATE
DRAWN Teng.Cao	Sep.24,2019
CHECKED Ly.Yi	Sep.24,2019
APPROVED	

Amphenol		
TITLE MINI COOL EDGE CONNECTOR 140P S/M MATE 1.93 HOST PCB		
SIZE A3	DRAWING NO. C ME101401340131X	REV. 14
SCALE NONE	SHEET 2 OF 3	

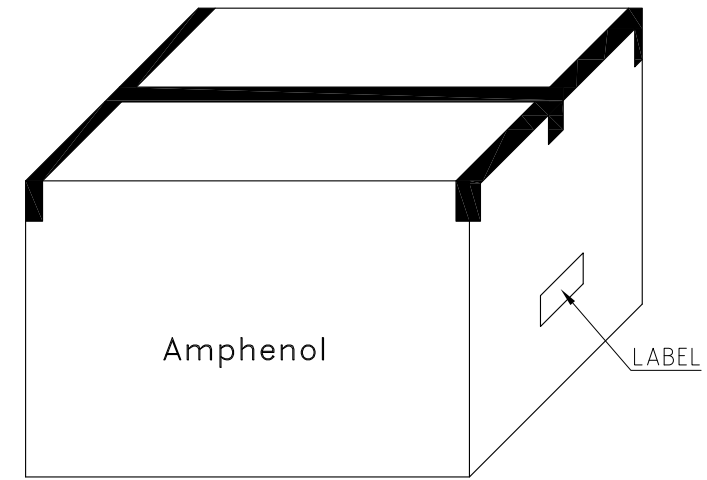
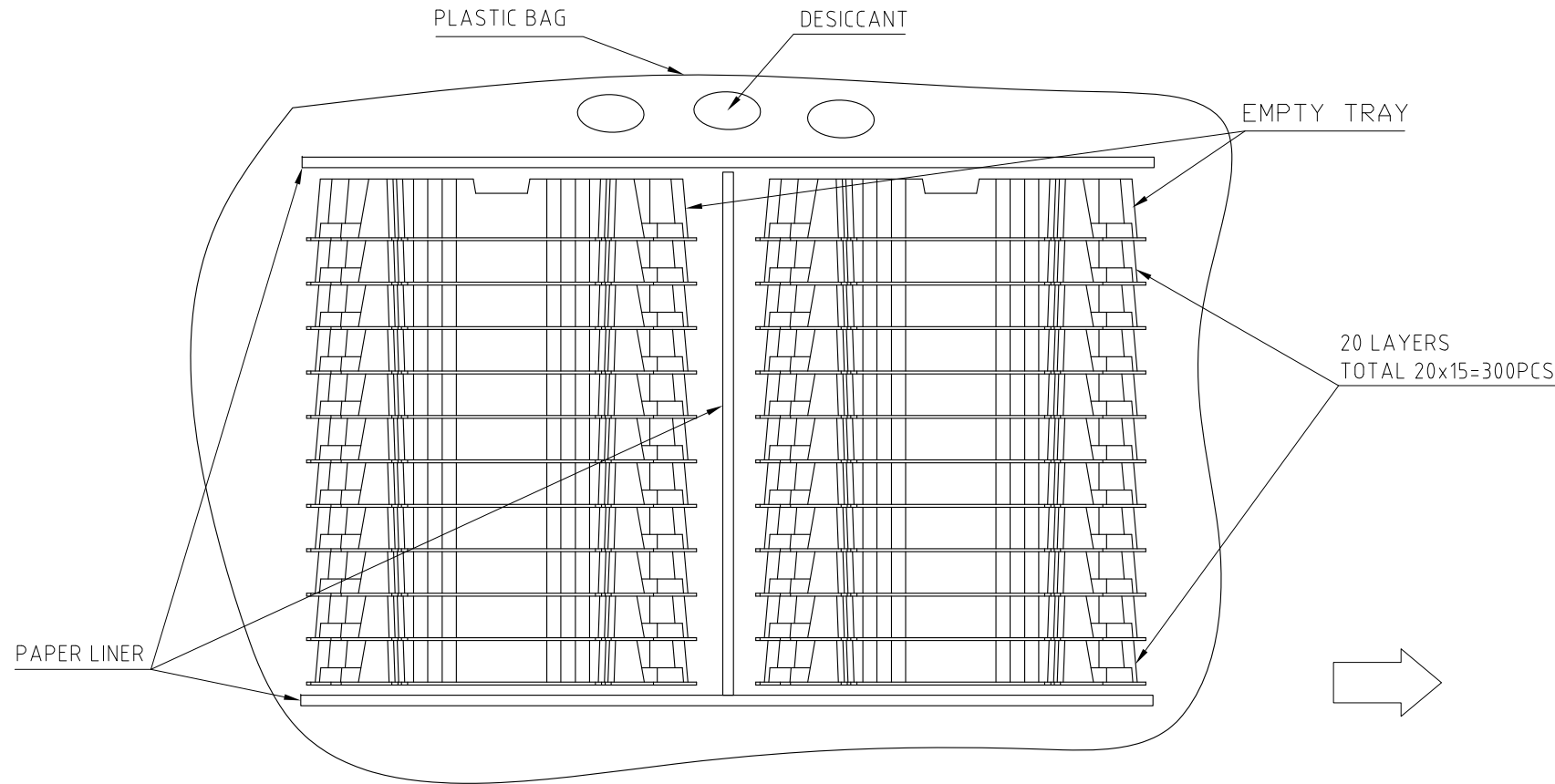
DIMENSIONS	
—U.S.—	INCHES
(METRIC)	(mm)



This document is the property of Amphenol Corporation and is delivered on the express condition that it is not to be disclosed, reproduced or used, in whole or in part, for manufacture or sale by anyone other than Amphenol Corporation without its prior consent, & that no right is granted to disclose or to use any information in this document.

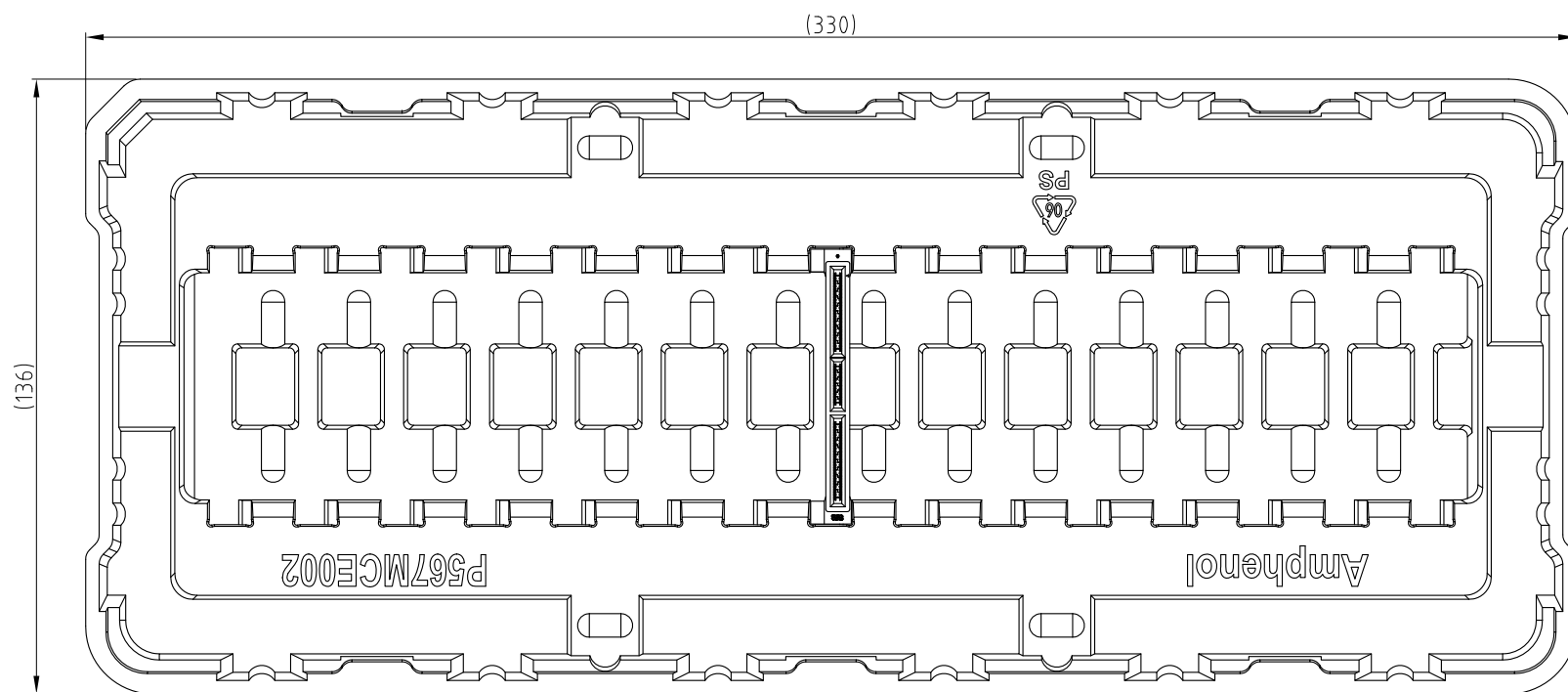
CUSTOMER DRAWING

REVISIONS				
SYM	ECN	DESCRIPTION	DATE	APPROVED
		SEE SHEET 1		



300PCS / CARTON

15 CONNECTORS / TRAY



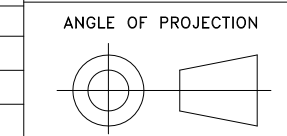
UNLESS OTHERWISE SPECIFIED TOLERANCES	
U.S.	METRIC
.X +/-	0.25
.XX +/-	0.20
.XXX +/-	0.15
FRACTIONS +/-	5°
ANGLES +/-	

FOR MATERIALS AND FINISHES SEE NOTES

DIMENSIONS	
—U.S.—	INCHES
(METRIC)	(mm)

APPROVAL	DATE
DRAWN Teng.Cao	Sep.24,2019
CHECKED Ly.Yi	Sep.24,2019
APPROVED	

DRAWING FILE : INTERNAL\ME\C ME101401340131X



Amphenol		
TITLE MINI COOL EDGE CONNECTOR 140P S/M MATE 1.93 HOST PCB		
SIZE A3	DRAWING NO. C ME101401340131X	REV. 14
SCALE	NONE	SHEET 3 OF 3