

10144517- AA B C D E FF

AA	POSITION
04	2X20
06	2X30
08	2X40
10	2X50
12	2X60

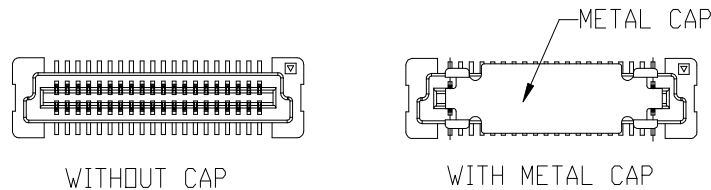
B		FOR PLUG, SEE DWG. NO. 10144518			
COMBINATION OF MATED HEIGHT	Plug 1	Plug 2	Plug 3	Plug 4	
Recep 1					
Recep 2					
Recep 3					
Recep 4					

E	PACKAGING
2	T&R WITH METAL CAP
3	T&R WITHOUT CAP

D	POLARIZATION PEG	HOLD DOWN
0	YES	NO
2	NO	NO

C	PLATING ON CONTACT AREA	FF
8	GOLD FLASH ON CONTACT AREA; PURE TIN 2.5um MIN (LEAD FREE) ON SOLDER TAIL NICKEL UNDERPLATE OVERALL 1.27um MIN	LF

Amphenol FCI



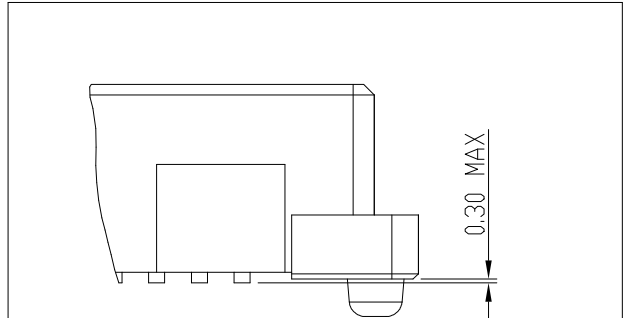
NOTE:

- MATERIAL:
HOUSING: G.F. LCP, NATURAL, UL94-V0
TERMINAL: COPPER ALLOY
- PLATING: AS SHOWN IN TABLE.
- SEE GS-12-1424 FOR PRODUCT SPEC.
- THIS PRODUCT MEETS THE EUROPEAN UNION DIRECTIVES AND OTHER COUNTRY REGULATIONS AS DESCRIBED IN GS-22-008.
- THE HOUSING WILL WITHSTAND EXPOSURE UP TO 260~ PEAK TEMPERATURE FOR 30 SECONDS IN A CONVECTION, INFRA-RED OR VAPOR PHASE REFLOW OVEN.

mat'l. code		surface ISO 1302 ✓	tolerance ISO 406 ISO 1101	projection	product family
ltr	ecn no	dr	date	tolerances unless otherwise specified	BERGSTAK
A		Bob	07/25/17	angles	title RECEPTACLE ASSY BERGSTAK 0.8MM
B	ELX-N-32751	Bob	02/22/19	linear	
				linear	mm
				scale 1:1	dwg no
		dr	Bob Gu	07/05/17	sheet 1 of 7
		engr	Bob Gu	02/22/19	size
		chr	LQ Lei	02/22/19	10144517
		appd	Tim Yao	02/22/19	A3
sheet index	revision sheet	A	B		type
		1~7	1~7		Product Customer Drawing

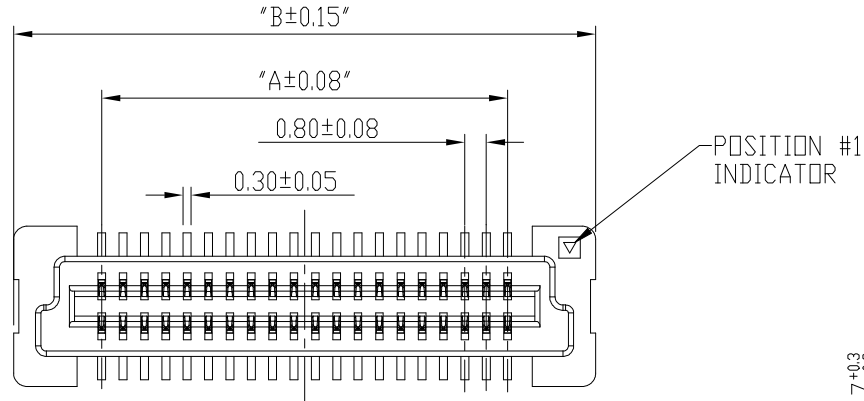


PRODUCT NO.	NUMBER OF POSITIONS	DIMENSION		
		A	B	C
10144517-041***	2X20	15.2	21.8	20.2
10144517-061***	2X30	23.2	29.8	28.2
10144517-081***	2X40	31.2	37.8	36.2
10144517-101***	2X50	39.2	45.8	44.2
10144517-121***	2X60	47.2	53.8	52.2

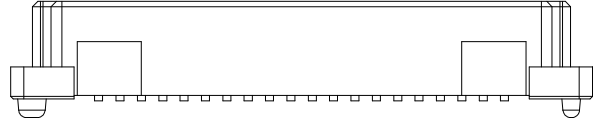
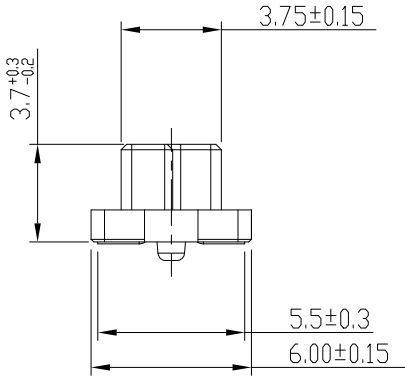
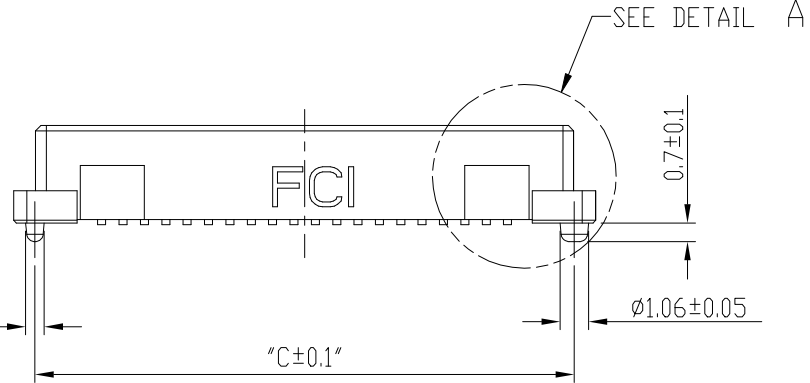


COPLANARITY OF TAIL:
0.1 MAX. APPLIED TO 2X20 TO 2X60 POS.

DETAIL A
SCALE 10:1



POSITION #1 INDICATOR



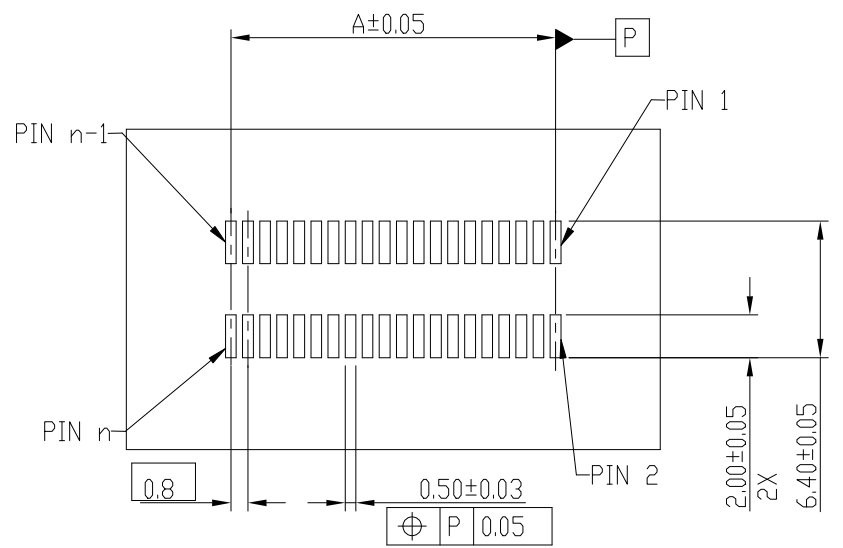
RECEPTACLE 1

mat'l. code		surface B		tolerance		projection		product family	
		ISO 1302 ✓		ISO 406 ISO 1101		1101		BERGSTAK	
ltr		ecn no		dr		date		title	
B								RECEPTACLE ASSY BERGSTAK 0.8MM	
				angles		linear		dwg no	
				.0±.2		.00±.15		sheet 2 of 7	
				x'±2'		.000±.10		size	
						scale 1:1		A3	
				dr		Bob Gu 07/05/17		type	
				engr		Bob Gu 02/22/19		Product Customer Drawing	
				chr		LQ Lei 02/22/19			
				appd		Tim Yao 02/22/19			
sheet index		revision sheet		A B					
		1~7 1~7							

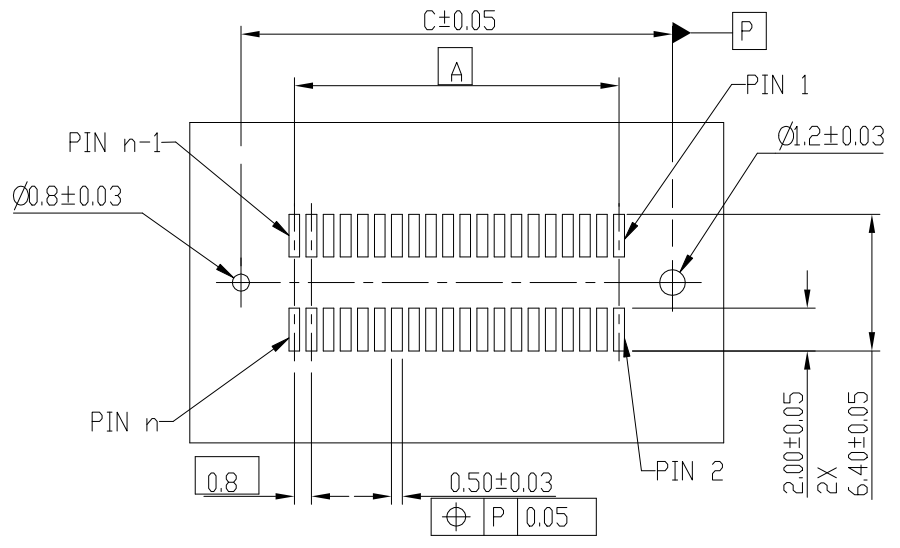


Amphenol FCI

© 2016 AFCI



RECOMMENDED PCB LAYOUT WITHOUT PEGS AND HOLDDOWN



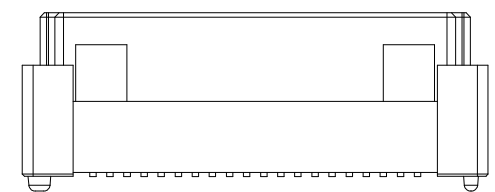
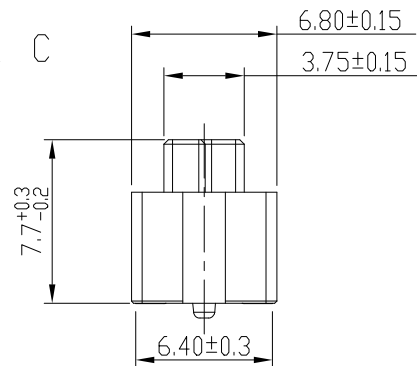
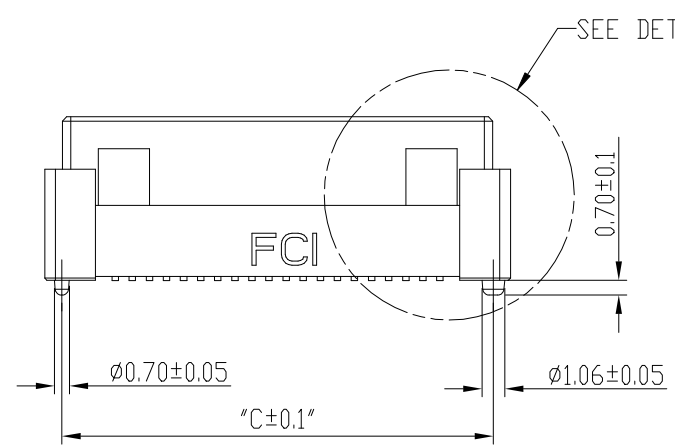
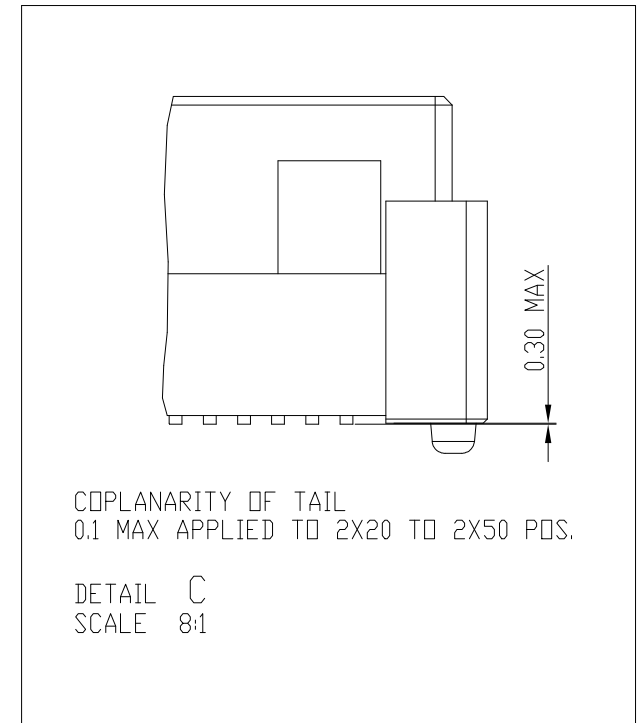
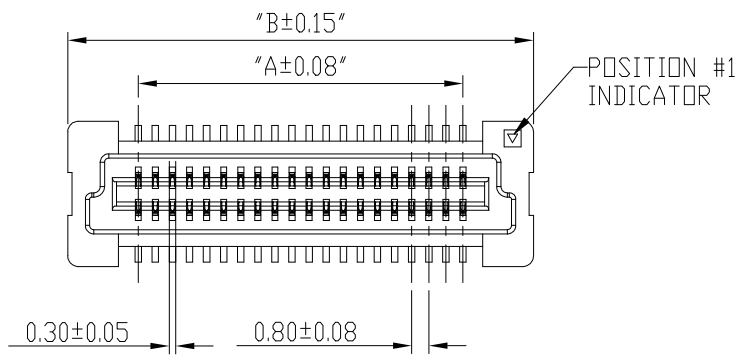
RECOMMENDED PCB LAYOUT WITH PEGS FOR NO. OF POSITION 2X20, 2X30, 2X40, 2X50, 2X60

RECEPTACLE 1

mat'l. code		surface ISO 1302 ✓		tolerance ISO 406 ISO 1101		projection		product family	
ltr		ecn no		dr		date		BERGSTAK	
B								title	
				angles		linear		RECEPTACLE ASSY	
				x°±2'		.0±.2		BERGSTAK 0.8MM	
						.00±.15		dwg no	
						.000±.10		sheet 3 of 7	
				dr		Bob Gu 07/05/17		size	
				engr		Bob Gu 02/22/19		A3	
				chr		LQ Lei 02/22/19		10144517	
				appd		Tim Yao 02/22/19		type	
								Product Customer Drawing	
sheet index		revision sheet		A 1~7		B 1~7			



PRODUCT NO.	NUMBER OF POSITIONS	DIMENSION		
		A	B	C
10144517-042***	2X20	15.2	21.8	20.2
10144517-062***	2X30	23.2	29.8	28.2
10144517-082***	2X40	31.2	37.8	36.2
10144517-102***	2X50	39.2	45.8	44.2



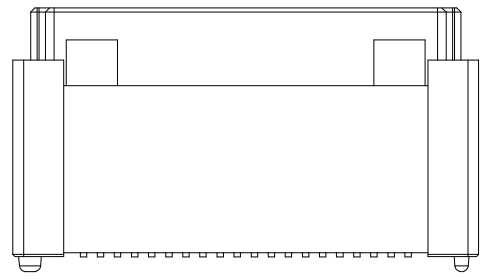
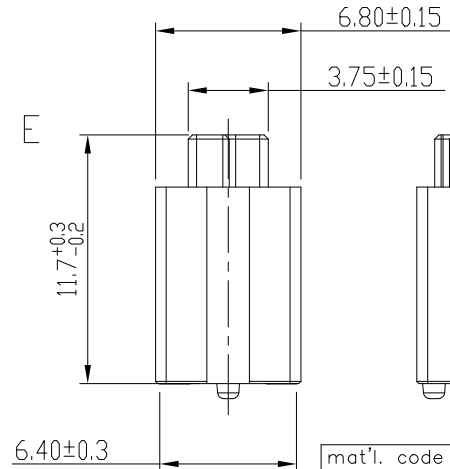
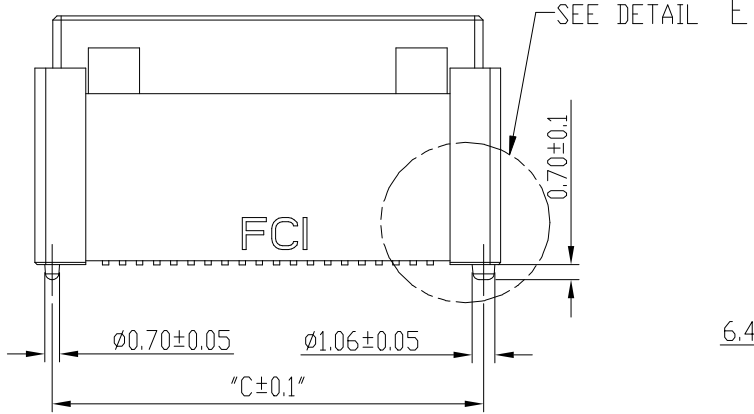
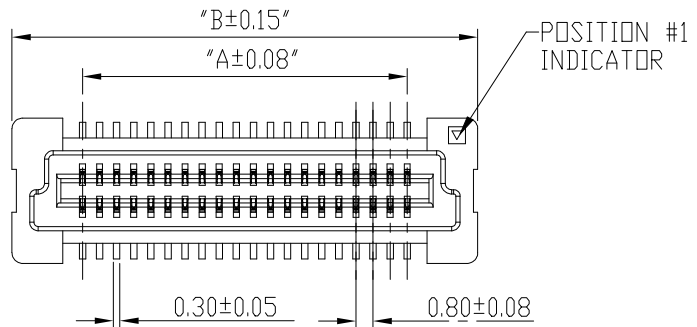
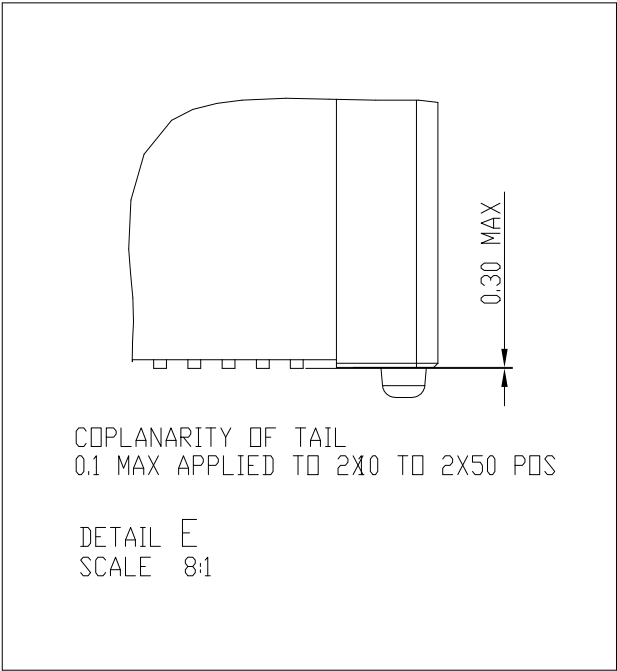
RECEPTACLE 2

mat'l. code		surface ISO 1302 <input checked="" type="checkbox"/>		tolerance ISO 406 ISO 1101		projection <input checked="" type="checkbox"/>		product family BERGSTAK	
ltr	ecn no	dr	date	tolerances unless otherwise specified		title		RECEPTACLE ASSY BERGSTAK 0.8MM	
B				angles	linear	mm		dwg no 10144517 sheet 4 of 7 size A3	
				$X \pm 2'$		scale 1:1		type Product Customer Drawing	
				dr	Bob Gu	07/05/17	Amphenol FCI		
				enr	Bob Gu	02/22/19			
				chr	LQ Lei	02/22/19			
				appd	Tim Yao	02/22/19			
sheet index	revision sheet	A 1~7	B 1~7						

Amphenol FCI

© 2016 AFCI

PRODUCT NO.	NUMBER OF POSITIONS	DIMENSION		
		A	B	C
10144517-043***	2X20	15.2	21.8	20.2
10144517-063***	2X30	23.2	29.8	28.2
10144517-083***	2X40	31.2	37.8	36.2
10144517-103***	2X50	39.2	45.8	44.2



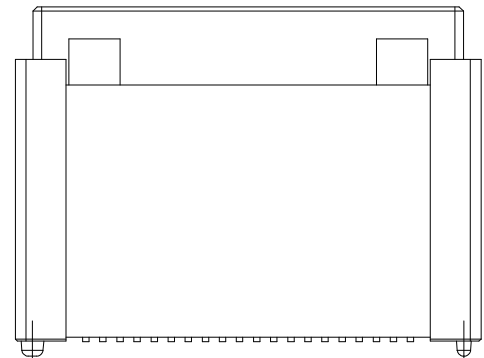
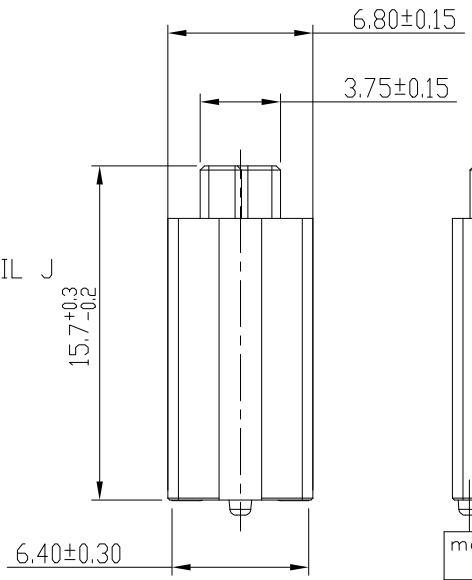
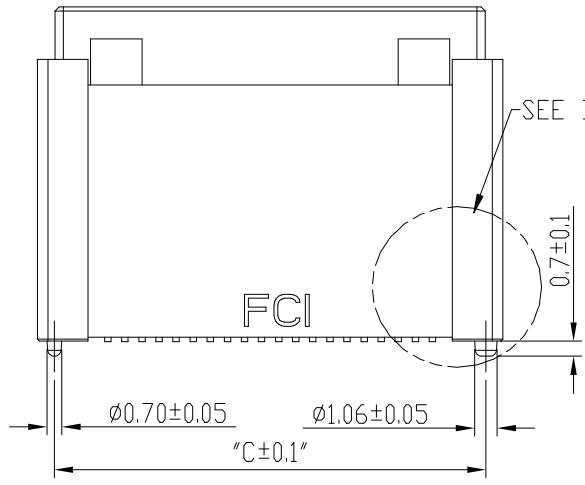
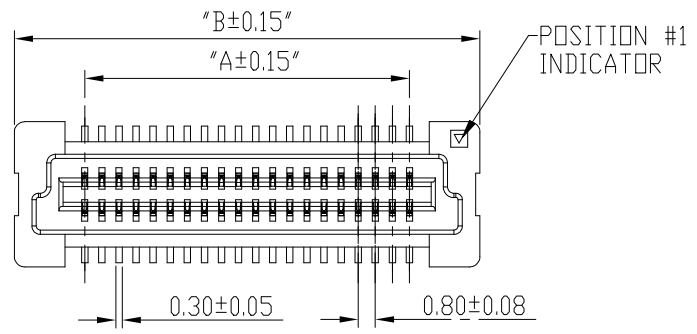
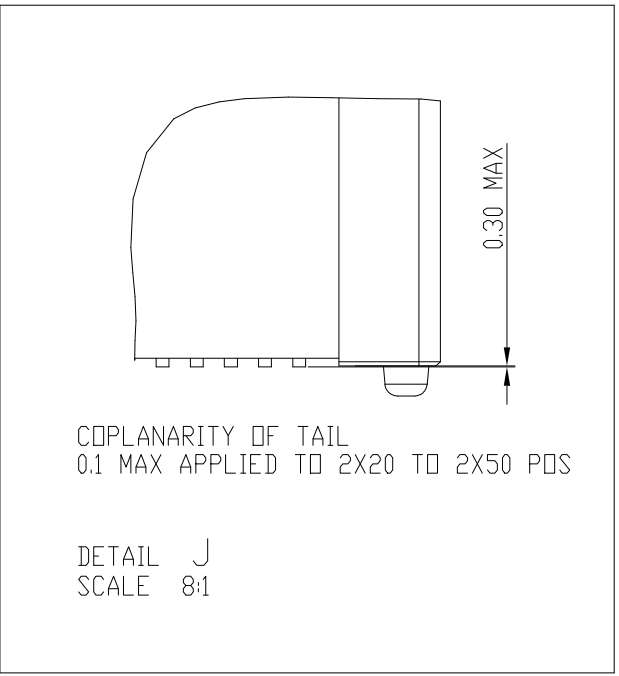
RECEPTACLE 3

mat'l. code		surface ISO 1302 ✓		tolerance ISO 406 ISO 1101		projection		product family	
ltr		ecn no		dr		date		BERGSTAK	
B								title	
								RECEPTACLE ASSY	
								BERGSTAK 0.8MM	
								dwg no	
								sheet 5 of 7	
								size	
								A3	
								type	
								Product Customer Drawing	
sheet index		revision sheet		A 1~7		B 1~7			

Amphenol FCI

© 2016 AFCI

PRODUCT NO.	NUMBER OF POSITIONS	DIMENSION		
		A	B	C
10144517-044***	2X20	15.2	21.8	20.2
10144517-064***	2X30	23.2	29.8	28.2
10144517-084***	2X40	31.2	37.8	36.2
10144517-104***	2X50	39.2	45.8	44.2



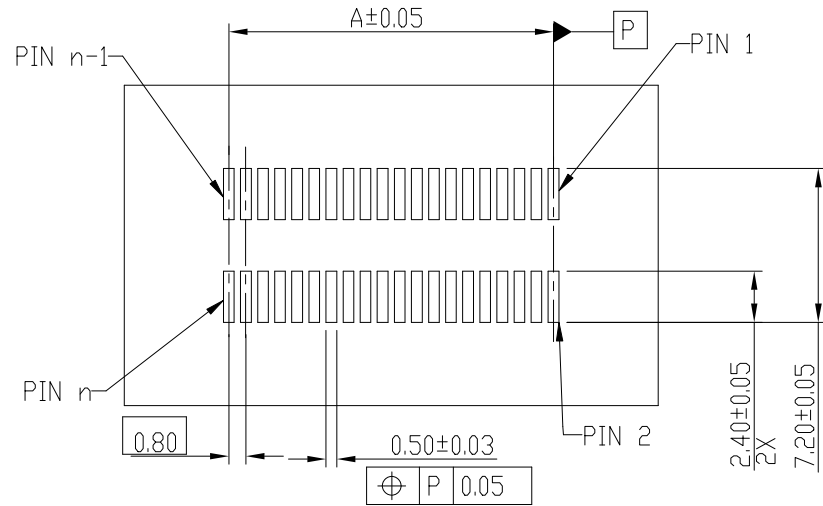
RECEPTACLE 4

mat'l. code		surface ISO 1302 ✓		tolerance ISO 406 ISO 1101		projection 1101		product family BERGSTAK	
ltr	ecn no	dr	date	tolerances unless otherwise specified		title		RECEPTACLE ASSY BERGSTAK 0.8MM	
B				angles	linear	mm		dwg no 10144517 sheet 6 of 7 size A3	
				x±2'		scale 1:1		type Product Customer Drawing	
				dr	Bob Gu	07/05/17	Amphenol FCI		
				enr	Bob Gu	02/22/19			
				chr	LQ Lei	02/22/19			
				appd	Tim Yao	02/22/19			
sheet index	revision sheet	A 1~7	B 1~7						

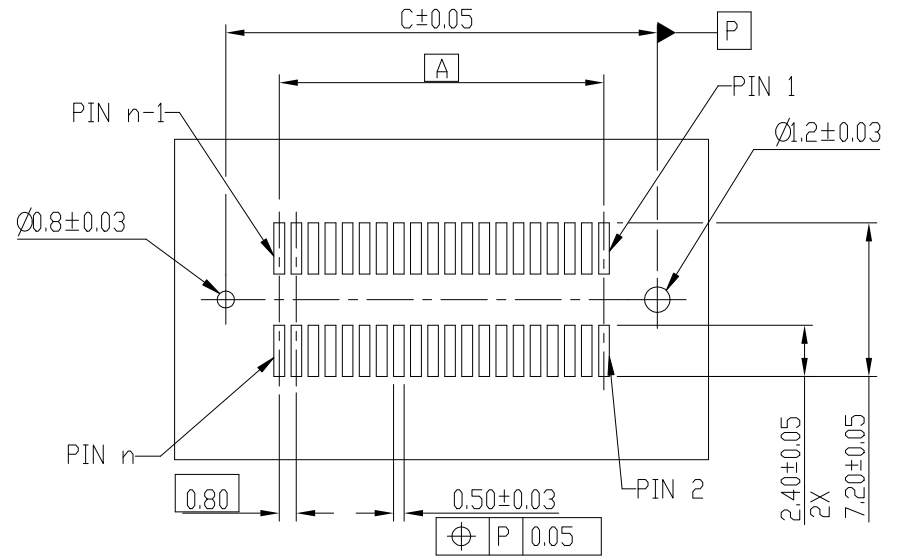
Amphenol FCI

© 2016 AFCl

RECEPTACLE 2 & 3 & 4



RECOMMENDED PCB LAYOUT WITHOUT PEGS AND HOLDDOWN



RECOMMENDED PCB LAYOUT WITH PEGS
FOR NO. OF POSITION 2X10, 2X20, 2X30, 2X40, 2X50

Amphenol
FCI

© 2016 AFCI

mat'l. code		surface ISO 1302 ✓		tolerance ISO 406 ISO 1101		projection		product family	
ltr		ecn no		dr		date		BERGSTAK	
B								title	
				angles linear		.0±.2		RECEPTACLE ASSY	
				X±2'		.00±.15		BERGSTAK 0.8MM	
						.000±.10		scale 1:1	
				dr		Bob Gu 07/05/17		dwg no	
				enr		Bob Gu 02/22/19		sheet 7 of 7	
				chr		LQ Lei 02/22/19		size	
				appd		Tim Yao 02/22/19		A3	
sheet index		revision sheet		A 1~7		B 1~7		type Product Customer Drawing	

