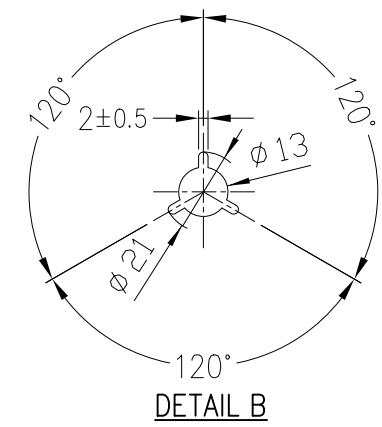
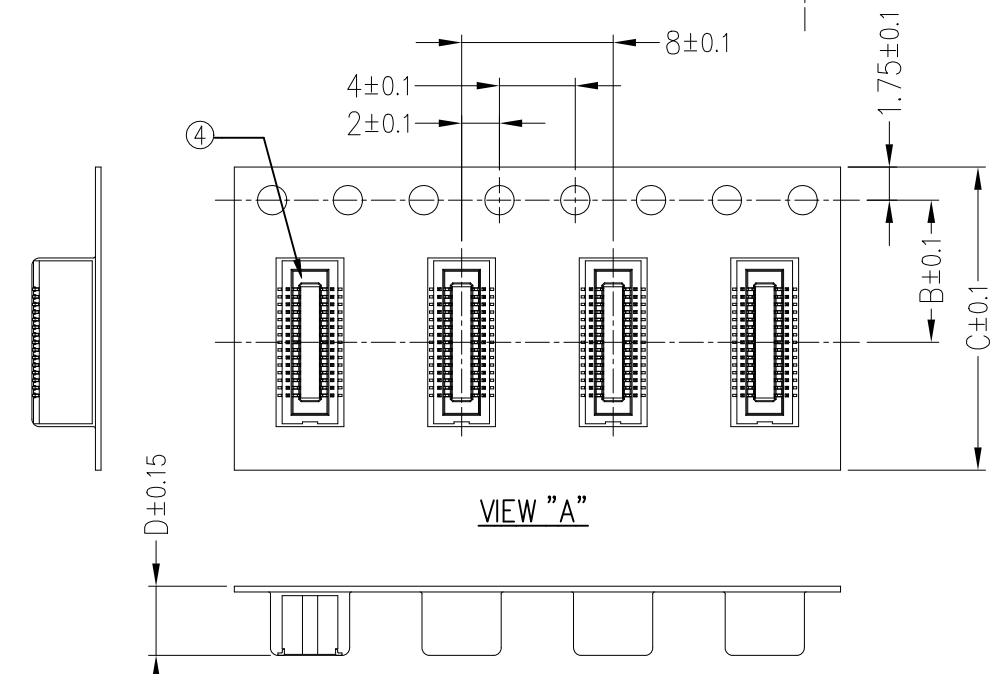
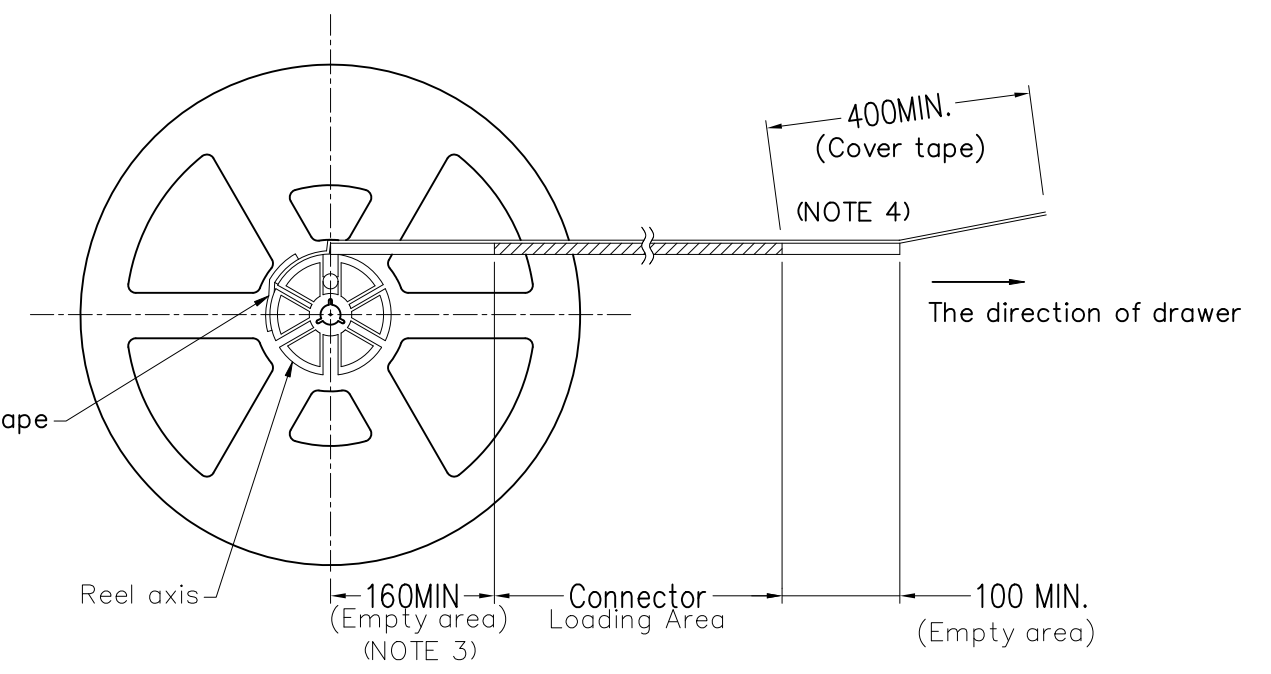
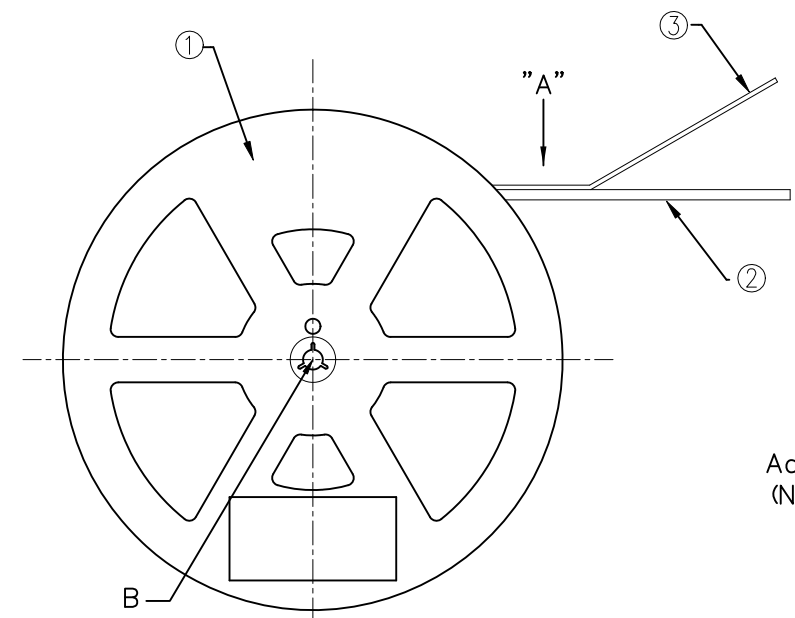
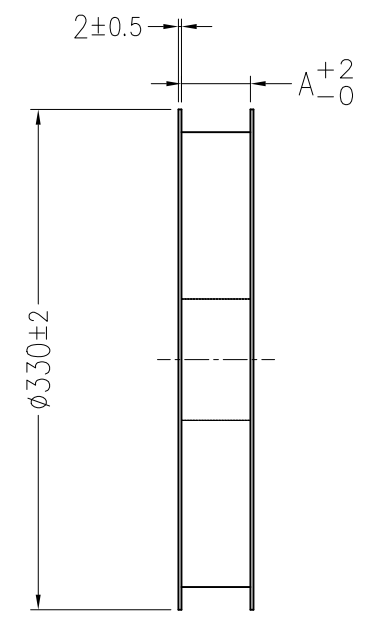


PRODUCT NO.  
10142890-xxxAxEHLF



PRODUCT NUMBER LIST

PRODUCT NUMBER	CONNECTOR P/N	DIMENSIONS			
		A	B	C	D
10142890-030A3EHLF	10142890-030A3HLF	16.5	7.5	16	3.65

PARTS LIST

No.	PARTS NAME	MATERIAL	Q'TY	NOTE
1	REEL	POLYSTYRENE	1	ANTISTATIC
2	EMBOSS TAPE	A-PET	-	ANTISTATIC
3	COVER TAPE	POLYESTER	-	ANTISTATIC
4	CONNECTOR	Sheet 1	2250	SEE ABOVE TABLE

NOTE

- THIS ARTICLE CARRIES OUT THE EMBOSS TAPE PACKAGE OF THE P/N10142890 SERIES CONNECTOR.
- THE SHAPE AND DIMENSIONS OF THIS ARTICLE ARE BASED ON JIS C 0806.  
(TAPING OF ELECTRONIC PARTS (SURFACE MOUNTED DEVICE))
- PRODUCT NUMBER STRUCTURE  
10142890-AAA B C D HLF

HLF : HALOGEN AND LEAD FREE  
PACKAGING OPTION  
E : EMBOSS 8mm PITCH, REEL DIA. ø330, 2250pcs/Reel  
STACK HEIGHT  
3 : 3.5mm  
CONTACT PLATING OPTION  
A : AU FLASH  
NUMBER OF CONTACTS  
030 : 30POS

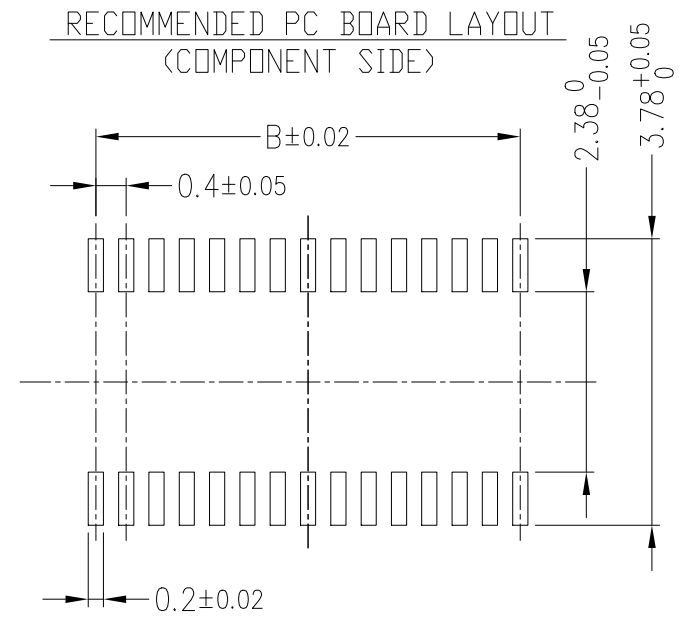
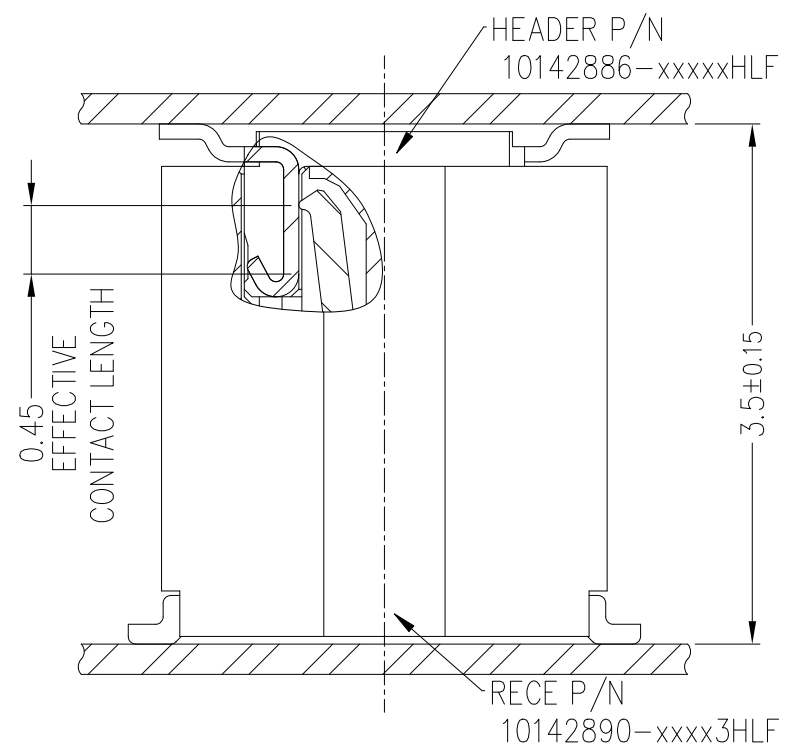
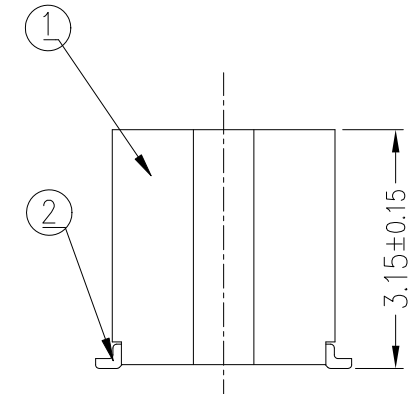
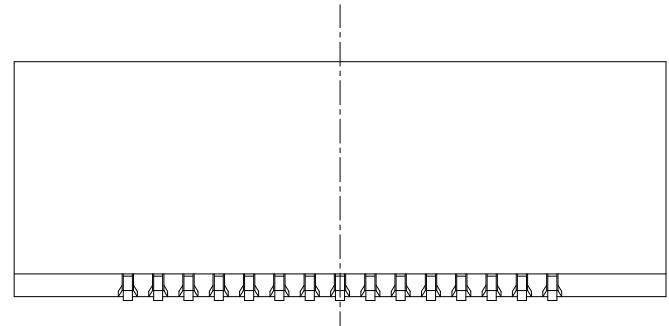
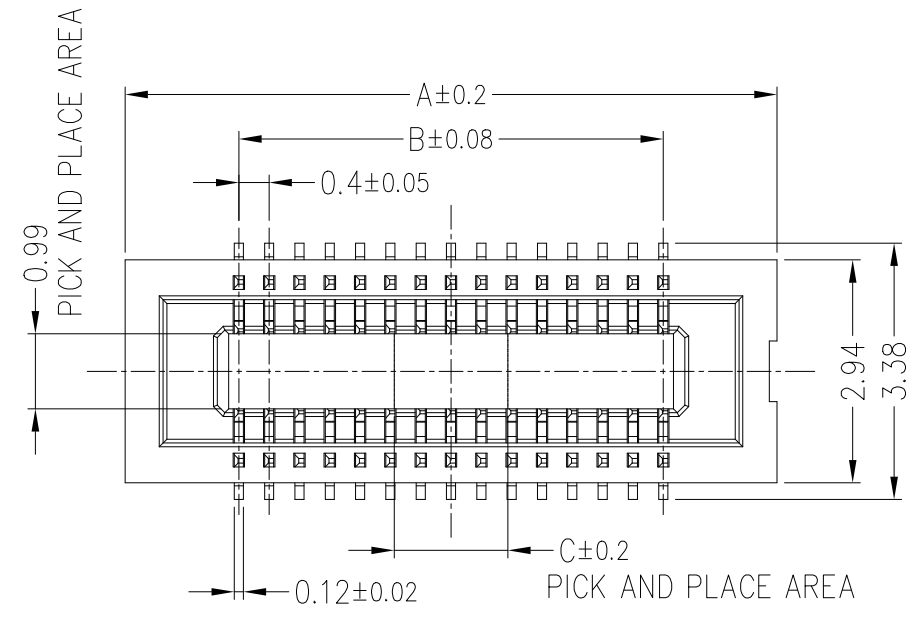
mat'l. code		surface	tolerance	projection	product family
		ISO 1302 ✓	ISO 406 ISO 1101	mm	BTB0.4MM Self-Alignment
Itr		ecn no	dr	date	title
A		/	Bob	2018-08-05	RECEP ASSY
B		ELX-N-35266	Bob	2019-10-17	BTB0.4MM Self-Alignment
C		ELX-N-36170	BOB	2020-03-03	
		dr	S.WATANABE	2018-08-06	dwg no
		enr	Bob Gu	2020-03-03	sheet 1 of 2
		chr	LQ Lei	2020-03-03	size
		appd	Tim Yao	2020-03-03	A3
sheet index		revision	A	B	C
		sheet	1~2	1~2	1~2



PRODUCT NO.	STACK HEIGHT
10142890-xxxA3HLF	3.5mm

PT. NO.	PARTS NAME	MATERIAL	Q'TY	NOTE
1	HOUSING	LCP	1	COLOR BLACK / UL94V-0
2	CONTACT	PHOSPHOR BRONZE	n	PLATING CONTACT AREA Au 0.05um MIN. SOLDER AREA Au 0.05~0.15um ALL OVER Ni UNDER 3±2um n : NUMBER OF CONTACTS

PRODUCT NO.	No OF CONTACTS	A	B	C
10142890-030A3HLF	30	8.6	5.6	1.5



- Note
- CO-PLANARITY FOR CONTACT TERMINALS MUST BE 0.1mm MAX.
  - THIS PRODUCT MEETS EUROPEAN UNION DIRECTIVES AND OTHER COUNTRY REGULATIONS AS DESCRIBED IN GS-47-0004.
  - THE HOUSING WILL WITHSTAND EXPOSURE TO 260°C PEAK TEMPERATURE FOR 10SECONDS IN A REFLOW SOLDERING OVEN.
  - RECOMMENDED STENCIL THICKNESS IS 120um.
  - RECOMMENDED STENCIL OPENING RATIO IS 80%.
  - PRODUCT SPEC : GS-12-1404.
  - THE DOCUMENT MAY BE CHANGED WITHOUT PRIOR NOTICE.

mat'l. code		surface ISO 1302 ✓		tolerance ISO 406 ISO 1101		projection 1101		product family BTB0.4MM Self-Alignment	
ltr		ecn no		dr		date		title	
c								RECEP ASSY	
								BTB0.4MM Self-Alignment	
								dwg no 10142890	
								sheet 2 of 2	
								size A3	
								type Product Customer Drawing	
sheet index		revision sheet		c		1~2			