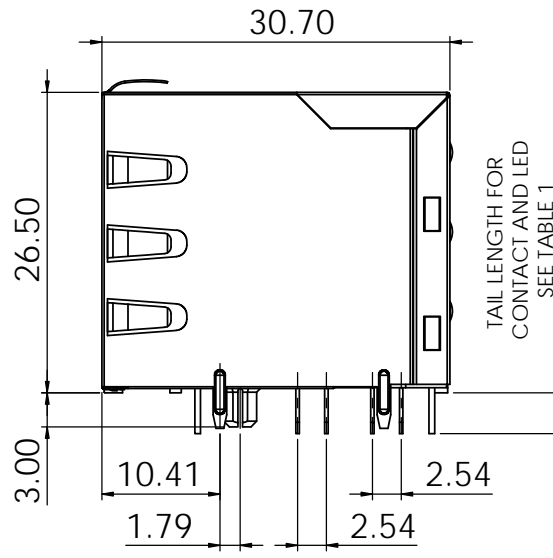
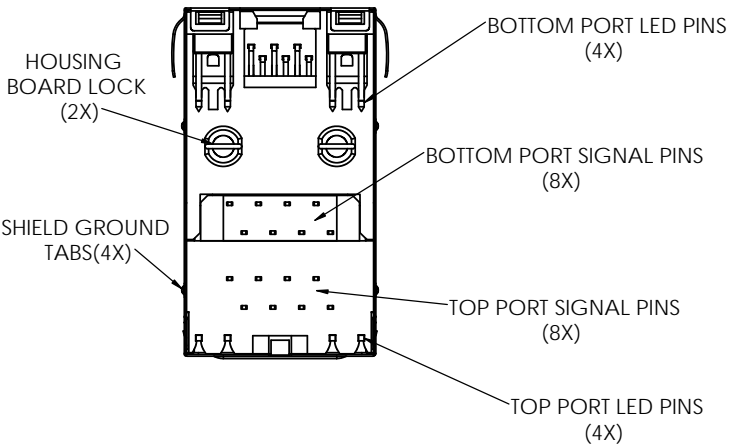


FRONT VIEW

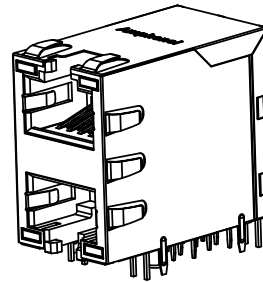


SIDE VIEW



BACK VIEW

NO LED PINS FOR PN# RJE1R-288-XX5X0X



ISOMETRIC VIEW

REVISIONS			
REV	DESCRIPTION, ECN, EAR NO.	DATE	APP'D
A	PROPOSAL DRAWING	JUN.21,2018	A.G
B	CORRECT BOTTOM LED DIM. IN PCB LAYOUT	JUL.1,2019	A.G
C	FIX THE RECOMMENDED PCB	JUL.10,2019	A.G

NOTES:

MATERIALS:

- CONTACTS: PHOSPHOR BRONZE, SELECTIVE GOLD PLATING FOR MATING AREAS(TABLE 1), 50u" MIN. NICKEL OVERALL. 50u" MIN. MATTE TIN ON TAILS.
- HOUSING: HIGH TEMPERATURE ENGINEERING THERMOPLASTIC. COLOR: BLACK, FLAMMABILITY RATING UL 94V-0.
- SHIELD: STAINLESS STEEL, TIN FINISH PCB SHIELD TABS.
- PCB: FR-4.
- LED: HIGH TEMPERATURE REFLOW.

ELECTRICAL:

- VOLTAGE RATING: 125 VAC.
- CURRENT RATING: 1.25 AMP.
- INSULATING RESISTANCE: 500 MEGOHMS MINIMUM.
- DIELECTRIC STRENGTH: 1000 VAC 60Hz, 1 MINIMUM.

ENVIRONMENTAL:

- STORAGE: -40° TO +85°.
- OPERATION: -40° TO +85°.
- MATES WITH MODULAR PLUG CONFORMING TO TIA 1096.
- RECOMMENDED SOLDER PROCESS: IR REFLOW, PEAK SOLDERING TEMPERATURE 255°C TO 265°C (5-8 SECONDS)

LED SPECIFICATIONS:

- FORWARD VOLTAGE: 2.1 VOLTS TYP.
- REVERSE VOLTAGE: 5.0 VOLTS MIN.
- LUMINOUS INTENSITY: 0.5 mCd MIN. (IF=20mA)
- WAVELENGTH(λ): YELLOW-585nm, GREEN-570nm.
- PLATING ON TAILS: TIN OR TIN/COPPER ALLOY OVER SILVER

AMPHENOL PART NUMBER: RJE1R288XX5XXX, DETAILS AS PAGE 4.

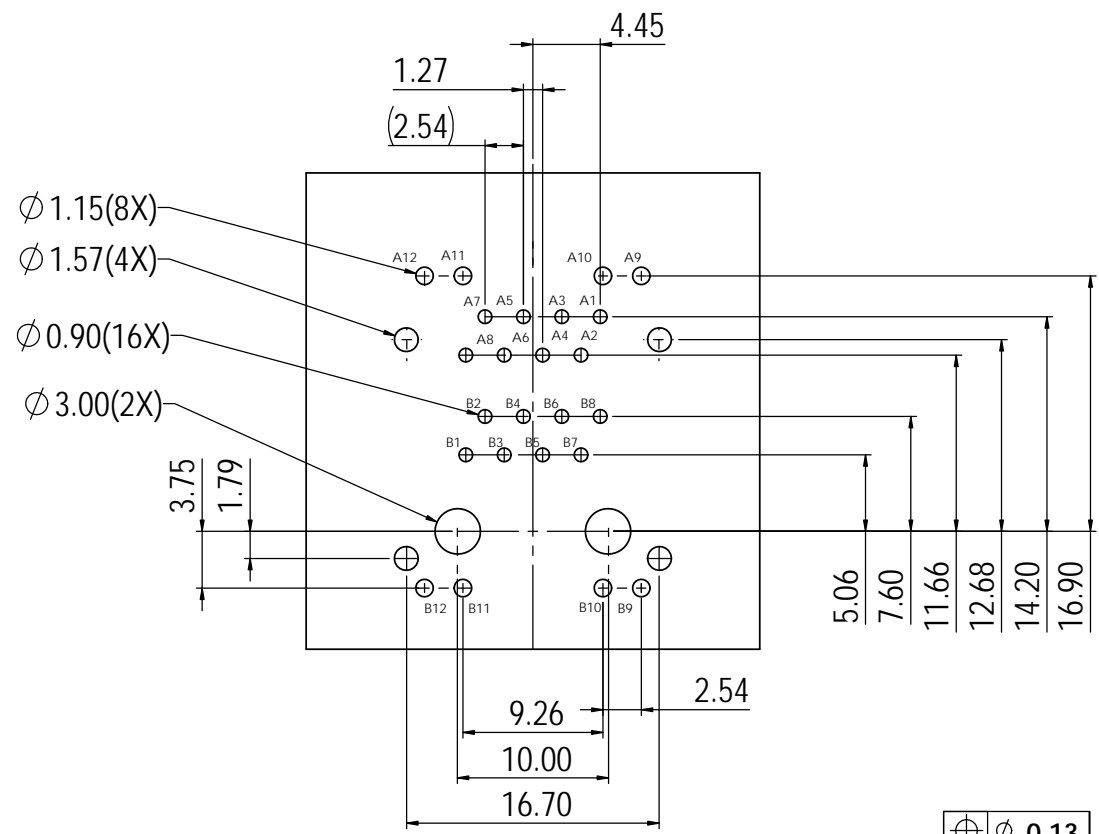


UNLESS SPECIFIED OTHERWISE	DRAWN	KELVIN T	JUN.21,18
PRIMARY UNITS	CHECKED	LAWRENCE C	JUN.21,18
REFERENCE IN PARENTHESES	M.E. APP'D		
GENERAL TOLERANCES	Q.A. APP'D		
1 DECIMAL PLACE	DWG. APPR.	A.GREEN	JUN.21,18
2 DECIMAL PLACES	ENG. REL. NO.		
3 DECIMAL PLACES	REF.		
ANGULAR DEGREES	THIRD ANGLE PROJECTION		
	DO NOT SCALE DRAWING		

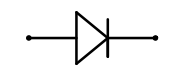
Amphenol Canada Corp.			
Commercial Products			
STACKABLE MODULAR JACK, 2X1 PORTS, RJE1R SERIES THROUGH HOLE, SHIELDED WITH FULL TABS, 8P8C-RoHS COMPLIANT			
DWG. NO.	P-RJE1R-288-XX5XXX		REV C
CODE ID NO.	03554	DWG SIZE: C	SCALE: 2:1 SHEET 1 OF 4

REVISIONS			
REV	DESCRIPTION, ECN, EAR NO.	DATE	APP'D

**RECOMMENDED PCB WITH 8 CONTACTS
SCALE 4:1**

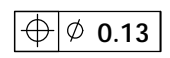


LED SCHEMATIC



- A12(+) A11(-)
- A10(+) A9(-)
- B12(+) B11(-)
- B10(+) B9(-)

PN# RJE1R-288-XX5X0X IS FOR NO LED AND THE CORRESPONDING PINS A9/A10/A11/A12, B9/B10/B11/B12 WOULD NOT EXIST IN RECOMMENDED PCB LAYOUT.



HOLES POSITION ARE BASIC

**RECOMMENDED PCB LAYOUT TOLERANCE:
+/-0.05MM**
**RECOMMENDED CUSTOMER PCB THICKNESS:
3.30MM**



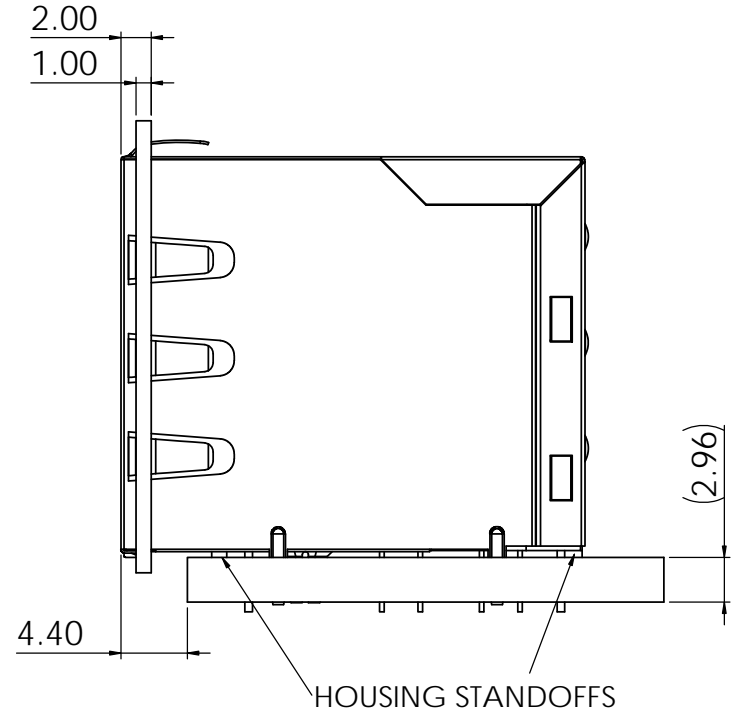
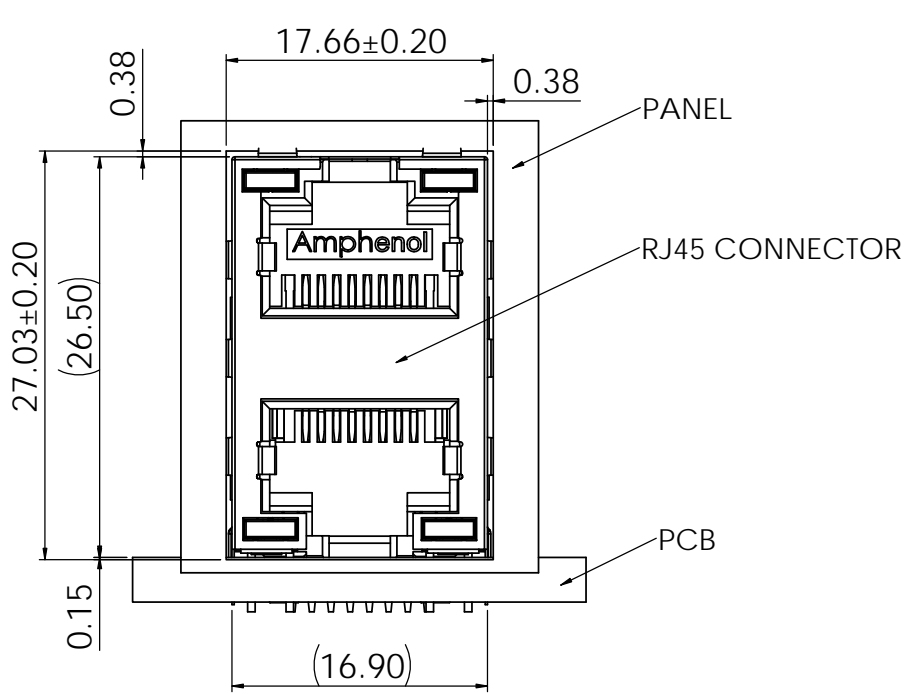
UNLESS SPECIFIED OTHERWISE	DRAWN	KELVIN T	JUN.21,18
PRIMARY UNITS	CHECKED	LAWRENCE C	JUN.21,18
REFERENCE IN PARENTHESES	M.E. APP'D		
GENERAL TOLERANCES	Q.A. APP'D		
1 DECIMAL PLACE	DWG. APPR.	A.GREEN	JUN.21,18
2 DECIMAL PLACES	ENG. REL. NO.		
3 DECIMAL PLACES	REF.		
ANGULAR DEGREES	THIRD ANGLE PROJECTION		DO NOT SCALE DRAWING

Amphenol Canada Corp.			
Commercial Products			
STACKABLE MODULAR JACK, 2X1 PORTS, RJE1R SERIES THROUGH HOLE, SHIELDED WITH FULL TABS, 8P8C-RoHS COMPLIANT			
DWG. NO.	P-RJE1R-288-XX5XXX		REV C
CODE ID NO.	03554	DWG SIZE: C	SCALE: 2:1 SHEET 2 OF 4

REVISIONS			
REV	DESCRIPTION, ECN, EAR NO.	DATE	APP'D

RECOMMENDED PCB AND PANEL LAYOUT

SCALE 4:1



THIS DOCUMENT CONTAINS PROPRIETARY INFORMATION AND SUCH INFORMATION MAY NOT BE DISCLOSED TO OTHERS FOR ANY PURPOSE OR USED FOR MANUFACTURING PURPOSES WITHOUT WRITTEN PERMISSION FROM AMPHENOL CANADA CORP.

UNLESS SPECIFIED OTHERWISE	DRAWN	KELVIN T	JUN.21,18
PRIMARY UNITS	CHECKED	LAWRENCE C	JUN.21,18
REFERENCE IN PARENTHESES	M.E. APP'D		
GENERAL TOLERANCES	Q.A. APP'D		
1 DECIMAL PLACE	DWG. APPR.	A.GREEN	JUN.21,18
2 DECIMAL PLACES	ENG. REL. NO.		
3 DECIMAL PLACES	REF.		
ANGULAR DEGREES	THIRD ANGLE PROJECTION		
	DO NOT SCALE DRAWING		

Amphenol Canada Corp.			
Commercial Products			
STACKABLE MODULAR JACK, 2X1 PORTS, RJE1R SERIES, THROUGH HOLE, SHIELDED WITH FULL TABS 8P8C-RoHS COMPLIANT			
DWG. NO.	P-RJE1R-288-XX5XXX		REV C
CODE ID NO.	03554	DWG SIZE: C	SCALE: 2:1 SHEET 3 OF 4

TABLE 1: AMPHENOL PART NUMBER DESCRIPTION:

REVISIONS			
REV	DESCRIPTION, E.C.N., E.A.R. NO.	DATE	APP'D

R J E 1 R 2 8 8 X X 5 X X X

TOP PORT CONTACT QTY. OPTION: _____
8 - 8 PINS

BOTTOM PORT CONTACT QTY. OPTION: _____
8 - 8 PINS

TOP PORT CATEGORY OPTION.: _____
1 - CAT5 COMPATIBLE
2 - CAT5e
3 - CAT6

BOTTOM PORT CATEGORY OPTION.: _____
1 - CAT5 COMPATIBLE
2 - CAT5e
3 - CAT6

CONTACT TAIL LENGTH OPTION:
1 : 3.60 MM
2 : 3.20 MM
3 : 2.80 MM

LED OPTION:
SEE THE TABLE 2 BELOW FOR LED DESIGNATION

CONTACT GOLD PLATING THICKNESS OPTION:
1 - GOLD FLASH.;
2 - 15u" MIN.;
3 - 30u" MIN.;
4 - 50u" MIN.;

SHIELD OPTION:
5 - SHIELDED WITH FULL TABS;



TABLE 2: LED DESIGNATION:

CODE	LED 2 (LEFT)	LED 1(RIGHT)	CODE	LED 2 (LEFT)	LED 1(RIGHT)	CODE	LED 2 (LEFT)	LED 1(RIGHT)
0	BLOCKED	BLOCKED	9	GREEN	BLOCKED	J	BIC RD/GR	YELLOW
1	YELLOW	GREEN	A	BIC GR/YE	BIC GR/YE	K	YELLOW	BIC GR/OR
2	BLOCKED	GREEN	B	BIC RD/GR	BIC RD/GR	L	BIC GR/YE	RED
3	YELLOW	BLOCKED	C	BIC RD/GR	BIC GR/YE	M	RED	YELLOW
4	GREEN	YELLOW	D	GREEN	BIC GR/YE	N	BIC GR/RD	BIS GR/YE
5	GREEN	GREEN	E	YELLOW	BIC GR/YE	P	GREEN	BIC RD/GR
6	YELLOW	YELLOW	F	BIC GR/YE	YELLOW	R	BIC GR/OR	GREEN
7	RED	GREEN	G	BIC GR/OR	BIC GR/OR	T	RED	RED
8	GREEN	RED	H	BIC GR/YE	GREEN	V	BIC RD/GR	GREEN

UNLESS SPECIFIED OTHERWISE	DRAWN	KELVIN T	JUN.21,18
PRIMARY UNITS	MILLIMETERS	CHECKED	LAWRENCE C
REFERENCE IN PARENTHESES	M.E. APP'D	Q.A. APP'D	
GENERAL TOLERANCES	DWG. APPR.	A.GREEN	JUN.21,18
1 DECIMAL PLACE ±0.38	ENG. REL. NO.		
2 DECIMAL PLACES ±0.25	REF.		
3 DECIMAL PLACES	THIRD ANGLE PROJECTION		
ANGULAR DEGREES	DO NOT SCALE DRAWING		

Amphenol Canada Corp.
Commercial Products

STACKABLE MODULAR JACK, 2X1 PORTS,
RJE1R SERIES, THROUGH HOLE,
SHIELDED WITH FULL TABS,
8P8C-RoHS COMPLIANT

DWG. NO. **P-RJE1R-288-XX5XXX** REV **C**

CODE ID. NO. **03554** DWG. SIZE: **C** SCALE: **2:1** SHEET **4** OF **4**