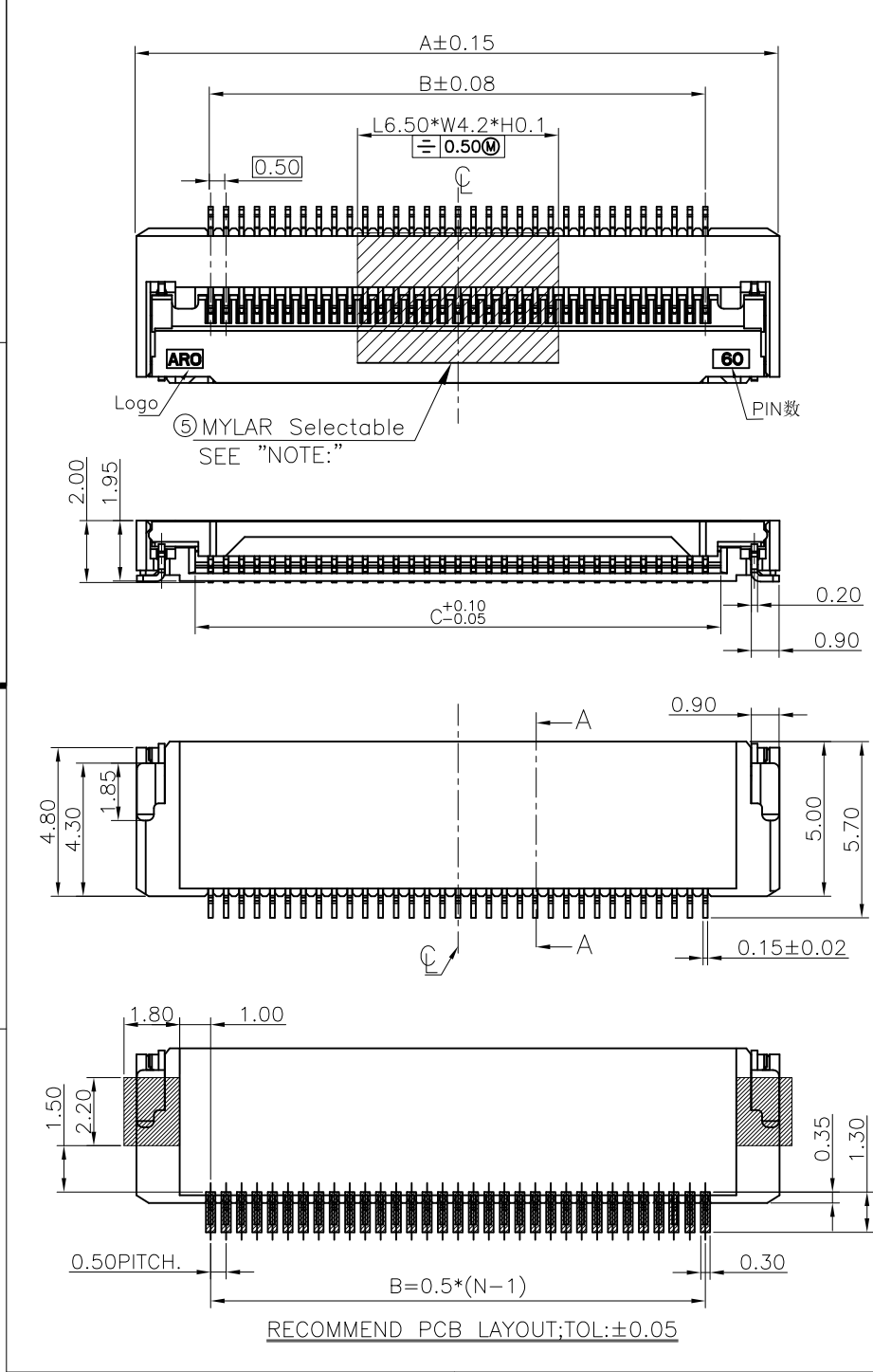
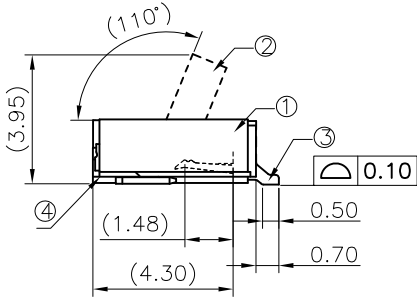


This document is the property of and embodies CONFIDENTIAL and PROPRIETARY information of AMOR. No part of the information shown on this document may be used in any way or disclosed to others without the written consent of AMOR. © 2019 AMOR



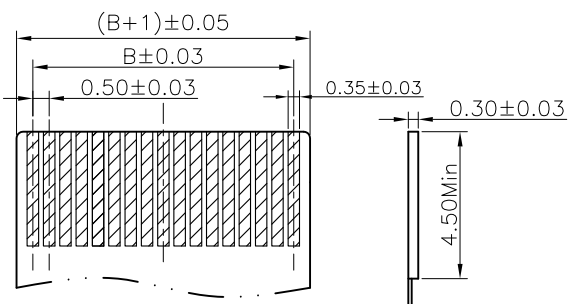
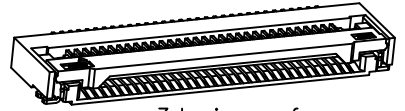
REV.	ECR/ECN No.	DESCRIPTION	DRAWN/DATE	CHECKED/DATE	APPROVED/DATE
A	/	NEW RELEASE	May 2017-07-04	Rain 2017-07-04	Leo 2017-07-04
B	/	Update the drawing frame	May 2019-11-28	Rain 2019-11-28	Leo 2019-11-28

NO.	COMPONENTS	MATERIALS	FINISH/COLOR	SPECIFICATION	QTY
1	HOUSING	LCP,UL94V-0	Natural or Black		1
2	ACTUATOR	PA9T,UL94V-0	Black		1
3	TERMINAL	PHOSPHOR BRONZE T=0.15mm	UNDER PLATING:1~3 $\mu$ m Ni SURFACE PLATING:0.05 $\mu$ m Min. Au		N
4	STATOR	BRASS,C2680-H T=0.20mm	UNDER PLATING:1~3 $\mu$ m Ni SURFACE PLATING:2~5 $\mu$ m Sn		2
5	MYLAR	T=0.10mm THERMOSTABLE	yellow		1



NOTE:  
 1.ALL MATERIAL MUST BE COMPLY WITH GGP-001/OR/RoHS.  
 2.PART NO. LEGEND:  
 F305-1\*7H1-110\*\*-E\*00  
 1: WITH MYLAR  
 2: WITHOUT MYLAR  
 NO. OF POSITIONS

1A:Natural  
 1B:Black



APPLICABLE FPC/FFC

DIMENSION LIST:

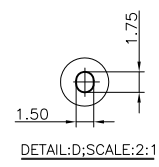
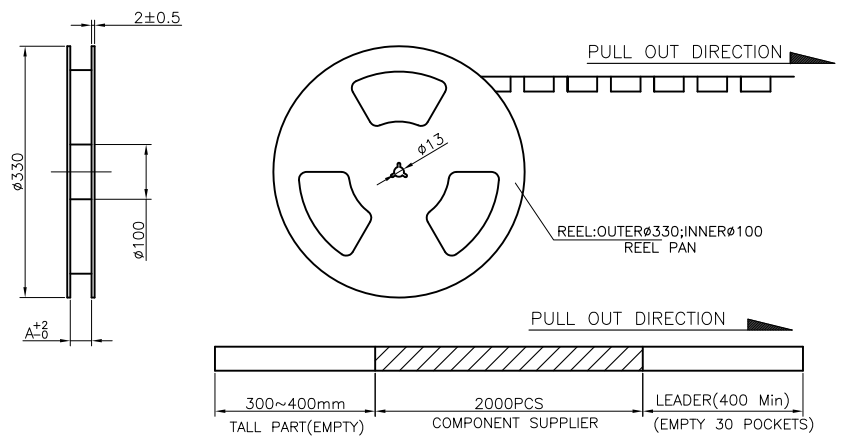
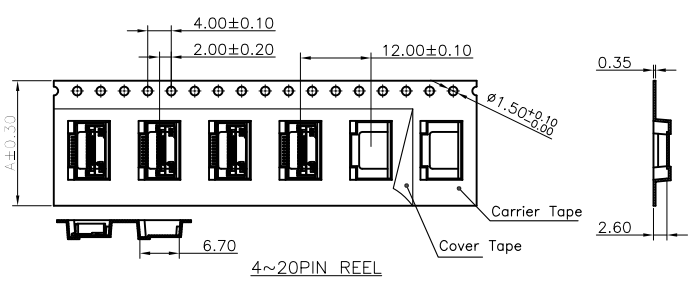
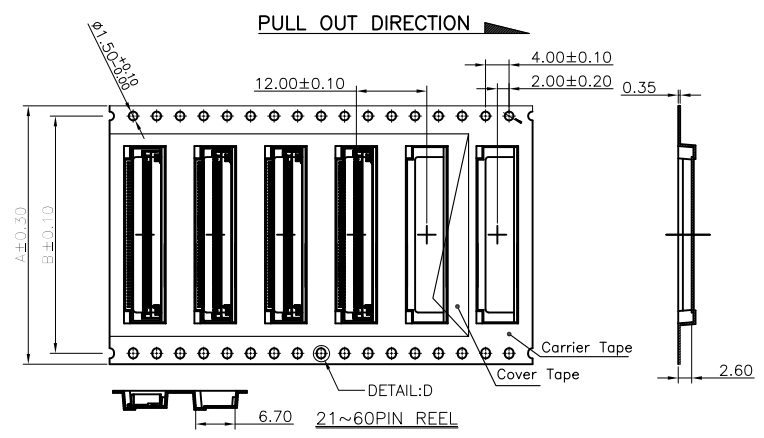
PIN No.of	A	B	C	E
10	9.30	4.50	5.50	7.25
20	14.30	9.50	10.50	12.25
30	19.30	14.50	15.50	17.25
36	22.30	17.50	18.50	20.25
40	24.30	19.50	20.50	22.25
45	26.80	22.00	23.00	24.75
50	29.30	24.50	25.50	27.25
60	34.30	29.50	30.50	32.25

UNLESS OTHERWISE SPECIFIED TOLERANCES				ANGLE OF PROJECTION		Amphenol AORORA			
X.	$\pm 0.30$	X. '	$\pm 5'$			Amphenol Aorora Technology (Huizhou) Co.,Ltd			
X.X	$\pm 0.25$	X.X '	$\pm 4'$			TITLE:			
X.XX	$\pm 0.20$	X.XX '	$\pm 3'$	DOC TYP	Customer Drw	FFC/FPC P0.50 H2.0 front side filp_"L" type fixed plate			
X.XXX	$\pm 0.15$	X.XXX '	$\pm 2'$	DRAWN	May 2019-11-28	SIZE	PART NUMBER:	REV.	
LINEAR DIMS	ANGLES DIMS			DATE	May 2019-11-28	A4	F305-1*7H1-110**-E*00	B	
DWG NO.:	A-S0456			CHECKED	Rain 2019-11-28	SCALE	5:1	UNIT : mm	SHEET 1 OF 2
MATERIAL	SEE NOTES			APPROVED	Leo 2019-11-28				
FINISHED	SEE NOTES								

This document is the property of and embodies CONFIDENTIAL and PROPRIETARY information of AMOR. No part of the information shown on this document may be used in any way or disclosed to others without the written consent of AMOR. © 2019 AMOR

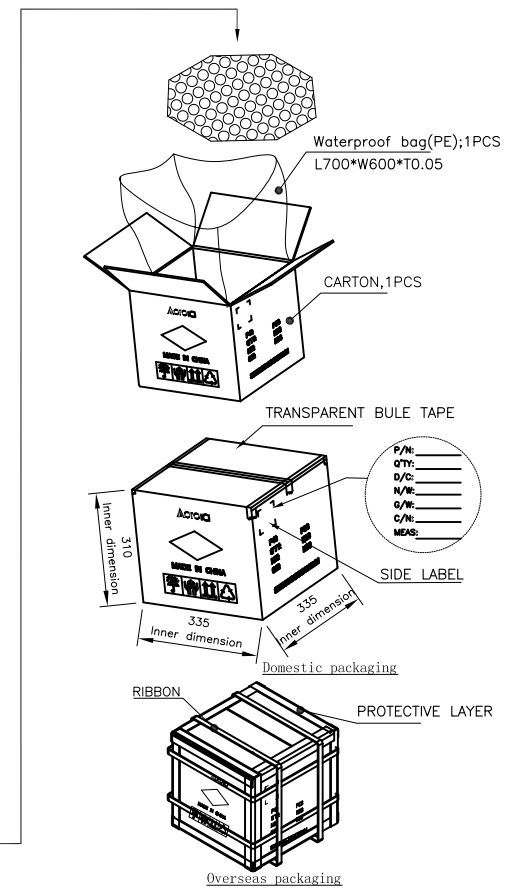
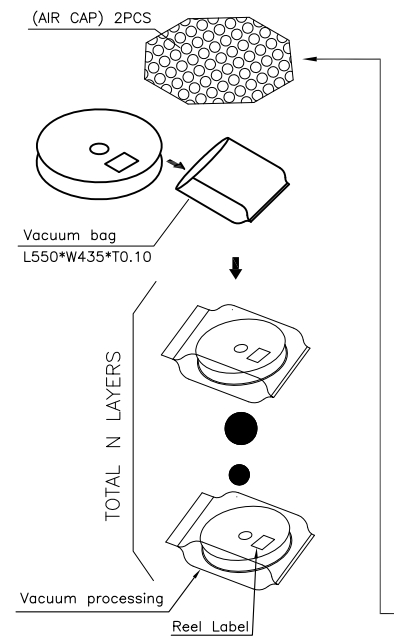


**1. PACKING INTO REEL:**



- NOTES:**
- MATERIAL:**
    - 1.1 CARRY TAPE:HIPS,T=0.35±0.05mm,CLEAR
    - 1.2 REEL:HIPS,
    - 1.3 SHIM:PE,CLEAR.
  - PRIMARY PACKING:2000PCS/REEL.
  - SECONDARY PACKING:SEE PACKING LIST
  - PEELING RESISTANCE: 0.1~0.7N(10~70gf); PEELING ANGLE: 165°~180°; PEELING SPEED: 300mm/minutes.

**2:PACKING INTO OUTER BOX**



**5. QTY. LIST:**

NO. OF POS.	A	B	PCS/Reel	N Reel/Carton (TOL: PCS)
10~20 PIN	24.0	20.4	2000	11Reel(22000PCS)
21~34 PIN	32.0	28.4	2000	8Reel(16000PCS)
35~54 PIN	44.0	40.4	2000	6Reel(12000PCS)
55~60 PIN	56.0	52.4	2000	5Reel(10000PCS)

UNLESS OTHERWISE SPECIFIED TOLERANCES			ANGLE OF PROJECTION		Amphenol AORORA	
X.	±0.30	X. *	± 5'		Amphenol Aorora Technology (Huizhou) Co.,Ltd	
X.X	±0.25	X.X *	± 4'		TITLE:	
X.XX	±0.20	X.XX *	± 3'	DOC TYPE	Customer Drw	
X.XXX	±0.15	X.XXX *	± 2'	DRAWN DATE	May 2019-11-28	
LINEAR DIMS			ANGLES DIMS		DESIGN DATE	May 2019-11-28
DWG NO.: A-S0456					CHECKED DATE	Rain 2019-11-28
MATERIAL SEE NOTES					APPROVED DATE	Hongkui.Liu 2019-11-28
FINISHED SEE NOTES					SIZE	A4
					PART NUMBER:	F305-1*7H1-110**-E*00
					SCALE	1:1
					UNIT	mm
					SHEET	2 OF 2