

PART NUMBER  
10142708-XXXXXXLF

PART NUMBER:

10142708-XX X X X X LF

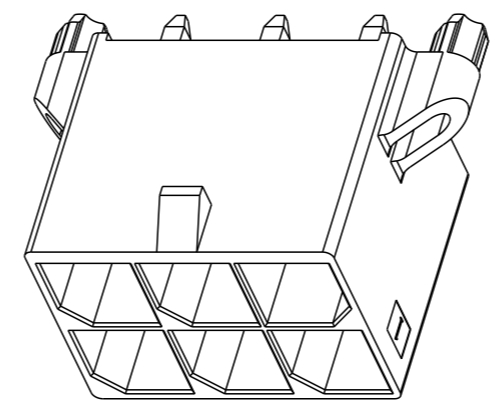
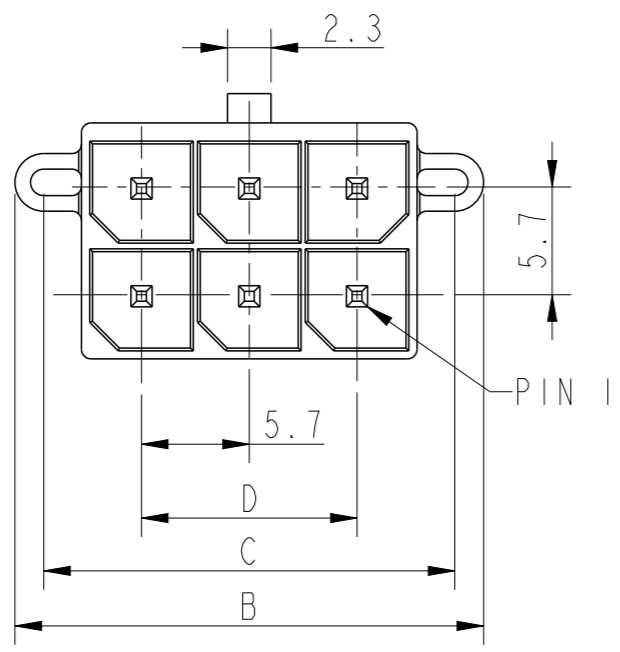
POST TYPE OPTION  
BLANK: TYPE A (SHEET 1)  
1: TYPE B (SHEET 2)

PACKAGE:  
0: TRAY  
1: TAPE&REEL WITHOUT PICK UP CAP

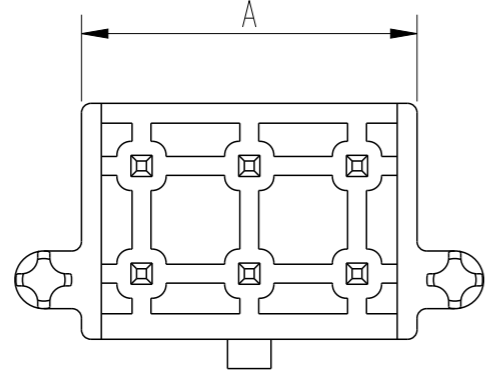
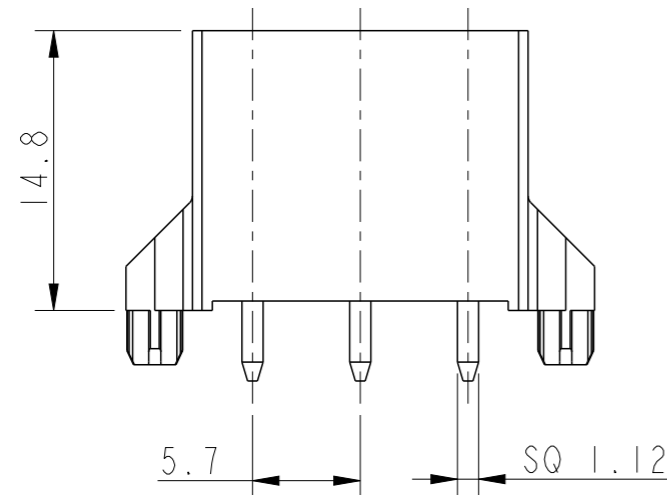
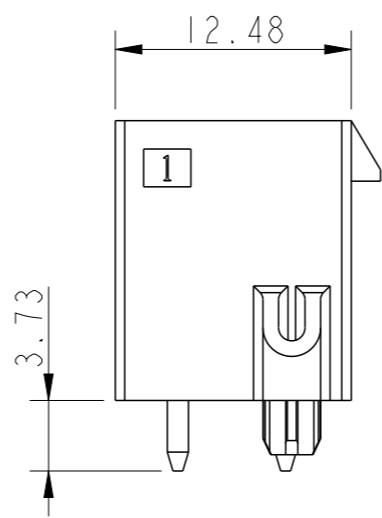
MATERIAL:  
0: LCP

PLATING:  
0: 30u" GOLD PLATING ON CONTACT AREA AND 100u" TIN PLATING ON SOLDER TAIL  
1: 15u" GOLD PLATING ON CONTACT AREA AND 100u" TIN PLATING ON SOLDER TAIL  
2: 100u" TIN PLATING OVER ALL

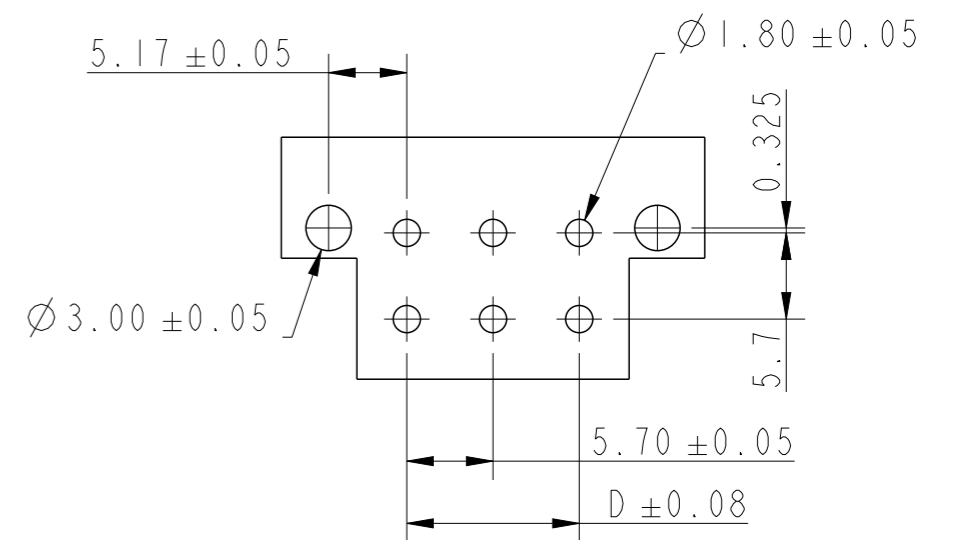
PIN COUNT:  
02~12 PIN



POST TYPE A



PIN	DIM A	DIM B	DIM C	DIM D
02	8.35	15.39	12.34	-
04	12.05	19.10	16.04	5.70
06	17.75	24.80	21.74	11.40
08	23.45	30.50	27.44	17.10
10	29.15	36.20	33.14	22.80
12	34.85	41.90	38.84	28.50

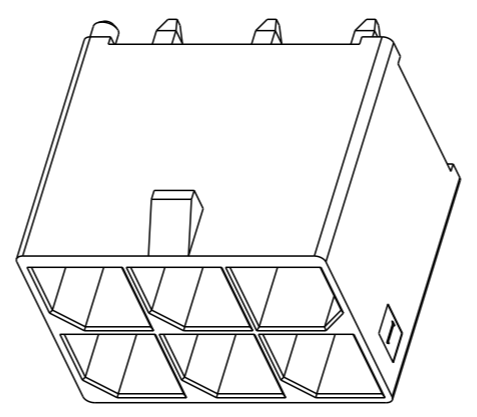
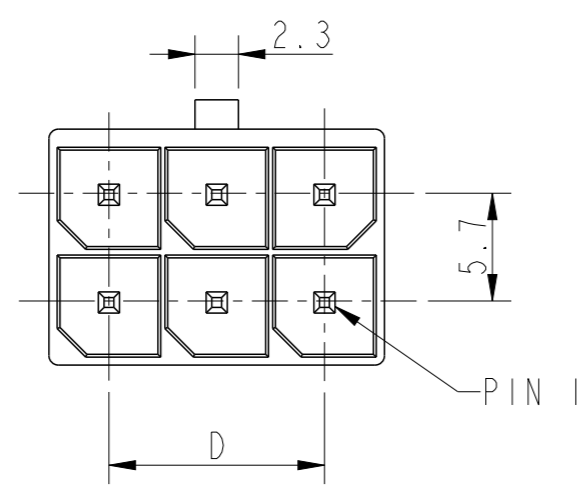


RECOMMENDED PCB LAYOUT  
PCB THK=1.58~2.36mm

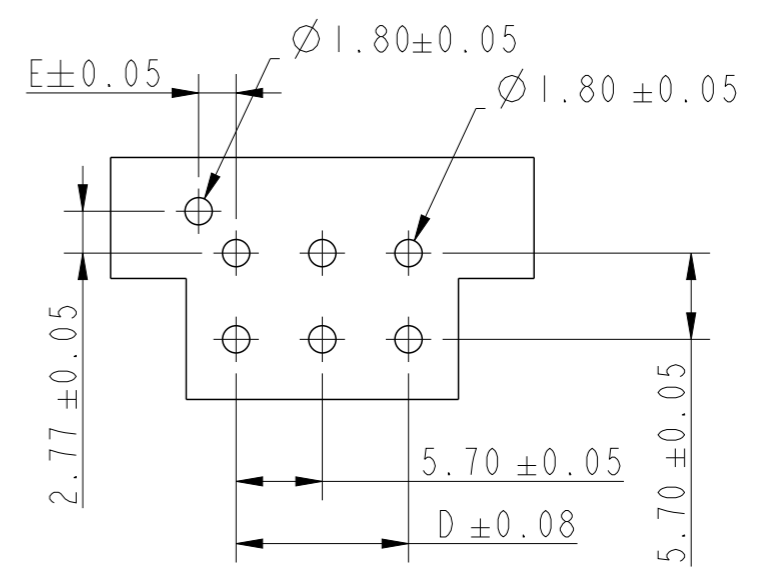
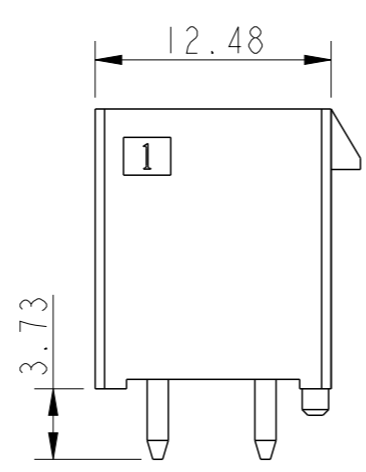
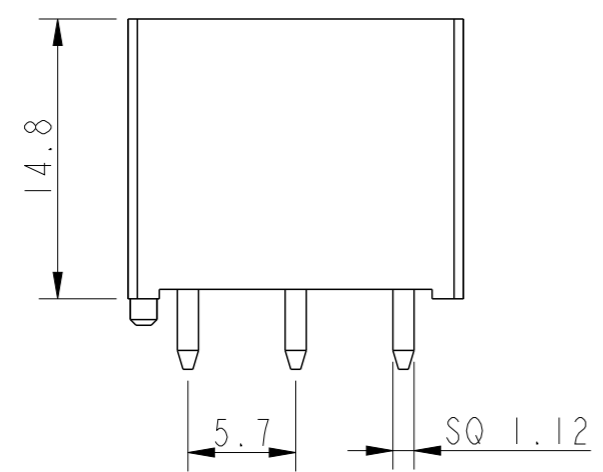
Amphenol  
FCi

© 2016 AFCI

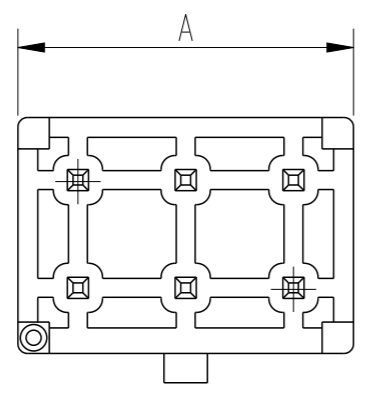
spec ref	dr	2017/11/30	projection	mm	size	A3	scale	5:2
tolerance std	eng	2018/04/18			ecn no	ELX-N-29662-1	rel level	Released
TOLERANCES UNLESS OTHERWISE SPECIFIED		chr						
surface	linear	0.X	Minitek Power 5.7 Header		dwg no	10142708	rev	E
		0.XX	cat. no.					
	angular	0°						



POST TYPE B



RECOMMENDED PCB LAYOUT  
PCB THK=1.58~2.36mm

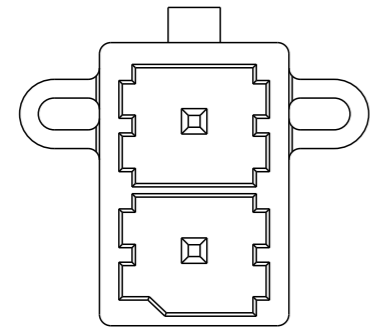


PIN	DIM A	DIM D	DIM E
02	8.35	-	3.48
04	12.05	5.70	2.48
06	17.75	11.40	2.48
08	23.45	17.10	2.48
10	29.15	22.80	2.48
12	34.85	28.50	2.48

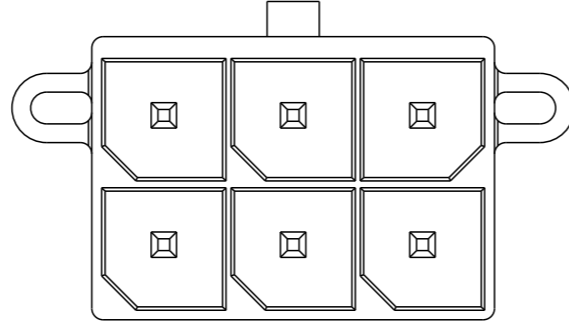
NOTES:

1. HOUSING: LCP UL94V-0, HALOGEN FREE, GLOW WIRE COMPATIBLE, BLACK.
2. RoHS COMPLIANT.
3. MATE WITH HOUSING P/N: 10142707.
4. PRODUCT SPEC: GS-12-1405.
5. PACKAGE SPEC: GS-14-2595.
6. THE HSU CAN WITHSTAND EXPOSURE TO 260°C PEAK TEMP FOR 10 SECONDS IN A REFLOW OVEN.

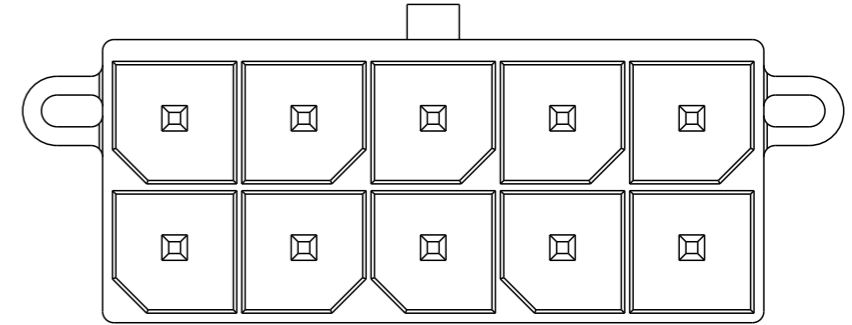
spec ref	dr	2017/11/30	projection	mm	size	A3	scale	5:2
tolerance std	eng	2018/04/18			ecn no	ELX-N-29662-1		
TOLERANCES UNLESS OTHERWISE SPECIFIED		chr			product family	rel level	Released	
surface	linear	0.X	±0.30	<b>Amphenol FCi</b>	title Minitek Power 5.7 Header	dwg no 10142708	rev E	cat. no. Product - Customer Drw
		0.XX	±0.20					
		0.XXX	±0.10					
	angular	0°	±2°					sheet 2 of 3



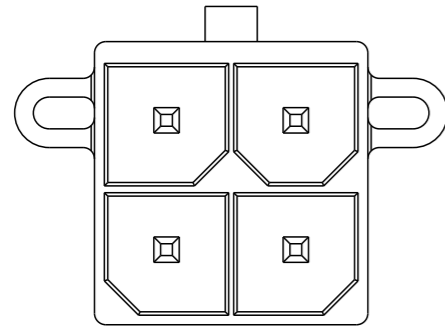
02P



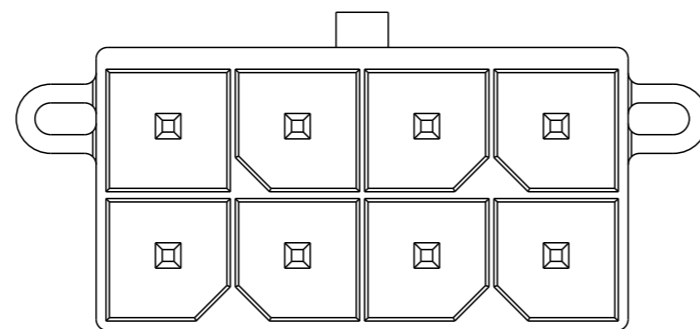
06P



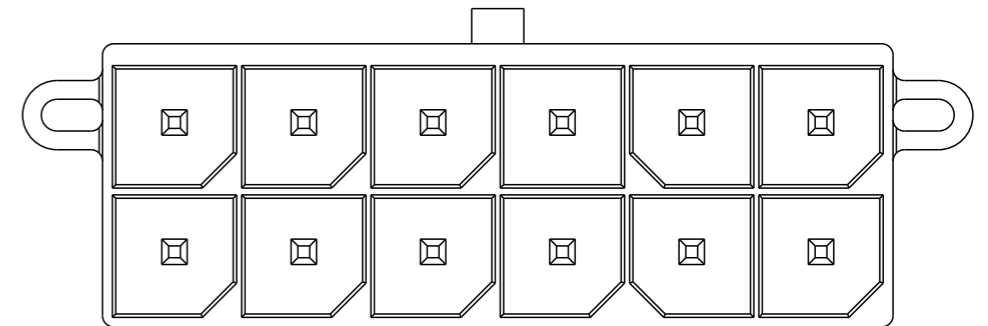
10P



04P



08P



12P

spec ref		dr	Tony Leng	2017/11/30	projection	mm	size	A3	scale	5:2
tolerance std		eng	Tony Leng	2018/04/18					ecn no	ELX-N-29662-1
TOLERANCES UNLESS OTHERWISE SPECIFIED surface <input checked="" type="checkbox"/> linear		chr	-	-	product family	rel level			Released	
		appr	Tim Yao	2018/04/18	title Minitek Power 5.7 Header		dwg no 10142708	rev	E	
		angular		0°	±2°	cat. no.	Product - Customer Drw		sheet 3 of 3	