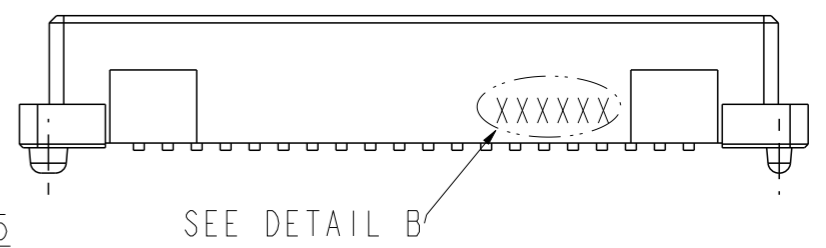
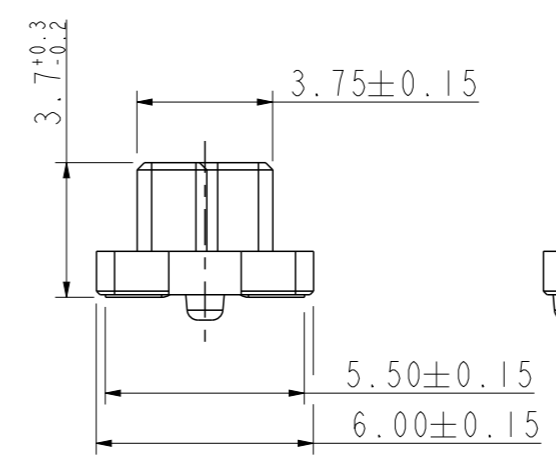
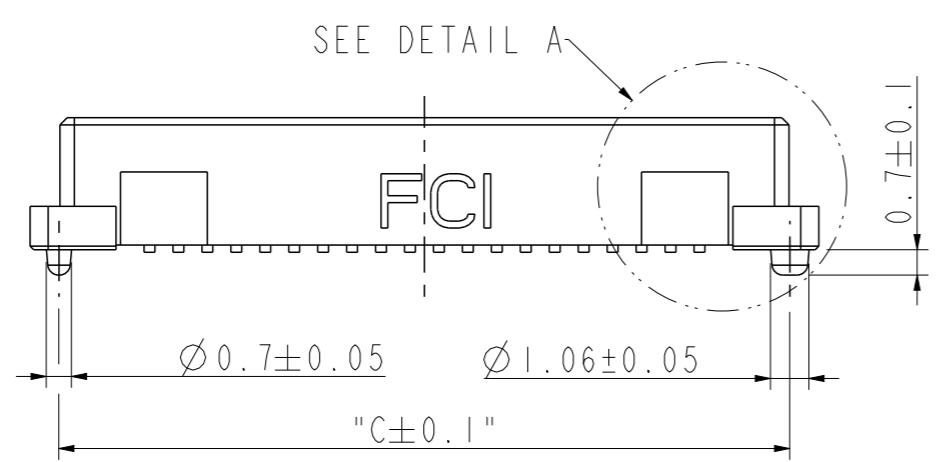
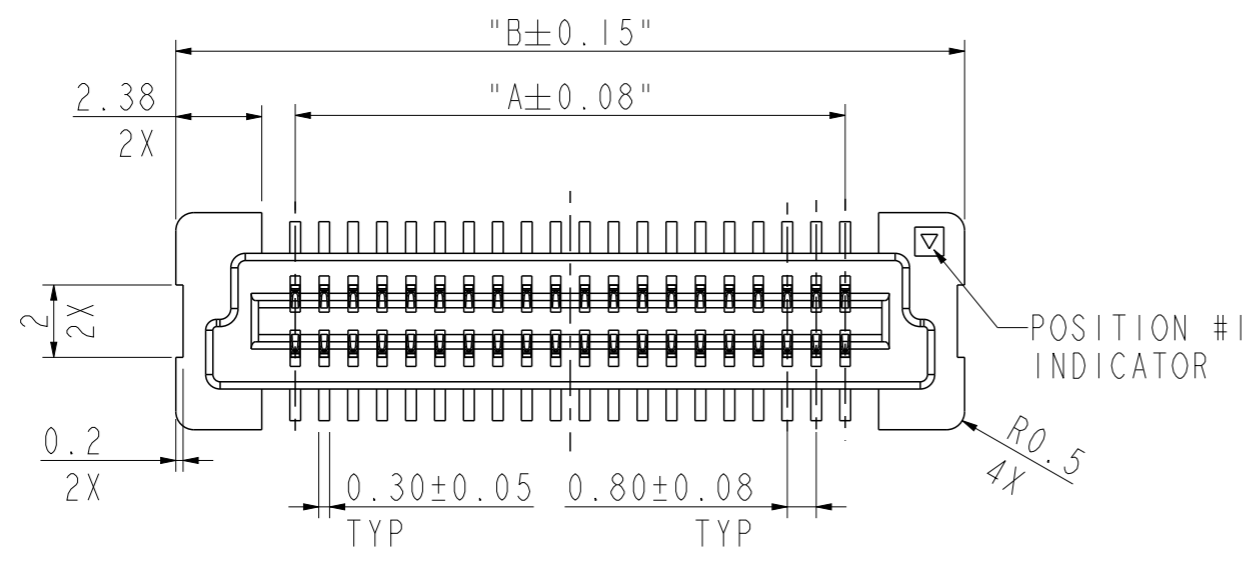
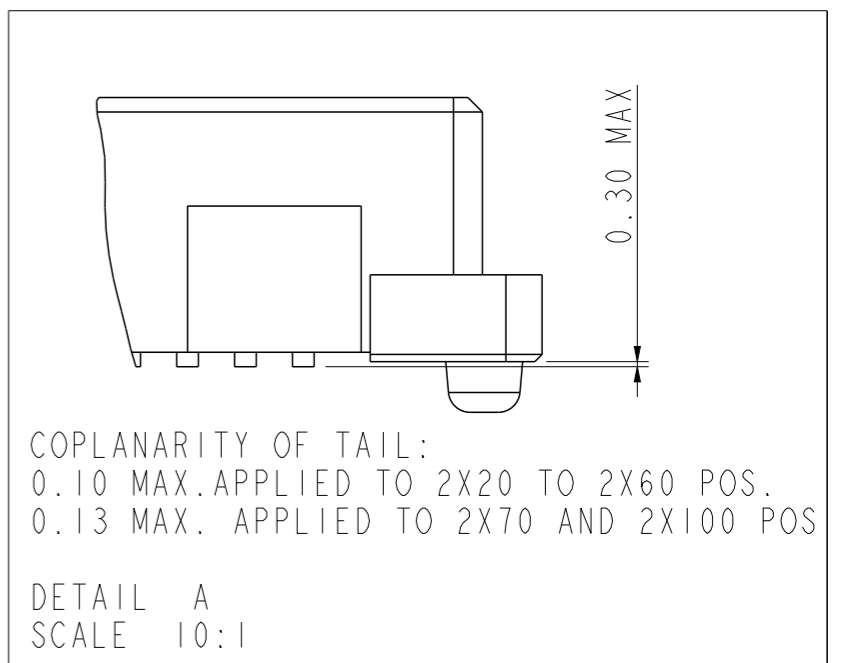


PRODUCT NO.	NUMBER OF POSITIONS	DIMENSION		
		A	B	C
10139781-041*****	2X20	15.2	21.8	20.2
10139781-061*****	2X30	23.2	29.8	28.2
10139781-081*****	2X40	31.2	37.8	36.2
10139781-101*****	2X50	39.2	45.8	44.2
10139781-121*****	2X60	47.2	53.8	52.2
10139781-141*****	2X70	55.2	61.8	60.2
10139781-161*****	2X80	63.2	69.8	68.2
10139781-181*****	2X90	71.2	77.8	76.2
10139781-201*****	2X100	79.2	85.8	84.2

DATE CODE: XXXXXX
 DAY(01~31)
 MONTH(01~12)
 YEAR(00~99)

DETAIL B
 SCALE 5:1



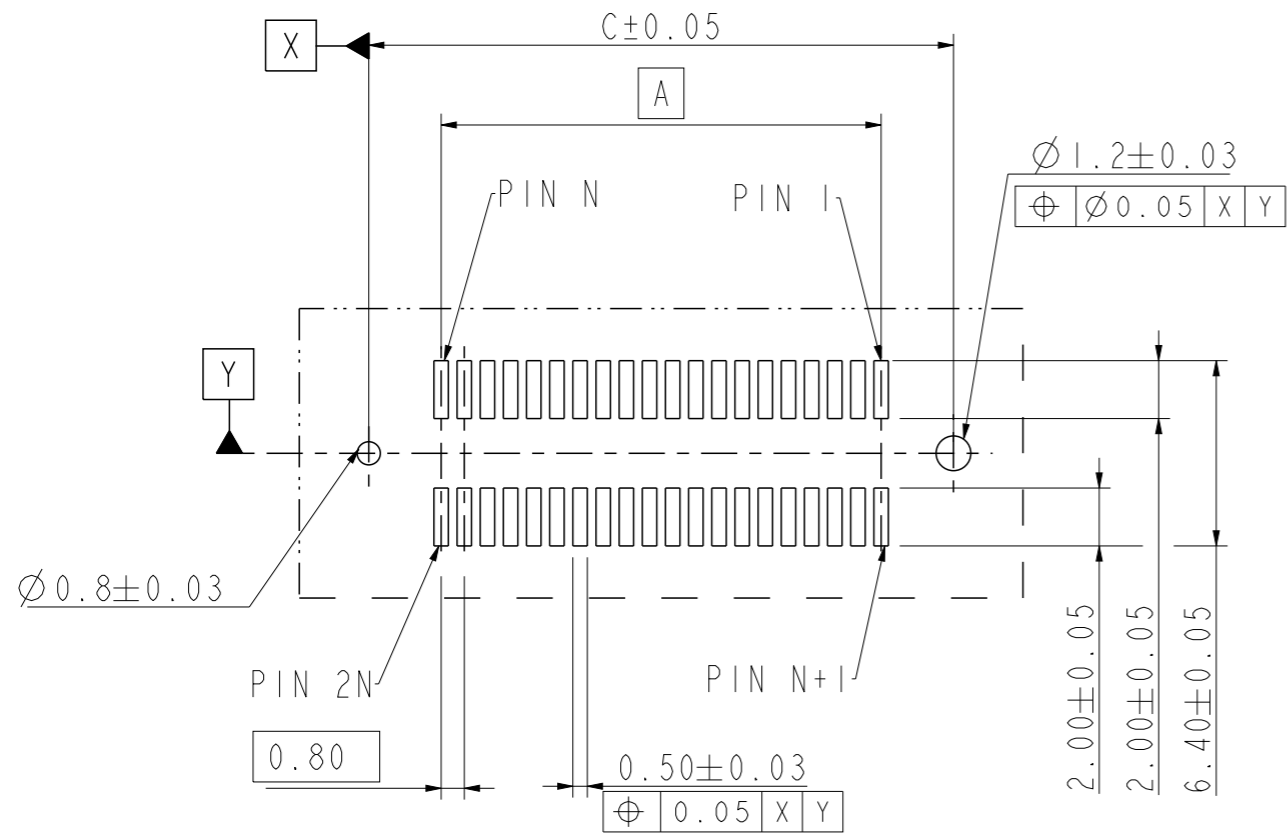
RECEPTACLE 1

spec ref	-	dr	Eric Huang	2016/08/02	projection	mm	size	A3	scale	1:1
tolerance std	ISO 406 ISO 1101	eng	Bob Gu	2020/12/02			ecn no	ELX-N-38183-1	rel level	Released
TOLERANCES UNLESS OTHERWISE SPECIFIED		chr	-	-			product family	-	rel level	Released
surface	linear	0.X	±0.3	Amphenol FCI	BERGSTAK+ 0.8mm		dwg no 10139781	rev J		
		0.XX	±0.15		RECEPTACLE CONN					
		0.XXX	±0.08		cat. no. -					
ISO 1302	angular	0°	±2°	Product - Customer Drw		sheet 2 of 7				

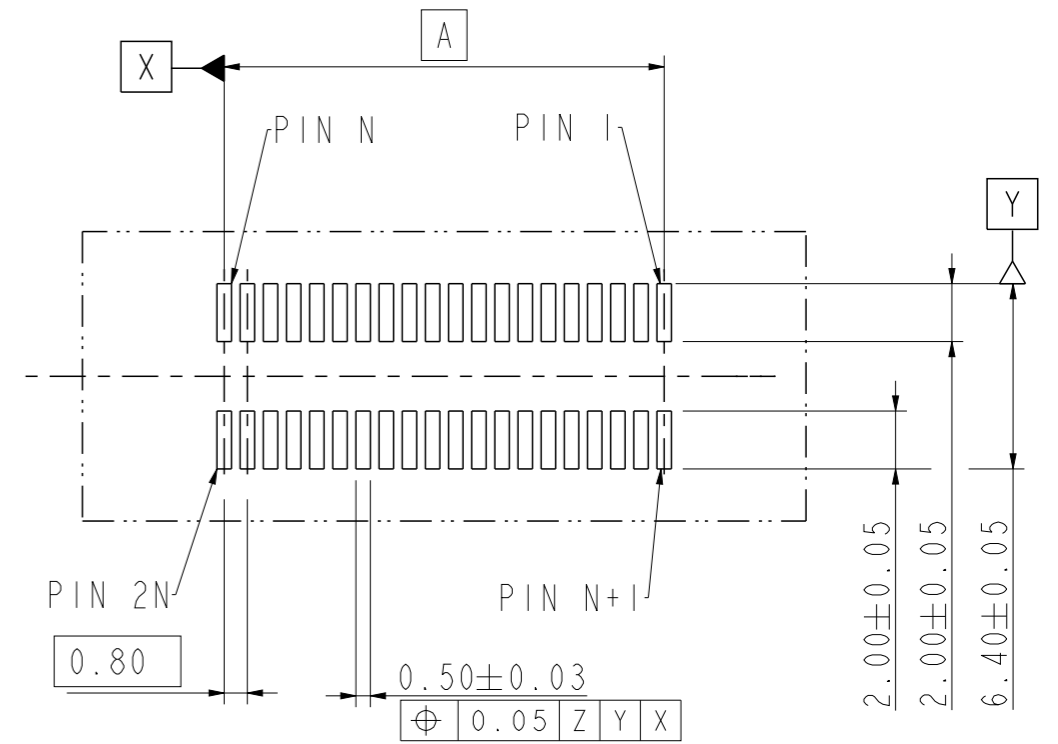
Amphenol FCI

© 2016 AFCI

RECEPTACLE 1



RECOMMENDED PCB LAYOUT WITH PEGS



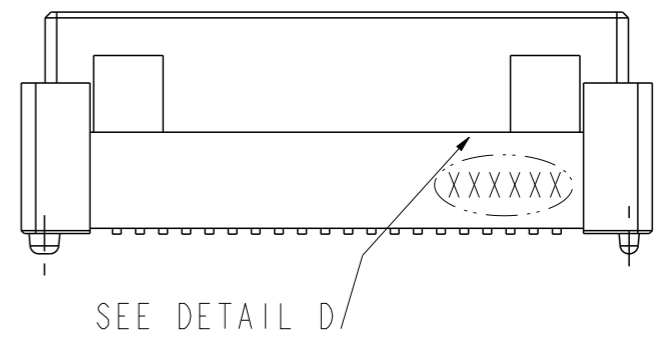
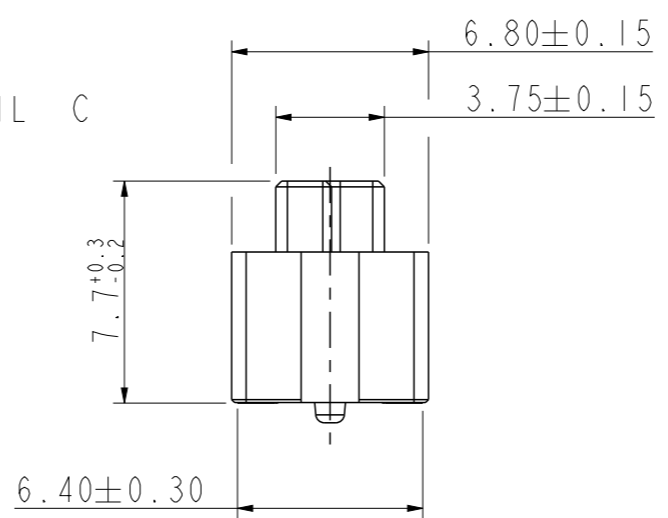
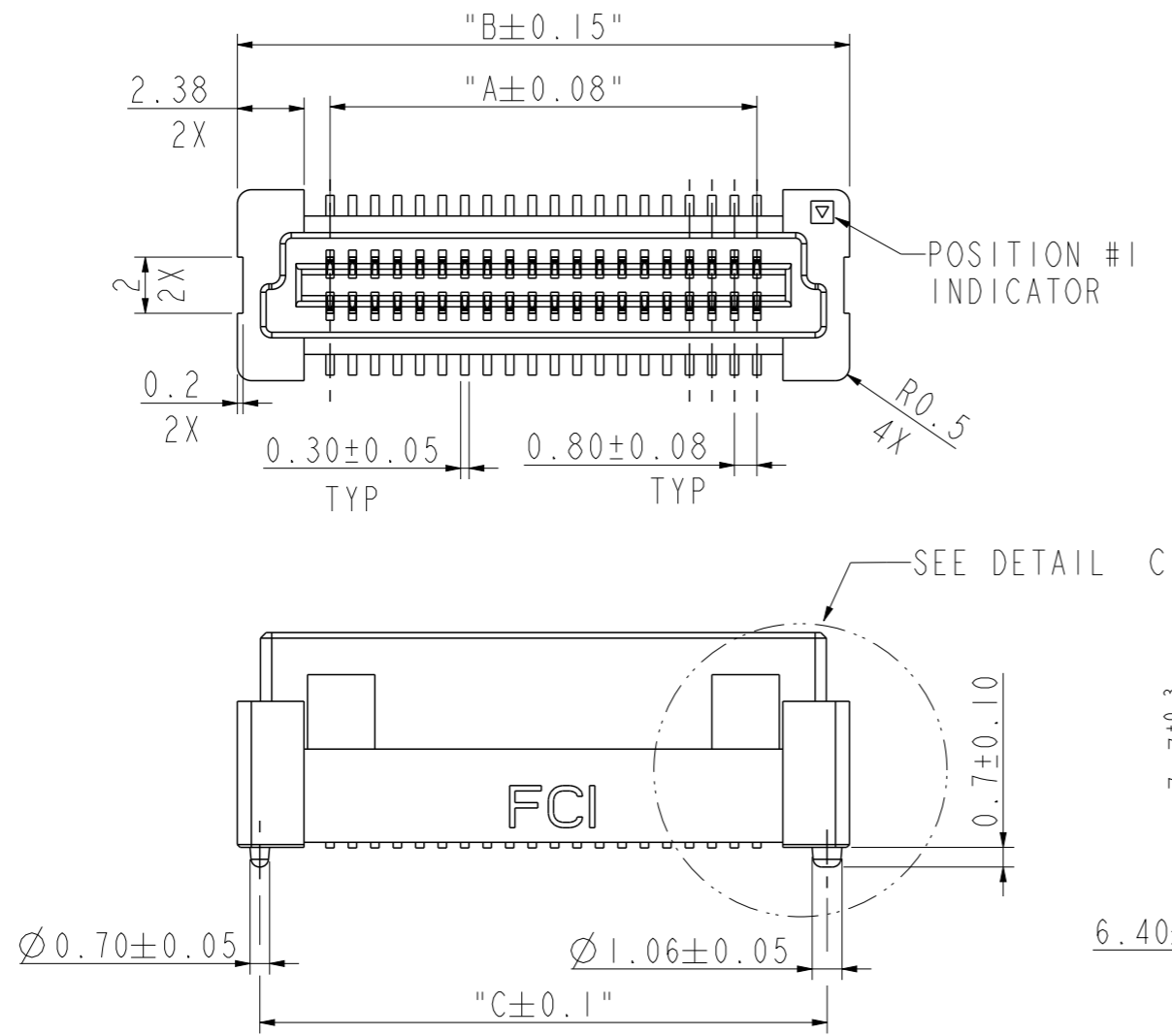
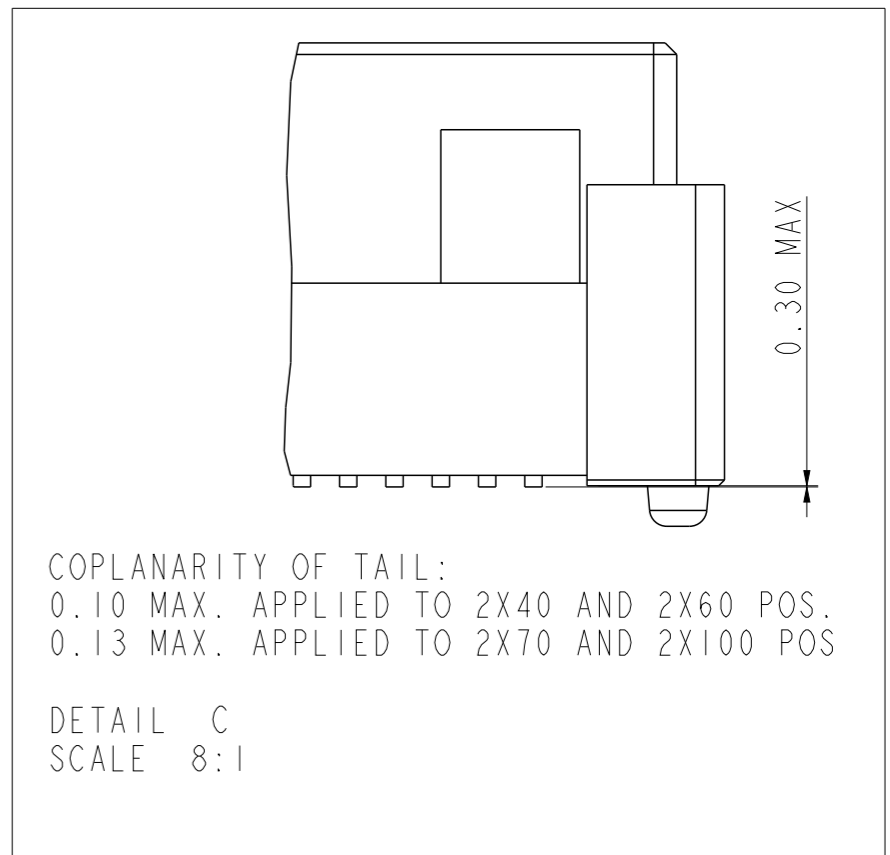
RECOMMENDED PCB LAYOUT WITHOUT PEGS

spec ref -		dr Eric Huang	2016/08/02	projection	mm	size A3	scale 1:1
tolerance std ISO 406 ISO 1101		TOLERANCES UNLESS OTHERWISE SPECIFIED				ecn no ELX-N-38183-1	
		eng Bob Gu	2020/12/02			rel level Released	
		chr -	-	product family -			
		appr Tim Yao	2020/12/04	Amphenol FCI		BERGSTAK+ 0.8mm	dwg no 10139781
surface		linear	0.X ±0.3	RECEPTACLE CONN		rev J	
			0.XX ±0.15				
			0.XXX ±0.08				
ISO 1302		angular	0° ±2°	cat. no. -		Product - Customer Drw	

PRODUCT NO.	NUMBER OF POSITIONS	DIMENSION		
		A	B	C
10139781-042*****	2X10	7.2	13.8	12.2
10139781-042*****	2X20	15.2	21.8	20.2
10139781-062*****	2X30	23.2	29.8	28.2
10139781-082*****	2X40	31.2	37.8	36.2
10139781-102*****	2X50	39.2	45.8	44.2
10139781-122*****	2X60	47.2	53.8	52.2
10139781-142*****	2X70	55.2	61.8	60.2
10139781-162*****	2X80	63.2	69.8	68.2
10139781-182*****	2X90	71.2	77.8	76.2
10139781-202*****	2X100	79.2	85.8	84.2

DATE CODE: XXXXXX
 DAY(01~31)
 MONTH(01~12)
 YEAR(00~99)

DETAIL D
 SCALE 5:1

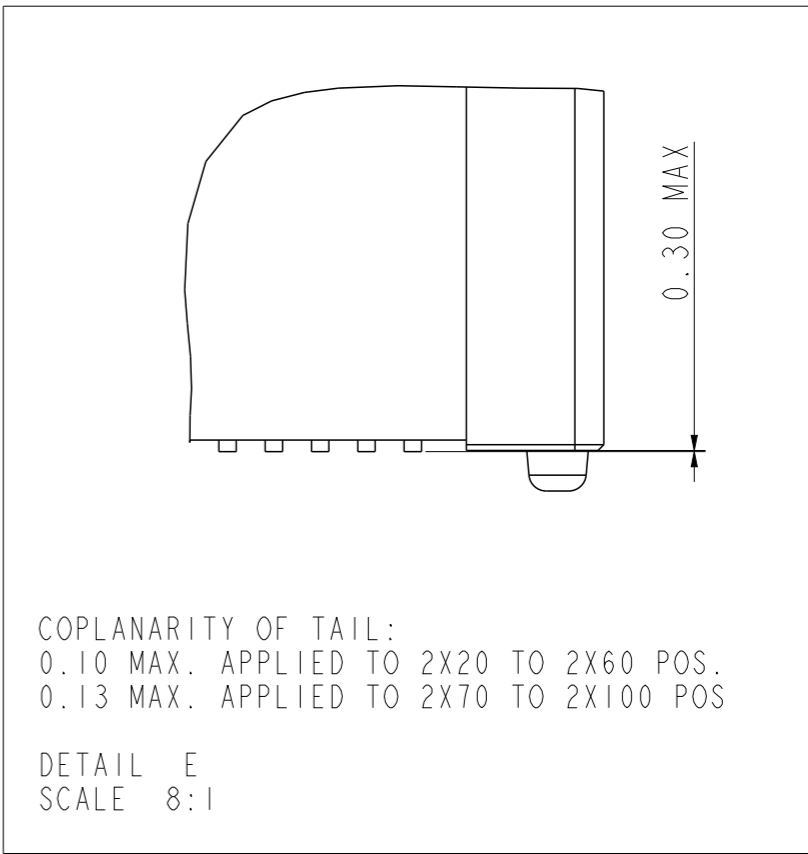


RECEPTACLE 2

spec ref	-	dr	Eric Huang	2016/08/02	projection	mm	size	A3	scale	1:1	
tolerance std	ISO 406 ISO 1101	eng	Bob Gu	2020/12/02			ecn no	ELX-N-38183-1	rel level	Released	
TOLERANCES UNLESS OTHERWISE SPECIFIED		chr	-	-			product family	-			
surface	linear	0.X	±0.3	Amphenol FCI	BERGSTAK+ 0.8mm		dwg no	10139781		rev	J
		0.XX	±0.15		RECEPTACLE CONN						
	angular	0°	±2°		cat. no.	-					

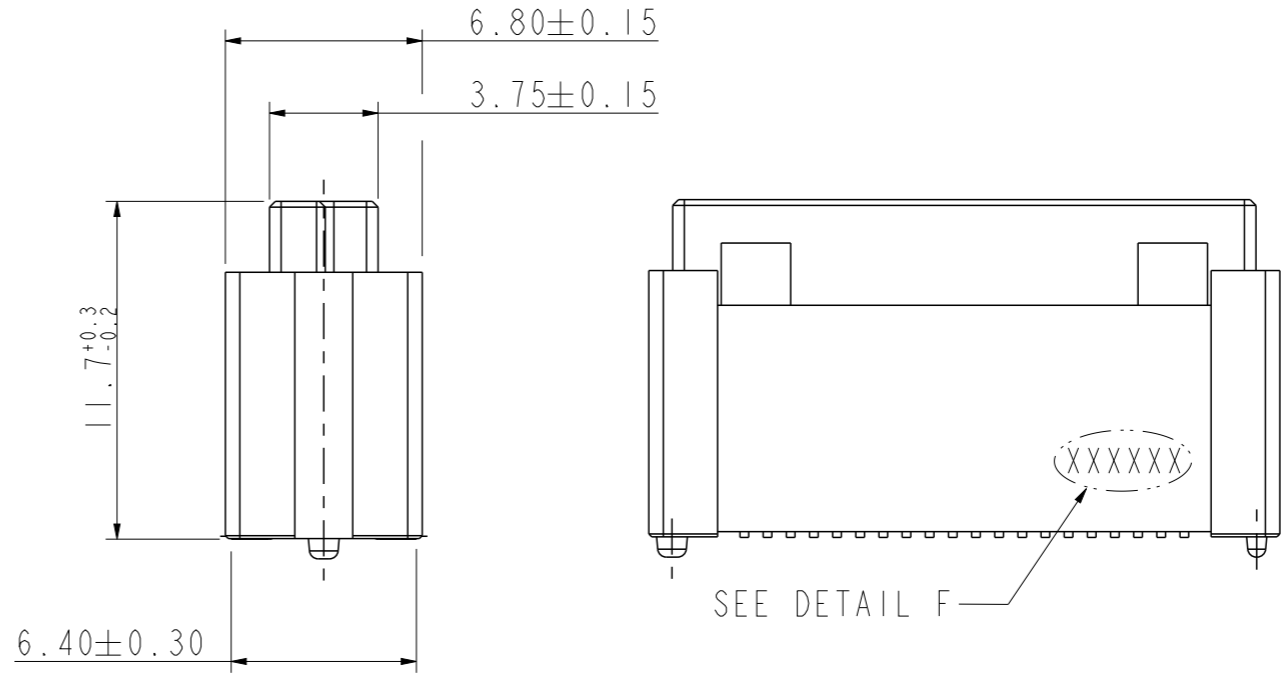
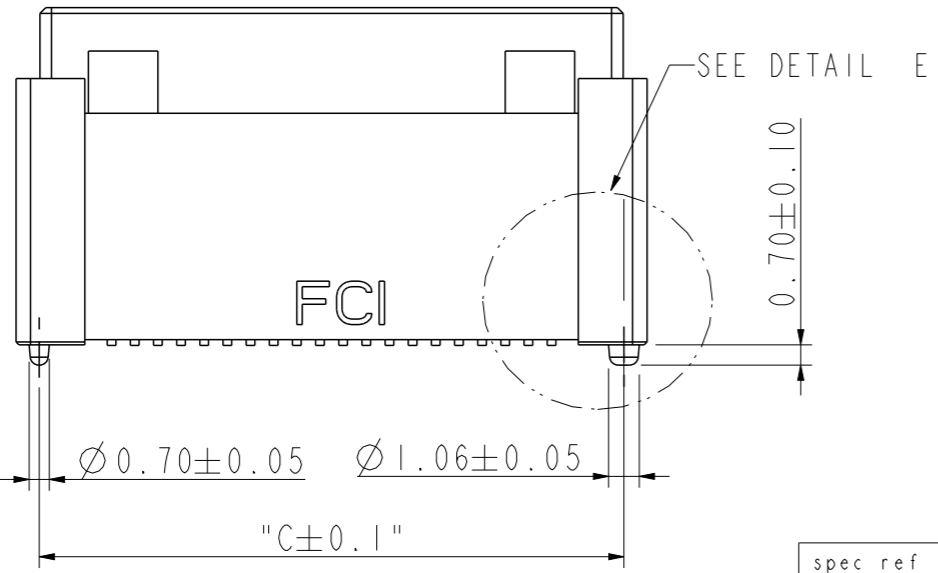
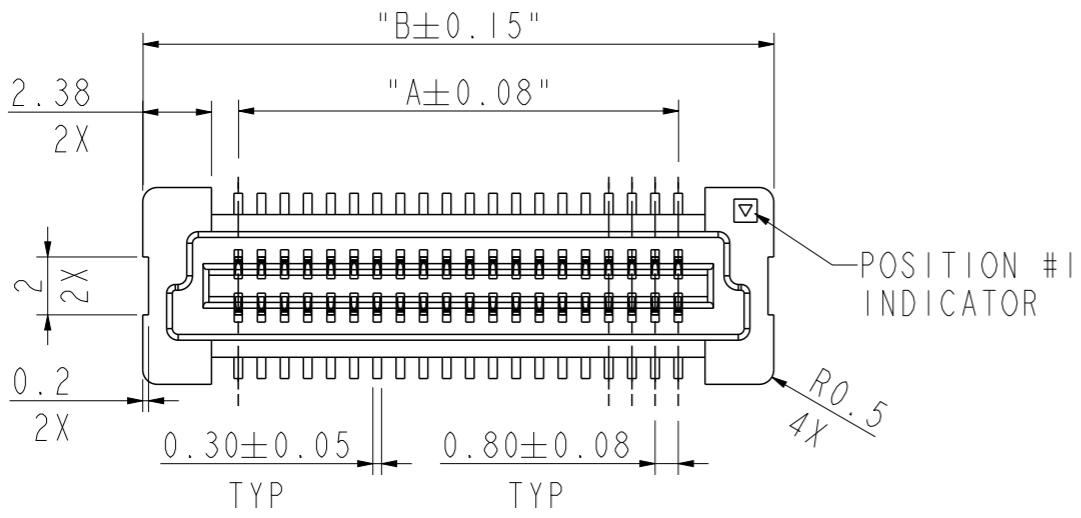
PRODUCT NO.	NUMBER OF POSITIONS	DIMENSION		
		A	B	C
10139781-043*****	2X20	15.2	21.8	20.2
10139781-063*****	2X30	23.2	29.8	28.2
10139781-083*****	2X40	31.2	37.8	36.2
10139781-103*****	2X50	39.2	45.8	44.2
10139781-123*****	2X60	47.2	53.8	52.2
10139781-143*****	2X70	55.2	61.8	60.2
10139781-163*****	2X80	63.2	69.8	68.2
10139781-183*****	2X90	71.2	77.8	76.2
10139781-203*****	2X100	79.2	85.8	84.2

DATE CODE: XXXXXX
 DAY(01~31)
 MONTH(01~12)
 YEAR(00~99)



DETAIL F
SCALE 5:1

COPLANARITY OF TAIL:
 0.10 MAX. APPLIED TO 2X20 TO 2X60 POS.
 0.13 MAX. APPLIED TO 2X70 TO 2X100 POS
 DETAIL E
 SCALE 8:1



spec ref	-	dr	Eric Huang	2016/08/02	projection	mm	size	A3	scale	4:1	
tolerance std	ISO 406 ISO 1101	eng	Bob Gu	2020/12/02			ecn no	ELX-N-38183-1			
TOLERANCES UNLESS OTHERWISE SPECIFIED		chr	-	-			rel level	Released			
surface	linear	appr	Tim Yao	2020/12/04	product family	-	rel level	Released			
ISO 1302	angular	0°	±2°	Amphenol FCI	BERGSTAK+ 0.8mm	RECEPTACLE CONN	dwg no	10139781		rev	J
cat. no.					-	Product - Customer Drw			sheet 5 of 7		

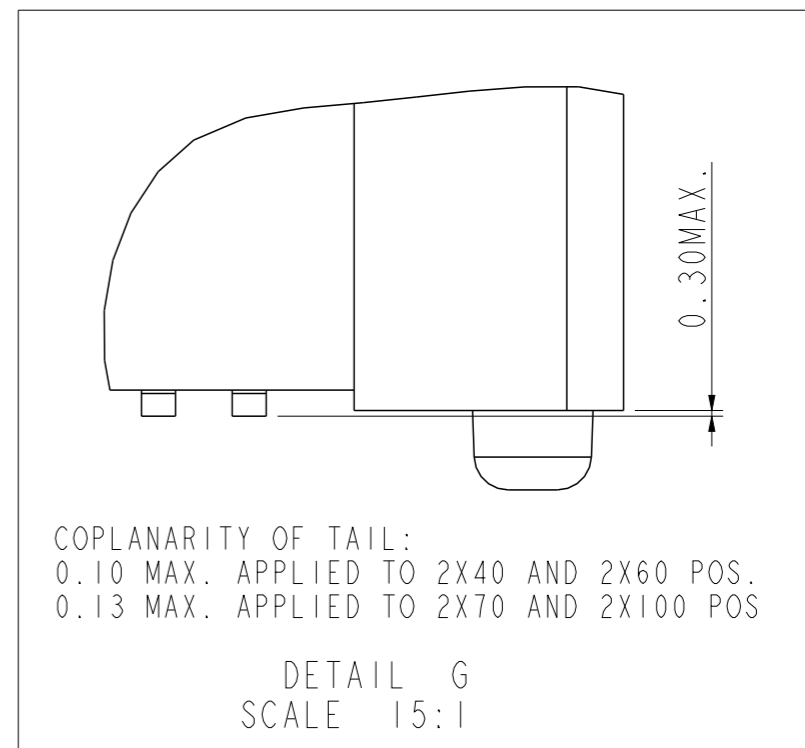
© 2016 AFCI Amphenol FCI

PRODUCT NO.	NUMBER OF POSITIONS	DIMENSION		
		A	B	C
10139781-024*****	2X10	7.2	13.8	12.2
10139781-044*****	2X20	15.2	21.8	20.2
10139781-064*****	2X30	23.2	29.8	28.2
10139781-084*****	2X40	31.2	37.8	36.2
10139781-104*****	2X50	39.2	45.8	44.2
10139781-124*****	2X60	47.2	53.8	52.2
10139781-144*****	2x70	55.2	61.8	60.2
10139781-164*****	2x80	63.2	69.8	68.2
10139781-184*****	2X90	71.2	77.8	76.2
10139781-204*****	2X100	79.2	85.8	84.2

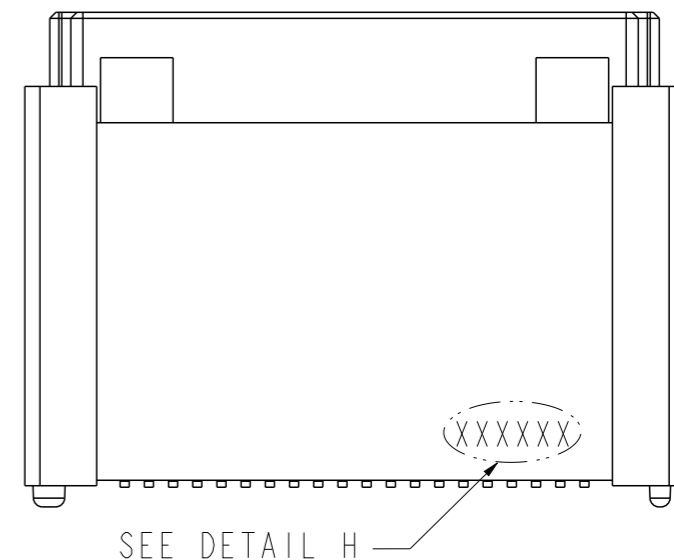
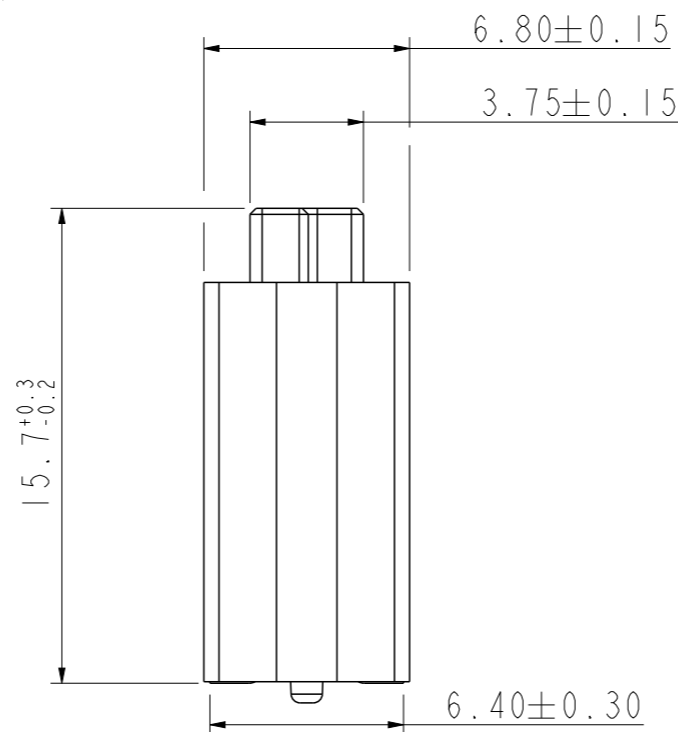
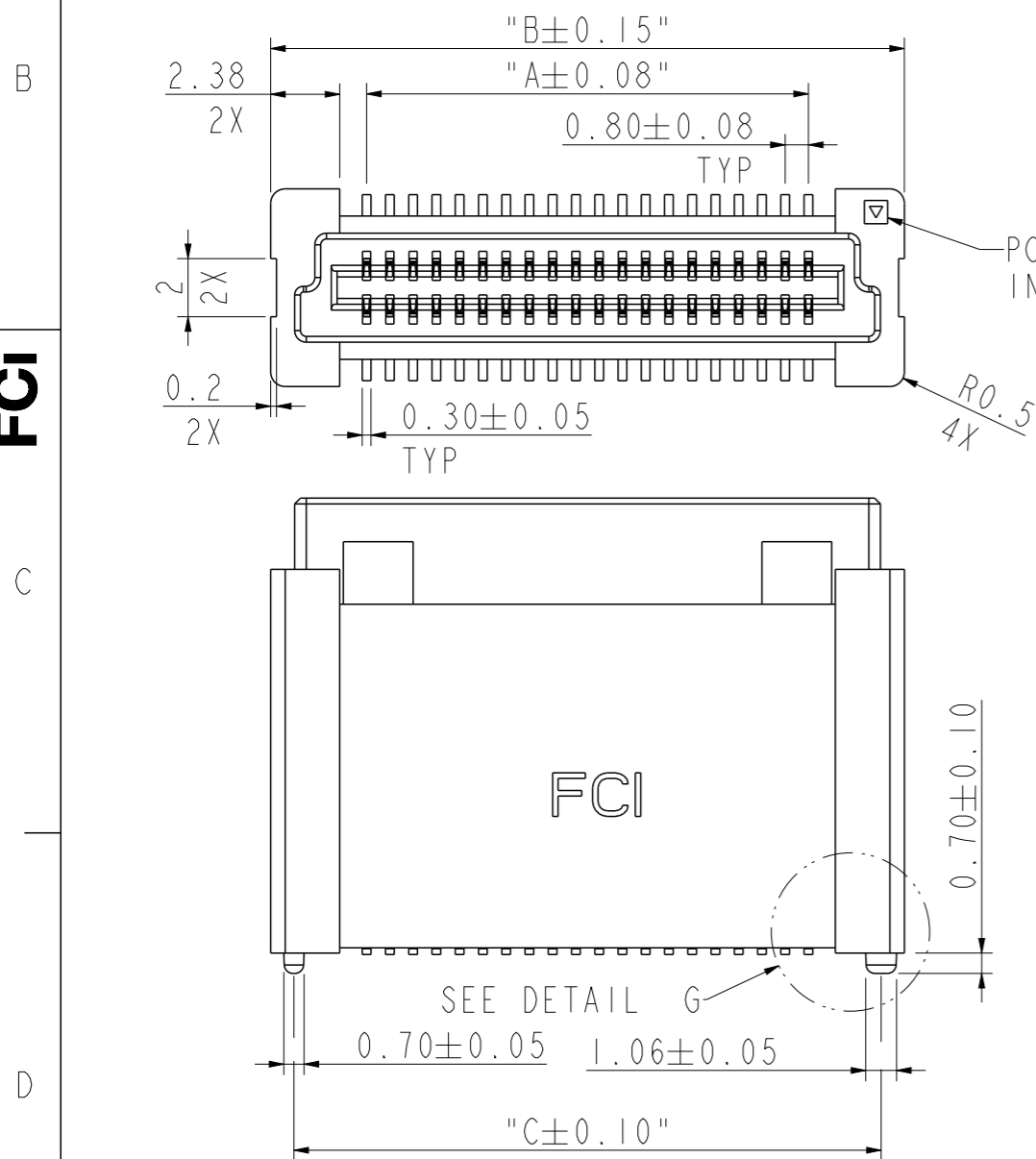
DATE CODE: XXXXXX

DAY(01~31)
MONTH(01~12)
YEAR(00~99)

DETAIL H
SCALE 5:1

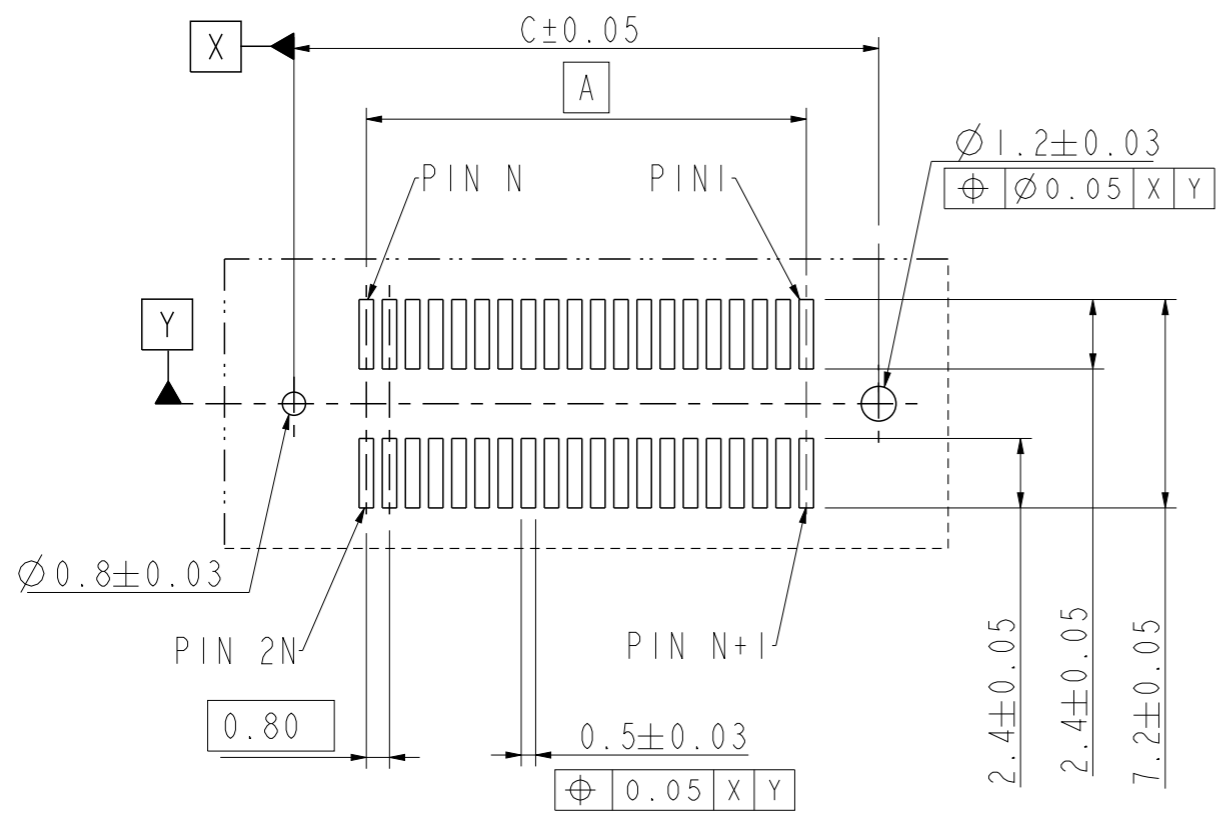


DETAIL G
SCALE 15:1

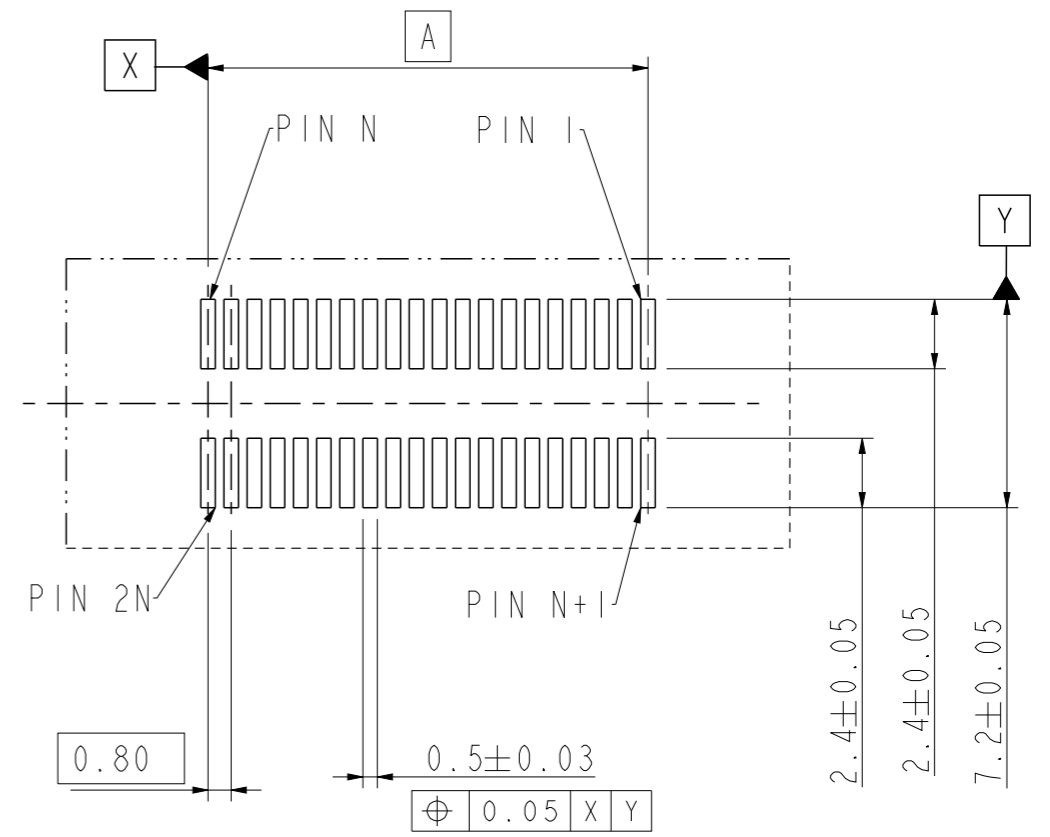


spec ref	-	dr	Eric Huang	2016/08/02	projection	mm	size	A3	scale	4:1	
tolerance std	ISO 406 ISO 1101	eng	Bob Gu	2020/12/02			ecn no	ELX-N-38183-1			
surface	linear	chr	-	app			Tim Yao	2020/12/04	product family	-	rel level
	angular	0°	±2°	Amphenol FCI		BERGSTAK+ 0.8mm	dwg no	10139781		rev	J
ISO 1302		cat. no.		-	Product - Customer Drw		sheet 6 of 7				

RECEPTACLE 2 & 3 & 4



RECOMMENDED PCB LAYOUT WITH PEGS



RECOMMENDED PCB LAYOUT WITHOUT PEGS

Amphenol FCI

© 2016 AFCI

spec ref	-	dr	Eric Huang	2016/08/02	projection	mm	size	A3	scale	1:1		
tolerance std	ISO 406 ISO 1101	eng	Bob Gu	2020/12/02			ecn no	ELX-N-38183-1				
TOLERANCES UNLESS OTHERWISE SPECIFIED		chr	-	-			rel level	Released				
surface	linear	0.X	±0.3	Amphenol FCI	product family		BERGSTAK+ 0.8mm RECEPTACLE CONN	dwg no 10139781	rev		J	
		0.XX	±0.15		-				-		-	
		0.XXX	±0.08		-				-		-	
ISO 1302	angular	0°	±2°	cat. no.	-	Product - Customer Drw		sheet 7 of 7				