

Notes:

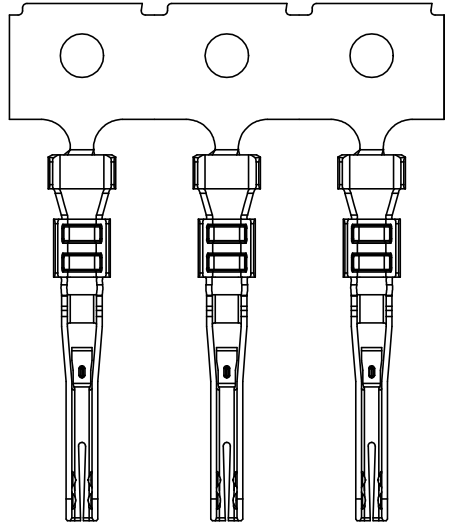
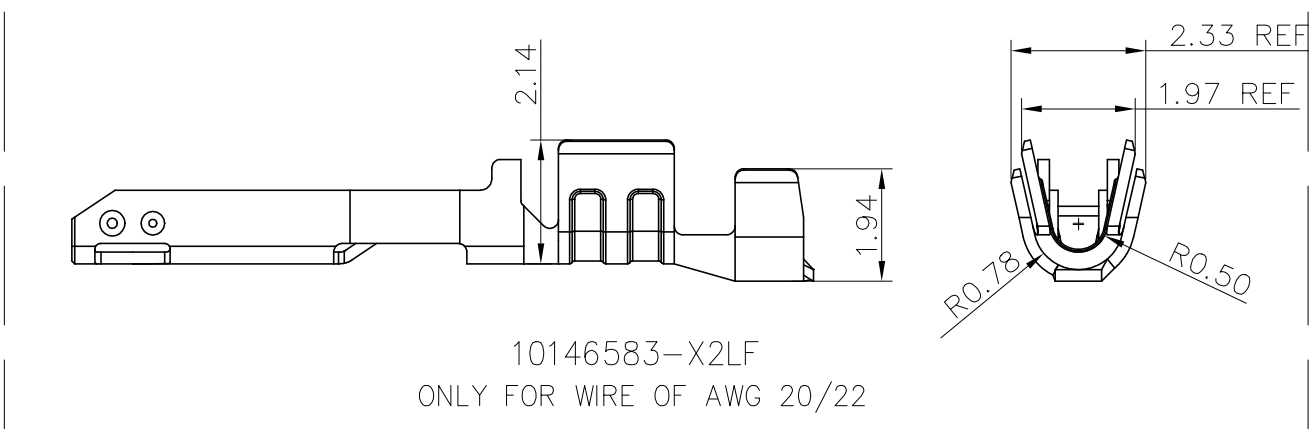
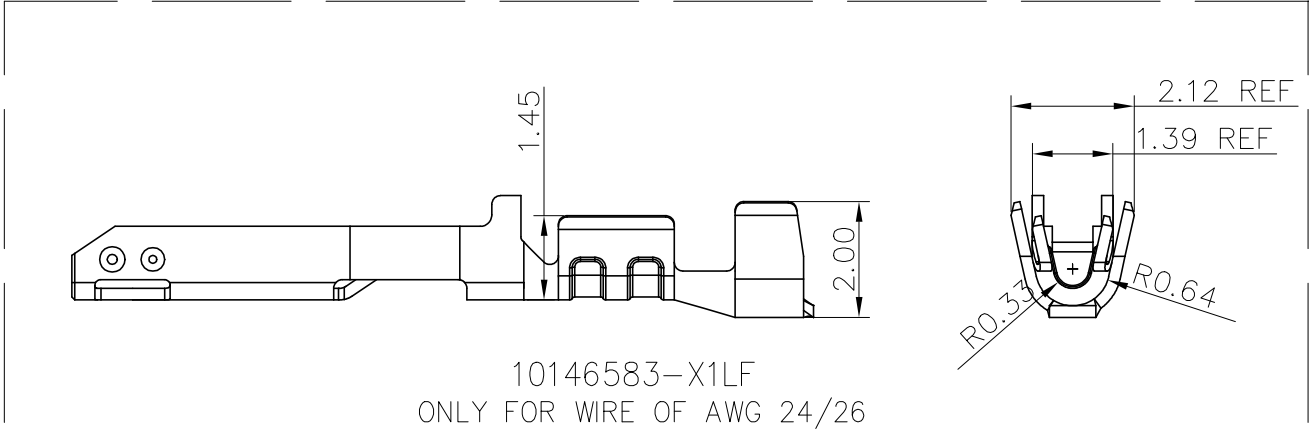
- 1. MATERIAL: HIGH CONDUCTIVITY COPPER ALLOY
- 2. PLATING FINISHED:
CONTACT/SOLDER AREA: SEE PART NUMBER SCHEME
UNDER PALTING NICKEL 50u"MIN;
- 3. PRODUCT SPEC: GS-12-1456
- 4. PACKAGING SPEC: GS-14-2610
- 5. USE WITH AFCI HOUSING 10146579, 10146580
- 6. PART NUMBER SCHEME:
10146583- X X LF

- LEAD FREE
- CRIMP HEIGHT
1: LOW TYPE(24/26 AWG)
2: HIGH TYPE(20/22 AWG)
- CONTACT/SOLDER AREA PLATING
0: 100u" BRIGHT TIN MIN OVER ALL.
1: 15u" GOLD ON CONTACT AREA,
100u" BRIGHT TIN MIN OVER ALL.
2: 30u" GOLD ON CONTACT AREA,
100u" BRIGHT TIN MIN OVER ALL.

| | | | | | | | | | |
|---------------------------------------|--|-----------|--|------------|--|--------------|--|--------------------------|--|
| mat'l. code | | surface | | tolerance | | projection | | product family | |
| ISO 1302 | | ISO 406 | | ISO 1101 | | 1101 | | MinitekPWR | |
| tolerances unless otherwise specified | | linear | | mm | | mm | | title | |
| angles | | 0°±2' | | .0±.35 | | scale 1:1 | | 2.5mm Crimp Terminal | |
| dr | | TONY LENG | | 2017-11-22 | | Amphenol FCI | | dwg no | |
| eng | | TONY LENG | | 2017-11-22 | | | | sheet 1 of 2 | |
| chr | | ZK HU | | 2017-11-22 | | | | 10146583 | |
| appd | | TIM YAO | | 2017-11-22 | | | | A3 | |
| sheet index | | revision | | A | | A | | type | |
| sheet | | 1 | | 2 | | | | Product Customer Drawing | |

Amphenol FCI

© 2016 AFCI



(SCALE 2:1)

| | | | | | | | | | |
|-------------|--|------------|--|------------------|--|---------------------------------------|--|--------------------------|--|
| mat'l. code | | surface | | tolerance | | projection | | product family | |
| | | ISO 1302 ✓ | | ISO 406 ISO 1101 | | 1101 | | MinitekPWR | |
| ltr | | ecn no dr | | date | | tolerances unless otherwise specified | | title | |
| | | | | | | .0±.35 | | 2.5mm Crimp Terminal | |
| | | | | | | linear .00±.25 | | | |
| | | | | | | 0°±2' | | mm | |
| | | | | | | .000±.15 | | scale 1:1 | |
| | | dr | | TONY LENG | | 2017-11-22 | | dwg no | |
| | | eng | | TONY LENG | | 2017-11-22 | | sheet 2 of 2 | |
| | | chr | | ZK HU | | 2017-11-22 | | 10146583 | |
| | | app | | TIM YAO | | 2017-11-22 | | A3 | |
| sheet index | | revision | | A | | A | | type | |
| | | sheet | | 1 | | 2 | | Product Customer Drawing | |