

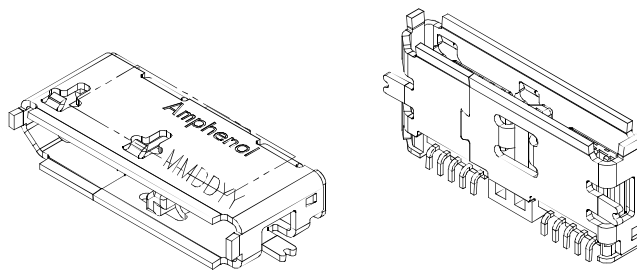
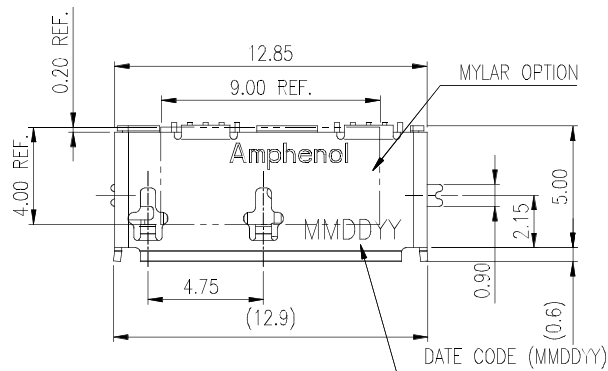
This document is the property of Amphenol Corporation and is delivered on the express condition that it not be disclosed, reproduced or used, in whole or in part, for manufacture or sale by anyone other than Amphenol Corporation without its prior consent, and that no right is granted to disclose or to use any information in this document.
 The marking on this product doesn't contain environmental hazardous material and must follow one or more specifications per Material Specification SS-00259 for Sony GP compliant or per directive 2011/65/EC for RoHS compliant or per IEC 61249-2-21 for Halogen Free compliant.



ORIGINAL



REVISIONS				
SYM	ECN No.	DESCRIPTION	DATE	BY
A	NE-14121	RELEASE TO PRODUCTION	06/20/2014	Sondra Sang

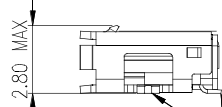
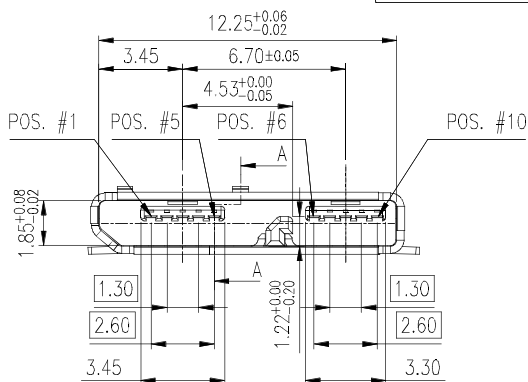


PART NUMBER:
GSB4 431 X 3 HR

CONTACT FINISH
3: 30µ" GOLD

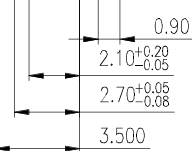
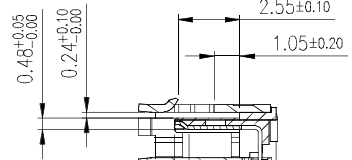
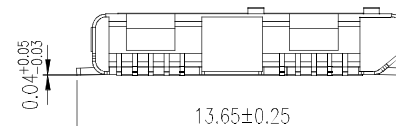
VARIATION CODE
BLANK: STANDARD T&R PACKING
A: W/ MYLAR, T&R PACKING

INSULATOR AND COLOR
3: LCP, Black

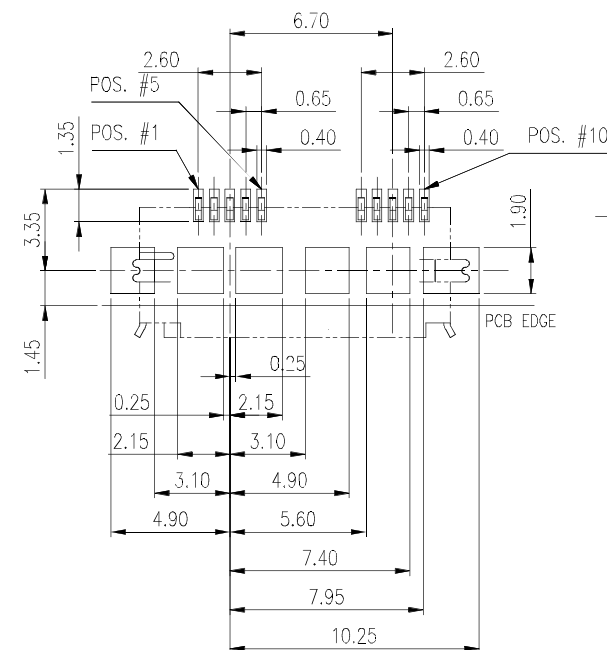


0.08

(ALL CONTACT TAILS & TABS)



SECTION A-A



RECOMMENDED PCB LAYOUT - TOP VIEW
(GENERAL TOLERANCE: ±0.05)

NOTES:

- HOUSING: HIGH TEMP. THERMOPLASTIC, UL 94V-0, COLOR- BLACK
- CONTACT: COPPER ALLOY, 0.15mm THICKNESS, 30µ" MIN. GOLD PLATED ON CONTACT AREA, GOLD FLASH PLATED ON SOLDERING TAIL, 80µ" MIN. NICKEL UNDER-PLATED OVERALL
- METAL SHELL: STAINLESS, 0.3mm THICKNESS, GOLD FLASH PLATED ON THE SOLDERING TABS
- MYLAR: 4.0 x 9.0 mm
- THIS PRODUCT DOESN'T CONTAIN ENVIRONMENTAL HAZARDOUS MATERIALS PER DIRECTIVE 2011/65/EC FOR RoHS AND PER IEC 61249-2-21 FOR HALOGEN FREE COMPLIANT.

TOLERANCE	APPROVALS	DATE	TITLE		UNIT		SIZE	PART No.	Amphenol®	
X. X ±0.30	DRAWN Sondra Sang	6/20/2014	USB 3.1 CONNECTOR MICRO_B, RECEPTACLE R/A SMT TYPE		mm	A3	A3	GSB4 431 33X HR	Amphenol Corporation Amphenol Taiwan Corporation	
X.XX ±0.20										
X.XXX ±0.10	CHECKED Chenny Yeh	6/20/2014								
ANGULAR ±1°	APPROVED Hank Hsu	6/20/2014								
UNLESS OTHERWISE SPECIFIED	DWG TYPE CUST DWG	PROJECT CODE T503				SCALE NA	SHEET 1 OF 1	DWG No. GSB443133HR	REV. A	