

This document is the property of Amphenol Corporation and is delivered on the express condition that it not be disclosed, reproduced or used, in whole or in part, for manufacture or sale by anyone other than Amphenol Corporation without its prior consent, and that no right is granted to disclose or to use any information in this document.

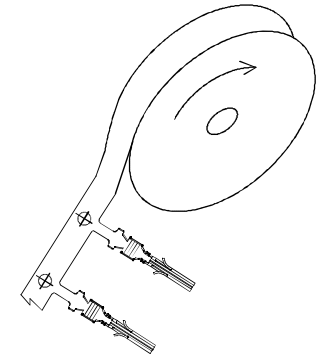
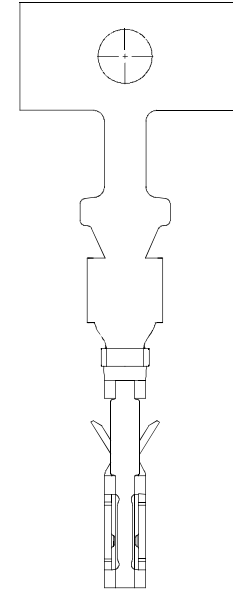
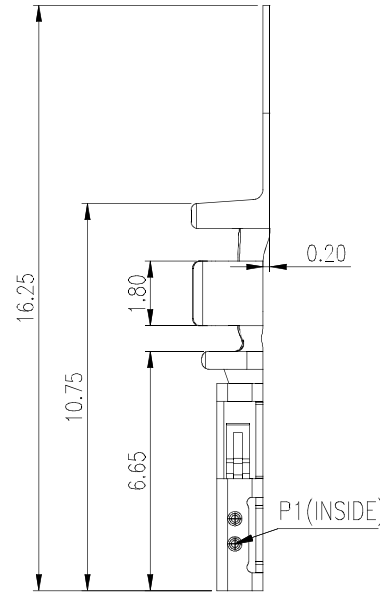
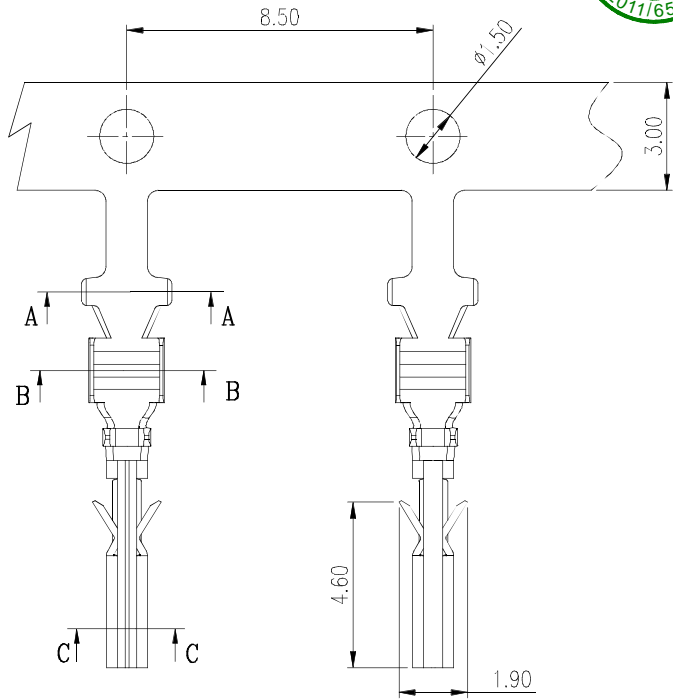
The marking on this product doesn't contain environmental hazardous materials per Material Specification SS-00259 for Sony GP compliant or per directive 2011/65/EU for RoHS compliant.



ORIGINAL



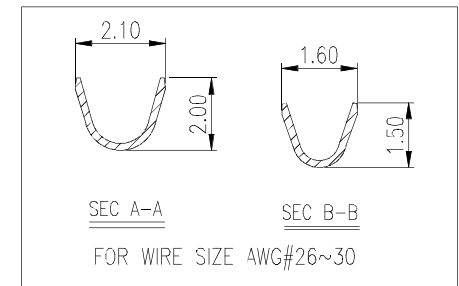
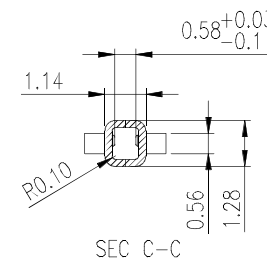
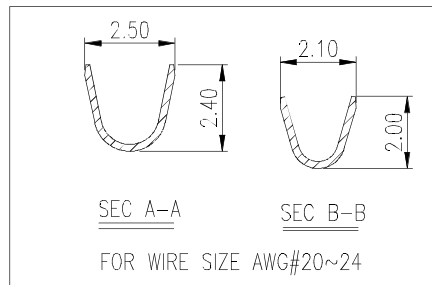
REVISIONS				
SYM	ECN No.	DESCRIPTION	DATE	APPROVED
A	NE-14213	RELEASE TO PRODUCTION	11/21/2014	Arron Lin



P/N: G881C0 X 32CEU
 WIRE SIZE
 2: AWG#20~24
 1: AWG#26~30

NOTES:

- MATERIAL:
TERMINAL: PHOSPHOR BRONZE.
- FINISH:
TERMINAL:
TIN PLATING 100 μ" THICKNESS MIN. OVERALL.
UNDER PLATING: NICKEL PLATING 50 μ" THICKNESS MIN. OVERALL.
MEASURING POINT:
P1: NICKEL 50 μ" MIN., TIN 100 μ" MIN.
- PACKING IS PER AMTA PACKING SPECIFICATION PKS-0001.
- THIS PRODUCT DOESN'T CONTAIN ENVIRONMENTAL HAZARDOUS PER DIRECTIVE 2011/65/EU FOR RoHS COMPLIANT.
- TERMINAL QTY/REEL: 10,000PCS.
- APPLICABLE WIRES: AWG#20~#30, INSULATOR O.D: 1.2~1.7mm.
- RECOMMENDED HOUSING P/N: G881HXX22CHR



TOLERANCE	APPROVALS	DATE	TITLE			Amphenol®		
X. X.X X.XX X.XXX ±0.30 ±0.20 ±0.10	DRAWN Debby Hung	11/21/2014	TERMINAL FOR MICRO POWER CONN. 3.0MM PITCH (AWG#20~AWG#30)			Amphenol Corporation Amphenol Taiwan Corporation		
	CHECKED Roger Tsai	11/21/2014						
	APPROVED Arron Lin	11/21/2014						
ANGULAR ±1°	DWG TYPE CUST DWG	PROJECT CODE SKT	UNIT mm	SIZE A3	PART No. G881C0X32CEU			
UNLESS OTHERWISE SPECIFIED			SCALE NA	SHEET 1 OF 2	DWG No. G881C0X32CEU	REV. A		

This document is the property of Amphenol Corporation and is delivered on the express condition that it is not to be disclosed, reproduced or used, in whole or in part, for manufacture or sale by anyone other than Amphenol Corporation without its prior consent, and that no right is granted to disclose or to use any information in this document.

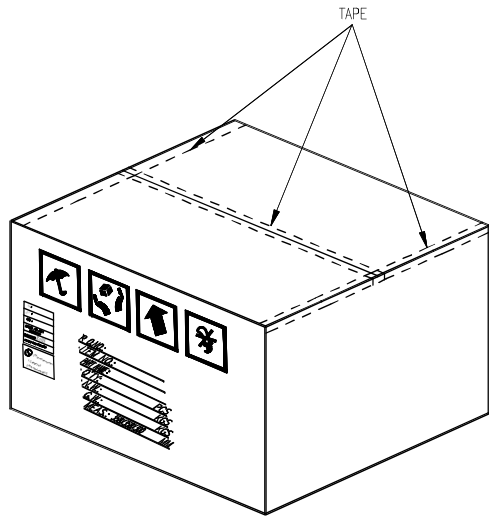
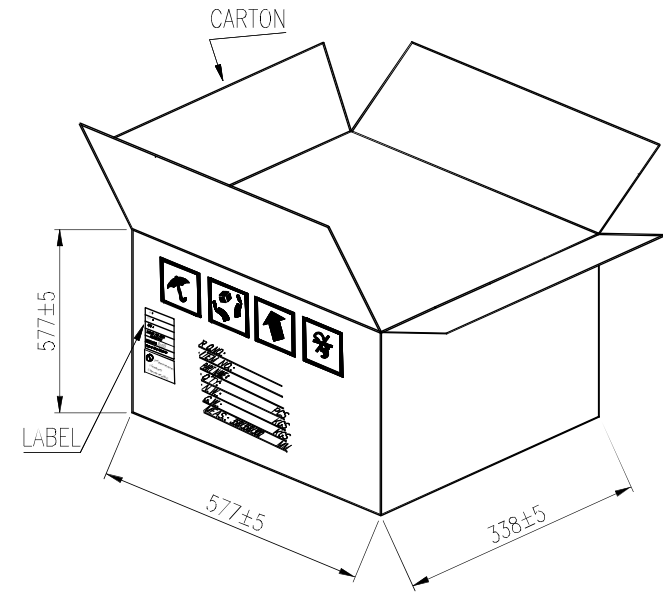
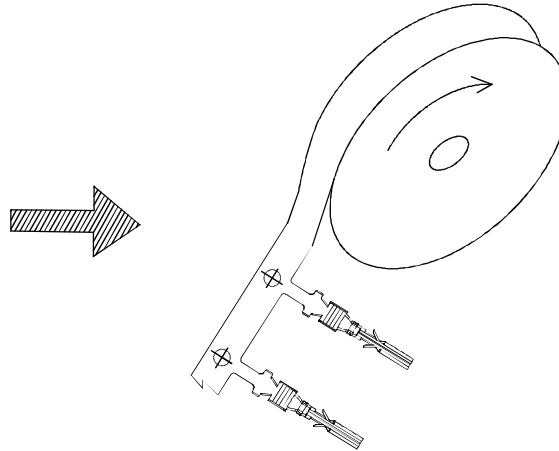
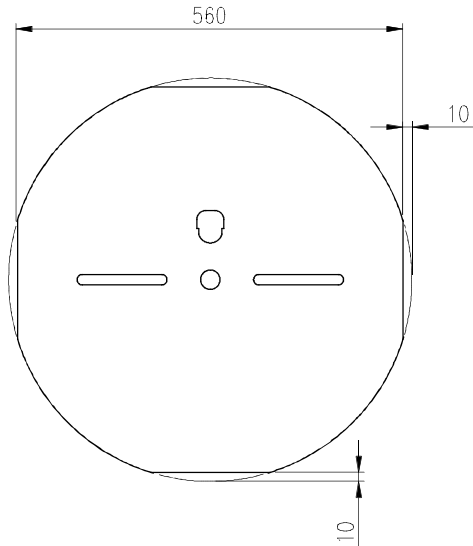
The marking on this product doesn't contain environmental hazardous materials per Material Specification SS-00259 for Sony GP compliant or per directive 2011/65/EU for RoHS compliant.



ORIGINAL

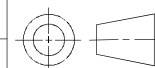


REVISIONS				
SYM	ECN No.	DESCRIPTION	DATE	APPROVED
A	NE-14213	RELEASE TO PRODUCTION	11/21/2014	Arron Lin



PART NO	PCS/REEL	PCS/CARTON
G881C0132CEU	10000	100000
G881C0232CEU	10000	100000

TOLERANCE	APPROVALS	DATE	TITLE		PART No.	
X. X.X ±0.30 X.XX ±0.20 X.XXX ±0.10	DRAWN Debby Hung	11/21/2014	TERMINAL FOR MICRO POWER CONN. 3.0MM PITCH (AWG#20~AWG#30)		G881C0X32CEU	
ANGULAR ±1°	CHECKED Roger Tsai	11/21/2014	UNLESS OTHERWISE SPECIFIED		UNIT mm	SIZE A3
	APPROVED Arron Lin	11/21/2014	DWG TYPE CUST DWG	PROJECT CODE SKT	SCALE NA	SHEET 2 OF 2
						DWG No. G881C0X32CEU
						REV. A



Amphenol®

Amphenol Corporation
Amphenol Taiwan Corporation