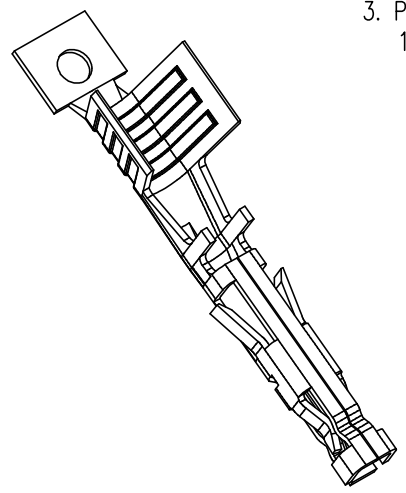
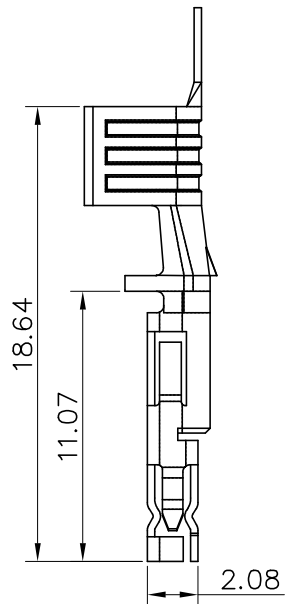
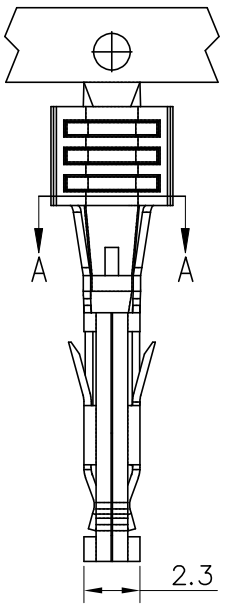


PRODUCT NUMBER

10143250-XXXLF



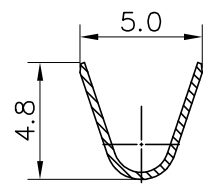
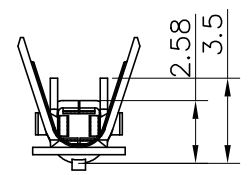
NOTES:

1. MATERIAL: HIGT CONDUCTIVITY COPPER ALLOY.
2. RoHS & HF COMPLIANT.
3. PART NUMBER SCHEME:

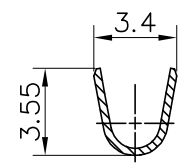
10143250- X X X LF

- LEAD FREE
- STRUCTURE STATUS:
  - 1: STANDARD TAIL (14~16AWG)
  - 2: HIGH TAIL (12AWG)
- FINISH:
  - 0: 30u" GOLD PLATING ON CONTACT AREA AND 100u" TIN PLATING ON SOLDER TAIL
  - 1: 15u" GOLD PLATING ON CONTACT AREA AND 100u" TIN PLATING ON SOLDER TAIL
  - 2: 100u" TIN PLATING OVER ALL
  - 3: GOLD FLASH ON CONTACT AREA AND 100u" TIN PLATING ON SOLDER TAIL
- MATERIAL:
  - 1: HIGT CONDUCTIVITY COPPER ALLOY

- 4: PRODUCT SPEC: GS-12-1405.
- 5: PACKAGING SPEC: GS-14-2595.



SEC: A-A  
HIGH TAIL



SEC: A-A  
STANDARD TAIL

mat'l. code		surface <input checked="" type="checkbox"/>		tolerance		projection		product family	
								MINITEK PWR HCC	
ltr		ecn no		dr		date		title	
B		ELX-N-29475		TONY		2018-03-08		Minitek Pwr 5.7 Crimp Terminal	
C		ELX-N-30154		TONY		2018-05-11			
D		ELX-N-30792		TONY		2018-07-27			
		angles		inlet		.X±0.30			
		0'±5"				.XX±0.20			
						.XXX±0.10		scale N.T.S.	
		dr		TONY LENG		2017-11-24		dwg no	
		enrg		TONY LENG		2017-11-24		sheet 1 of 1	
		chr		ZK_HU		2017-11-24		size	
		appd		TIM_YAO		2017-11-24		A4	
sheet		revision		D				Amphenol FCI	
index		sheet		1				type Product Customer Drawing	