

PART NUMBER
10127169-101LF

PART NUMBER	GRNDBAR 1 POS.	GRNDBAR 2 POS.	GRNDBAR 3 POS.	GRNDBAR 4 POS.	GRNDBAR 5 POS.
10127169-101LF	2A, 3B, 2C, 3D, 2E	5A, 4B, 5C, 4D, 5E	6A, 7B, 6C, 7D, 6E	9A, 8B, 9C, 8D, 9E	10A, 11B, 10C, 11D, 10E

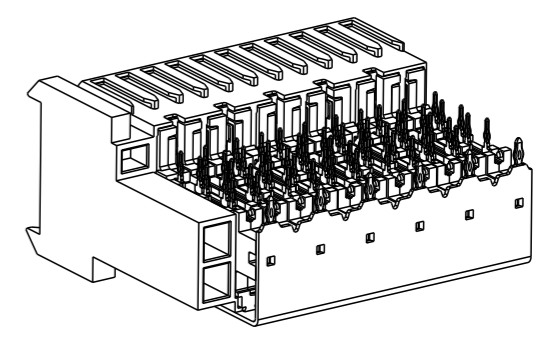
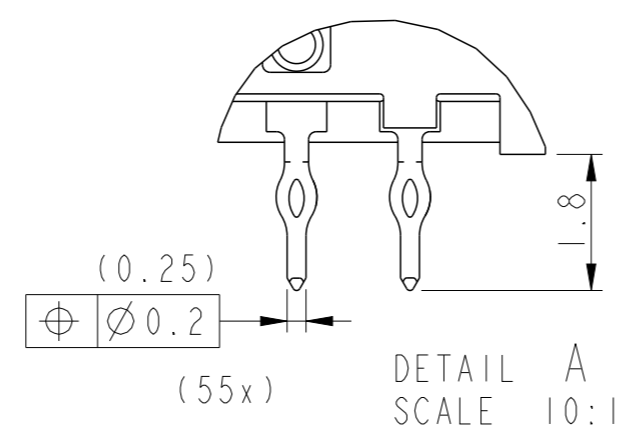
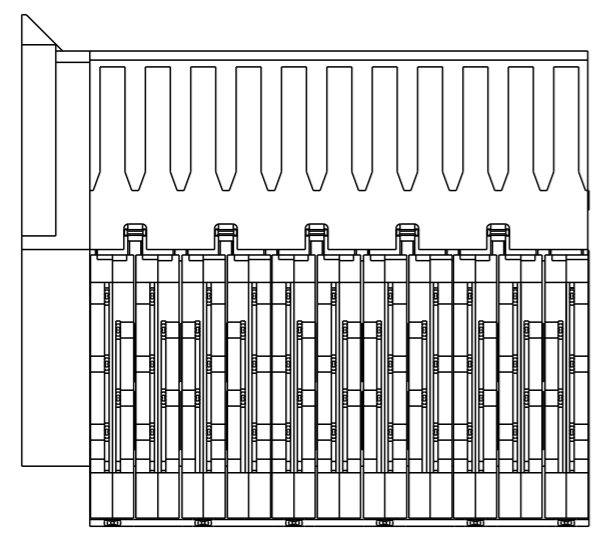
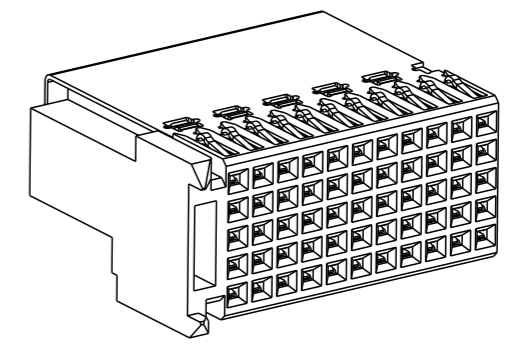
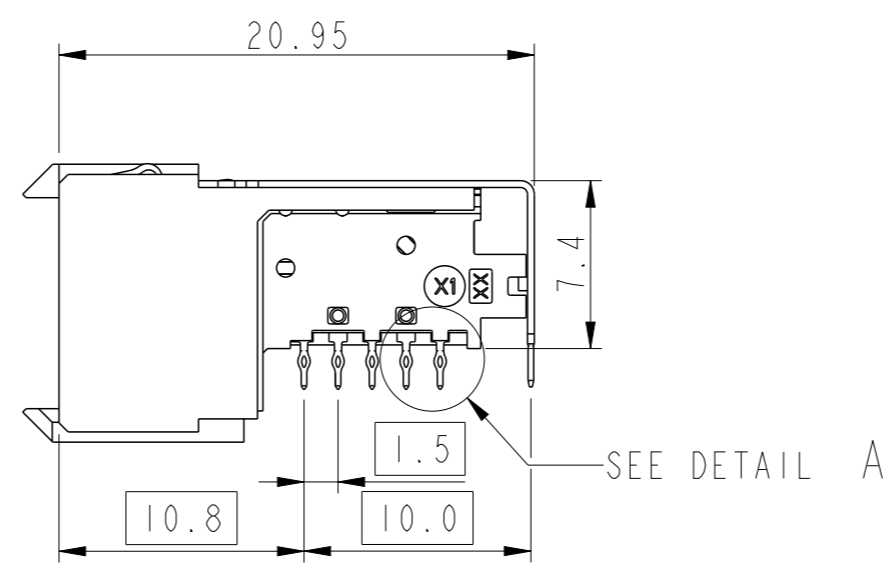
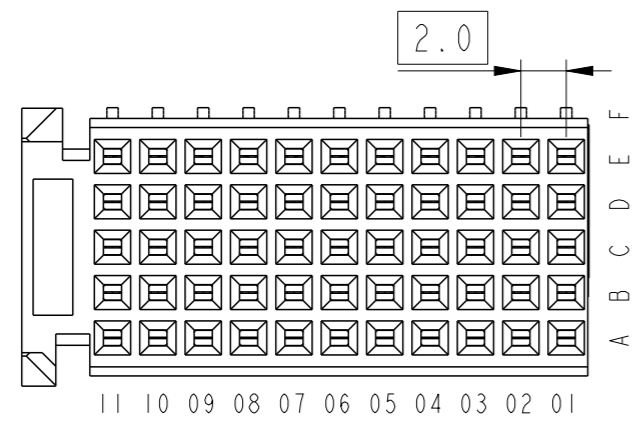
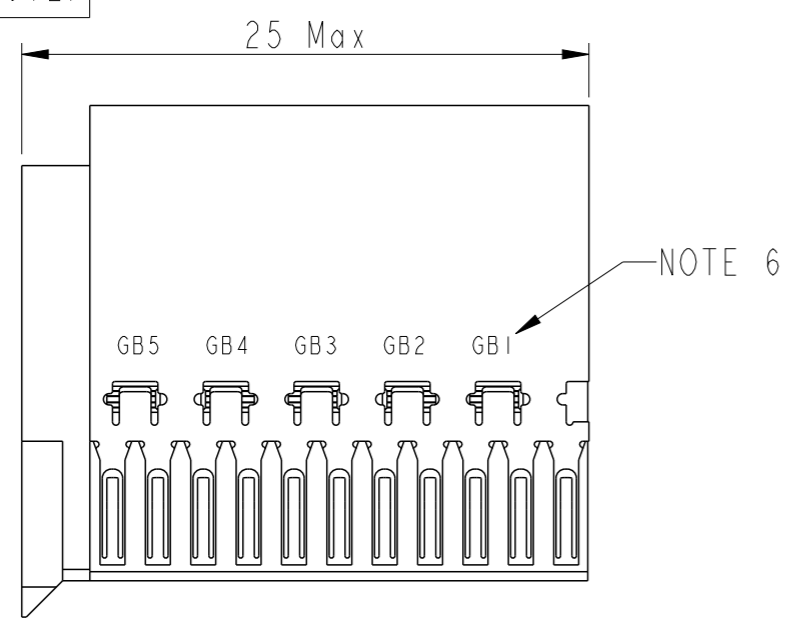
ABOVE TABLE SHOWS CONNECTED GROUND POSITIONS OF INDIVIDUAL GROUND BARS

PINNING CONFIGURATION

F	G	G	G	G	G	G	G	G	G	G	G
E	G	G	HS	HS	G	G	HS	HS	G	G	LS
D	HS	HS	G	G	HS	HS	G	G	HS	HS	G
C	G	G	HS	HS	G	G	HS	HS	G	G	LS
B	HS	HS	G	G	HS	HS	G	G	HS	HS	G
A	G	G	HS	HS	G	G	HS	HS	G	G	LS
Z	0	0	0	0	0	0	0	0	0	0	0

01 11

HS	HIGH SPEED SIGNAL
LS	LOW SPEED SIGNAL
G	GROUND
0	EMPTY

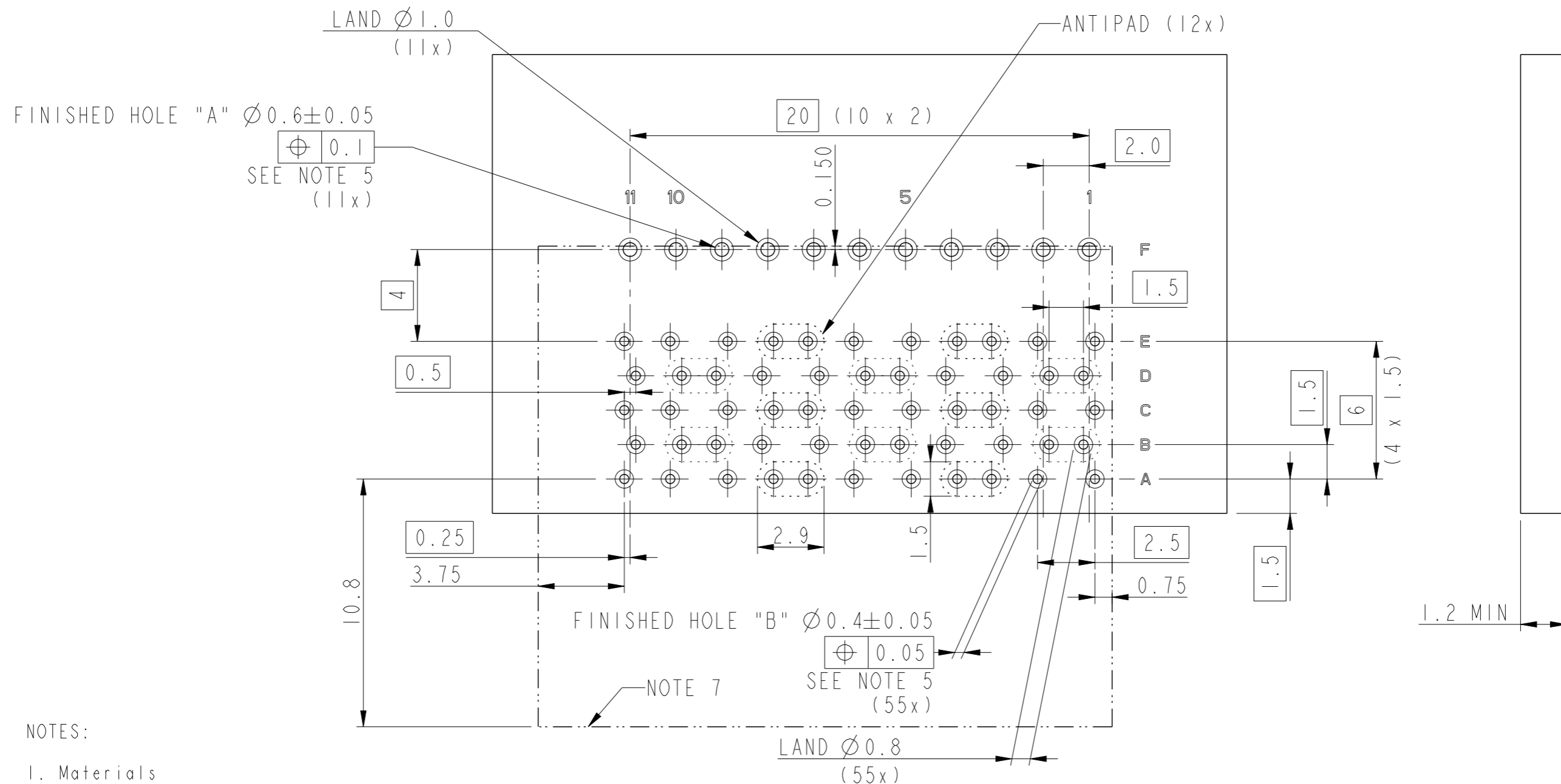


spec ref	-	dr	Binesh C	2016/04/07	projection	MM	size	A3	scale	2:1
tolerance std	ISO 406 ISO 1101	eng	Binesh C	2018/06/21			ecn no	ELX-1-30401-1	rel level	Released
TOLERANCES UNLESS OTHERWISE SPECIFIED		chr	-	product family						
surface	linear	0.X	±0.30	<b>Amphenol FCI</b>	TYPE-C RECEPTACLE ASSEMBLY		dwg no 10127169	rev C		
		0.XX	±0.20		MILLIPACS HS					
	angular	0°	±3°		cat. no.	10127169-101LF			Product - Customer Drw	sheet 1 of 2

Amphenol FCI

© 2016 AFCI

PART NUMBER  
RECOMMENDED PCB LAYOUT FOR 10127169 -10ILF



NOTES:

- Materials
  - Housing & Impls: LCP (UL94 V-0)
  - Leadframe: Copper alloy
- Finish
  - Contact area: Ni underlayer with Au or GXT top layer
  - EON area: Ni underlayer with Sn top layer
- Mates with IEC 61076-4-101 series 2mm HM headers with contact mating level 1 & 2 in signal rows. Outer shielding row of receptacle can mate with level 1, 2 & 3 header contacts.
- Mounting style: Press-fit, flat rock insertion
- Refer below table for Recommended plated through hole dimensions.
- Groundbar positions indicated by "GBx".
- Connector spacing

RECOMMENDED PLATED THROUGH HOLE DIMENSIONS

DIM	FINISHED HOLE DIA	Cu. THICKNESS	Sn THICKNESS	DRILLED HOLE DIA
B	0.35-0.45	0.02-0.05	0.0008-0.0012	0.45-0.49
A	0.55-0.65	0.02-0.05	0.0008-0.0012	0.65-0.69

spec ref	-	dr	Binesh C	2016/04/07	projection	MM	size	A3	scale	5:1	
tolerance std	ISO 406 ISO 1101	eng	Binesh C	2018/06/21			ecn no	ELX-1-30401-1			
TOLERANCES UNLESS OTHERWISE SPECIFIED		chr	-	rel level				Released			
surface	linear	appr	K-Paul Biju	2018/06/21	product family	MILLIPACS	dwg no	10127169		rev	C
ISO 1302	angular			cat. no.	10127169-10ILF		Product - Customer Drw		sheet 2 of 2		