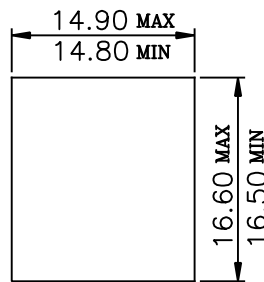
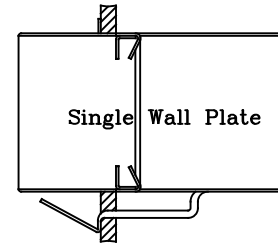
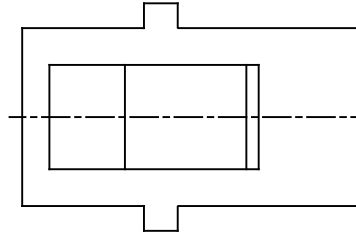
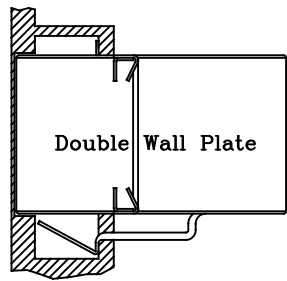
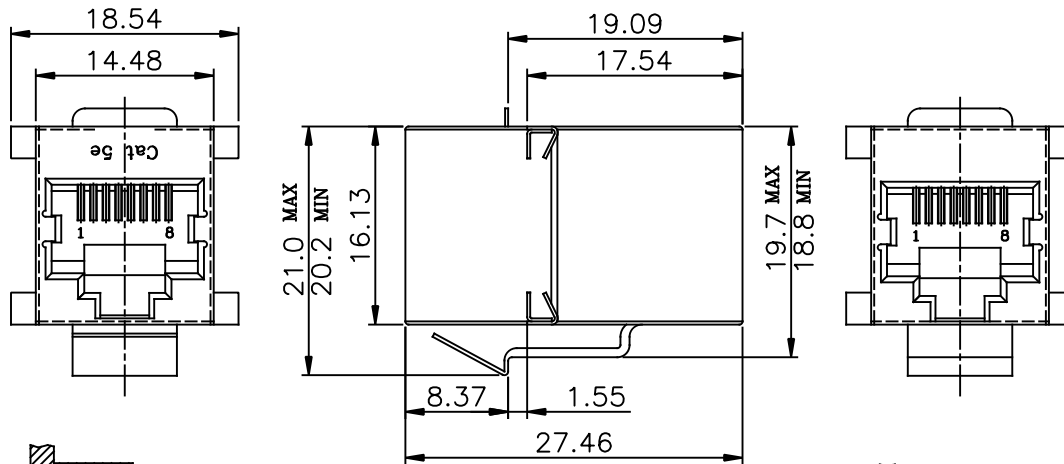
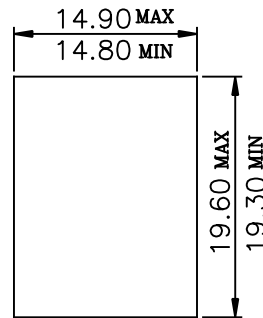


REVISIONS			
REV	DESCRIPTION, ECN, EAR NO.	DATE	APP'D
D	PROPOSAL	JUN 15/12	L.CHAN
E	PROPOSAL	NOV 23/18	L.CHAN
F	REMOVE THE LOW PLATING GOLD OPTION	SEP 16/20	L.CHAN



Front Panel Jack Only Clearance
W/O Latch Feature



Single Panel-Latch Clearance
Panel Thickness 0.062 inch



MATERIALS:

HOUSING: ENGINEERING THERMOPLASTIC, UL 94V-0
COLOUR: BLACK

SHIELD: STAINLESS STEEL

CONTACT: PHOSPHOR BRONZE

PLATING: REFER TO PART NUMBER FOR GOLD
THICKNESS ON MATING SURFACE
50u" [1.27 MICRONS]

MIN. NICKEL UNDERPLATE

AMPHENOL PART NUMBER:

R J E 1 7 - 2 8 8 - 1 X 1 3

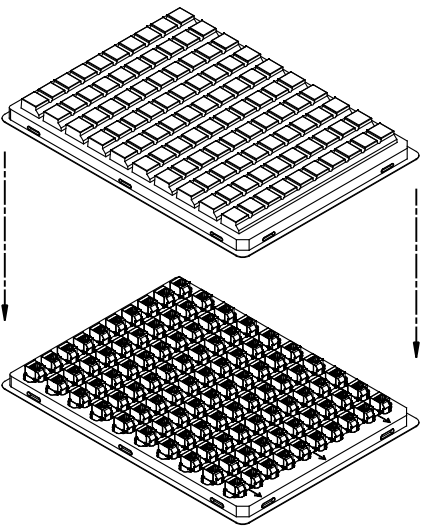
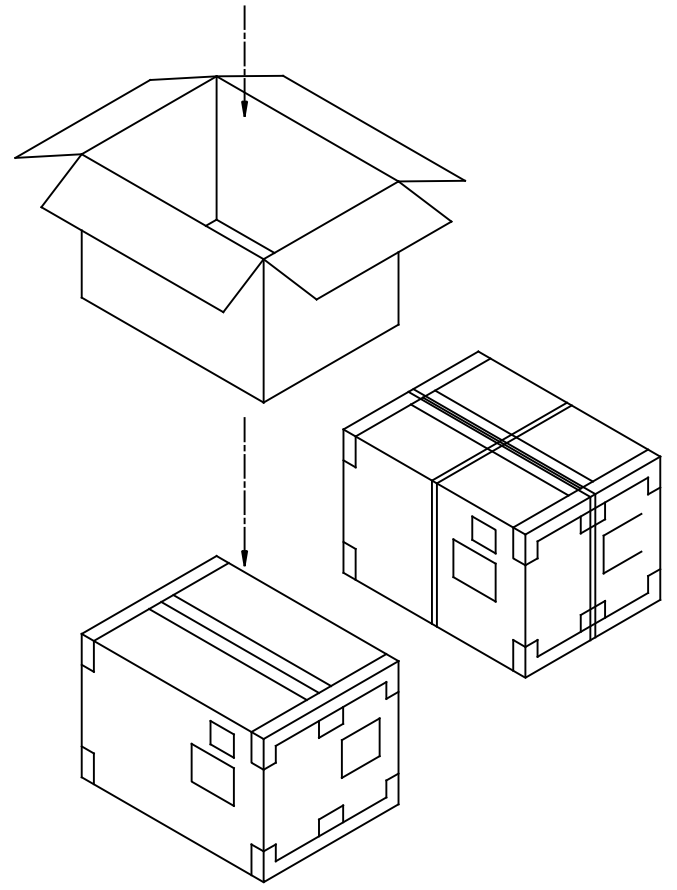
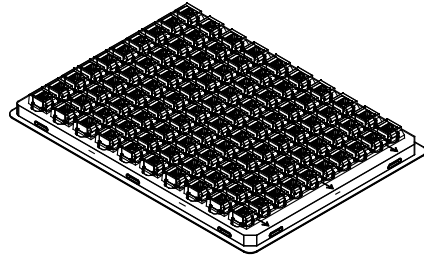
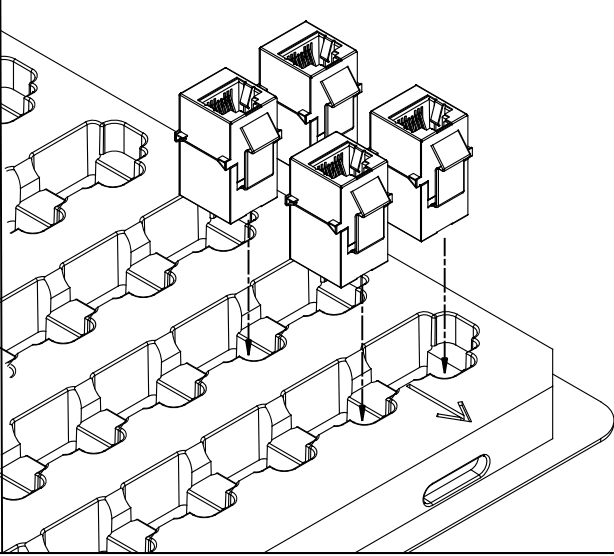
3 = 30u" GOLD

4 = 50u" GOLD

UNLESS SPECIFIED OTHERWISE		DRAWN	LUO W W	DATE	NOV.08/07
PRIMARY UNITS	MILLIMETER	CHECKED	L.CHAN		NOV.08/07
SECONDARY	INCH	M.E. APP'D			
REFERENCE IN PARENTHESES		Q.A. APP'D	JEFF.SUN		NOV.08/07
GENERAL TOLERANCES		DWG APPR.	Boris.Yuan		NOV.08/07
1 DECIMAL PLACE	±0.30	ENG. REL. NO.			
2 DECIMAL PLACES	±0.25	REF.			
3 DECIMAL PLACES	±0.20	THIRD ANGLE PROJECTION			
ANGULAR DEGREES	±1.0°	DO NOT SCALE DRAWING			

Amphenol Canada Corp. Commercial Products	
TITLE	MODULAR JACK, 8 POSITION, 8 CONTACTS, WITH SHIELD, (WITH PANEL LATCH), CAT 5E - RoHS COMPLIANT
DWG. NO.	P-RJE17-288-1X13
CODE ID NO.	03554
DWG SIZE:	C
SCALE:	N/A
SHEET	1 OF 2

REVISIONS			
REV	DESCRIPTION, ECN, EAR NO.	DATE	APP'D
D	PROPOSAL	JUN 15/12	L.CHAN
E	PROPOSAL	NOV 23/18	L.CHAN
F	REMOVE THE LOW PLATING GOLD OPTION	SEP 16/20	L.CHAN



NOTES:

- 100 CONNECTORS PER TRAY,
- 10 TRAYS PER CARTON
- 1000 CONNECTORS PER CARTON.

THIS DOCUMENT CONTAINS PROPRIETARY INFORMATION AND SUCH INFORMATION MAY NOT BE DISCLOSED TO OTHERS FOR ANY PURPOSE OR USED FOR MANUFACTURING PURPOSES WITHOUT WRITTEN PERMISSION FROM AMPHENOL CANADA CORP.

UNLESS SPECIFIED OTHERWISE	DRAWN LUO W W	DATE NOV.08/07
PRIMARY UNITS MILLIMETER	CHECKED L.CHAN	NOV.08/07
SECONDARY INCH	M.E. APP'D	
REFERENCE IN PARENTHESES	Q.A. APP'D JEFF.SUN	NOV.08/07
GENERAL TOLERANCES	DWG APPR. Boris.Yuan	NOV.08/07
1 DECIMAL PLACE ±0.30	ENG. REL. NO.	
2 DECIMAL PLACES ±0.25	REF.	
3 DECIMAL PLACES ±0.20	THIRD ANGLE PROJECTION	DO NOT SCALE DRAWING
ANGULAR DEGREES ±1.0°		

Amphenol Canada Corp. Commercial Products	
TITLE MODULAR JACK, 8 POSITION,8 CONTACTS, WITH SHIELD, (WITH PANEL LATCH),CAT 5E – RoHS COMPLIANT	
DWG. NO. P-RJE17-288-1X13	REV F
CODE ID NO. 03554	DWG SIZE: C SCALE: N/A SHEET 2 OF 2