

PRODUCT NUMBER

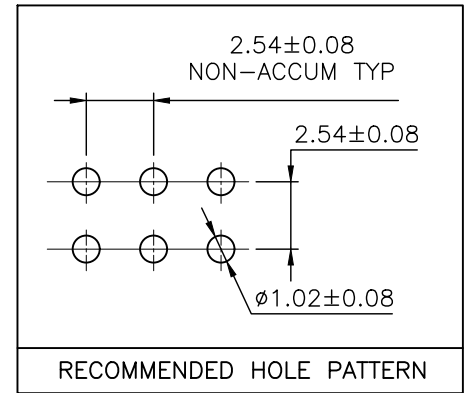
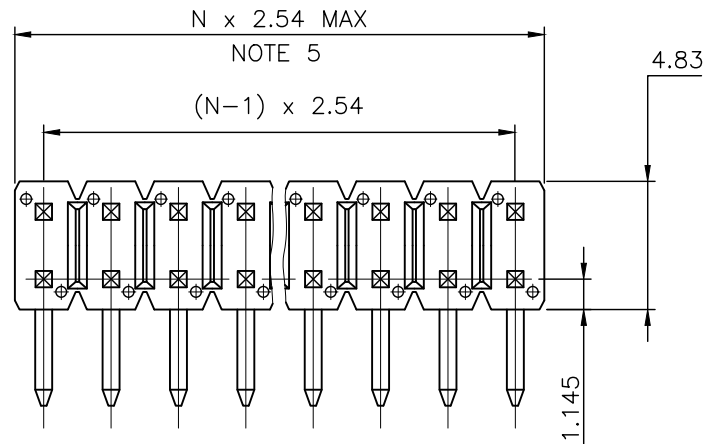
77317-YXX-XXLF

RoHS COMPATIBLE  
SEE NOTE 7

TOTAL NB OF POSITIONS 02 TO 72

PIN STYLE SEE SHEET 2

PLATING SEE SHEET 2



NOTES:

- HOUSING MAT'L : HIGH TEMPERATURE THERMOPLASTIC. UL94V-0 COLOR: BLACK
- PIN MATERIAL : PHOSPHOR BRONZE
- STANDARD PACKAGING IN POLYBAG
- 9N MIN RETENTION IN EITHER DIRECTION
- TO DETERMINE DIMENSIONS :  
N = NUMBER OF POSITIONS PER ROW  
EXAMPLE : 8 POS  $N \times 2.54 = 20.32\text{mm}$
- UNDERPLATING :  $1.27\mu\text{m}$  Ni MIN
- RoHS COMPATIBLE PRODUCT SPECIFICATIONS

a - PLATING:

- "LF" MEANS THE PRODUCT IS LEAD-FREE,  $2\mu\text{m}$  MINIMUM MATTE TIN OVER  $1.27\mu\text{m}$  MINIMUM NICKEL UNDERPLATE.

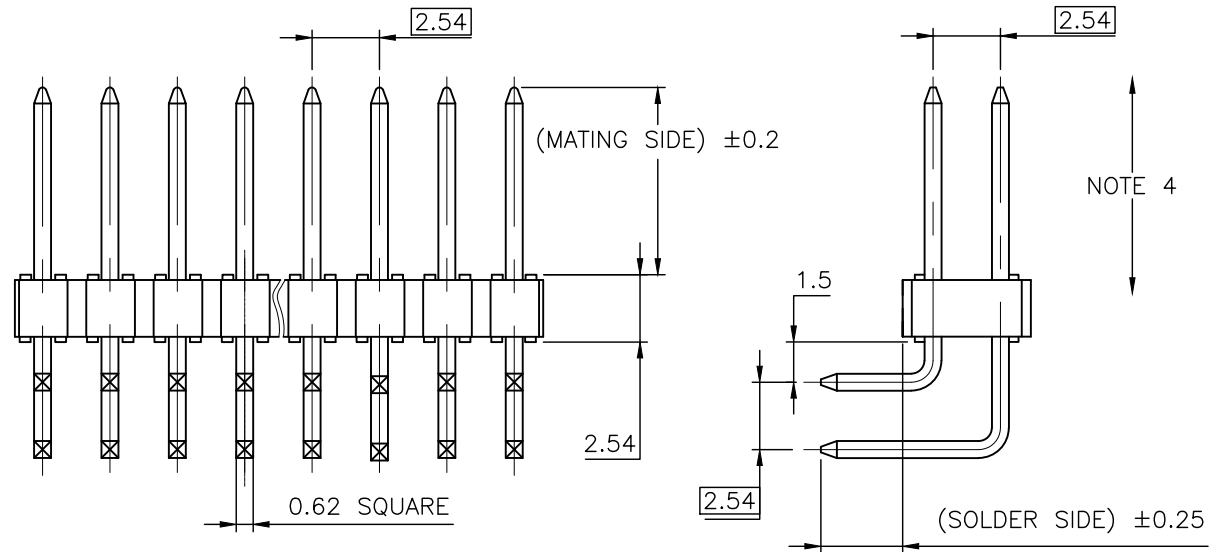
b - MANUFACTURING PROCESS COMPATIBILITY

- THE HOUSING WILL WITHSTAND EXPOSURE TO  $260^\circ\text{C} \pm 5^\circ\text{C}$  SOLDER BATH TEMPERATURE FOR 5 SECONDS IN A WAVE SOLDER APPLICATION WITH A 1.6mm MIN THICK CIRCUIT BOARD.

c - LABELING:

- MEETS PACKAGING SPECS AS PER GS-14-920

d - LEGAL STATEMENT: SEE GS-47-0004



mat'l. code		surface		tolerance		projection		product family	
SEE NOTES		ISO 1302		ISO 406 ISO 1101		mm		BERGSTIK	
ltr	ecn no	dr	date	tolerances unless otherwise specified		mm		title	
AH	B-18916	LMU	14.09.29	angles	linear	mm		UNSHR.HEADER	
AJ	B-19783	AMA	14.12.18			scale 5:1		RA DR TMT	
AK	B-21242	AMA	15.06.25						
AL	F-23305	AMA	16.02.19	dr	D.LE	01.01.24	dwg no		sheet 1 of 2
AM	F-27765	DDE	17.08.21	engr	JM.C	01.01.24	77317		A3
AN	F-29937	DDE	18.04.20	chr	JM.C	01.01.24	type		CUSTOMER Drawing
AP	F-38414	DDE	20.09.18	appd	JF.N	01.01.24			
sheet index	revision	AP	AK						
	sheet	1	2						

PLATING

- 1 = 0.76µm GOLD/GXT ON CONTACT AREA, 2µm TIN MIN ON TAIL
- 4 = 2µm TIN MIN FULL PLATED
- 5 = 0.25µm GOLD/GXT ON CONTACT AREA, 2µm TIN MIN ON TAIL
- 8 = 0.38µm GOLD/GXT ON CONTACT AREA, 2µm TIN MIN ON TAIL
- G = 0.76µm FULL GXT
- S = 0.38µm FULL GXT
- 1.27µm NICKEL MIN UNDERLAYER FOR ALL PLATING VERSIONS

PRODUCTS SPECIFICATIONS		
PIN STYLE	MATING	SOLDER
01	5.72	2.57
03	5.84	2.41
04	5.84	3.05
10	8.07	3.05
12	6.80	3.05
14	10.00	2.70
15	7.00	16.40
16	7.80	13.50
17	7.48	1.60
18	8.80	2.90
19	2.60	2.60
20	N/A	
21	10.89	3.05
22	3.51	3.51
23	7.20	3.05

A

B

C

D

A

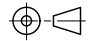

B

C

D

FCJconnect.com

Copyright FCJ

mat'l. code SEE NOTES				surface ISO 1302 <input checked="" type="checkbox"/> ISO 406 ISO 1101		tolerance tolerances unless otherwise specified		projection 		product family BERGSTIK		
ltr	ecn	no	dr	date	angles	linear		mm		title UNSHR.HEADER RA DR TMT		
AG	B-	21242	AMA	15.06.25				.X ±0.3		dwg no		
AH	F-	23305	AMA	16.02.19				.XX ±0.15		sheet 2 of		
AJ	F-	27765	DDE	17.08.21				.XXX ±0.05		size		
AK	F-	29937	DDE	18.04.20	dr	D.LE	01.01.24	scale 5:1		77317		
					engr	JM.C	01.01.24			A3		
AE	F11-	0320	LMU	12.01.25	chr	JM.C	01.01.24			CUSTOMER Drawing		
AF	B-	18916	LMU	14.09.29	appd	JF.N	01.01.24					
sheet	revision											
index	sheet											