

Product/Process Change Notifications



PCN - 18 086

Amphenol Information Communication and Commercial Products Group
www.amphenol-icc.com

Release Date: October 11 2018

Product Name:	D-SUB Connector DW series		
	Male/Female		
Product Manager:	VICY PULAYATH		
Subject:	Notification of Change with Immediate Effectivity		
Distribution:	Affected Customers		
Type of Change:	Documentation Change		
Change Description:	Drawing Updation of the listed part numbers to have correct correlation of dimension and the actual product. Changes include correction of typo errors, Connector view correction in 7W2 type.		
Reason for Change:	Drawings are being updated to match print dimensions to the actual product supplied & drawing Standardization.		
Affected Parts:	See attached Affected parts.xls file		
Effective Date of Change:	November 30, 2018		
Last Time Buy Date:	NA		
Last Disty Return Date:	NA		
Last Time Shipment Date	NA		
Datasheet Attached?	Yes		
Qual/Test Data Attached?	No		
Samples Availability Date:	November	30	2018
Available Alternatives?	Select		
Questions?	<i>Contact your local AFCI Representative, or Product Manager</i>		
	VICY PULAYATH		
	+91 (484) 3391633- Vicy,Pulayath@fci.com		

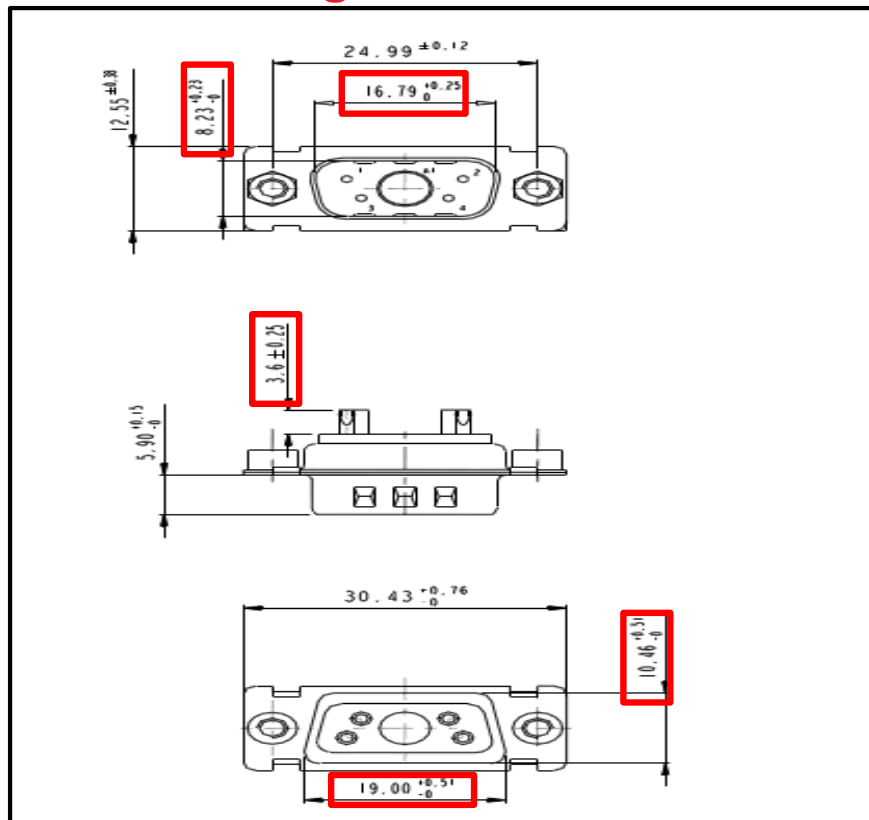
Note:
 Customers should contact Product Manager (or their local AFCI Representative) directly regarding any concern on the PCN.
 Lack of any such customer feedback within three weeks of PCN release date will be interpreted as non-objection .

Engineering Change Notification

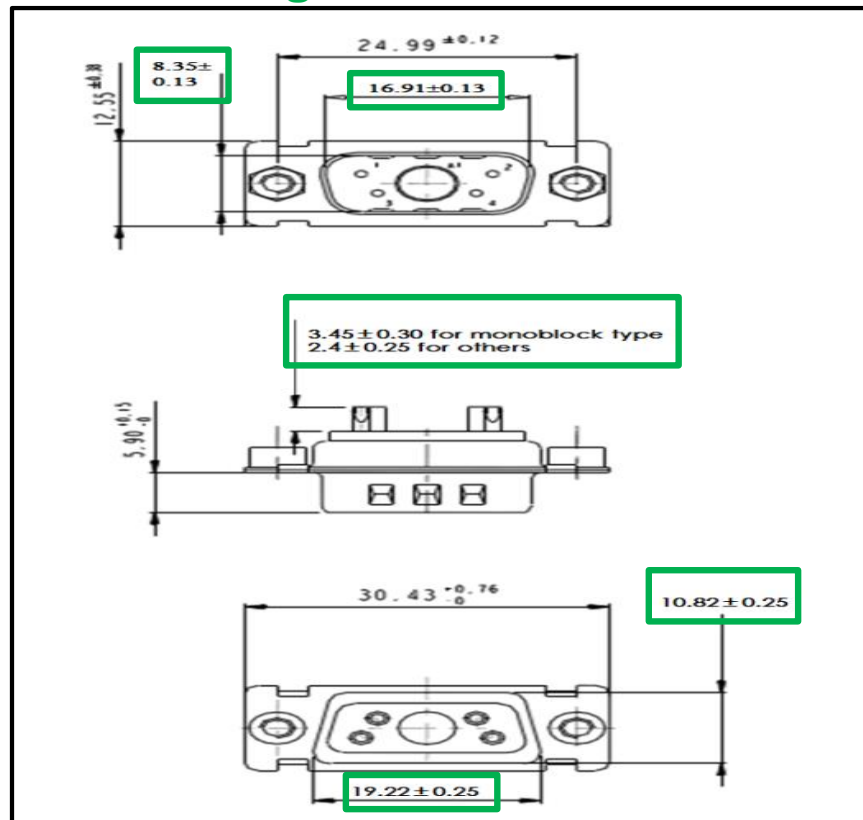
Product: D-Sub DW drawing modification

Site CCB No./Global PCN No. COK-028-18

Before Change



After Change



Description of Change: ➤ Typographical errors in Dimensions are corrected to match with actual

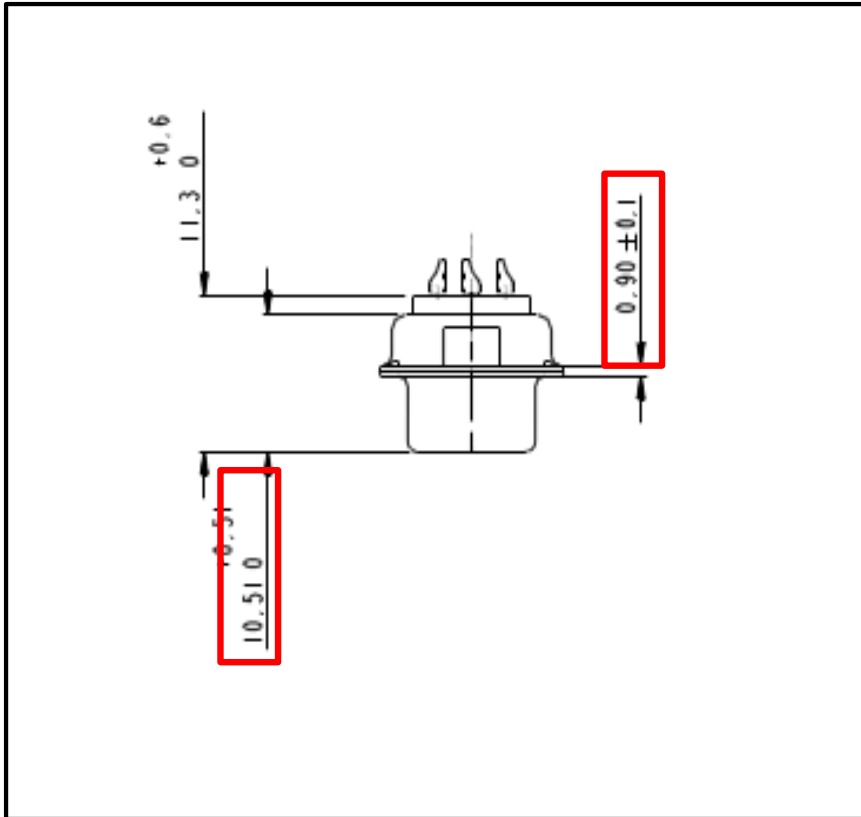
Implementation Date: 30th Nov'18

Engineering Change Notification

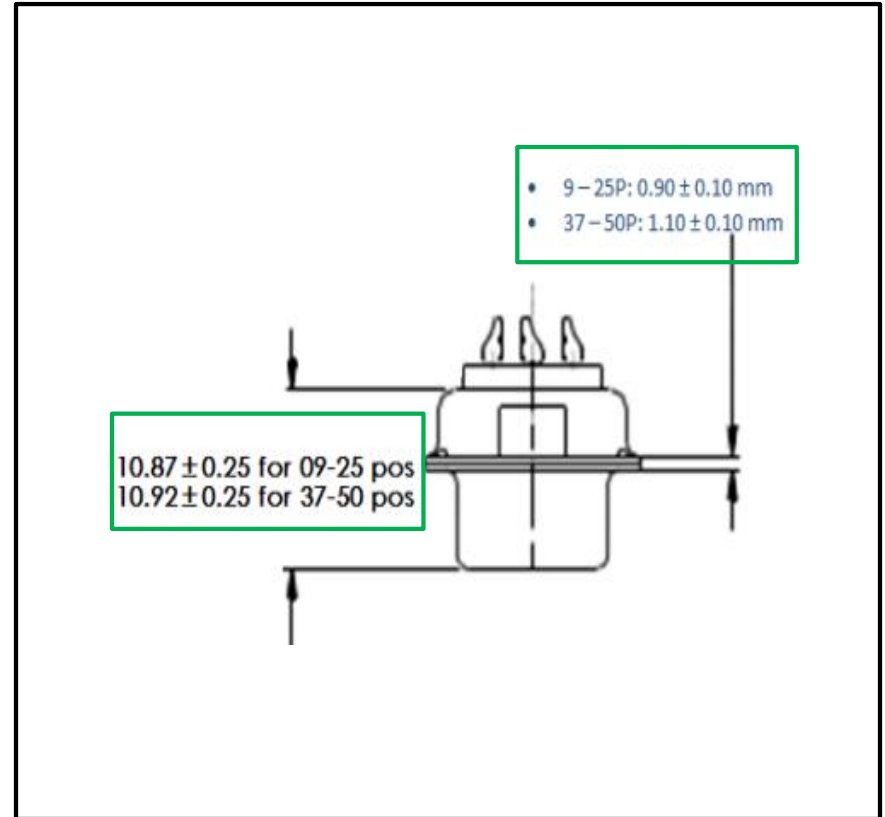
Product: D-Sub DW drawing modification

Site CCB No./Global PCN No. COK-028-18

Before Change



After Change



Description of Change: ➤ Typographical errors in Dimensions are corrected to match with actual

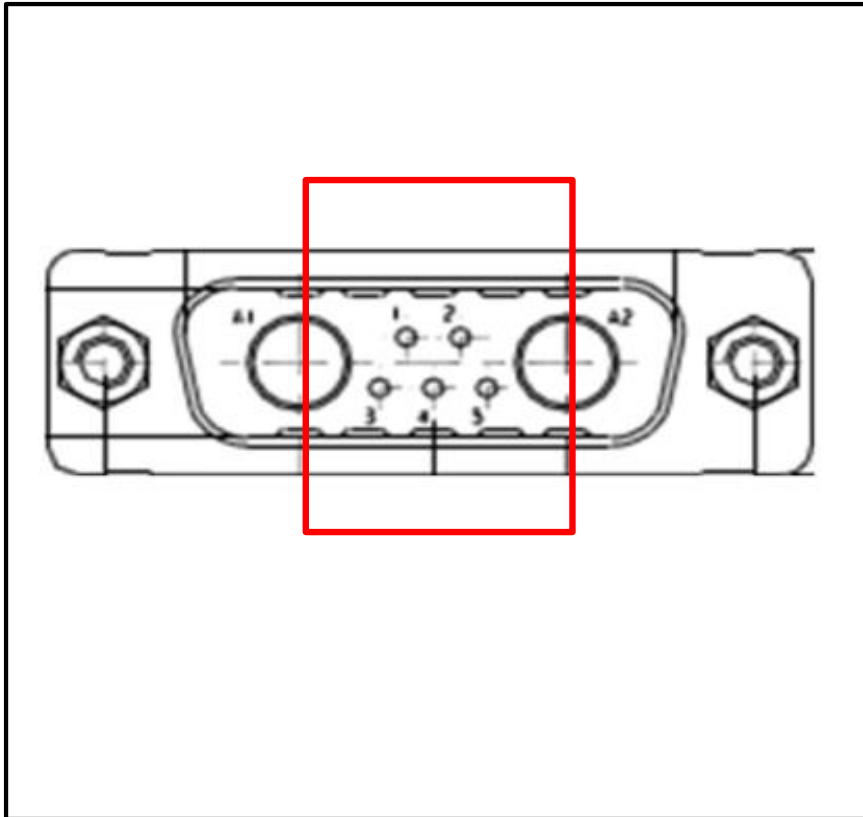
Implementation Date: 30th Nov'18

Engineering Change Notification

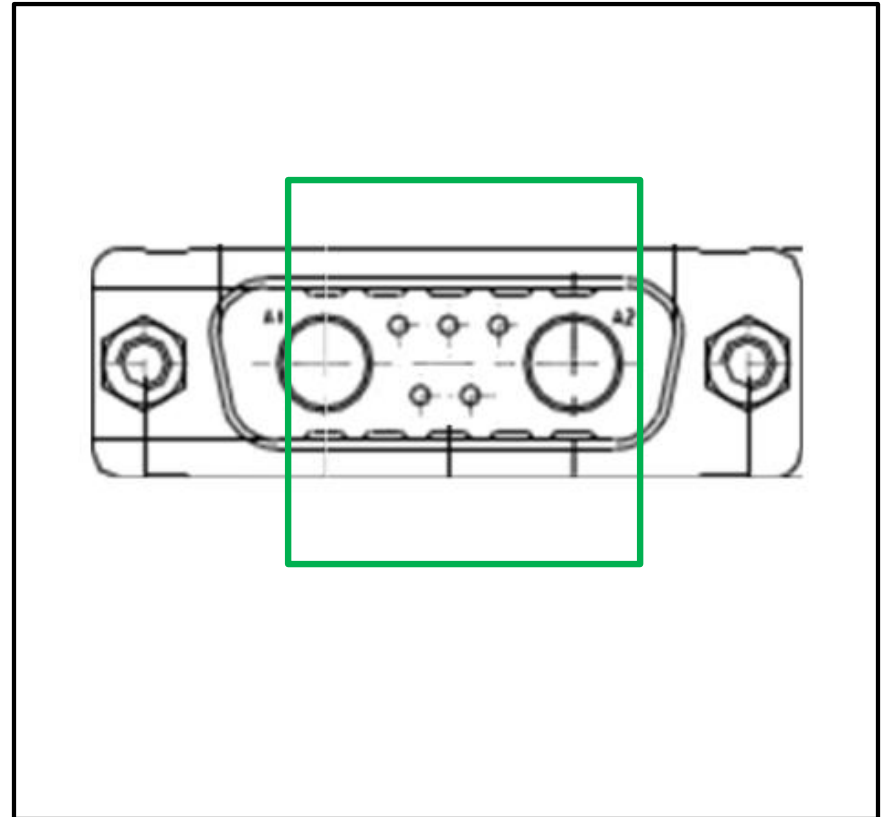
Product: D-Sub DW drawing modification

Site CCB No./Global PCN No. COK-028-18

Before Change



After Change



Description of Change: Drawing view corrected for 7W2

Implementation Date: 30th Nov'18

Engineering Change Notification

Product: D-Sub DW drawing modification



Site CCB No./Global PCN No. COK-028-18

Before Change

ENVIRONMENTAL CHARACTERISTICS

- CLIMATIC CATEGORY: 55/125/21

TEMPERATURE RANGE -55°C TO +125°C

DAMP HEAT STEADY STATE 21 DAYS

SALT SPRAY 48 HOURS

NOTE RoHS INFORMATION

- The "LF" products meet european union Directives and other country regulations as described in GS-22-008.
- Termination plating spec:
Ni + Gold
- Active area plating spec:
Ni + Gold
- Shell plating : 2 to 4µm Cu + Ni + 3 to 10µm Sn, pure bright
Accessories: Sn pure bright + nickel
- Packaging spec: See GS-14-920

After Change

ENVIRONMENTAL CHARACTERISTICS

- CLIMATIC CATEGORY: 55/125/21

TEMPERATURE RANGE -55°C TO +125°C

DAMP HEAT STEADY STATE 21 DAYS

SALT SPRAY 24 HOURS

NOTE RoHS INFORMATION

- The "LF" products meet european union Directives and other country regulations as described in GS-47-0004
- Termination plating spec:
Ni + Gold/GxT
- Active area plating spec:
Ni + Gold/GxT
- Shell plating : 1.5 to 4µm Cu + Ni + 3 to 10µm Sn, pure bright
Accessories: Sn pure bright + nickel
- Packaging spec: See GS-14-920

Description of Change: ➤ Salt spray note corrected to 24 hours
➤ Plating note correction

Implementation Date: 30th Nov'18