

## Product/Process Change Notifications



# PCN - 19 061

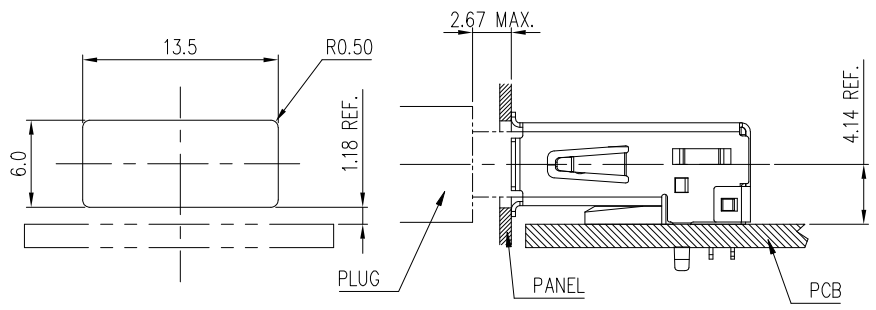
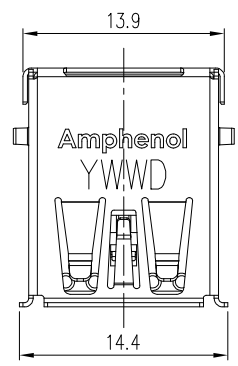
Amphenol Information Communication and Commercial Products Group  
[www.amphenol-icc.com](http://www.amphenol-icc.com)

Release Date: July 23 2019

<b>Product Name:</b>	USB		
	USB 3.0		
<b>Product Manager:</b>	Tracy Zhou		
<b>Subject:</b>	Notification of Planned Change		
<b>Distribution:</b>	Global		
<b>Type of Change:</b>	End-of-Life		
<b>Change Description:</b>	End of Life of selected USB 3.0 series connectors with replacement part numbers only for three part number series 10117835, 10132411 and 10128625		
<b>Reason for Change:</b>	Supply chain complexities makes it is unviable to continue supporting of product series.		
<b>Affected Parts:</b>	See Affected parts.xls		
<b>Effective Date of Change:</b>	July 30, 2020		
<b>Last Time Buy Date:</b>	January 30, 2020		
<b>Last Disty Return Date:</b>	October 30, 2019		
<b>Last Time Shipment Date</b>	January 30, 2021		
<b>Datasheet Attached?</b>	Yes		
<b>Qual/Test Data Attached?</b>	NA		
<b>Samples Availability Date:</b>	NA	Select	Select
<b>Available Alternatives?</b>	Yes		
<b>Questions?</b>	<i>Contact your local FCI Representative, or Product Manager</i>		
	<i>Tracy Zhou</i>		
	<i>Tracy.Zhou@FCI.com</i>		

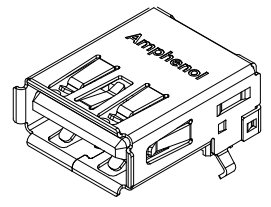
Note:  
 Customers should contact Product Manager (or their local AICC Representative) directly regarding any concern on the PCN.  
 Lack of any such customer feedback within three weeks of PCN release date will be interpreted as non-objection .





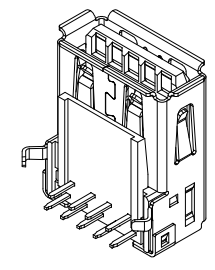
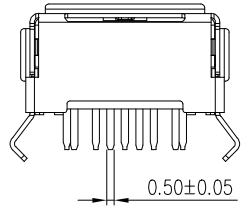
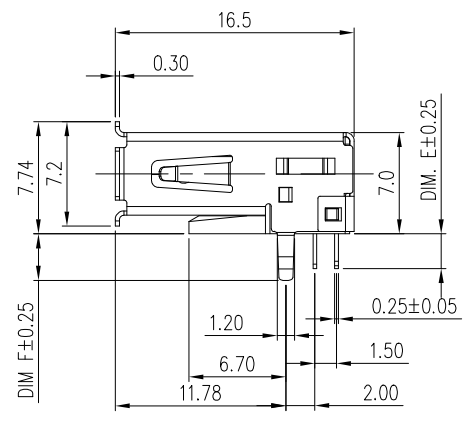
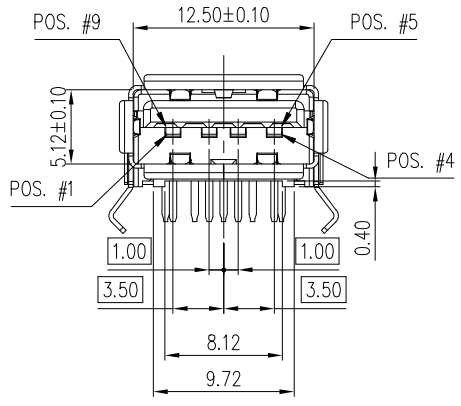
RECOMMENDED PANEL CUT OUT

- NOTES:
- HOUSING: HIGH TEMPERATURE THERMOPLASTI OPTIONS UL 94V-0 COLOR-OPTIONS
  - BOTTOM COVER: HIGH TEMPERATURE THERMOPLASTIC, UL 94V-0, COLOR:OPTIONS
  - CONTACT: COPPER ALLOY, 0.25mm THICKNESS, SELECTIVE GOLD PLATING ON CONTACT AREA, 120μ" MIN. MATTE TIN PLATED ON SOLDERING TAIL, 80μ" MIN. NICKEL UNDER-PLATED OVERALL
  - METAL SHELL: COPPER ALLOY, 0.3mm THICKNESS, 50μ" MIN. NICKEL UNDER-PLATED OVERALL
  - THIS PRODUCT DOESN'T CONTAIN ENVIRONMENTAL HAZARDOUS PER DIRECTIVE 2011/65/EU FOR RoHS COMPLIANT.



PIN #	SIGNAL NAME
1	VBUS
2	D-
3	D+
4	GND
5	SSRX-
6	SSRX+
7	GND_DRAIN
8	SSTX-
9	SSTX+
SHELL	SHIELD

PIN ASSIGNMENT



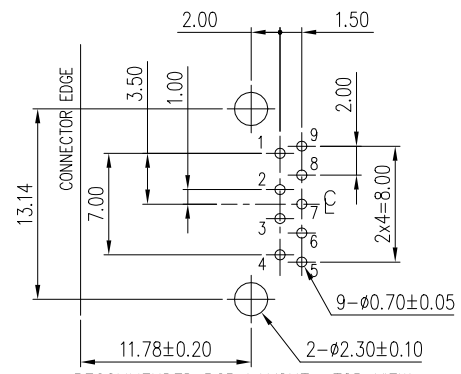
PART NUMBER CODE:  
10153890-X X X X LF

- PLATING OPTION ON CONTACT AREA
- 1: Gold Flash
  - 2: 15u" Gold
  - 3: 30u" Gold

- PACKAGE TYPE
- 0: TRAY
  - 1: TAPE & REEL

- HOUSING COLOR
- 1: BLUE
  - 2: BLACK

- TAIL LENGTH OPTION
- 1: DIM.E=2.40mm DIM.F=3.20mm
  - 2: DIM.E=3.00mm DIM.F=3.60mm
  - 3: DIM.E=2.17mm DIM.F=3.20mm



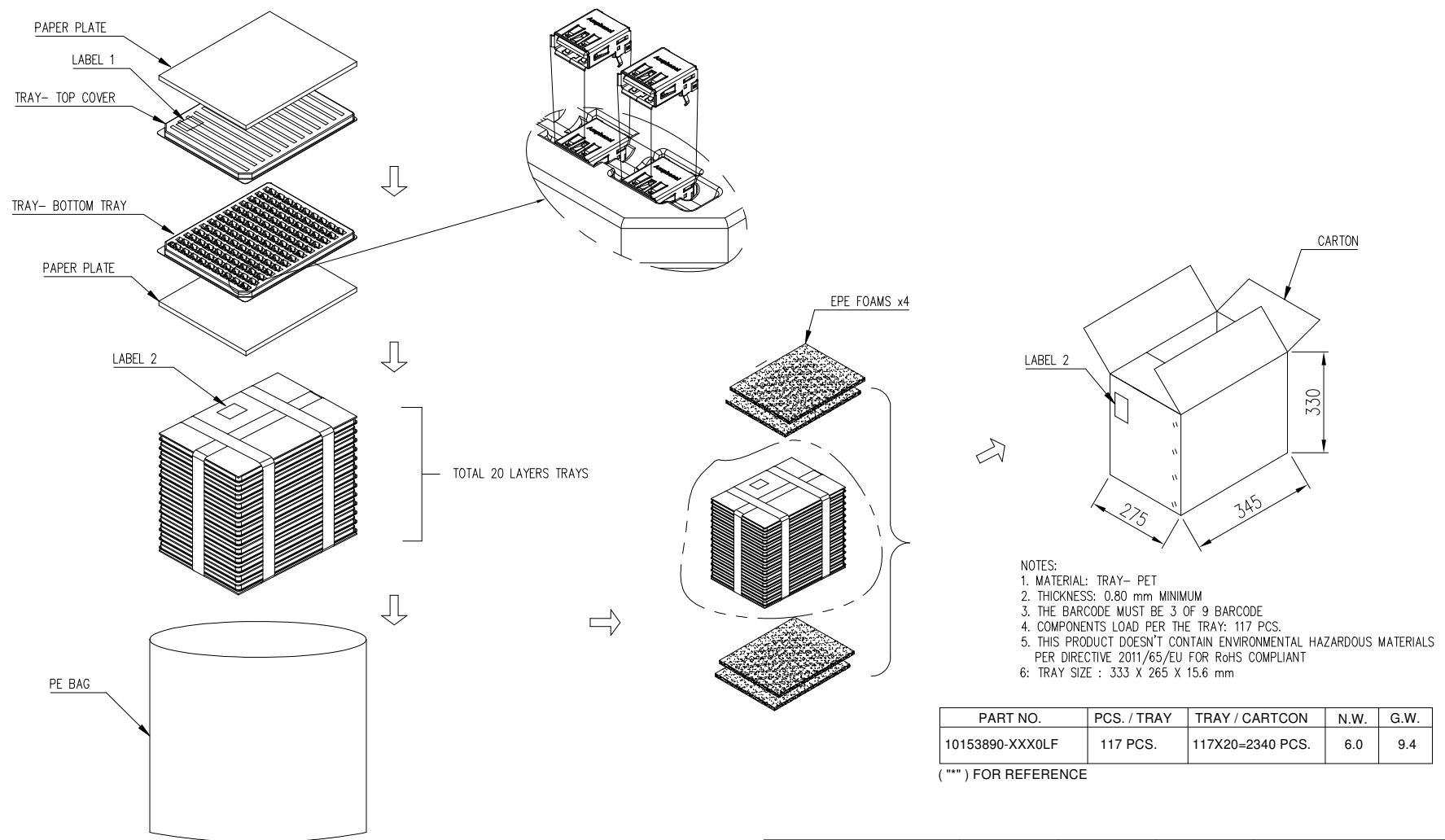
RECOMMENDED PCB LAYOUT- TOP VIEW  
(OTHER GENERAL TOLERANCES: ±0.05)

mat'l. code		surface	tolerance	projection	product family
ISO 1302		ISO 406	ISO 1101	HPL 511	
ltr	ecn no	dr	date	tolerances unless otherwise specified	title
1	-	YY	2019/07/17	angles	USB 3.0 Rec.
				linear	STANDARD A R/A DIP TYPE
				0±2'	dwg no
				dr Yuan-Yuan Bao 2019/07/17	sheet 1 of 3
				eng Yuan-Yuan Bao 2019/07/17	size
				chr Li-Qing Lei 2019/07/17	10153890
				appd Tim Yao 2019/07/17	A3
type Product Customer Drawing					
sheet index	revision sheet				

AFCI CONFIDENTIAL

Amphenol  
FCI

This document is the property of and embodies CONFIDENTIAL and PROPRIETARY information of AFCI. No part of the information shown on this document may be used in any way or disclosed to others without the written consent of AFCI.



- NOTES:
1. MATERIAL: TRAY- PET
  2. THICKNESS: 0.80 mm MINIMUM
  3. THE BARCODE MUST BE 3 OF 9 BARCODE
  4. COMPONENTS LOAD PER THE TRAY: 117 PCS.
  5. THIS PRODUCT DOESN'T CONTAIN ENVIRONMENTAL HAZARDOUS MATERIALS PER DIRECTIVE 2011/65/EU FOR RoHS COMPLIANT
  6. TRAY SIZE : 333 X 265 X 15.6 mm

PART NO.	PCS. / TRAY	TRAY / CARTCON	N.W.	G.W.
10153890-XXX0LF	117 PCS.	117X20=2340 PCS.	6.0	9.4

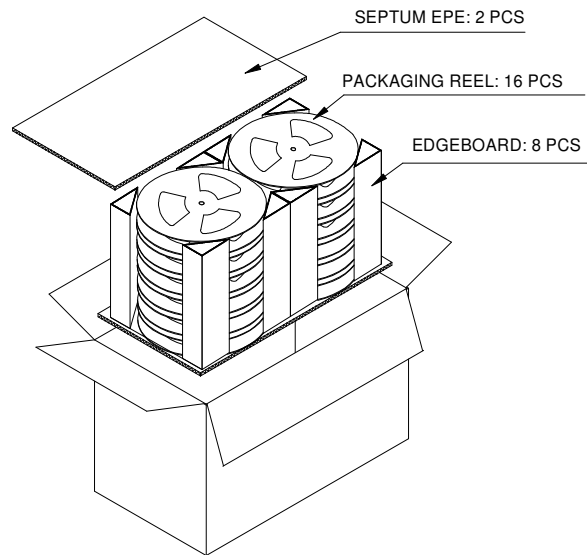
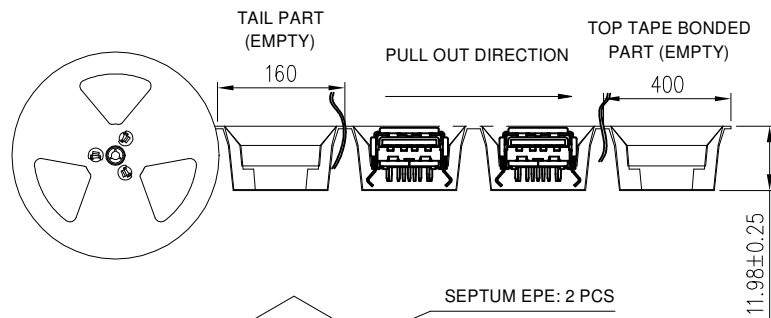
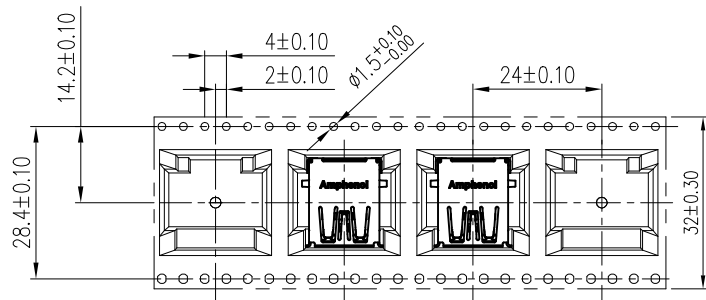
("") FOR REFERENCE

mat'l. code		surface	tolerance	projection	product family
ISO 1302		ISO 406	ISO 1101	HPL 511	
ltr	ecn no	dr	date	title	
1	-	YY	2019/07/17	USB 3.0 Rec. STANDARD A R/A DIP TYPE	
		angles	linear	mm	dwg no
		0°±2'	.0±.35 .00±.25 .000±.15	scale 1:1	sheet2 of 3
		dr	Yuan-Yuan Bao	2019/07/17	size
		eng	Yuan-Yuan Bao	2019/07/17	A3
		chr	Li-Qing Lei	2019/07/17	10153890
		appd	Tim Yao	2019/07/17	type
		revision			Product Customer Drawing
sheet index	revision sheet				

AFCI CONFIDENTIAL

Amphenol  
FCI

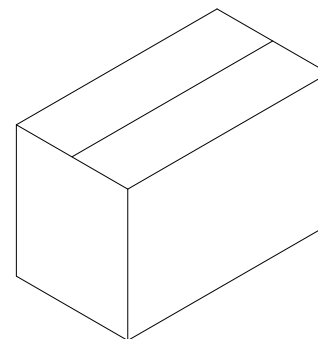
This document is the property of and embodies CONFIDENTIAL and PROPRIETARY information of AFCI. No part of the information shown on this document may be used in any way or disclosed to others without the written consent of AFCI.



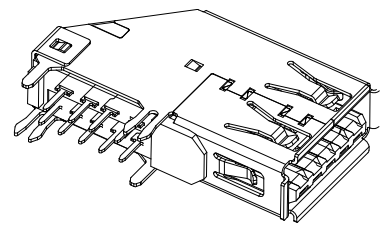
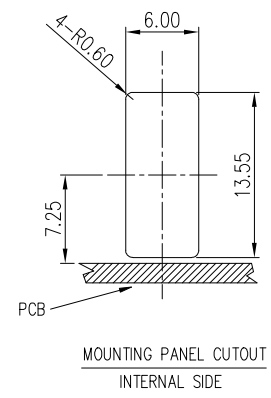
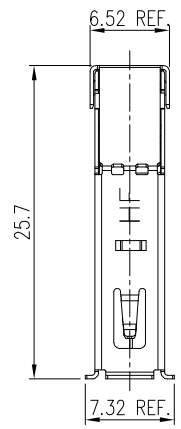
REEL SIZE	PARTS PER CARTON<S.P.Q>	PARTS PER REEL	TOTEL REEL PER CARTON
φ330	3520	220	16

NOTES:

1. STAPLES SHOULD ONLY BE USED TO SET UP CARTON. ALL CARTON CLOSURES MUST BE DONE WITH TAPE.
2. FILL PACKAGING TRAYS WITH THE QUANTITIES AS INDICATED IN THE CHART.
3. SHIPPING CARTON DIMENSION: 690 X 360 X 325mm.
4. NET WEIGHT: 8.4 KG. GROSS WEIGHT: XX KG.

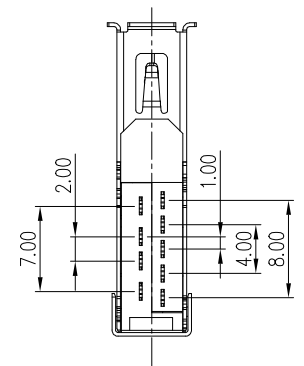
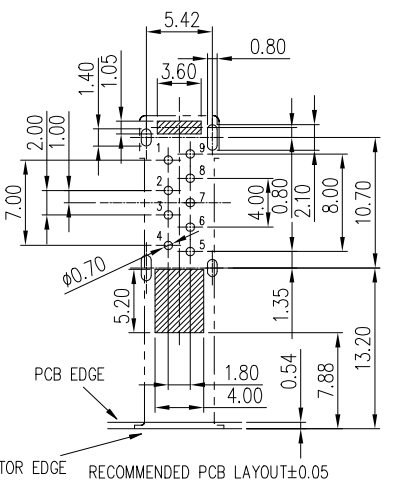
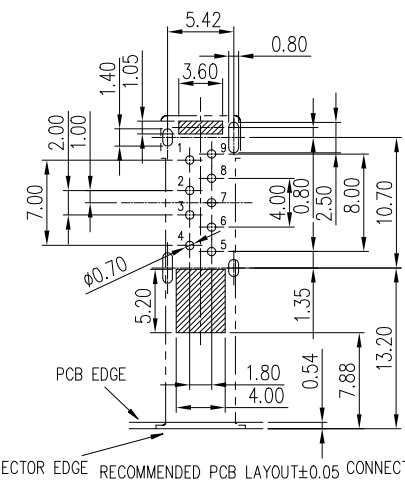
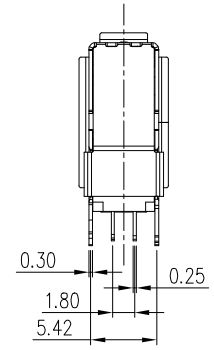
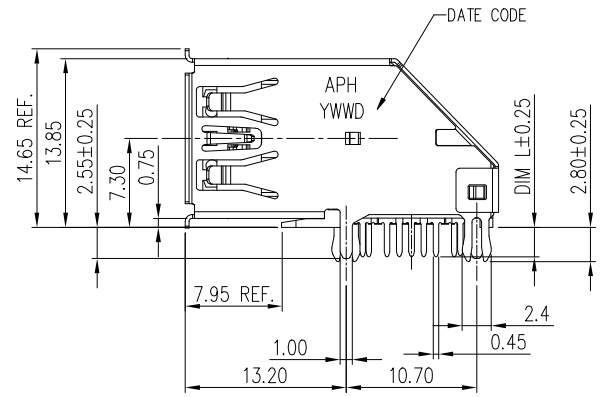
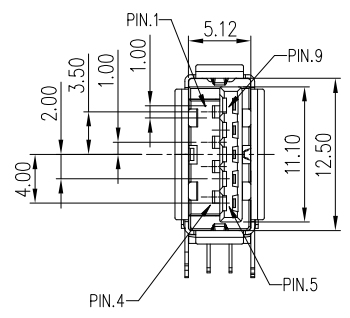


mat'l. code		surface ISO 1302 ✓	tolerance ISO 406 ISO 1101	projection 1101	product family HPL 511
ltr	ecn no	dr	date	tolerances unless otherwise specified	title
1	-	YY	2019/07/17	angles linear	USB 3.0 Rec. STANDARD A R/A DIP TYPE
				0°±2'	mm
				.0±.35	scale 1:1
				.00±.25	
				.000±.15	
		dr	Yuan-Yuan Bao	2019/07/17	
		eng	Yuan-Yuan Bao	2019/07/17	
		chr	Li-Qing Lei	2019/07/17	
		appd	Tim Yao	2019/07/17	
sheet index	revision sheet				title USB 3.0 Rec. STANDARD A R/A DIP TYPE dwg no 10153890 type Product Customer Drawing



Pin Number	Signal Name
1	VBUS
2	D-
3	D+
4	GND
5	SSRX-
6	SSRX+
7	GND_DRAIN
8	SSTX-
9	SSTX+
Shell	Shield

- NOTES:
- MATERIAL:  
HOUSING: HIGH TEMPERATURE THERMAL PLASTIC, UL94V-0. COLOR: OPTIONS  
TERMINAL: COPPER ALLOY.  
SHELL: STEEL.
  - FINISH:  
TERMINAL:  
CONTACT AREA: SELECTIVE GOLD PLATING;  
SOLDERING AREA: MATTE TIN PLATING 100 μ" THICKNESS MIN.;  
UNDER PLATING: NICKEL PLATING 50 μ" THICKNESS MIN.OVERALL.  
SHELL:  
NICKEL PLATING 50 μ" THICKNESS MIN.OVERALL.
  - THIS PRODUCT IS FOR WAVE SOLDERING ONLY.
  - THIS PRODUCT DOESN'T CONTAIN ENVIRONMENTAL HAZARDOUS PER DIRECTIVE 2011/65/EU FOR RoHS COMPLIANT.



PART NUMBER CODE:  
10153892-X X X X LF

PLATING OPTION ON CONTACT AREA:  
1: Gold Flash  
2: 15u" Gold  
3: 30u" Gold

HOUSING COLOR:  
1: BLUE  
2: BLACK

PACKAGE TYPE:  
0: TRAY  
1: TAPE & REEL

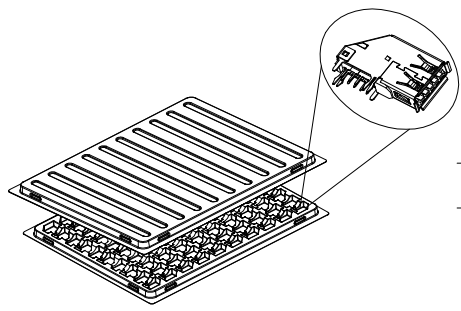
DIML:  
1: 2.40mm  
2: 3.50mm

mat'l. code		surface ISO 1302		tolerance ISO 406		projection ISO 1101		product family HPL 511	
ltr	ecn no	dr	date	tolerances unless otherwise specified		mm		title	
1	-	YY	2019/07/17	angles	.0±.35	mm		USB 3.0 Rec. A TYPE, UPRIGHT, DIP	
				linear	.00±.25	scale 1:1		dwg no sheet 1 of 3 size	
				0±2'	.000±.15			10153892 A3	
		dr	Yuan-Yuan Bao	2019/07/17			type Product Customer Drawing		
		eng	Yuan-Yuan Bao	2019/07/17					
		chr	Li-Qing Lei	2019/07/17					
		appd	Tim Yao	2019/07/17					
sheet index	revision sheet								

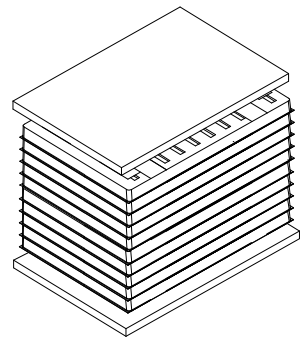
AFCI CONFIDENTIAL

Amphenol  
FCI

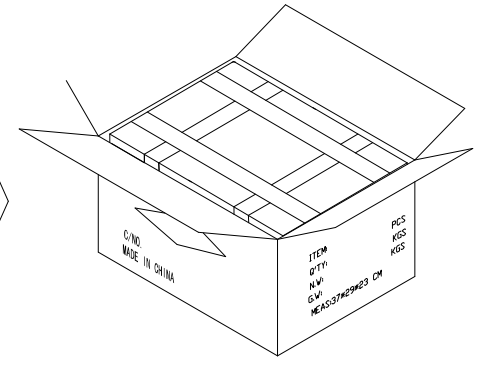
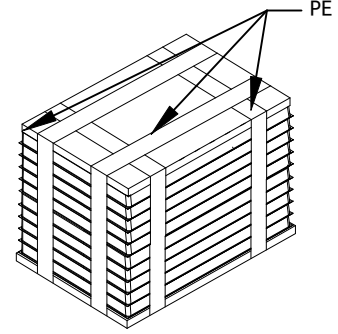
This document is the property of and embodies CONFIDENTIAL and PROPRIETARY information of AFCI. No part of the information shown on this document may be used in any way or disclosed to others without the written consent of AFCI.



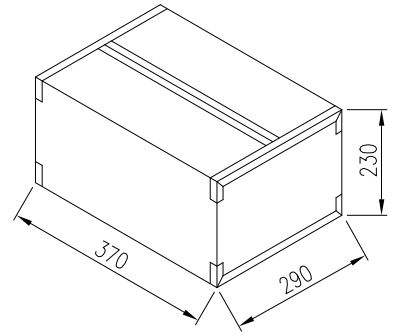
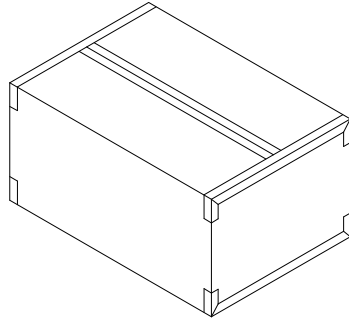
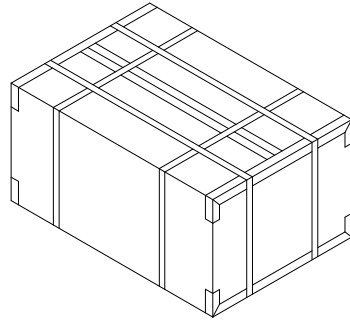
100 PCS/ TRAY



10 TRAYS



10 TRAYS X 2 IN CARTON



PACKAGING BY TRAY	9.5	6.4	100	20	2000	10153892-XXXOLF
	G/W KG	N/W KG	PCS/ TRAY	TRAYS/ BOX	QUANTITY (PCS)	PART NUMBER

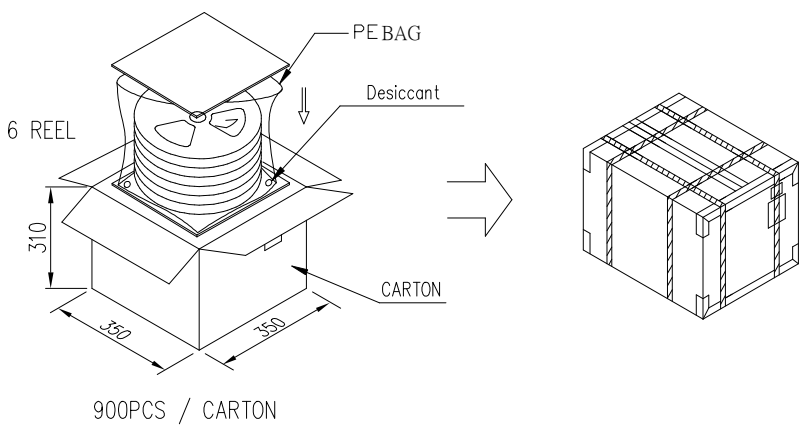
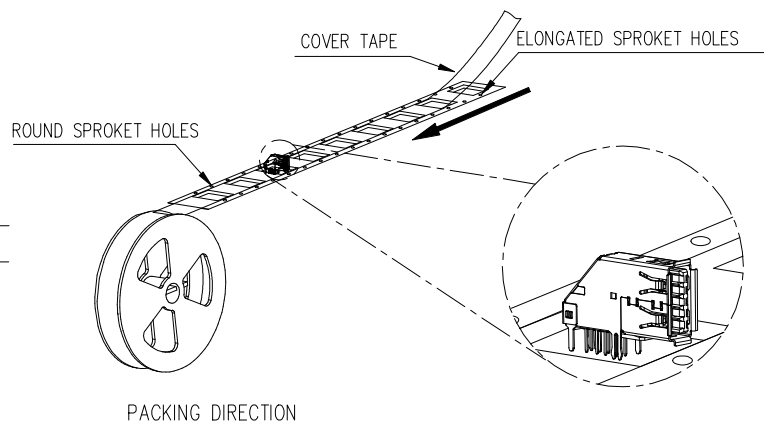
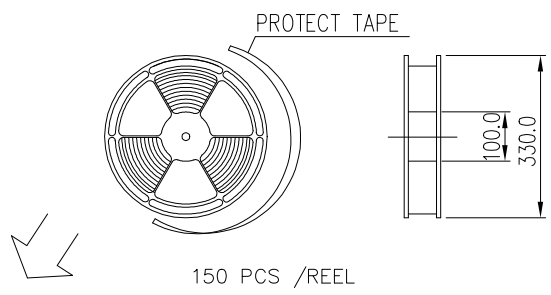
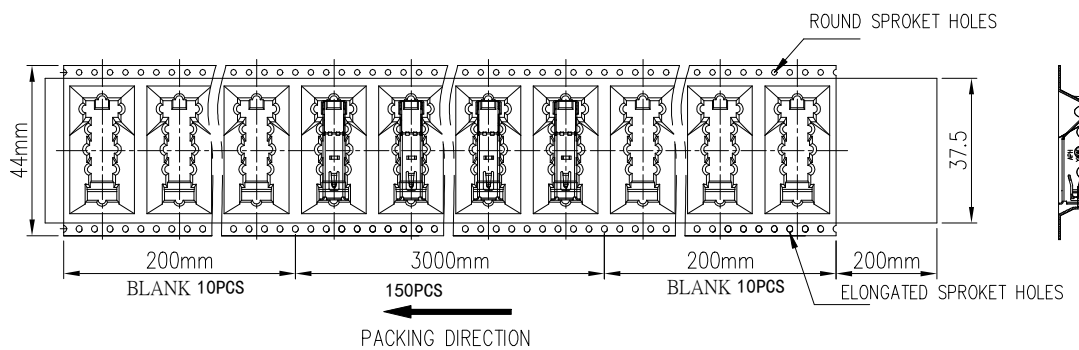
mat'l. code		surface ISO 1302 ✓		tolerance ISO 406 ISO 1101		projection 1101		product family HPL 511	
ltr	ecn no	dr	date	tolerances unless otherwise specified		title		sheet 2 of 3	
1	-	YY	2019/07/17	angles	linear	mm		USB 3.0 Rec. A TYPE, UPRIGHT, DIP	
				0°±2'		scale 1:1		dwg no 10153892	
				dr	Yuan-Yuan Bao	2019/07/17	Amphenol FCI	size A3	
				eng	Yuan-Yuan Bao	2019/07/17		type Product Customer Drawing	
				chr	Li-Qing Lei	2019/07/17			
				appd	Tim Yao	2019/07/17			

sheet index	revision sheet																		
-------------	----------------	--	--	--	--	--	--	--	--	--	--	--	--	--	--	--	--	--	--

AFCI CONFIDENTIAL

Amphenol  
FCI

This document is the property of and embodies CONFIDENTIAL and PROPRIETARY information of AFCI. No part of the information shown on this document may be used in any way or disclosed to others without the written consent of AFCI.



PACKAGING BY T&R	7.45	2.96	150	6	900	10153892-XXX1LF
	G/W KG	N/W KG	PCS/ REEL	REELS BOX	QUANTITY (PCS)	PART NUMBER

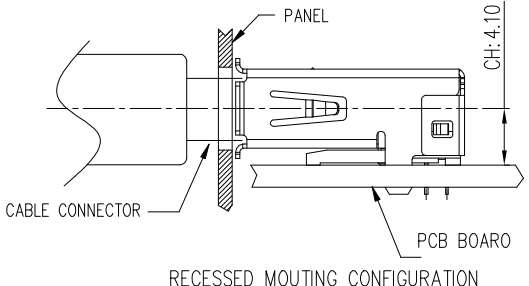
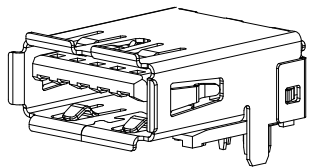
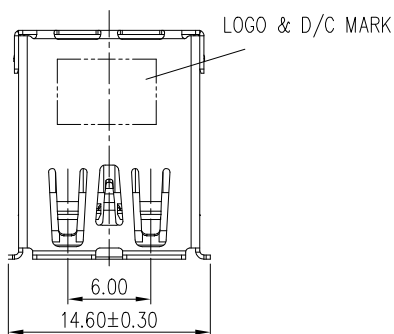
mat'l. code		surface ISO 1302	tolerance ISO 406	projection ISO 1101	product family HPL 511	
ltr	ecn no	dr	date	tolerances unless otherwise specified	title	
1	-	YY	2019/07/17	angles linear	USB 3.0 Rec. A TYPE, UPRIGHT, DIP	
				0±2'	mm	scale 1:1
		dr	Yuan-Yuan Bao	2019/07/17	dwg no sheet 3 of 3 size	
		eng	Yuan-Yuan Bao	2019/07/17	10153892 A3	
		chr	Li-Qing Lei	2019/07/17	type Product Customer Drawing	
		appd	Tim Yao	2019/07/17		
sheet index	revision sheet					



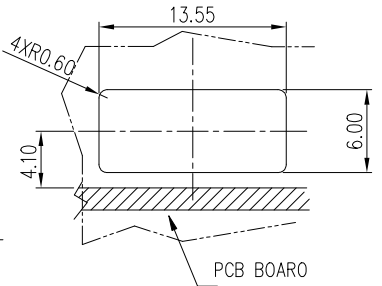
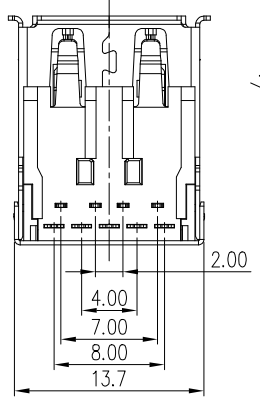
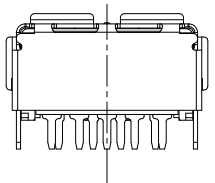
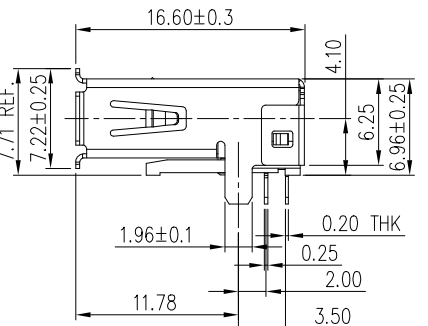
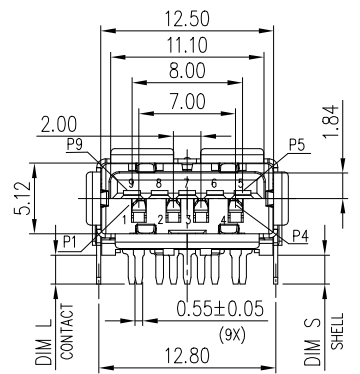
AFCI CONFIDENTIAL

Amphenol  
FCI

This document is the property of and embodies CONFIDENTIAL and PROPRIETARY information of AFCI. No part of the information shown on this document may be used in any way or disclosed to others without the written consent of AFCI.



RECESSED MOUNTING CONFIGURATION



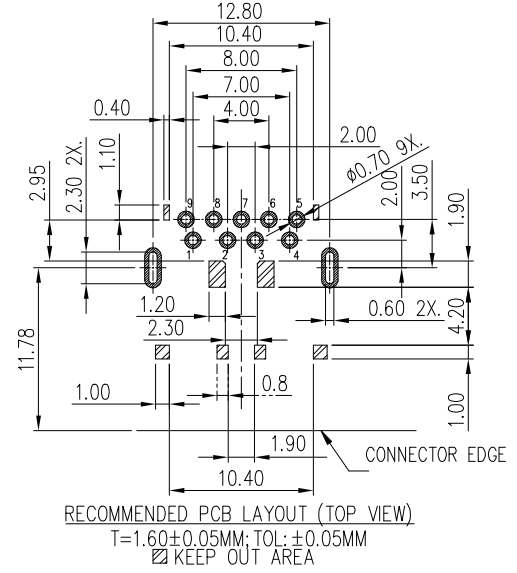
MOUNTING PANEL CUTOUT (INTERNAL SIDE)

- PLATING OPTION ON CONTACT AREA
- 1: Gold Flash
  - 2: 15u" Gold
  - 3: 30u" Gold

- PART NUMBER CODE: 10153894-X X X X LF
- HOUSING COLOR
    - 1: BLUE
    - 2: BLACK
  - PACKAGE TYPE
    - 1: TAPE & REEL
  - DIM.L / DIM.S
    - 1: 3.30mm/3.30mm
    - 2: 2.10mm/2.10mm

NOTES:

1. MATERIAL:
  - HOUSING: THERMOPLASTIC, PA9T, UL94V-0, COLOR: OPTIONS
  - COVER: THERMOPLASTIC, PA9T, UL94V-0, COLOR: OPTIONS
  - TERMINAL 5PIN: BRASS.
  - TERMINAL 4PIN: PHOSPHOR BRONZE,
  - SHELL: STEEL.
2. FINISH:
  - TERMINAL:
    - CONTACT AREA: SELECTIVE GOLD PLATING .;
    - SOLDERING AREA: MATTE TIN PLATING 100 μ" THICKNESS MIN.;
    - UNDER PLATING: NICKEL PLATING 50 μ" THICKNESS MIN. OVERALL.
  - SHELL:
    - NICKEL PLATING 50 μ" THICKNESS MIN. OVERALL.
3. PRODUCT SPECIFICATION REFER TO : PS-7425
4. THIS PRODUCT DOESN'T CONTAIN ENVIRONMENTAL HAZARDOUS PER DIRECTIVE 2011/65/EU FOR RoHS COMPLIANT.



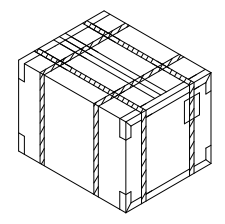
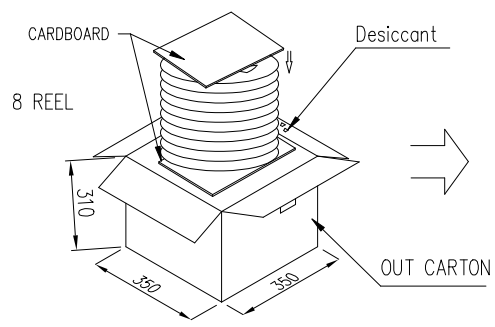
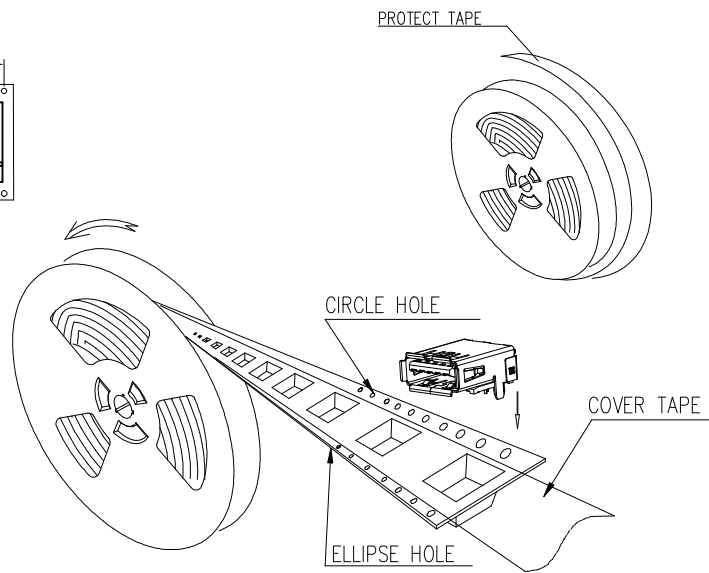
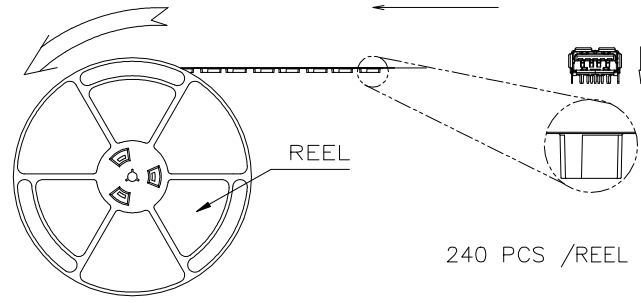
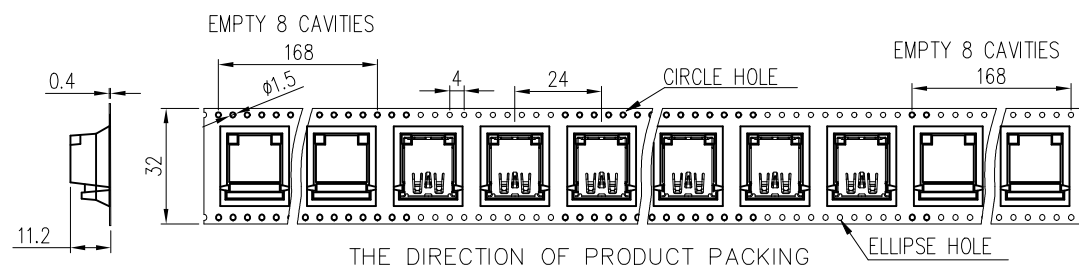
RECOMMENDED PCB LAYOUT (TOP VIEW)  
T=1.60±0.05MM; TOL: ±0.05MM  
KEEP OUT AREA

mat'l. code		surface ISO 1302 ✓		tolerance ISO 406 ISO 1101		projection		product family	
ltr		ecn no		dr		date		HPL 511	
1		-		YY		2019/07/17		title	
								USB 3.0 Rec.	
								A TYPE, R/A, DIP	
								dwg no	
								sheet 1 of 2	
								size	
								A3	
								type	
								Product Customer Drawing	
sheet index		revision sheet							

AFCI CONFIDENTIAL

Amphenol  
FCI

This document is the property of and embodies CONFIDENTIAL and PROPRIETARY information of AFCI. No part of the information shown on this document may be used in any way or disclosed to others without the written consent of AFCI.



PACKAGING BY T&R	8.3	4.7	240	8	1920	10153894-XXX1LF
	G/W	N/W	PCS/	REELS/	QUANTITY (PCS)	PART NUMBER

mat'l. code		surface ISO 1302 ✓		tolerance ISO 406 ISO 1101		projection		product family	
ltr		ecn no		dr		date		title	
1		-		YY		2019/07/17		HPL 511	
								USB 3.0 Rec. A TYPE, R/A, DIP	
								dwg no	
								10153894	
								sheet 2 of 2	
								size A3	
								type Product Customer Drawing	

sheet index	revision sheet																			
-------------	----------------	--	--	--	--	--	--	--	--	--	--	--	--	--	--	--	--	--	--	--