

IGLOO Low-Power Flash FPGAs with Flash*Freeze Technology



Features and Benefits

Low Power

- 1.2 V to 1.5 V Core Voltage Support for Low Power
- Supports Single-Voltage System Operation
- 5 μ W Power Consumption in Flash*Freeze Mode
- Low-Power Active FPGA Operation
- Flash*Freeze Technology Enables Ultra-Low Power Consumption while Maintaining FPGA Content
- Easy Entry to / Exit from Ultra-Low-Power Flash*Freeze Mode

High Capacity

- 15 k to 1 Million System Gates
- Up to 144 kbits of True Dual-Port SRAM
- Up to 300 User I/Os

Reprogrammable Flash Technology

- 130-nm, 7-Layer Metal, Flash-Based CMOS Process
- Live-at-Power-Up (LAPU) Level 0 Support
- Single-Chip Solution
- Retains Programmed Design When Powered Off

In-System Programming (ISP) and Security

- Secure ISP Using On-Chip 128-Bit Advanced Encryption Standard (AES) Decryption (except ARM[®]-enabled IGLOO[®] devices) via JTAG (IEEE 1532-compliant)[†]
- FlashLock[®] to Secure FPGA Contents

High-Performance Routing Hierarchy

- Segmented, Hierarchical Routing and Clock Structure

Advanced I/O

- 700 Mbps DDR, LVDS-Capable I/Os (AGL250 and above)
- 1.2 V, 1.5 V, 1.8 V, 2.5 V, and 3.3 V Mixed-Voltage Operation

IGLOO Product Family

- Bank-Selectable I/O Voltages—up to 4 Banks per Chip
- Single-Ended I/O Standards: LVTTTL, LVCMOS 3.3 V / 2.5 V / 1.8 V / 1.5 V / 1.2 V, 3.3 V PCI / 3.3 V PCI-X[†], and LVCMOS 2.5 V / 5.0 V Input[†]
- Differential I/O Standards: LVPECL, LVDS, B-LVDS, and M-LVDS (AGL250 and above)
- Wide Range Power Supply Voltage Support per JESD8-B, Allowing I/Os to Operate from 2.7 V to 3.6 V
- Wide Range Power Supply Voltage Support per JESD8-12, Allowing I/Os to Operate from 1.14 V to 1.575 V
- I/O Registers on Input, Output, and Enable Paths
- Hot-Swappable and Cold-Sparing I/Os[‡]
- Programmable Output Slew Rate[†] and Drive Strength
- Weak Pull-Up/-Down
- IEEE 1149.1 (JTAG) Boundary Scan Test
- Pin-Compatible Packages across the IGLOO Family

Clock Conditioning Circuit (CCC) and PLL[†]

- Six CCC Blocks, One with an Integrated PLL
- Configurable Phase Shift, Multiply/Divide, Delay Capabilities, and External Feedback
- Wide Input Frequency Range (1.5 MHz up to 250 MHz)

Embedded Memory

- 1 kbit of FlashROM User Nonvolatile Memory
- SRAMs and FIFOs with Variable-Aspect-Ratio 4,608-Bit[†] RAM Blocks (x1, x2, x4, x9, and x18 organizations)
- True Dual-Port SRAM (except x18)[†]

ARM Processor Support in IGLOO FPGAs

- M1 IGLOO Devices—Cortex™-M1 Soft Processor Available with or without Debug

IGLOO Devices	AGL015	AGL030	AGL060	AGL125	AGL250	AGL400	AGL600	AGL1000
ARM-Enabled IGLOO Devices					M1AGL250	M1AGL400	M1AGL600	M1AGL1000
System Gates	15 k	30 k	60 k	125 k	250 k	400 k	600 k	1 M
Typical Equivalent Macrocells	128	256	512	1,024	2,048	–	–	–
VersaTiles (D-flip-flops)	384	768	1,536	3,072	6,144	9,216	13,824	24,576
Flash*Freeze Mode (typical, μ W)	5	5	10	16	24	32	36	53
RAM kbits (1,024 bits)	–	–	18	36	36	54	108	144
4,608-Bit Blocks	–	–	4	8	8	12	24	32
FlashROM Bits	1 k	1 k	1 k	1 k	1 k	1 k	1 k	1 k
Secure (AES) ISP ¹	–	–	Yes	Yes	Yes	Yes	Yes	Yes
Integrated PLL in CCCs ²	–	–	1	1	1	1	1	1
VersaNet Globals ³	6	6	18	18	18	18	18	18
I/O Banks	2	2	2	2	4	4	4	4
Maximum User I/Os	49	81	96	133	143	194	235	300
Package Pins UC/CS QFN VQFP FBGA	QN68	UC81/CS81 QN48, QN68, QN132 VQ100	CS121 QN132 VQ100, FG144 ⁵	CS196 QN132 VQ100 FG144	CS196 ⁴ QN132 ^{4,5} VQ100 FG144	CS196 FG144, FG256, FG484	CS281 FG144, FG256, FG484	CS281 FG144, FG256, FG484

Notes:

1. AES is not available for ARM-enabled IGLOO devices.
2. AGL060 in CS121 does not support the PLL.
3. Six chip (main) and twelve quadrant global networks are available for AGL060 and above.
4. The M1AGL250 device does not support this package.
5. Device/package support TBD
6. The IGLOOe handbook provides information on higher densities and additional features.

[†] AGL015 and AGL030 devices do not support this feature.

[‡] Supported only by AGL015 and AGL030 devices.

I/Os Per Package¹

IGLOO Devices	AGL015	AGL030	AGL060	AGL125	AGL250		AGL400		AGL600		AGL1000	
ARM-Enabled IGLOO Devices					M1AGL250 ³		M1AGL400		M1AGL600		M1AGL1000	
Package	I/O Type											
	Single-Ended I/O	Single-Ended I/O	Single-Ended I/O	Single-Ended I/O	Single-Ended I/O ²	Differential I/O Pairs	Single-Ended I/O ²	Differential I/O Pairs	Single-Ended I/O ²	Differential I/O Pairs	Single-Ended I/O ²	Differential I/O Pairs
QN48	-	34	-	-	-	-	-	-	-	-	-	-
QN68	49	49	-	-	-	-	-	-	-	-	-	-
UC81	-	66	-	-	-	-	-	-	-	-	-	-
CS81	-	66	-	-	-	-	-	-	-	-	-	-
CS121	-	-	96	-	-	-	-	-	-	-	-	-
VQ100	-	77	71	71	68	13	-	-	-	-	-	-
QN132	-	81	80	84	87 ⁷	19 ⁷	-	-	-	-	-	-
CS196	-	-	-	133	143	35	143	35	-	-	-	-
FG144	-	-	96 ⁷	97	97	24	97	25	97	25	97	25
FG256	-	-	-	-	-	-	178	38	177	43	177	44
CS281	-	-	-	-	-	-	-	-	215	53	215	53
FG484	-	-	-	-	-	-	194	38	235	60	300	74

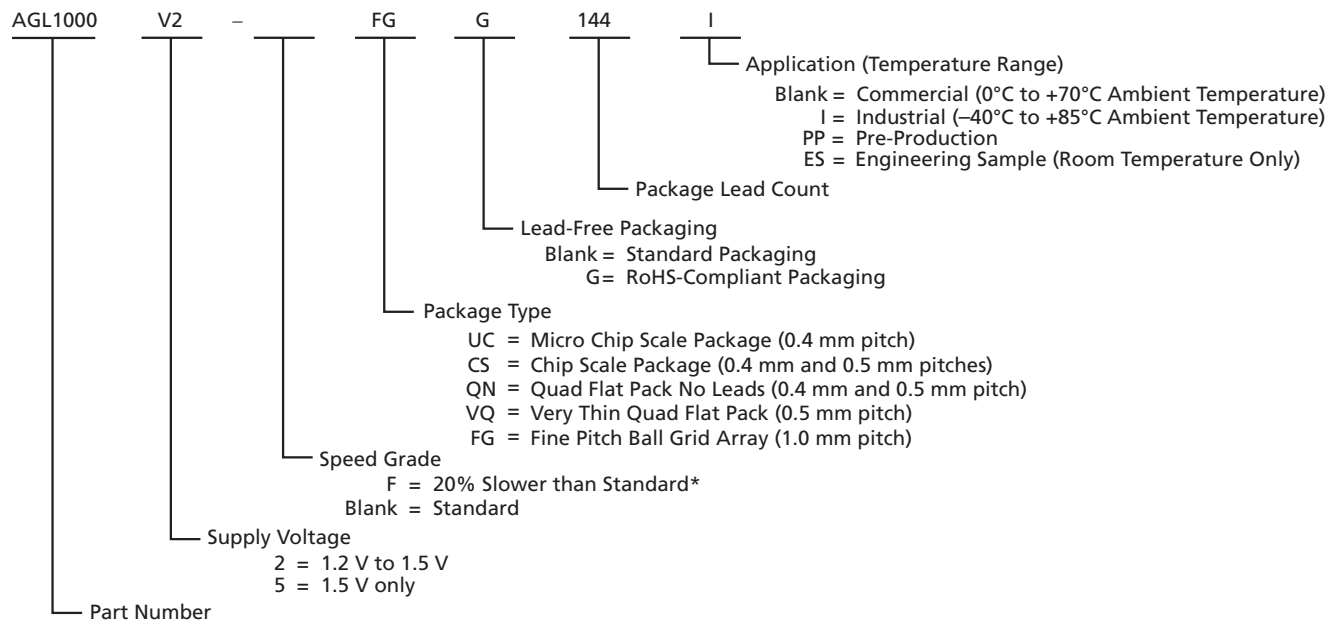
Notes:

1. When considering migrating your design to a lower- or higher-density device, refer to the IGLOO Low-Power Flash FPGAs handbook to ensure compliance with design and board migration requirements.
2. Each used differential I/O pair reduces the number of single-ended I/Os available by two.
3. The M1AGL250 device does not support QN132 or CS196 packages. Refer to the IGLOO Low-Power Flash FPGAs handbook for position assignments of the 15 LVPECL pairs.
4. FG256 and FG484 are footprint-compatible packages.
5. When the Flash*Freeze pin is used to directly enable Flash*Freeze mode and not used as a regular I/O, the number of single-ended user I/Os available is reduced by one.
6. "G" indicates RoHS-compliant packages. Refer to "IGLOO Ordering Information" on page III for the location of the "G" in the part number.
7. Device/package support TBD.

IGLOO FPGAs Package Sizes Dimensions

Package	UC81	CS81	CS121	QN68	QN132	CS196	CS281	FG144	VQ100	FG256	FG484
Length × Width (mm\mm)	4 × 4	5 × 5	6 × 6	8 × 8	8 × 8	8 × 8	10 × 10	13 × 13	14 × 14	17 × 17	23 × 23
Nominal Area (mm ²)	16	25	36	64	64	64	100	169	196	289	529
Pitch (mm)	0.4	0.5	0.5	0.4	0.5	0.5	0.5	1.0	0.5	1.0	1.0
Height (mm)	0.80	0.80	0.99	0.90	0.75	1.20	1.05	1.45	1.00	1.60	2.23

IGLOO Ordering Information



IGLOO Devices

AGL015 = 15,000 System Gates
 AGL030 = 30,000 System Gates
 AGL060 = 60,000 System Gates
 AGL125 = 125,000 System Gates
 AGL250 = 250,000 System Gates
 AGL400 = 400,000 System Gates
 AGL600 = 600,000 System Gates
 AGL1000 = 1,000,000 System Gates

IGLOO Devices with Cortex-M1

M1AGL250 = 250,000 System Gates
 M1AGL400 = 400,000 System Gates
 M1AGL600 = 600,000 System Gates
 M1AGL1000 = 1,000,000 System Gates

Notes:

1. *Marking Information: IGLOO V2 devices do not have V2 marking, but IGLOO V5 devices are marked accordingly.*
2. *The DC and switching characteristics for the -F speed grade targets are based only on simulation. The characteristics provided for the -F speed grade are subject to change after establishing FPGA specifications. Some restrictions might be added and will be reflected in future revisions of this document. The -F speed grade is only supported in the commercial temperature range.*

Temperature Grade Offerings

Package	AGL015	AGL030	AGL060	AGL125	AGL250	AGL400	AGL600	AGL1000
					M1AGL250 ⁴	M1AGL400	M1AGL600	M1AGL1000
QN48	–	C, I	–	–	–	–	–	–
QN68	C, I	–	–	–	–	–	–	–
UC81	–	C, I	–	–	–	–	–	–
CS81	–	C, I	–	–	–	–	–	–
CS121	–	–	C, I	–	–	–	–	–
VQ100	–	C, I	C, I	C, I	C, I	–	–	–
QN132	–	C, I	C, I ³	C, I	C, I ³	–	–	–
CS196	–	–	–	C, I	C, I	C, I	–	–
FG144	–	–	C, I ³	C, I	C, I	C, I	C, I	C, I
FG256	–	–	–	–	–	C, I	C, I	C, I
CS281	–	–	–	–	–	–	C, I	C, I
FG484	–	–	–	–	–	C, I	C, I	C, I

Notes:

1. C = Commercial temperature range: 0°C to 70°C ambient temperature.
2. I = Industrial temperature range: –40°C to 85°C ambient temperature.
3. Device/package support TBD.
4. The M1AGL250 device does not support FG256 or QN132 packages.

Speed Grade and Temperature Grade Matrix

Temperature Grade	–F ¹	Std.
C ²	✓	✓
I ³	–	✓

Notes:

1. The characteristics provided for the –F speed grade are subject to change after establishing FPGA specifications. Some restrictions might be added and will be reflected in future revisions of this document. The –F speed grade is only supported in the commercial temperature range.
2. C = Commercial temperature range: 0°C to 70°C ambient temperature.
3. I = Industrial temperature range: –40°C to 85°C ambient temperature.

References made to IGLOO devices also apply to ARM-enabled IGLOOe devices. The ARM-enabled part numbers start with M1 (Cortex-M1).

Contact your local Actel representative for device availability:

<http://www.actel.com/contact/default.aspx>.

AGL015 and AGL030

The AGL015 and AGL030 are architecturally compatible; there are no RAM or PLL features.

1 – IGLOO Device Family Overview

General Description

The IGLOO family of flash FPGAs, based on a 130-nm flash process, offers the lowest power FPGA, a single-chip solution, small footprint packages, reprogrammability, and an abundance of advanced features.

The Flash*Freeze technology used in IGLOO devices enables entering and exiting an ultra-low-power mode that consumes as little as 5 μ W while retaining SRAM and register data. Flash*Freeze technology simplifies power management through I/O and clock management with rapid recovery to operation mode.

The Low Power Active capability (static idle) allows for ultra-low-power consumption (from 12 μ W) while the IGLOO device is completely functional in the system. This allows the IGLOO device to control system power management based on external inputs (e.g., scanning for keyboard stimulus) while consuming minimal power.

Nonvolatile flash technology gives IGLOO devices the advantage of being a secure, low power, single-chip solution that is live at power-up (LAPU). IGLOO is reprogrammable and offers time-to-market benefits at an ASIC-level unit cost.

These features enable designers to create high-density systems using existing ASIC or FPGA design flows and tools.

IGLOO devices offer 1 kbit of on-chip, reprogrammable, nonvolatile FlashROM storage as well as clock conditioning circuitry based on an integrated phase-locked loop (PLL). The AGL015 and AGL030 devices have no PLL or RAM support. IGLOO devices have up to 1 million system gates, supported with up to 144 kbits of true dual-port SRAM and up to 300 user I/Os.

M1 IGLOO devices support the high-performance, 32-bit Cortex-M1 processor developed by ARM for implementation in FPGAs. Cortex-M1 is a soft processor that is fully implemented in the FPGA fabric. It has a three-stage pipeline that offers a good balance between low-power consumption and speed when implemented in an M1 IGLOO device. The processor runs the ARMv6-M instruction set, has a configurable nested interrupt controller, and can be implemented with or without the debug block. Cortex-M1 is available for free from Actel for use in M1 IGLOO FPGAs.

The ARM-enabled devices have Actel ordering numbers that begin with M1AGL and do not support AES decryption.

Flash*Freeze Technology

The IGLOO device offers unique Flash*Freeze technology, allowing the device to enter and exit ultra-low-power Flash*Freeze mode. IGLOO devices do not need additional components to turn off I/Os or clocks while retaining the design information, SRAM content, and registers. Flash*Freeze technology is combined with in-system programmability, which enables users to quickly and easily upgrade and update their designs in the final stages of manufacturing or in the field. The ability of IGLOO V2 devices to support a wide range of core voltage (1.2 V to 1.5 V) allows further reduction in power consumption, thus achieving the lowest total system power.

When the IGLOO device enters Flash*Freeze mode, the device automatically shuts off the clocks and inputs to the FPGA core; when the device exits Flash*Freeze mode, all activity resumes and data is retained.

The availability of low-power modes, combined with reprogrammability, a single-chip and single-voltage solution, and availability of small-footprint, high pin-count packages, make IGLOO devices the best fit for portable electronics.

Flash Advantages

Low Power

Flash-based IGLOO devices exhibit power characteristics similar to those of an ASIC, making them an ideal choice for power-sensitive applications. IGLOO devices have only a very limited power-on current surge and no high-current transition period, both of which occur on many FPGAs.

IGLOO devices also have low dynamic power consumption to further maximize power savings; power is even further reduced by the use of a 1.2 V core voltage.

Low dynamic power consumption, combined with low static power consumption and Flash*Freeze technology, gives the IGLOO device the lowest total system power offered by any FPGA.

Security

The nonvolatile, flash-based IGLOO devices do not require a boot PROM, so there is no vulnerable external bitstream that can be easily copied. IGLOO devices incorporate FlashLock, which provides a unique combination of reprogrammability and design security without external overhead, advantages that only an FPGA with nonvolatile flash programming can offer.

IGLOO devices utilize a 128-bit flash-based lock and a separate AES key to secure programmed intellectual property and configuration data. In addition, all FlashROM data in IGLOO devices can be encrypted prior to loading, using the industry-leading AES-128 (FIPS192) bit block cipher encryption standard. AES was adopted by the National Institute of Standards and Technology (NIST) in 2000 and replaces the 1977 DES standard. IGLOO devices have a built-in AES decryption engine and a flash-based AES key that make them the most comprehensive programmable logic device security solution available today. IGLOO devices with AES-based security allow for secure, remote field updates over public networks such as the Internet, and ensure that valuable IP remains out of the hands of system overbuilders, system cloners, and IP thieves. The contents of a programmed IGLOO device cannot be read back, although secure design verification is possible.

Security, built into the FPGA fabric, is an inherent component of the IGLOO family. The flash cells are located beneath seven metal layers, and many device design and layout techniques have been used to make invasive attacks extremely difficult. The IGLOO family, with FlashLock and AES security, is unique in being highly resistant to both invasive and noninvasive attacks. Your valuable IP is protected and secure, making remote ISP possible. An IGLOO device provides the most impenetrable security for programmable logic designs.

Single Chip

Flash-based FPGAs store their configuration information in on-chip flash cells. Once programmed, the configuration data is an inherent part of the FPGA structure, and no external configuration data needs to be loaded at system power-up (unlike SRAM-based FPGAs). Therefore, flash-based IGLOO FPGAs do not require system configuration components such as EEPROMs or microcontrollers to load device configuration data. This reduces bill-of-materials costs and PCB area, and increases security and system reliability.

Live at Power-Up

The Actel flash-based IGLOO devices support Level 0 of the LAPU classification standard. This feature helps in system component initialization, execution of critical tasks before the processor wakes up, setup and configuration of memory blocks, clock generation, and bus activity management. The LAPU feature of flash-based IGLOO devices greatly simplifies total system design and reduces total system cost, often eliminating the need for CPLDs and clock generation PLLs. In addition, glitches and brownouts in system power will not corrupt the IGLOO device's flash configuration, and unlike SRAM-based FPGAs, the device will not have to be reloaded when system power is restored. This enables the reduction or complete removal of the configuration PROM, expensive voltage monitor, brownout detection, and clock generator devices from the PCB design. Flash-based IGLOO devices simplify total system design and reduce cost and design risk while increasing system reliability and improving system initialization time.

IGLOO flash FPGAs allow the user to quickly enter and exit Flash*Freeze mode. This is done almost instantly (within 1 μ s) and the device retains configuration and data in registers and RAM. Unlike SRAM-based FPGAs the device does not need to reload configuration and design state from

external memory components; instead it retains all necessary information to resume operation immediately.

Reduced Cost of Ownership

Advantages to the designer extend beyond low unit cost, performance, and ease of use. Unlike SRAM-based FPGAs, Flash-based IGLOO devices allow all functionality to be live at power-up; no external boot PROM is required. On-board security mechanisms prevent access to all the programming information and enable secure remote updates of the FPGA logic. Designers can perform secure remote in-system reprogramming to support future design iterations and field upgrades with confidence that valuable intellectual property cannot be compromised or copied. Secure ISP can be performed using the industry-standard AES algorithm. The IGLOO family device architecture mitigates the need for ASIC migration at higher user volumes. This makes the IGLOO family a cost-effective ASIC replacement solution, especially for applications in the consumer, networking/communications, computing, and avionics markets.

Firm-Error Immunity

Firm errors occur most commonly when high-energy neutrons, generated in the upper atmosphere, strike a configuration cell of an SRAM FPGA. The energy of the collision can change the state of the configuration cell and thus change the logic, routing, or I/O behavior in an unpredictable way. These errors are impossible to prevent in SRAM FPGAs. The consequence of this type of error can be a complete system failure. Firm errors do not exist in the configuration memory of IGLOO flash-based FPGAs. Once it is programmed, the flash cell configuration element of IGLOO FPGAs cannot be altered by high-energy neutrons and is therefore immune to them. Recoverable (or soft) errors occur in the user data SRAM of all FPGA devices. These can easily be mitigated by using error detection and correction (EDAC) circuitry built into the FPGA fabric.

Advanced Flash Technology

The IGLOO family offers many benefits, including nonvolatility and reprogrammability, through an advanced flash-based, 130-nm LVC MOS process with seven layers of metal. Standard CMOS design techniques are used to implement logic and control functions. The combination of fine granularity, enhanced flexible routing resources, and abundant flash switches allows for very high logic utilization without compromising device routability or performance. Logic functions within the device are interconnected through a four-level routing hierarchy.

IGLOO family FPGAs utilize design and process techniques to minimize power consumption in all modes of operation.

Advanced Architecture

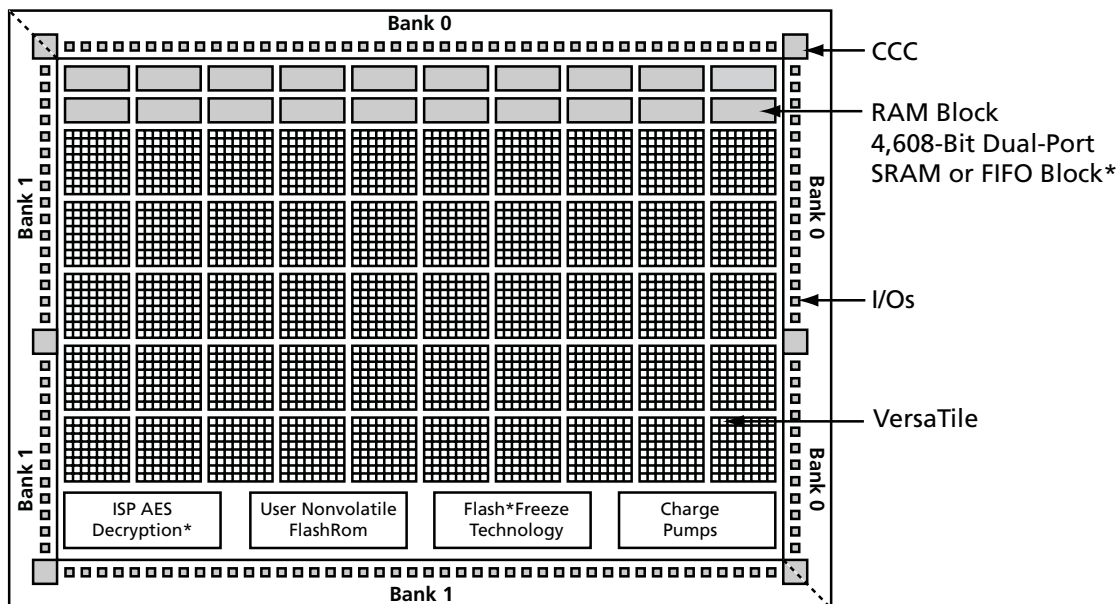
The proprietary IGLOO architecture provides granularity comparable to standard-cell ASICs. The IGLOO device consists of five distinct and programmable architectural features ([Figure 1-1 on page 1-4](#) and [Figure 1-2 on page 1-4](#)):

- Flash*Freeze technology
- FPGA VersaTiles
- Dedicated FlashROM
- Dedicated SRAM/FIFO memory[†]
- Extensive CCCs and PLLs[†]
- Advanced I/O structure

The FPGA core consists of a sea of VersaTiles. Each VersaTile can be configured as a three-input logic function, a D-flip-flop (with or without enable), or a latch by programming the appropriate flash switch interconnections. The versatility of the IGLOO core tile as either a three-input lookup table (LUT) equivalent or a D-flip-flop/latch with enable allows for efficient use of the FPGA fabric. The VersaTile capability is unique to the Actel ProASIC® family of third-generation-architecture flash FPGAs. VersaTiles are connected with any of the four levels of routing hierarchy. Flash switches are distributed throughout the device to provide nonvolatile, reconfigurable interconnect programming. Maximum core utilization is possible for virtually any design.

[†] The AGL015 and AGL030 do not support PLL or SRAM.

In addition, extensive on-chip programming circuitry allows for rapid, single-voltage (3.3 V) programming of IGLOO devices via an IEEE 1532 JTAG interface.



* Not supported by AGL015 and AGL030 devices

Figure 1-1 • IGLOO Device Architecture Overview with Two I/O Banks (AGL015, AGL030, AGL060, and AGL125)

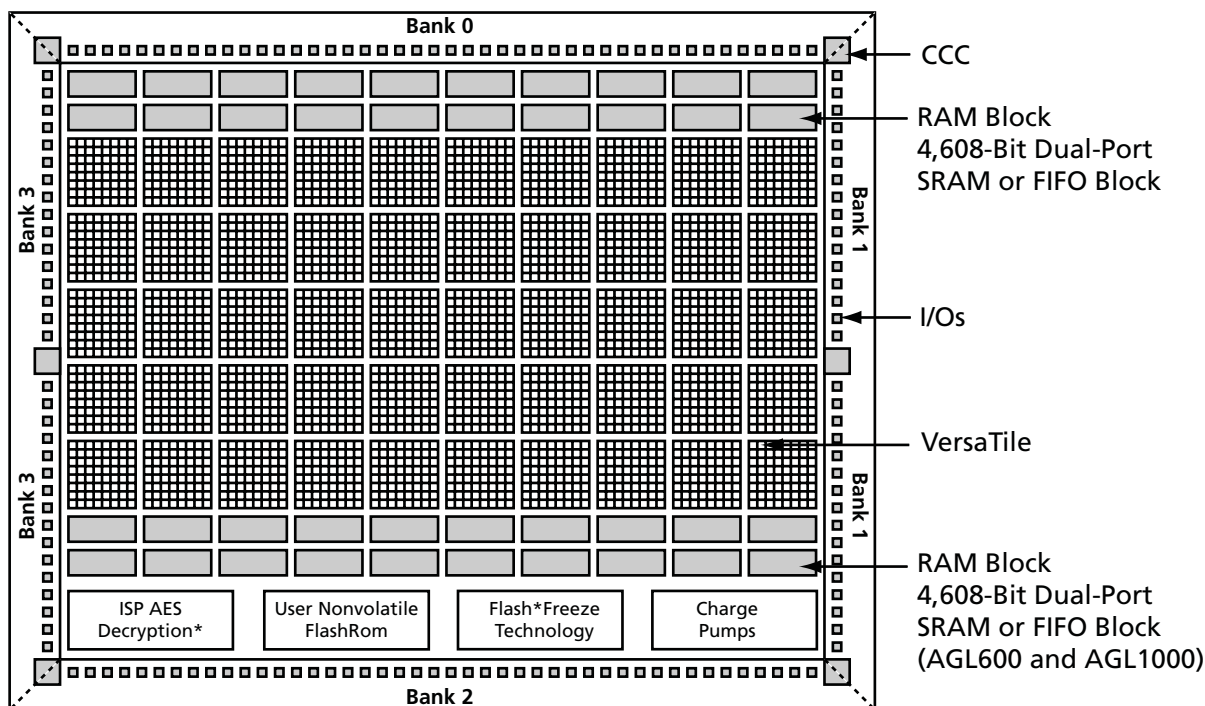


Figure 1-2 • IGLOO Device Architecture Overview with Four I/O Banks (AGL250, AGL600, AGL400, and AGL1000)

Flash*Freeze Technology

The IGLOO device has an ultra-low power static mode, called Flash*Freeze mode, which retains all SRAM and register information and can still quickly return to normal operation. Flash*Freeze technology enables the user to quickly (within 1 μ s) enter and exit Flash*Freeze mode by activating the Flash*Freeze pin while all power supplies are kept at their original values. In addition, I/Os and global I/Os can still be driven and can be toggling without impact on power consumption, clocks can still be driven or can be toggling without impact on power consumption, and the device retains all core registers, SRAM information, and states. I/O states are tristated during Flash*Freeze mode or can be set to a certain state using weak pull-up or pull-down I/O attribute configuration. No power is consumed by the I/O banks, clocks, JTAG pins, or PLL, and the device consumes as little as 5 μ W in this mode.

Flash*Freeze technology allows the user to switch to active mode on demand, thus simplifying the power management of the device.

The Flash*Freeze pin (active low) can be routed internally to the core to allow the user's logic to decide when it is safe to transition to this mode. It is also possible to use the Flash*Freeze pin as a regular I/O if Flash*Freeze mode usage is not planned, which is advantageous because of the inherent low power static (as low as 12 μ W) and dynamic capabilities of the IGLOO device. Refer to [Figure 1-3](#) for an illustration of entering/exiting Flash*Freeze mode.

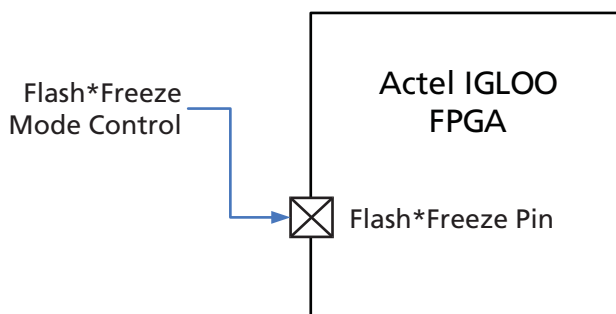


Figure 1-3 • IGLOO Flash*Freeze Mode

VersaTiles

The IGLOO core consists of VersaTiles, which have been enhanced beyond the ProASIC^{PLUS} core tiles. The IGLOO VersaTile supports the following:

- All 3-input logic functions—LUT-3 equivalent
- Latch with clear or set
- D-flip-flop with clear or set
- Enable D-flip-flop with clear or set

Refer to [Figure 1-4](#) for VersaTile configurations.

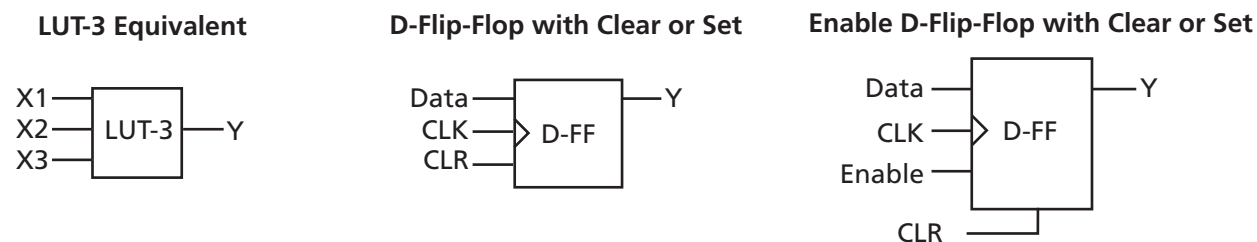


Figure 1-4 • VersaTile Configurations

User Nonvolatile FlashROM

Actel IGLOO devices have 1 kbit of on-chip, user-accessible, nonvolatile FlashROM. The FlashROM can be used in diverse system applications:

- Internet protocol addressing (wireless or fixed)
- System calibration settings
- Device serialization and/or inventory control
- Subscription-based business models (for example, set-top boxes)
- Secure key storage for secure communications algorithms
- Asset management/tracking
- Date stamping
- Version management

The FlashROM is written using the standard IGLOO IEEE 1532 JTAG programming interface. The core can be individually programmed (erased and written), and on-chip AES decryption can be used selectively to securely load data over public networks (except in the AGL015 and AGL030 devices), as in security keys stored in the FlashROM for a user design.

The FlashROM can be programmed via the JTAG programming interface, and its contents can be read back either through the JTAG programming interface or via direct FPGA core addressing. Note that the FlashROM can only be programmed from the JTAG interface and cannot be programmed from the internal logic array.

The FlashROM is programmed as 8 banks of 128 bits; however, reading is performed on a byte-by-byte basis using a synchronous interface. A 7-bit address from the FPGA core defines which of the 8 banks and which of the 16 bytes within that bank are being read. The three most significant bits (MSBs) of the FlashROM address determine the bank, and the four least significant bits (LSBs) of the FlashROM address define the byte.

The Actel IGLOO development software solutions, Libero® Integrated Design Environment (IDE) and Designer, have extensive support for the FlashROM. One such feature is auto-generation of sequential programming files for applications requiring a unique serial number in each part. Another feature allows the inclusion of static data for system version control. Data for the FlashROM can be generated quickly and easily using Actel Libero IDE and Designer software tools. Comprehensive programming file support is also included to allow for easy programming of large numbers of parts with differing FlashROM contents.

SRAM and FIFO

IGLOO devices (except the AGL015 and AGL030 devices) have embedded SRAM blocks along their north and south sides. Each variable-aspect-ratio SRAM block is 4,608 bits in size. Available memory configurations are 256×18, 512×9, 1k×4, 2k×2, and 4k×1 bits. The individual blocks have independent read and write ports that can be configured with different bit widths on each port. For example, data can be sent through a 4-bit port and read as a single bitstream. The embedded SRAM blocks can be initialized via the device JTAG port (ROM emulation mode) using the UJTAG macro (except in the AGL015 and AGL030 devices).

In addition, every SRAM block has an embedded FIFO control unit. The control unit allows the SRAM block to be configured as a synchronous FIFO without using additional core VersaTiles. The FIFO width and depth are programmable. The FIFO also features programmable Almost Empty (AEMPTY) and Almost Full (AFULL) flags in addition to the normal Empty and Full flags. The embedded FIFO control unit contains the counters necessary for generation of the read and write address pointers. The embedded SRAM/FIFO blocks can be cascaded to create larger configurations.

PLL and CCC

IGLOO devices provide designers with very flexible clock conditioning circuit (CCC) capabilities. Each member of the IGLOO family contains six CCCs. One CCC (center west side) has a PLL. The AGL015 and AGL030 do not have a PLL.

The six CCC blocks are located at the four corners and the centers of the east and west sides. One CCC (center west side) has a PLL.

All six CCC blocks are usable; the four corner CCCs and the east CCC allow simple clock delay operations as well as clock spine access.

The inputs of the six CCC blocks are accessible from the FPGA core or from one of several inputs located near the CCC that have dedicated connections to the CCC block.

The CCC block has these key features:

- Wide input frequency range (f_{IN_CCC}) = 1.5 MHz up to 250 MHz
- Output frequency range (f_{OUT_CCC}) = 0.75 MHz up to 250 MHz
- 2 programmable delay types for clock skew minimization
- Clock frequency synthesis (for PLL only)

Additional CCC specifications:

- Internal phase shift = 0°, 90°, 180°, and 270°. Output phase shift depends on the output divider configuration (for PLL only).
- Output duty cycle = 50% ± 1.5% or better (for PLL only)
- Low output jitter: worst case < 2.5% × clock period peak-to-peak period jitter when single global network used (for PLL only)
- Maximum acquisition time is 300 μs (for PLL only)
- Exceptional tolerance to input period jitter—allowable input jitter is up to 1.5 ns (for PLL only)
- Four precise phases; maximum misalignment between adjacent phases of 40 ps × 250 MHz / f_{OUT_CCC} (for PLL only)

Global Clocking

IGLOO devices have extensive support for multiple clocking domains. In addition to the CCC and PLL support described above, there is a comprehensive global clock distribution network.

Each VersaTile input and output port has access to nine VersaNets: six chip (main) and three quadrant global networks. The VersaNets can be driven by the CCC or directly accessed from the core via multiplexers (MUXes). The VersaNets can be used to distribute low-skew clock signals or for rapid distribution of high-fanout nets.

I/Os with Advanced I/O Standards

The IGLOO family of FPGAs features a flexible I/O structure, supporting a range of voltages (1.2 V, 1.5 V, 1.8 V, 2.5 V, 3.0 V wide range, and 3.3 V). IGLOO FPGAs support many different I/O standards—single-ended and differential.

The I/Os are organized into banks, with two or four banks per device. The configuration of these banks determines the I/O standards supported.

Each I/O module contains several input, output, and enable registers. These registers allow the implementation of the following:

- Single-Data-Rate applications
- Double-Data-Rate applications—DDR LVDS, B-LVDS, and M-LVDS I/Os for point-to-point communications

IGLOO banks for the AGL250 device and above support LVPECL, LVDS, B-LVDS, and M-LVDS. B-LVDS and M-LVDS can support up to 20 loads.

Wide Range I/O Support

Actel IGLOO devices support JEDEC-defined wide range I/O operation. IGLOO devices support both the JESD8-B specification, covering 3 V and 3.3 V supplies, for an effective operating range of 2.7 V to 3.6 V, and JESD8-12 with its 1.2 V nominal, supporting an effective operating range of 1.14 V to 1.575 V.

Wider I/O range means designers can eliminate power supplies or power conditioning components from the board or move to less costly components with greater tolerances. Wide range eases I/O bank management and provides enhanced protection from system voltage spikes, while providing the flexibility to easily run custom voltage applications.

Part Number and Revision Date

Part Number 51700095-001-7

Revised February 2009

List of Changes

The following table lists critical changes that were made in the current version of the document.

Previous Version	Changes in Current Version (v1.4)	Page
v1.3 (December 2008)	The "Advanced I/O" section was revised to include two bullets regarding wide range power supply voltage support.	I
	3.0 V wide range was added to the list of supported voltages in the "I/Os with Advanced I/O Standards" section. The "Wide Range I/O Support" section is new.	1-7
v1.2 (October 2008)	QN48 and QN68 were added to the AGL030 for the following tables: "IGLOO Product Family" "IGLOO Ordering Information" "Temperature Grade Offerings"	N/A
	QN132 is fully supported by AGL125 so footnote 3 was removed.	
v1.1 (July 2008)	This document was updated to include AGL400 device information. The following sections were updated: "IGLOO Product Family" "IGLOO Ordering Information" "Temperature Grade Offerings" "IGLOO Product Family" Figure 1-2 · IGLOO Device Architecture Overview with Four I/O Banks (AGL250, AGL600, AGL400, and AGL1000)	N/A
v1.0 (March 2008)	As a result of the Libero IDE v8.4 release, Actel now offers a wide range of core voltage support. The document was updated to change 1.2 V / 1.5 V to 1.2 V to 1.5 V.	N/A
51700095-001-3 (March 2008)	This document was divided into two sections and given a version number, starting at v1.0. The first section of the document includes features, benefits, ordering information, and temperature and speed grade offerings. The second section is a device family overview.	N/A
51700095-001-2 (February 2008)	The "Low Power" section was updated to change "1.2 V and 1.5 V Core Voltage" to "1.2 V and 1.5 V Core and I/O Voltage." The text "(from 12 μ W)" was removed from "Low-Power Active FPGA Operation." 1.2_V was added to the list of core and I/O voltages in the "Advanced I/O" and "I/Os with Advanced I/O Standards" sections.	I I, 1-7
	The "Embedded Memory" section was updated to remove the footnote reference from the section heading and place it instead after "4,608-Bit" and "True Dual-Port SRAM (except \times 18)."	I

Previous Version	Changes in Current Version (v1.4)	Page
51700095-001-1 (January 2008)	This document was updated to include AGL015 device information. QN68 is a new package that was added because it is offered in the AGL015. The following sections were updated: "Features and Benefits" "IGLOO Ordering Information" "Temperature Grade Offerings" "IGLOO Product Family" "IGLOO FPGAs Package Sizes Dimensions" "AGL015 and AGL030" note "IGLOO Device Family Overview"	N/A
	The "Temperature Grade Offerings" table was updated to include M1AGL600.	IV
	In the "IGLOO Ordering Information" table, the QN package measurements were updated to include both 0.4 mm and 0.5 mm.	III
	In the "General Description" section, the number of I/Os was updated from 288 to 300.	1-5
51700095-001-0 (January 2008)	The "Low Power" section was updated to change the description of low-power active FPGA operation to "from 12 μ W" from "from 25 μ W." The same update was made in the "General Description" section and the "Flash*Freeze Technology" section.	I, 1-1, 1-5
Advance v0.7 (November 2007)	This document was previously in datasheet Advance v0.7. As a result of moving to the handbook format, Actel has restarted the version numbers. The new version number is 51700095-001-0.	N/A
Advance v0.6 (November 2007)	Table 1 • IGLOO Product Family, the "I/Os Per Package1" table, and the Temperature Grade Offerings table were updated to reflect the following: CS196 is now supported for AGL250; device/package support for QN132 is to be determined for AGL250; the CS281 package was added for AGL600 and AGL1000.	i, ii, iv
	Table 2 • IGLOO FPGAs Package Sizes Dimensions is new, and package sizes were removed from the "I/Os Per Package1" table.	ii
	The "I/Os Per Package1" table was updated to reflect 77 instead of 79 single-ended I/Os for the VG100 package for AGL030.	ii
Advance v0.6 (November 2007)	A note was added to "IGLOO Ordering Information" regarding marking information.	iii
Advance v0.5 (September 2007)	Table 1 • IGLOO Product Family, the "I/Os Per Package1" table, and the "IGLOO Ordering Information", and the Temperature Grade Offerings table were updated to add the UC81 package.	i, ii, iii, iv
Advance v0.4 (September 2007)	Table 1 • IGLOO Product Family was updated for AGL030 in the Package Pins section to change CS181 to CS81.	i
Advance v0.3 (August 2007)	Cortex-M1 device information was added to Table 1 • IGLOO Product Family, the "I/Os Per Package1" table, "IGLOO Ordering Information", and Temperature Grade Offerings.	i, ii, iii, iv
	The number of single-ended I/Os for the CS81 package for AGL030 was updated to 66 in the "I/Os Per Package1" table.	ii
Advance v0.2 (July 2007)	In Table 1 • IGLOO Product Family, the CS81 package was added for AGL030. The CS196 was replaced by the CS121 for AGL060. Table note 3 was moved to the specific packages to which it applies for AGL060: QN132 and FG144.	i
	The CS81 and CS121 packages were added to the "I/Os Per Package1" table. The number of single-ended I/Os was removed for the CS196 package in AGL060. Table note 6 was moved to the specific packages to which it applies for AGL060: QN132 and FG144.	ii

Previous Version	Changes in Current Version (v1.4)	Page
Advance v0.2 (continued)	The CS81 and CS121 packages were added to the Temperature Grade Offerings table. The temperature grade offerings were removed for the CS196 package in AGL060. Table note 3 was moved to the specific packages to which it applies for AGL060: QN132 and FG144.	iv
Advance v0.1	The words "ambient temperature" were added to the temperature range in the "IGLOO Ordering Information", Temperature Grade Offerings, and "Speed Grade and Temperature Grade Matrix" sections.	iii, iv

Datasheet Categories

Categories

In order to provide the latest information to designers, some datasheets are published before data has been fully characterized. Datasheets are designated as "Product Brief," "Advance," "Preliminary," and "Production." The definitions of these categories are as follows:

Product Brief

The product brief is a summarized version of a datasheet (advance or production) and contains general product information. This document gives an overview of specific device and family information.

Advance

This version contains initial estimated information based on simulation, other products, devices, or speed grades. This information can be used as estimates, but not for production. This label only applies to the DC and Switching Characteristics chapter of the datasheet and will only be used when the data has not been fully characterized.

Preliminary

The datasheet contains information based on simulation and/or initial characterization. The information is believed to be correct, but changes are possible.

Unmarked (production)

This version contains information that is considered to be final.

Export Administration Regulations (EAR)

The products described in this document are subject to the Export Administration Regulations (EAR). They could require an approved export license prior to export from the United States. An export includes release of product or disclosure of technology to a foreign national inside or outside the United States.

Actel Safety Critical, Life Support, and High-Reliability Applications Policy

The Actel products described in this advance status document may not have completed Actel's qualification process. Actel may amend or enhance products during the product introduction and qualification process, resulting in changes in device functionality or performance. It is the responsibility of each customer to ensure the fitness of any Actel product (but especially a new product) for a particular purpose, including appropriateness for safety-critical, life-support, and other high-reliability applications. Consult Actel's Terms and Conditions for specific liability exclusions relating to life-support applications. A reliability report covering all of Actel's products is available on the Actel website at http://www.actel.com/documents/ORT_Report.pdf. Actel also offers a variety of enhanced qualification and lot acceptance screening procedures. Contact your local Actel sales office for additional reliability information.

2 – IGLOO DC and Switching Characteristics

General Specifications

DC and switching characteristics for –F speed grade targets are based only on simulation.

The characteristics provided for the –F speed grade are subject to change after establishing FPGA specifications. Some restrictions might be added and will be reflected in future revisions of this document. The –F speed grade is only supported in the commercial temperature range.

Operating Conditions

Stresses beyond those listed in [Table 2-1](#) may cause permanent damage to the device.

Exposure to absolute maximum rating conditions for extended periods may affect device reliability. Absolute Maximum Ratings are stress ratings only; functional operation of the device at these or any other conditions beyond those listed under the Recommended Operating Conditions specified in [Table 2-2](#) on [page 2-2](#) is not implied.

Table 2-1 • Absolute Maximum Ratings

Symbol	Parameter	Limits	Units
V_{CC}	DC core supply voltage	–0.3 to 1.65	V
V_{JTAG}	JTAG DC voltage	–0.3 to 3.75	V
V_{PUMP}	Programming voltage	–0.3 to 3.75	V
V_{CCPLL}	Analog power supply (PLL)	–0.3 to 1.65	V
V_{CCI} and VMV ³	DC I/O buffer supply voltage	–0.3 to 3.75	V
V_I	I/O input voltage	–0.3 V to 3.6 V (when I/O hot insertion mode is enabled) –0.3 V to ($V_{CCI} + 1$ V) or 3.6 V, whichever voltage is lower (when I/O hot-insertion mode is disabled)	V
T_{STG} ²	Storage Temperature	–65 to +150	°C
T_J ²	Junction Temperature	+125	°C

Notes:

1. The device should be operated within the limits specified by the datasheet. During transitions, the input signal may undershoot or overshoot according to the limits shown in [Table 2-4](#) on [page 2-3](#).
2. For flash programming and retention, maximum limits refer to [Table 2-3](#) on [page 2-2](#), and for recommended operating limits, refer to [Table 2-2](#) on [page 2-2](#).
3. VMV pins must be connected to the corresponding V_{CCI} pins. See [Pin Descriptions](#) for further information.

Table 2-2 • Recommended Operating Conditions⁴

Symbol	Parameter		Commercial	Industrial	Units
T _A	Ambient Temperature		0 to +70 ⁶	-40 to +85 ⁷	°C
T _J	Junction Temperature ⁸		0 to +85	-40 to +100	°C
V _{CC} ³	1.5 V DC core supply voltage ¹		1.425 to 1.575	1.425 to 1.575	V
	1.2 V–1.5 V wide range core voltage ²		1.14 to 1.575	1.14 to 1.575	V
V _{JTAG}	JTAG DC voltage		1.4 to 3.6	1.4 to 3.6	V
V _{PUMP}	Programming voltage	Programming Mode	3.15 to 3.45	3.15 to 3.45	V
		Operation ⁵	0 to 3.45	0 to 3.45	V
V _{CCPLL} ⁹	Analog power supply (PLL)	1.5 V DC core supply voltage ¹	1.4 to 1.6	1.4 to 1.6	V
		1.2 V–1.5 V wide range core voltage ²	1.14 to 1.575	1.14 to 1.575	V
V _{CCI} and VMV ¹⁰	1.2 V DC core supply voltage ²		1.14 to 1.26	1.14 to 1.26	V
	1.5 V DC supply voltage		1.425 to 1.575	1.425 to 1.575	V
	1.8 V DC supply voltage		1.7 to 1.9	1.7 to 1.9	V
	2.5 V DC supply voltage		2.3 to 2.7	2.3 to 2.7	V
	3.3 V wide range DC supply voltage ¹¹		2.7 to 3.6	2.7 to 3.6	V
	3.3 V DC supply voltage		3.0 to 3.6	3.0 to 3.6	V
	LVDS differential I/O		2.375 to 2.625	2.375 to 2.625	V
	LVPECL differential I/O		3.0 to 3.6	3.0 to 3.6	V

Notes:

1. For IGLOO[®] V5 devices
2. For IGLOO V2 devices only, operating at $V_{CCI} \geq V_{CC}$
3. The ranges given here are for power supplies only. The recommended input voltage ranges specific to each I/O standard are given in [Table 2-24 on page 2-23](#). V_{CCI} should be at the same voltage within a given I/O bank.
4. All parameters representing voltages are measured with respect to GND unless otherwise specified.
5. V_{PUMP} can be left floating during operation (not programming mode).
6. Maximum $T_J = 85$ °C.
7. Maximum $T_J = 100$ °C.
8. To ensure targeted reliability standards are met across ambient and junction operating temperatures, Actel recommends that the user follow best design practices using Actel's timing and power simulation tools.
9. V_{CCPLL} pins should be tied to V_{CC} pins. See [Pin Descriptions](#) for further information.
10. VMV pins must be connected to the corresponding V_{CCI} pins. See [Pin Descriptions](#) for further information.
11. 3.3 V wide range is compliant to the JEDEC8a specification and supports 3.0 V V_{CCI} operation.

Table 2-3 • Flash Programming Limits – Retention, Storage, and Operating Temperature¹

Product Grade	Programming Cycles	Program Retention (biased/unbiased)	Maximum Storage Temperature T _{STG} (°C) ²	Maximum Operating Junction Temperature T _J (°C) ²
Commercial	500	20 years	110	100
Industrial	500	20 years	110	100

Notes:

1. This is a stress rating only; functional operation at any condition other than those indicated is not implied.
2. These limits apply for program/data retention only. Refer to [Table 2-1 on page 2-1](#) and [Table 2-2](#) for device operating conditions and absolute limits.

Table 2-4 • Overshoot and Undershoot Limits ¹

V_{CCI}	Average V_{CCI} -GND Overshoot or Undershoot Duration as a Percentage of Clock Cycle ²	Maximum Overshoot/Undershoot ²
2.7 V or less	10%	1.4 V
	5%	1.49 V
3 V	10%	1.1 V
	5%	1.19 V
3.3 V	10%	0.79 V
	5%	0.88 V
3.6 V	10%	0.45 V
	5%	0.54 V

Notes:

1. Based on reliability requirements at junction temperature at 85°C.
2. The duration is allowed at one out of six clock cycles. If the overshoot/undershoot occurs at one out of two cycles, the maximum overshoot/undershoot has to be reduced by 0.15 V.
3. This table does not provide PCI overshoot/undershoot limits.

I/O Power-Up and Supply Voltage Thresholds for Power-On Reset (Commercial and Industrial)

Sophisticated power-up management circuitry is designed into every IGLOO device. These circuits ensure easy transition from the powered-off state to the powered-up state of the device. The many different supplies can power up in any sequence with minimized current spikes or surges. In addition, the I/O will be in a known state through the power-up sequence. The basic principle is shown in Figure 2-1 on page 2-4 and Figure 2-2 on page 2-5.

There are five regions to consider during power-up.

IGLOO I/Os are activated only if ALL of the following three conditions are met:

1. V_{CC} and V_{CCI} are above the minimum specified trip points (Figure 2-1 on page 2-4 and Figure 2-2 on page 2-5).
2. $V_{CCI} > V_{CC} - 0.75$ V (typical)
3. Chip is in the operating mode.

 V_{CCI} Trip Point:

Ramping up (V5 devices): 0.6 V < trip_point_up < 1.2 V

Ramping down (V5 Devices): 0.5 V < trip_point_down < 1.1 V

Ramping up (V2 devices): 0.75 V < trip_point_up < 1.05 V

Ramping down (V2 devices): 0.65 V < trip_point_down < 0.95 V

 V_{CC} Trip Point:

Ramping up (V5 devices): 0.6 V < trip_point_up < 1.1 V

Ramping down (V5 devices): 0.5 V < trip_point_down < 1.0 V

Ramping up (V2 devices): 0.65 V < trip_point_up < 1.05 V

Ramping down (V2 devices): 0.55 V < trip_point_down < 0.95 V

V_{CC} and V_{CCI} ramp-up trip points are about 100 mV higher than ramp-down trip points. This specifically built-in hysteresis prevents undesirable power-up oscillations and current surges. Note the following:

- During programming, I/Os become tristated and weakly pulled up to V_{CCI} .
- JTAG supply, PLL power supplies, and charge pump V_{PUMP} supply have no influence on I/O behavior.

PLL Behavior at Brownout Condition

Actel recommends using monotonic power supplies or voltage regulators to ensure proper power-up behavior. Power ramp-up should be monotonic at least until V_{CC} and V_{CCPLX} exceed brownout activation levels (see Figure 2-1 and Figure 2-2 on page 2-5 for more details).

When PLL power supply voltage and/or V_{CC} levels drop below the V_{CC} brownout levels ($0.75\text{ V} \pm 0.25\text{ V}$ for V5 devices, and $0.75\text{ V} \pm 0.2\text{ V}$ for V2 devices), the PLL output lock signal goes low and/or the output clock is lost. Refer to the Brownout Voltage section in the *Power-Up/Down Behavior of Low-Power Flash Devices* chapter of the *ProASIC[®]3* and *ProASIC3E* handbooks for information on clock and lock recovery.

Internal Power-Up Activation Sequence

1. Core
2. Input buffers
3. Output buffers, after 200 ns delay from input buffer activation

To make sure the transition from input buffers to output buffers is clean, ensure that there is no path longer than 100 ns from input buffer to output buffer in your design.

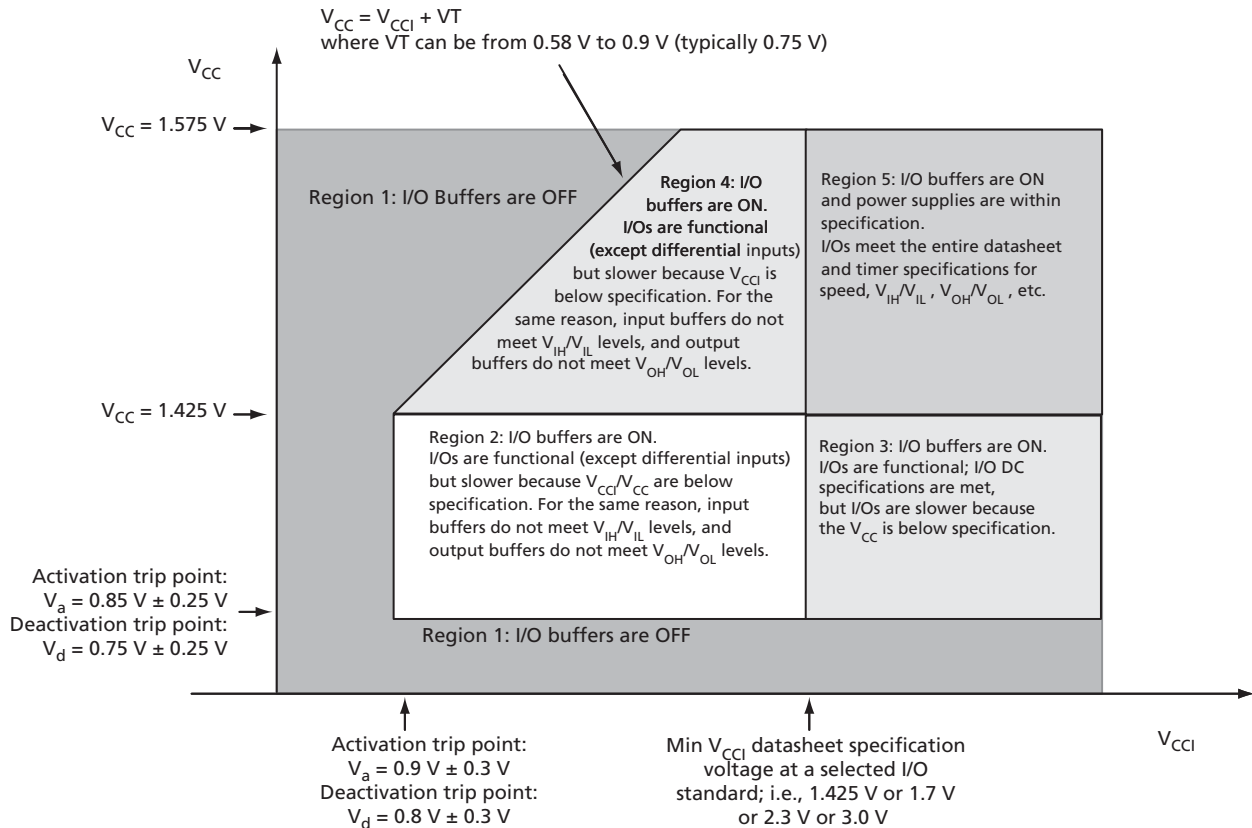


Figure 2-1 • V5 Devices – I/O State as a Function of V_{CCI} and V_{CC} Voltage Levels

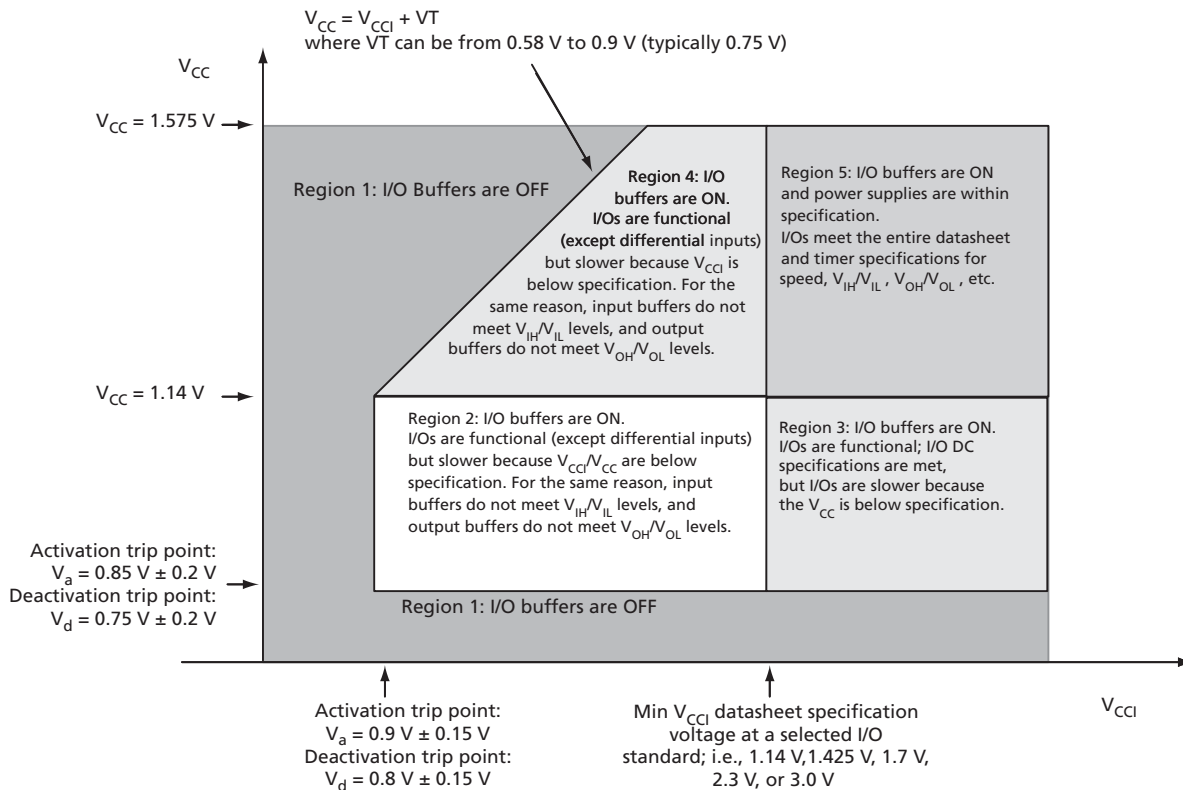


Figure 2-2 • V2 Devices – I/O State as a Function of V_{CCI} and V_{CC} Voltage Levels

Thermal Characteristics

Introduction

The temperature variable in the Actel Designer software refers to the junction temperature, not the ambient temperature. This is an important distinction because dynamic and static power consumption cause the chip junction to be higher than the ambient temperature.

EQ 2-1 can be used to calculate junction temperature.

$$T_J = \text{Junction Temperature} = \Delta T + T_A$$

EQ 2-1

where:

T_A = Ambient Temperature

ΔT = Temperature gradient between junction (silicon) and ambient ΔT = θ_{ja} * P

θ_{ja} = Junction-to-ambient of the package. θ_{ja} numbers are located in Table 2-5 on page 2-6.

P = Power dissipation

Package Thermal Characteristics

The device junction-to-case thermal resistivity is θ_{jc} and the junction-to-ambient air thermal resistivity is θ_{ja} . The thermal characteristics for θ_{ja} are shown for two air flow rates. The absolute maximum junction temperature is 110°C. EQ 2-2 shows a sample calculation of the absolute maximum power dissipation allowed for a 484-pin FBGA package at commercial temperature and in still air.

$$\text{Maximum Power Allowed} = \frac{\text{Max. junction temp. (}^\circ\text{C)} - \text{Max. ambient temp. (}^\circ\text{C)}}{\theta_{ja}(\text{}^\circ\text{C/W)}} = \frac{100^\circ\text{C} - 70^\circ\text{C}}{20.5^\circ\text{C/W}} = 1.463 \text{ W}$$

EQ 2-2

Table 2-5 • Package Thermal Resistivities

Package Type	Device	Pin Count	θ_{jc}	θ_{ja}			Units
				Still Air	200 ft./min.	500 ft./min.	
Quad Flat No Lead	AGL015	68	TBD	TBD	TBD	TBD	C/W
	AGL030	132	0.4	21.4	16.8	15.3	C/W
	AGL060	132	0.3	21.2	16.6	15.0	C/W
	AGL125	132	0.2	21.1	16.5	14.9	C/W
	AGL250	132	0.1	21.0	16.4	14.8	C/W
Very Thin Quad Flat Pack (VQFP)	All devices	100	10.0	35.3	29.4	27.1	C/W
Chip Scale Package (CSP)	All devices	196		57.8	47.6	43.3	C/W
Fine Pitch Ball Grid Array (FBGA)	See note*	144	3.8	26.9	22.9	21.5	C/W
	See note*	256	3.8	26.6	22.8	21.5	C/W
	See note*	484	3.2	20.5	17.0	15.9	C/W
	See note*	896	2.4	13.6	10.4	9.4	C/W
	AGL060	144	18.6	55.2	49.4	47.2	C/W
	AGL1000	144	6.3	31.6	26.2	24.2	C/W
	AGL250	256	12.0	38.6	34.7	33.0	C/W
	AGL1000	256	6.6	28.1	24.4	22.7	C/W
	AGL1000	484	8.0	23.3	19.0	16.7	C/W

* This information applies to all IGLOO devices except those listed below. Detailed device/package thermal information for all IGLOO devices will be available in future revisions of the datasheet.

Temperature and Voltage Derating Factors

**Table 2-6 • Temperature and Voltage Derating Factors for Timing Delays (normalized to $T_j = 70^\circ\text{C}$, $V_{CC} = 1.425 \text{ V}$)
For IGLOO V2 or V5 devices, 1.5 V DC Core Supply Voltage**

Array Voltage V_{CC} (V)	Junction Temperature ($^\circ\text{C}$)					
	-40°C	0°C	25°C	70°C	85°C	110°C
1.425	0.95	0.96	0.98	1.00	1.01	1.02
1.5	0.88	0.89	0.91	0.93	0.93	0.94
1.575	0.82	0.84	0.85	0.87	0.88	0.89

**Table 2-7 • Temperature and Voltage Derating Factors for Timing Delays (normalized to $T_J = 70^\circ\text{C}$, $V_{CC} = 1.14\text{ V}$)
For IGLOO V2, 1.2 V DC Core Supply Voltage**

Array Voltage V_{CC} (V)	Junction Temperature ($^\circ\text{C}$)					
	-40°C	0°C	25°C	70°C	85°C	110°C
1.14	0.97	0.98	0.99	1.00	1.01	1.01
1.2	0.86	0.87	0.89	0.89	0.90	0.91
1.26	0.79	0.80	0.81	0.82	0.83	0.83

Calculating Power Dissipation

Quiescent Supply Current

Quiescent supply current (I_{DD}) calculation depends on multiple factors, including operating voltages (V_{CC} , V_{CCI} , and V_{JTAG}), operating temperature, system clock frequency, and power modes usage. Actel recommends using the PowerCalculator and SmartPower software estimation tools to evaluate the projected static and active power based on the user design, power mode usage, operating voltage, and temperature.

Table 2-8 • Quiescent Supply Current (I_{DD}) Characteristics, IGLOO Flash*Freeze Mode*

	Core Voltage	AGL015	AGL030	AGL060	AGL125	AGL250	AGL400	AGL600	AGL1000	Units
Typical (25°C)	1.2 V	4	4	8	13	20	27	30	44	μA
	1.5 V	6	6	10	18	34	51	72	127	μA

* I_{DD} includes V_{CC} , V_{PUMP} , V_{CCI} , V_{JTAG} , and V_{CCPLL} currents. Values do not include I/O static contribution (P_{DC6} and P_{DC7}).

Table 2-9 • Quiescent Supply Current (I_{DD}) Characteristics, IGLOO Sleep Mode ($V_{CC} = 0\text{ V}$)*

	Core Voltage	AGL015	AGL030	AGL060	AGL125	AGL250	AGL400	AGL600	AGL1000	Units
$V_{CCI}/V_{JTAG} = 1.2\text{ V}$ (per bank) Typical (25°C)	1.2 V	1.7	1.7	1.7	1.7	1.7	1.7	1.7	1.7	μA
$V_{CCI}/V_{JTAG} = 1.5\text{ V}$ (per bank) Typical (25°C)	1.2 V / 1.5 V	1.8	1.8	1.8	1.8	1.8	1.8	1.8	1.8	μA
$V_{CCI} / V_{JTAG} = 1.8\text{ V}$ (per bank) Typical (25°C)	1.2 V / 1.5 V	1.9	1.9	1.9	1.9	1.9	1.9	1.9	1.9	μA
$V_{CCI} / V_{JTAG} = 2.5\text{ V}$ (per bank) Typical (25°C)	1.2 V / 1.5 V	2.2	2.2	2.2	2.2	2.2	2.2	2.2	2.2	μA
$V_{CCI} / V_{JTAG} = 3.3\text{ V}$ (per bank) Typical (25°C)	1.2 V / 1.5 V	2.5	2.5	2.5	2.5	2.5	2.5	2.5	2.5	μA

* I_{DD} includes V_{CC} , V_{PUMP} , and V_{CCPLL} currents. Values do not include I/O static contribution (P_{DC6} and P_{DC7}).

Table 2-10 • Quiescent Supply Current (I_{DD}) Characteristics, IGLOO Shutdown Mode (V_{CC} , $V_{CCI} = 0\text{ V}$)*

	Core Voltage	AGL015	AGL030	Units
Typical (25°C)	1.2 V / 1.5 V	0	0	μA

* I_{DD} includes V_{CC} , V_{PUMP} , V_{CCI} , V_{JTAG} , and V_{CCPLL} currents. Values do not include I/O static contribution (P_{DC6} and P_{DC7}).

Table 2-11 • Quiescent Supply Current (I_{DD}), No IGLOO Flash*Freeze Mode¹

	Core Voltage	AGL015	AGL030	AGL060	AGL125	AGL250	AGL400	AGL600	AGL1000	Units
I_{CCA} Current²										
Typical (25°C)	1.2 V	5	6	10	13	18	25	28	42	μA
	1.5 V	14	16	20	28	44	66	82	137	μA
I_{CCI} or I_{JTAG} Current^{3, 4}										
$V_{CCI}/V_{JTAG} = 1.2$ V (per bank) Typical (25°C)	1.2 V	1.7	1.7	1.7	1.7	1.7	1.7	1.7	1.7	μA
$V_{CCI} / V_{JTAG} = 1.5$ V (per bank) Typical (25°C)	1.2 V / 1.5 V	1.8	1.8	1.8	1.8	1.8	1.8	1.8	1.8	μA
$V_{CCI}/V_{JTAG} = 1.8$ V (per bank) Typical (25°C)	1.2 V / 1.5 V	1.9	1.9	1.9	1.9	1.9	1.9	1.9	1.9	μA
$V_{CCI}/V_{JTAG} = 2.5$ V (per bank) Typical (25°C)	1.2 V / 1.5 V	2.2	2.2	2.2	2.2	2.2	2.2	2.2	2.2	μA
$V_{CCI}/V_{JTAG} = 3.3$ V (per bank) Typical (25°C)	1.2 V / 1.5 V	2.5	2.5	2.5	2.5	2.5	2.5	2.5	2.5	μA

Notes:

1. To calculate total device I_{DD} , multiply the number of banks used by I_{CCI} and add I_{CCA} contribution.
2. Includes V_{CC} , V_{PUMP} and V_{CCPLL} currents.
3. Per V_{CCI} or V_{JTAG} bank
4. Values do not include I/O static contribution (P_{DC6} and P_{DC7}).

Power per I/O Pin

**Table 2-12 • Summary of I/O Input Buffer Power (per pin) – Default I/O Software Settings
Applicable to Advanced I/O Banks**

	V_{CC1} (V)	Static Power P_{DC6} (mW) ¹	Dynamic Power P_{AC9} (μ W/MHz) ²
Single-Ended			
3.3 V LVTTTL / 3.3 V LVCMOS	3.3	–	16.27
2.5 V LVCMOS	2.5	–	4.65
1.8 V LVCMOS	1.8	–	1.61
1.5 V LVCMOS (JESD8-11)	1.5	–	0.96
1.2 V LVCMOS ³	1.2	–	0.58
3.3 V PCI	3.3	–	17.67
3.3 V PCI-X	3.3	–	17.67
Differential			
LVDS	2.5	2.26	0.89
LVPECL	3.3	5.72	1.63

Notes:

1. P_{DC6} is the static power (where applicable) measured on V_{CC1} .
2. P_{AC9} is the total dynamic power measured on V_{CC1} .
3. Applicable for IGLOO V2 devices only

**Table 2-13 • Summary of I/O Input Buffer Power (per pin) – Default I/O Software Settings
Applicable to Standard Plus I/O Banks**

	V_{CC1} (V)	Static Power P_{DC6} (mW) ¹	Dynamic Power P_{AC9} (μ W/MHz) ²
Single-Ended			
3.3 V LVTTTL / 3.3 V LVCMOS	3.3	–	16.41
2.5 V LVCMOS	2.5	–	4.75
1.8 V LVCMOS	1.8	–	1.66
1.5 V LVCMOS (JESD8-11)	1.5	–	1.00
1.2 V LVCMOS ³	1.2	–	0.61
3.3 V PCI	3.3	–	17.78
3.3 V PCI-X	3.3	–	17.78

Notes:

1. P_{DC6} is the static power (where applicable) measured on V_{CC1} .
2. P_{AC9} is the total dynamic power measured on V_{CC1} .
3. Applicable for IGLOO V2 devices only.

**Table 2-14 • Summary of I/O Input Buffer Power (per pin) – Default I/O Software Settings
Applicable to Standard I/O Banks**

	V_{CC1} (V)	Static Power P_{DC6} (mW) ¹	Dynamic Power P_{AC9} (μ W/MHz) ²
Single-Ended			
3.3 V LVTTTL / 3.3 V LVCMOS	3.3	–	17.24
2.5 V LVCMOS	2.5	–	5.64
1.8 V LVCMOS	1.8	–	2.63
1.5 V LVCMOS (JESD8-11)	1.5	–	1.97
1.2 V LVCMOS ³	1.2	–	0.57

Notes:

1. P_{DC6} is the static power (where applicable) measured on V_{CC1} .
2. P_{AC9} is the total dynamic power measured on V_{CC1} .
3. Applicable for IGLOO V2 devices only.

**Table 2-15 • Summary of I/O Output Buffer Power (per pin) – Default I/O Software Settings¹
Applicable to Advanced I/O Banks**

	C_{LOAD} (pF)	V_{CC1} (V)	Static Power P_{DC7} (mW) ²	Dynamic Power P_{AC10} (μ W/MHz) ³
Single-Ended				
3.3 V LVTTTL / 3.3 V LVCMOS	5	3.3	–	136.95
2.5 V LVCMOS	5	2.5	–	76.84
1.8 V LVCMOS	5	1.8	–	49.31
1.5 V LVCMOS (JESD8-11)	5	1.5	–	33.36
1.2 V LVCMOS ⁴	5	1.2	–	16.24
3.3 V PCI	10	3.3	–	194.05
3.3 V PCI-X	10	3.3	–	194.05
Differential				
LVDS	–	2.5	7.74	78.72
LVPECL	–	3.3	19.54	143.99

Notes:

1. Dynamic power consumption is given for standard load and software default drive strength and output slew.
2. P_{DC7} is the static power (where applicable) measured on V_{CC1} .
3. P_{AC10} is the total dynamic power measured on V_{CC1} .
4. Applicable for IGLOO V2 devices only.

**Table 2-16 • Summary of I/O Output Buffer Power (per pin) – Default I/O Software Settings¹
Applicable to Standard Plus I/O Banks**

	C_{LOAD} (pF)	V_{CCI} (V)	Static Power P_{DC7} (mW) ²	Dynamic Power P_{AC10} (μ W/MHz) ³
Single-Ended				
3.3 V LVTTTL / 3.3 V LVCMOS	5	3.3	–	122.16
2.5 V LVCMOS	5	2.5	–	68.37
1.8 V LVCMOS	5	1.8	–	34.53
1.5 V LVCMOS (JESD8-11)	5	1.5	–	23.66
1.2 V LVCMOS ⁴	5	1.2	–	14.90
3.3 V PCI	10	3.3	–	181.06
3.3 V PCI-X	10	3.3	–	181.06

Notes:

1. Dynamic power consumption is given for standard load and software default drive strength and output slew.
2. P_{DC7} is the static power (where applicable) measured on V_{CCI} .
3. P_{AC10} is the total dynamic power measured on V_{CCI} .
4. Applicable for IGLOO V2 devices only.

**Table 2-17 • Summary of I/O Output Buffer Power (per pin) – Default I/O Software Settings¹
Applicable to Standard I/O Banks**

	C_{LOAD} (pF)	V_{CCI} (V)	Static Power P_{DC7} (mW) ²	Dynamic Power P_{AC10} (μ W/MHz) ³
Single-Ended				
3.3 V LVTTTL / 3.3 V LVCMOS	5	3.3	–	104.38
2.5 V LVCMOS	5	2.5	–	59.86
1.8 V LVCMOS	5	1.8	–	31.26
1.5 V LVCMOS (JESD8-11)	5	1.5	–	21.96
1.2 V LVCMOS ⁴	5	1.2	–	13.49

Notes:

1. Dynamic power consumption is given for standard load and software default drive strength and output slew.
2. P_{DC7} is the static power (where applicable) measured on V_{CCI} .
3. P_{AC10} is the total dynamic power measured on V_{CCI} .
4. Applicable for IGLOO V2 devices only.

Power Consumption of Various Internal Resources

Table 2-18 • Different Components Contributing to Dynamic Power Consumption in IGLOO Devices For IGLOO V2 or V5 Devices, 1.5 V DC Core Supply Voltage

Parameter	Definition	Device Specific Dynamic Power ($\mu\text{W}/\text{MHz}$)							
		AGL1000	AGL600	AGL400	AGL250	AGL125	AGL060	AGL030	AGL015
P _{AC1}	Clock contribution of a Global Rib	14.48	12.77	12.77	11.03	11.03	9.3	9.3	9.3
P _{AC2}	Clock contribution of a Global Spine	2.48	1.85	1.58	1.58	0.81	0.81	0.41	0.41
P _{AC3}	Clock contribution of a VersaTile row	0.81							
P _{AC4}	Clock contribution of a VersaTile used as a sequential module	0.11							
P _{AC5}	First contribution of a VersaTile used as a sequential module	0.057							
P _{AC6}	Second contribution of a VersaTile used as a sequential module	0.207							
P _{AC7}	Contribution of a VersaTile used as a combinatorial module	0.17							
P _{AC8}	Average contribution of a routing net	0.7							
P _{AC9}	Contribution of an I/O input pin (standard-dependent)	See Table 2-12 on page 2-9 through Table 2-14 on page 2-10.							
P _{AC10}	Contribution of an I/O output pin (standard-dependent)	See Table 2-15 on page 2-10 through Table 2-17 on page 2-11.							
P _{AC11}	Average contribution of a RAM block during a read operation	25.00							
P _{AC12}	Average contribution of a RAM block during a write operation	30.00							
P _{AC13}	Dynamic PLL contribution	2.70							

* For a different output load, drive strength, or slew rate, Actel recommends using the Actel power spreadsheet calculator or SmartPower tool in Actel Libero® Integrated Design Environment (IDE).

Table 2-19 • Different Components Contributing to the Static Power Consumption in IGLOO Devices For IGLOO V2 or V5 Devices, 1.5 V DC Core Supply Voltage

Parameter	Definition	Device-Specific Static Power (mW)							
		AGL1000	AGL600	AGL400	AGL250	AGL125	AGL060	AGL030	AGL015
P _{DC1}	Array static power in Active mode	See Table 2-11 on page 2-8.							
P _{DC2}	Array static power in Static (Idle) mode	See Table 2-10 on page 2-7.							
P _{DC3}	Array static power in Flash*Freeze mode	See Table 2-8 on page 2-7.							
P _{DC4}	Static PLL contribution	1.84							
P _{DC5}	Bank quiescent power (V _{CC1} -dependent)	See Table 2-11 on page 2-8.							
P _{DC6}	I/O input pin static power (standard-dependent)	See Table 2-12 on page 2-9 through Table 2-14 on page 2-10.							
P _{DC7}	I/O output pin static power (standard-dependent)	See Table 2-15 on page 2-10 through Table 2-17 on page 2-11.							

* For a different output load, drive strength, or slew rate, Actel recommends using the Actel power spreadsheet calculator or SmartPower tool in Actel Libero® Integrated Design Environment (IDE).

Table 2-20 • Different Components Contributing to Dynamic Power Consumption in IGLOO Devices For IGLOO V2 Devices, 1.2 V DC Core Supply Voltage

Parameter	Definition	Device Specific Dynamic Power ($\mu\text{W}/\text{MHz}$)							
		AGL1000	AGL600	AGL400	AGL250	AGL125	AGL060	AGL030	AGL015
P _{AC1}	Clock contribution of a Global Rib	9.28	8.19	8.19	7.07	7.07	5.96	5.96	5.96
P _{AC2}	Clock contribution of a Global Spine	1.59	1.19	1.01	1.01	0.52	0.52	0.26	0.26
P _{AC3}	Clock contribution of a VersaTile row	0.52							
P _{AC4}	Clock contribution of a VersaTile used as a sequential module	0.07							
P _{AC5}	First contribution of a VersaTile used as a sequential module	0.045							
P _{AC6}	Second contribution of a VersaTile used as a sequential module	0.186							
P _{AC7}	Contribution of a VersaTile used as a combinatorial module	0.11							
P _{AC8}	Average contribution of a routing net	0.45							
P _{AC9}	Contribution of an I/O input pin (standard-dependent)	See Table 2-12 on page 2-9 through Table 2-14 on page 2-10.							
P _{AC10}	Contribution of an I/O output pin (standard-dependent)	See Table 2-15 on page 2-10 through Table 2-17 on page 2-11.							
P _{AC11}	Average contribution of a RAM block during a read operation	25.00							
P _{AC12}	Average contribution of a RAM block during a write operation	30.00							
P _{AC13}	Dynamic PLL contribution	2.10							

* For a different output load, drive strength, or slew rate, Actel recommends using the Actel power spreadsheet calculator or SmartPower tool in Libero IDE.

Table 2-21 • Different Components Contributing to the Static Power Consumption in IGLOO Device For IGLOO V2 Devices, 1.2 V DC Core Supply Voltage

Parameter	Definition	Device Specific Static Power (mW)							
		AGL1000	AGL600	AGL400	AGL250	AGL125	AGL060	AGL030	AGL015
P _{DC1}	Array static power in Active mode	See Table 2-11 on page 2-8.							
P _{DC2}	Array static power in Static (Idle) mode	See Table 2-10 on page 2-7.							
P _{DC3}	Array static power in Flash*Freeze mode	See Table 2-8 on page 2-7.							
P _{DC4}	Static PLL contribution	0.90							
P _{DC5}	Bank quiescent power (V _{CC1} -Dependent)	See Table 2-11 on page 2-8.							
P _{DC6}	I/O input pin static power (standard-dependent)	See Table 2-12 on page 2-9 through Table 2-14 on page 2-10.							
P _{DC7}	I/O output pin static power (standard-dependent)	See Table 2-15 on page 2-10 through Table 2-17 on page 2-11.							

* For a different output load, drive strength, or slew rate, Actel recommends using the Actel power spreadsheet calculator or SmartPower tool in Actel Libero® Integrated Design Environment (IDE).

Power Calculation Methodology

This section describes a simplified method to estimate power consumption of an application. For more accurate and detailed power estimations, use the SmartPower tool in Actel Libero IDE software.

The power calculation methodology described below uses the following variables:

- The number of PLLs as well as the number and the frequency of each output clock generated
- The number of combinatorial and sequential cells used in the design
- The internal clock frequencies
- The number and the standard of I/O pins used in the design
- The number of RAM blocks used in the design
- Toggle rates of I/O pins as well as VersaTiles—guidelines are provided in [Table 2-22 on page 2-18](#).
- Enable rates of output buffers—guidelines are provided for typical applications in [Table 2-23 on page 2-18](#).
- Read rate and write rate to the memory—guidelines are provided for typical applications in [Table 2-23 on page 2-18](#). The calculation should be repeated for each clock domain defined in the design.

Methodology

Total Power Consumption— P_{TOTAL}

$$P_{TOTAL} = P_{STAT} + P_{DYN}$$

P_{STAT} is the total static power consumption.

P_{DYN} is the total dynamic power consumption.

Total Static Power Consumption— P_{STAT}

$$P_{STAT} = (P_{DC1} \text{ or } P_{DC2} \text{ or } P_{DC3}) + N_{BANKS} * P_{DC5} + N_{INPUTS} * P_{DC6} + N_{OUTPUTS} * P_{DC7}$$

N_{INPUTS} is the number of I/O input buffers used in the design.

$N_{OUTPUTS}$ is the number of I/O output buffers used in the design.

N_{BANKS} is the number of I/O banks powered in the design.

Total Dynamic Power Consumption— P_{DYN}

$$P_{DYN} = P_{CLOCK} + P_{S-CELL} + P_{C-CELL} + P_{NET} + P_{INPUTS} + P_{OUTPUTS} + P_{MEMORY} + P_{PLL}$$

Global Clock Contribution— P_{CLOCK}

$$P_{CLOCK} = (P_{AC1} + N_{SPINE} * P_{AC2} + N_{ROW} * P_{AC3} + N_{S-CELL} * P_{AC4}) * F_{CLK}$$

N_{SPINE} is the number of global spines used in the user design—guidelines are provided in [Table 2-22 on page 2-18](#).

N_{ROW} is the number of VersaTile rows used in the design—guidelines are provided in [Table 2-22 on page 2-18](#).

F_{CLK} is the global clock signal frequency.

N_{S-CELL} is the number of VersaTiles used as sequential modules in the design.

P_{AC1} , P_{AC2} , P_{AC3} , and P_{AC4} are device-dependent.

Sequential Cells Contribution— P_{S-CELL}

$$P_{S-CELL} = N_{S-CELL} * (P_{AC5} + \alpha_1 / 2 * P_{AC6}) * F_{CLK}$$

N_{S-CELL} is the number of VersaTiles used as sequential modules in the design. When a multi-tile sequential cell is used, it should be accounted for as 1.

α_1 is the toggle rate of VersaTile outputs—guidelines are provided in [Table 2-22 on page 2-18](#).

F_{CLK} is the global clock signal frequency.

Combinatorial Cells Contribution— P_{C-CELL}

$$P_{C-CELL} = N_{C-CELL} * \alpha_1 / 2 * P_{AC7} * F_{CLK}$$

N_{C-CELL} is the number of VersaTiles used as combinatorial modules in the design.

α_1 is the toggle rate of VersaTile outputs—guidelines are provided in [Table 2-22 on page 2-18](#).

F_{CLK} is the global clock signal frequency.

Routing Net Contribution— P_{NET}

$$P_{NET} = (N_{S-CELL} + N_{C-CELL}) * \alpha_1 / 2 * P_{AC8} * F_{CLK}$$

N_{S-CELL} is the number of VersaTiles used as sequential modules in the design.

N_{C-CELL} is the number of VersaTiles used as combinatorial modules in the design.

α_1 is the toggle rate of VersaTile outputs—guidelines are provided in [Table 2-22 on page 2-18](#).

F_{CLK} is the global clock signal frequency.

I/O Input Buffer Contribution— P_{INPUTS}

$$P_{INPUTS} = N_{INPUTS} * \alpha_2 / 2 * P_{AC9} * F_{CLK}$$

N_{INPUTS} is the number of I/O input buffers used in the design.

α_2 is the I/O buffer toggle rate—guidelines are provided in [Table 2-22 on page 2-18](#).

F_{CLK} is the global clock signal frequency.

I/O Output Buffer Contribution— $P_{OUTPUTS}$

$$P_{OUTPUTS} = N_{OUTPUTS} * \alpha_2 / 2 * \beta_1 * P_{AC10} * F_{CLK}$$

$N_{OUTPUTS}$ is the number of I/O output buffers used in the design.

α_2 is the I/O buffer toggle rate—guidelines are provided in [Table 2-22 on page 2-18](#).

β_1 is the I/O buffer enable rate—guidelines are provided in [Table 2-23 on page 2-18](#).

F_{CLK} is the global clock signal frequency.

RAM Contribution— P_{MEMORY}

$$P_{MEMORY} = P_{AC11} * N_{BLOCKS} * F_{READ-CLOCK} * \beta_2 + P_{AC12} * N_{BLOCK} * F_{WRITE-CLOCK} * \beta_3$$

N_{BLOCKS} is the number of RAM blocks used in the design.

$F_{READ-CLOCK}$ is the memory read clock frequency.

β_2 is the RAM enable rate for read operations.

$F_{WRITE-CLOCK}$ is the memory write clock frequency.

β_3 is the RAM enable rate for write operations—guidelines are provided in [Table 2-23 on page 2-18](#).

PLL Contribution— P_{PLL}

$$P_{PLL} = P_{DC4} + P_{AC13} * F_{CLKOUT}$$

F_{CLKOUT} is the output clock frequency.¹

1. If a PLL is used to generate more than one output clock, include each output clock in the formula by adding its corresponding contribution ($P_{AC13} * F_{CLKOUT}$ product) to the total PLL contribution.

Guidelines

Toggle Rate Definition

A toggle rate defines the frequency of a net or logic element relative to a clock. It is a percentage. If the toggle rate of a net is 100%, this means that this net switches at half the clock frequency. Below are some examples:

- The average toggle rate of a shift register is 100% because all flip-flop outputs toggle at half of the clock frequency.
- The average toggle rate of an 8-bit counter is 25%:
 - Bit 0 (LSB) = 100%
 - Bit 1 = 50%
 - Bit 2 = 25%
 - ...
 - Bit 7 (MSB) = 0.78125%
 - Average toggle rate = (100% + 50% + 25% + 12.5% + . . . + 0.78125%) / 8

Enable Rate Definition

Output enable rate is the average percentage of time during which tristate outputs are enabled. When nontristate output buffers are used, the enable rate should be 100%.

Table 2-22 • Toggle Rate Guidelines Recommended for Power Calculation

Component	Definition	Guideline
α_1	Toggle rate of VersaTile outputs	10%
α_2	I/O buffer toggle rate	10%

Table 2-23 • Enable Rate Guidelines Recommended for Power Calculation

Component	Definition	Guideline
β_1	I/O output buffer enable rate	100%
β_2	RAM enable rate for read operations	12.5%
β_3	RAM enable rate for write operations	12.5%

User I/O Characteristics

Timing Model

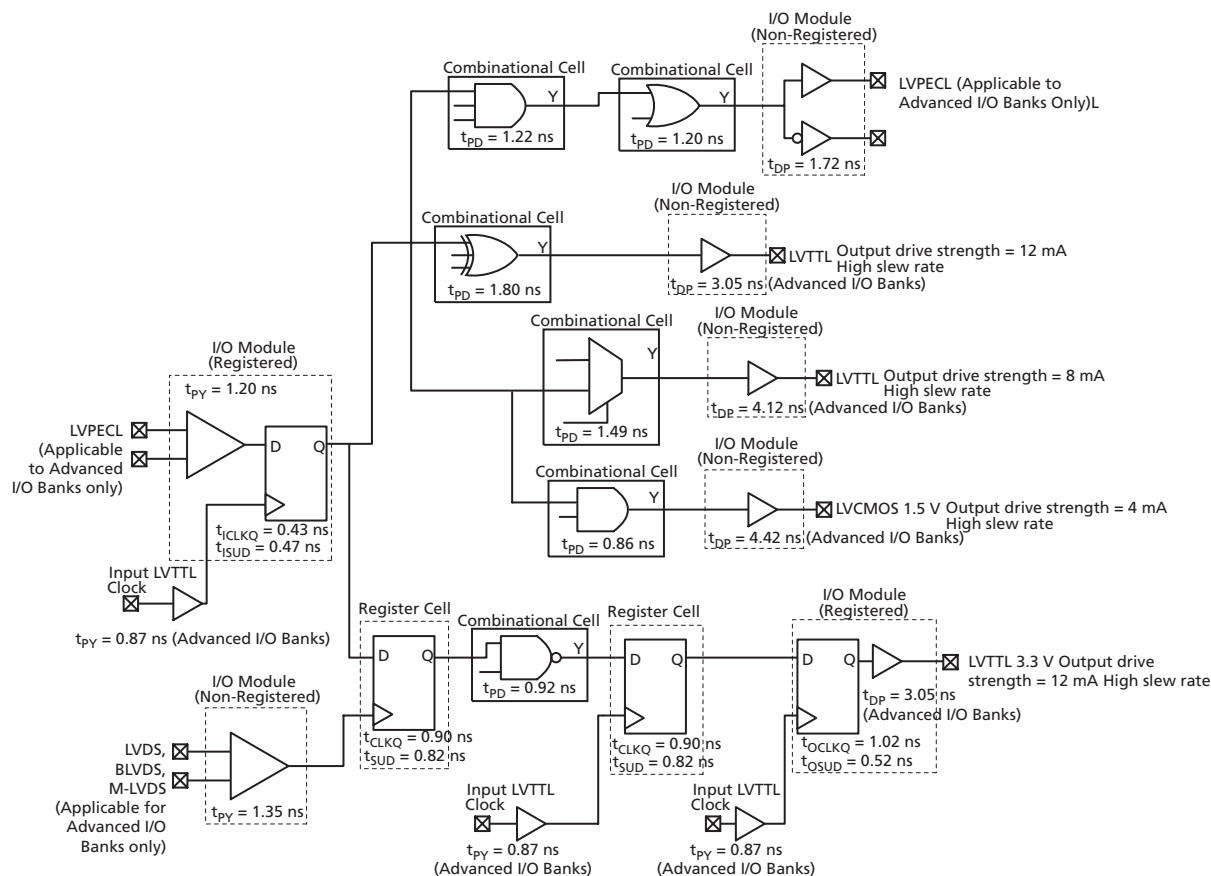


Figure 2-3 • Timing Model
 Operating Conditions: Std. Speed, Commercial Temperature Range ($T_j = 70^\circ\text{C}$), Worst-Case $V_{CC} = 1.425\text{ V}$, for DC 1.5 V Core Voltage, Applicable to V2 and V5 Devices

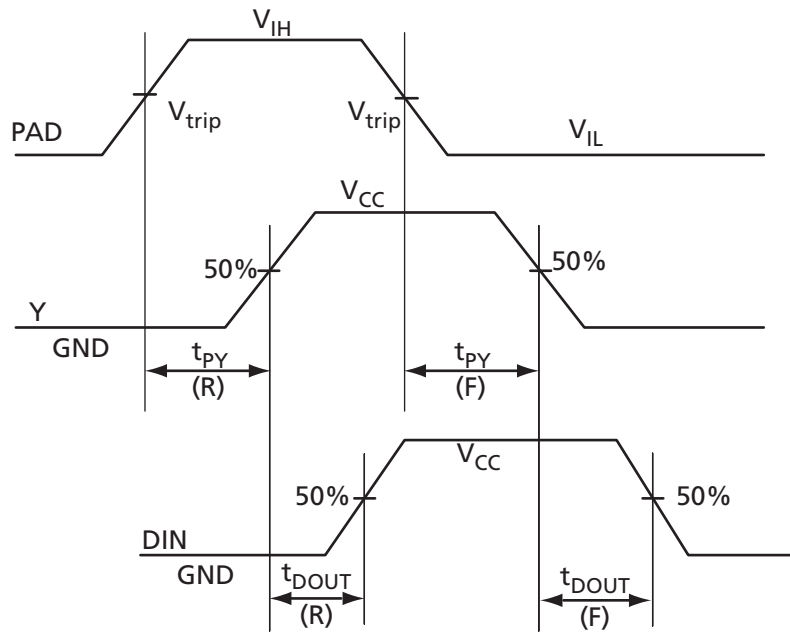
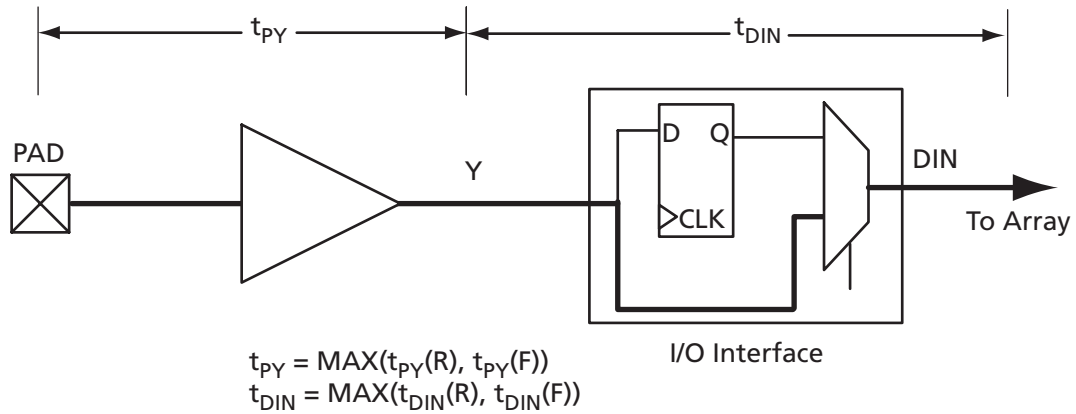


Figure 2-4 • Input Buffer Timing Model and Delays (example)

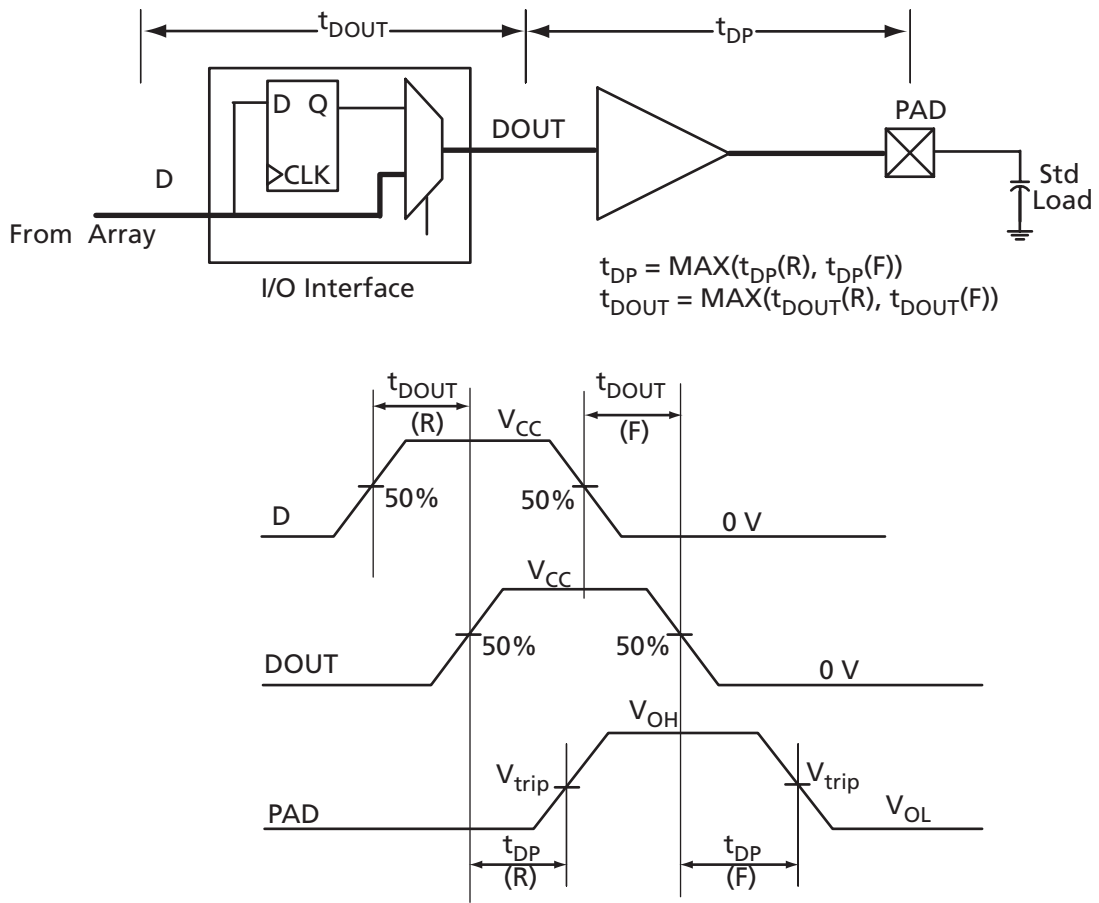


Figure 2-5 • Output Buffer Model and Delays (example)

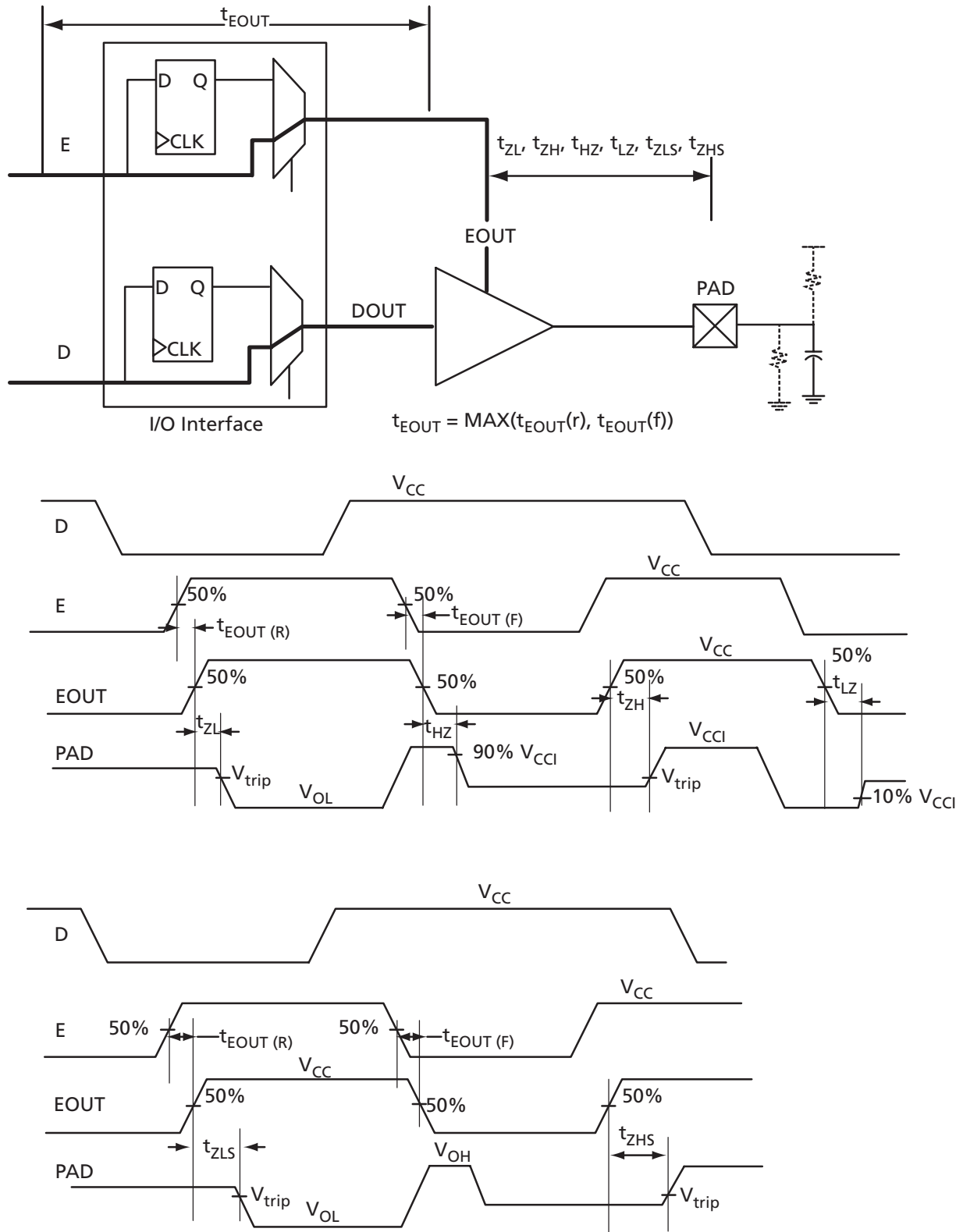


Figure 2-6 • Tristate Output Buffer Timing Model and Delays (example)

Overview of I/O Performance

Summary of I/O DC Input and Output Levels – Default I/O Software Settings

Table 2-24 • Summary of Maximum and Minimum DC Input and Output Levels Applicable to Commercial and Industrial Conditions—Software Default Settings
Applicable to Advanced I/O Banks

I/O Standard	Drive Strength	Slew Rate	V _{IL}		V _{IH}		V _{OL}	V _{OH}	I _{OL} ¹	I _{OH} ¹
			Min., V	Max., V	Min., V	Max., V	Max., V	Min., V	mA	mA
3.3 V LVTTTL / 3.3 V LVCMOS	12 mA	High	-0.3	0.8	2	3.6	0.4	2.4	12	12
3.3 V LVCMOS Wide Range	Any ²	High	-0.3	0.8	2	3.6	0.2	V _{CC1} - 0.2	0.1	0.1
2.5 V LVCMOS	12 mA	High	-0.3	0.7	1.7	2.7	0.7	1.7	12	12
1.8 V LVCMOS	12 mA	High	-0.3	0.35 * V _{CC1}	0.65 * V _{CC1}	1.9	0.45	V _{CC1} - 0.45	12	12
1.5 V LVCMOS	12 mA	High	-0.3	0.35 * V _{CC1}	0.65 * V _{CC1}	1.575	0.25 * V _{CC1}	0.75 * V _{CC1}	12	12
1.2 V LVCMOS ³	2 mA	High	-0.3	0.35 * V _{CC1}	0.65 * V _{CC1}	1.26	0.25 * V _{CC1}	0.75 * V _{CC1}	2	2
3.3 V PCI	Per PCI specifications									
3.3 V PCI-X	Per PCI-X specifications									

Notes:

1. Currents are measured at 85°C junction temperature.
2. All LVCMOS 3.3 V software macros support LVCMOS 3.3 V wide range as specified in the JDEC8a specification.
3. Applicable to V2 Devices only.

Table 2-25 • Summary of Maximum and Minimum DC Input and Output Levels Applicable to Commercial and Industrial Conditions—Software Default Settings
Applicable to Standard Plus I/O Banks

I/O Standard	Drive Strength	Slew Rate	V _{IL}		V _{IH}		V _{OL}	V _{OH}	I _{OL}	I _{OH}
			Min., V	Max, V	Min, V	Max, V	Max, V	Min, V	mA	mA
3.3 V LVTTTL / 3.3 V LVCMOS	12 mA	High	-0.3	0.8	2	3.6	0.4	2.4	12	12
3.3 V LVCMOS Wide Range	Any ²	High	-0.3	0.8	2	3.6	0.2	V _{CC1} - 0.2	0.1	0.1
2.5 V LVCMOS	12 mA	High	-0.3	0.7	1.7	2.7	0.7	1.7	12	12
1.8 V LVCMOS	8 mA	High	-0.3	0.35 * V _{CC1}	0.65 * V _{CC1}	1.9	0.45	V _{CC1} - 0.45	8	8
1.5 V LVCMOS	4 mA	High	-0.3	0.35 * V _{CC1}	0.65 * V _{CC1}	1.575	0.25 * V _{CC1}	0.75 * V _{CC1}	4	4
1.2 V LVCMOS ³	2 mA	High	-0.3	0.35 * V _{CC1}	0.65 * V _{CC1}	1.26	0.25 * V _{CC1}	0.75 * V _{CC1}	2	2
3.3 V PCI	Per PCI specifications									
3.3 V PCI-X	Per PCI-X specifications									

Notes:

1. Currents are measured at 85°C junction temperature.
2. All LVCMOS 3.3 V software macros support LVCMOS 3.3 V wide range as specified in the JDEC8a specification.
3. Applicable to V2 Devices only.

Table 2-26 • Summary of Maximum and Minimum DC Input and Output Levels Applicable to Commercial and Industrial Conditions—Software Default Settings
Applicable to Standard I/O Banks

I/O Standard	Drive Strength	Slew Rate	V_{IL}		V_{IH}		V_{OL}	V_{OH}	I_{OL}^1	I_{OH}^1
			Min, V	Max, V	Min, V	Max, V	Max, V	Min, V	mA	mA
3.3 V LVTTTL / 3.3 V LVCMOS	8 mA	High	-0.3	0.8	2	3.6	0.4	2.4	8	8
3.3 V LVCMOS Wide Range	Any ²	High	-0.3	0.8	2	3.6	0.2	$V_{CC1} - 0.2$	0.1	0.1
2.5 V LVCMOS	8 mA	High	-0.3	0.7	1.7	2.7	0.7	1.7	8	8
1.8 V LVCMOS	4 mA	High	-0.3	$0.35 * V_{CC1}$	$0.65 * V_{CC1}$	1.9	0.45	$V_{CC1} - 0.45$	4	4
1.5 V LVCMOS	2 mA	High	-0.3	$0.35 * V_{CC1}$	$0.65 * V_{CC1}$	1.575	$0.25 * V_{CC1}$	$0.75 * V_{CC1}$	2	2
1.2 V LVCMOS ³	1 mA	High	-0.3	$0.35 * V_{CC1}$	$0.65 * V_{CC1}$	1.26	$0.25 * V_{CC1}$	$0.75 * V_{CC1}$	1	1

Notes:

1. Currents are measured at 85°C junction temperature.
2. All LVCMOS 3.3 V software macros support LVCMOS 3.3 V wide range as specified in the JDEC8a specification.
3. Applicable to V2 Devices only.

Table 2-27 • Summary of Maximum and Minimum DC Input Levels
Applicable to Commercial and Industrial Conditions

DC I/O Standards	Commercial ¹		Industrial ²	
	I_{IL}	I_{IH}	I_{IL}	I_{IH}
	μA	μA	μA	μA
3.3 V LVTTTL / 3.3 V LVCMOS	10	10	15	15
3.3 V LVCMOS Wide Range	10	10	15	15
2.5 V LVCMOS	10	10	15	15
1.8 V LVCMOS	10	10	15	15
1.5 V LVCMOS	10	10	15	15
1.2 V LVCMOS ³	10	10	15	15
3.3 V PCI	10	10	15	15
3.3 V PCI-X	10	10	15	15

Notes:

1. Commercial range ($0^{\circ}C < T_A < 70^{\circ}C$)
2. Industrial range ($-40^{\circ}C < T_A < 85^{\circ}C$)
3. Applicable to V2 Devices only.

Summary of I/O Timing Characteristics – Default I/O Software Settings

Table 2-28 • Summary of AC Measuring Points

Standard	Measuring Trip Point (V_{trip})
3.3 V LVTTTL / 3.3 V LVCMOS	1.4 V
2.5 V LVCMOS	1.2 V
1.8 V LVCMOS	0.90 V
1.5 V LVCMOS	0.75 V
1.2 V LVCMOS	0.60 V
3.3 V PCI	$0.285 * V_{CC1}$ (RR)
	$0.615 * V_{CC1}$ (FF)
3.3 V PCI-X	$0.285 * V_{CC1}$ (RR)
	$0.615 * V_{CC1}$ (FF)

Table 2-29 • I/O AC Parameter Definitions

Parameter	Parameter Definition
t_{DP}	Data to Pad delay through the Output Buffer
t_{PY}	Pad to Data delay through the Input Buffer
t_{DOUT}	Data to Output Buffer delay through the I/O interface
t_{EOUT}	Enable to Output Buffer Tristate Control delay through the I/O interface
t_{DIN}	Input Buffer to Data delay through the I/O interface
t_{HZ}	Enable to Pad delay through the Output Buffer—HIGH to Z
t_{ZH}	Enable to Pad delay through the Output Buffer—Z to HIGH
t_{LZ}	Enable to Pad delay through the Output Buffer—LOW to Z
t_{ZL}	Enable to Pad delay through the Output Buffer—Z to LOW
t_{ZHS}	Enable to Pad delay through the Output Buffer with delayed enable—Z to HIGH
t_{ZLS}	Enable to Pad delay through the Output Buffer with delayed enable—Z to LOW

Table 2-30 • Summary of I/O Timing Characteristics—Software Default Settings, Std. Speed Grade, Commercial-Case Conditions: $T_J = 70^\circ\text{C}$, Worst-Case $V_{CC} = 1.425\text{ V}$, Worst-Case $V_{CCI} = 3.0\text{ V}$
 Applicable to Advanced I/O Banks

I/O Standard	Drive Strength (mA)	Slew Rate	Capacitive Load (pF)	External Resistor (Ω)	t_{DOUT} (ns)	t_{DP} (ns)	t_{DIN} (ns)	t_{PY} (ns)	t_{EOUT} (ns)	t_{ZL} (ns)	t_{ZH} (ns)	t_{LZ} (ns)	t_{HZ} (ns)	t_{ZLS} (ns)	t_{ZHS} (ns)	Units
3.3 V LVTTTL / 3.3 V LVCMOS	12 mA	High	5 pF	–	0.97	2.09	0.19	0.85	0.66	2.13	1.67	2.67	3.04	5.66	5.20	ns
2.5 V LVCMOS	12 mA	High	5 pF	–	0.97	2.09	0.19	1.07	0.66	2.13	1.82	2.73	2.93	5.66	5.35	ns
1.8 V LVCMOS	12 mA	High	5 pF	–	0.97	2.24	0.19	1.01	0.66	2.28	1.99	3.02	3.39	5.81	5.52	ns
1.5 V LVCMOS	12 mA	High	5 pF	–	0.97	2.50	0.19	1.17	0.66	2.55	2.26	3.20	3.48	6.08	5.79	ns
3.3 V PCI	Per PCI spec	High	10pF	25 ²	0.97	2.32	0.19	0.73	0.66	2.36	1.77	2.67	3.04	5.89	5.30	ns
3.3 V PCI-X	Per PCI-X spec	High	10pF	25 ²	0.97	2.32	0.19	0.70	0.66	2.36	1.77	2.67	3.04	5.89	5.30	ns
LVDS	24 mA	High	–	–	0.97	1.67	0.19	1.31	–	–	–	–	–	–	–	ns
LVPECL	24 mA	High	–	–	0.97	1.67	0.19	1.16	–	–	–	–	–	–	–	ns

Notes:

1. For specific junction temperature and voltage supply levels, refer to [Table 2-6 on page 2-6](#) for derating values.
2. Resistance is used to measure I/O propagation delays as defined in PCI specifications. See [Figure 2-12 on page 2-62](#) for connectivity. This resistor is not required during normal operation.

Table 2-31 • Summary of I/O Timing Characteristics—Software Default Settings, Std. Speed Grade, Commercial-Case Conditions: $T_J = 70^\circ\text{C}$, Worst-Case $V_{CC} = 1.425\text{ V}$, Worst-Case $V_{CCI} = 3.0\text{ V}$ Applicable to Standard Plus I/O Banks

I/O Standard	Drive Strength (mA)	Slew Rate	Capacitive Load (pF)	External Resistor (Ω)	t_{DOUT} (ns)	t_{DP} (ns)	t_{DIN} (ns)	t_{PY} (ns)	t_{EOUT} (ns)	t_{ZL} (ns)	t_{ZH} (ns)	t_{LZ} (ns)	t_{HZ} (ns)	t_{ZLS} (ns)	t_{ZHS} (ns)	Units
3.3 V LVTTTL / 3.3 V LVCMOS	12 mA	High	5 pF	–	0.97	1.75	0.19	0.85	0.66	1.78	1.39	2.36	2.79	5.31	4.92	ns
2.5 V LVCMOS	12 mA	High	5 pF	–	0.97	1.75	0.19	1.08	0.66	1.78	1.51	2.38	2.69	5.32	5.04	ns
1.8 V LVCMOS	8 mA	High	5 pF	–	0.97	1.97	0.19	1.01	0.66	2.01	1.76	2.46	2.66	5.54	5.29	ns
1.5 V LVCMOS	4 mA	High	5 pF	–	0.97	2.25	0.19	1.17	0.66	2.29	1.99	2.53	2.68	5.82	5.52	ns
3.3 V PCI	Per PCI spec	High	10pF	25 ²	0.97	1.96	0.19	0.73	0.66	2.00	1.50	2.36	2.79	5.53	5.03	ns
3.3 V PCI-X	Per PCI-X spec	High	10pF	25 ²	0.97	1.96	0.19	0.70	0.66	2.00	1.50	2.36	2.79	5.53	5.03	ns

Notes:

1. For specific junction temperature and voltage supply levels, refer to [Table 2-6 on page 2-6](#) for derating values.
2. Resistance is used to measure I/O propagation delays as defined in PCI specifications. See [Figure 2-12 on page 2-62](#) for connectivity. This resistor is not required during normal operation.

Table 2-32 • Summary of I/O Timing Characteristics—Software Default Settings, Std. Speed Grade, Commercial-Case Conditions: $T_J = 70^\circ\text{C}$, Worst-Case $V_{CC} = 1.425\text{ V}$, Worst-Case $V_{CCI} = 3.0\text{ V}$ Applicable to Standard I/O Banks

I/O Standard	Drive Strength (mA)	Slew Rate	Capacitive Load (pF)	External Resistor (Ω)	t_{DOUT} (ns)	t_{DP} (ns)	t_{DIN} (ns)	t_{PY} (ns)	t_{EOUT} (ns)	t_{ZL} (ns)	t_{ZH} (ns)	t_{LZ} (ns)	t_{HZ} (ns)	Units
3.3 V LVTTTL / 3.3 V LVCMOS	8 mA	High	5 pF	–	0.97	1.85	0.19	0.83	0.66	1.88	1.45	1.96	2.26	ns
2.5 V LVCMOS	8 mA	High	5 pF	–	0.97	1.88	0.19	1.04	0.66	1.92	1.62	1.95	2.14	ns
1.8 V LVCMOS	4 mA	High	5 pF	–	0.97	2.18	0.19	0.98	0.66	2.22	1.93	1.96	2.06	ns
1.5 V LVCMOS	2 mA	High	5 pF	–	0.97	2.51	0.19	1.13	0.66	2.56	2.20	1.99	2.03	ns

Notes:

1. For specific junction temperature and voltage supply levels, refer to [Table 2-6 on page 2-6](#) for derating values.
2. Resistance is used to measure I/O propagation delays as defined in PCI specifications. See [Figure 2-12 on page 2-62](#) for connectivity. This resistor is not required during normal operation.

Table 2-33 • Summary of I/O Timing Characteristics—Software Default Settings, Std. Speed Grade, Commercial-Case Conditions: $T_J = 70^\circ\text{C}$, Worst-Case $V_{CC} = 1.14\text{ V}$, Worst-Case $V_{CCI} = 3.0\text{ V}$
 Applicable to Advanced I/O Banks

I/O Standard	Drive Strength (mA)	Slew Rate	Capacitive Load (pF)	External Resistor (Ω)	t_{DOUT} (ns)	t_{DP} (ns)	t_{DIN} (ns)	t_{PY} (ns)	t_{EOUT} (ns)	t_{ZL} (ns)	t_{ZH} (ns)	t_{LZ} (ns)	t_{HZ} (ns)	t_{ZLS} (ns)	t_{ZHS} (ns)	Units
3.3 V LVTTTL / 3.3 V LVCMOS	12 mA	High	5 pF	–	1.55	2.66	0.26	0.98	1.10	2.71	2.18	3.23	3.92	8.52	7.99	ns
2.5 V LVCMOS	12 mA	High	5 pF	–	1.55	2.63	0.26	1.20	1.10	2.68	2.30	3.28	3.77	8.48	8.10	ns
1.8 V LVCMOS	12 mA	High	5 pF	–	1.55	2.71	0.26	1.11	1.10	2.76	2.44	3.56	4.17	8.57	8.24	ns
1.5 V LVCMOS	12 mA	High	5 pF	–	1.55	2.95	0.26	1.27	1.10	3.00	2.70	3.74	4.21	8.81	8.51	ns
1.2 V LVCMOS	2 mA	High	5 p	–	1.55	3.61	0.26	1.58	1.10	3.45	3.33	3.94	3.66	9.05	8.93	ns
3.3 V PCI	Per PCI spec	High	10pF	25 ²	1.55	2.90	0.26	0.86	1.10	2.95	2.29	3.23	3.92	8.76	8.10	ns
3.3 V PCI-X	Per PCI-X spec	High	10pF	25 ²	1.55	2.90	0.25	0.86	1.10	2.95	2.29	3.23	3.92	8.76	8.10	ns
LVDS	24 mA	High	–	–	1.55	2.19	0.25	1.52	–	–	–	–	–	–	–	ns
LVPECL	24 mA	High	–	–	1.55	2.24	0.25	1.37	–	–	–	–	–	–	–	ns

Notes:

1. For specific junction temperature and voltage supply levels, refer to [Table 2-7 on page 2-7](#) for derating values.
2. Resistance is used to measure I/O propagation delays as defined in PCI specifications. See [Figure 2-12 on page 2-62](#) for connectivity. This resistor is not required during normal operation.

Table 2-34 • Summary of I/O Timing Characteristics—Software Default Settings, Std. Speed Grade, Commercial-Case Conditions: $T_J = 70^\circ\text{C}$, Worst-Case $V_{CC} = 1.14\text{ V}$, Worst-Case $V_{CCI} = 3.0\text{ V}$ Applicable to Standard Plus I/O Banks

I/O Standard	Drive Strength (mA)	Slew Rate	Capacitive Load (pF)	External Resistor (Ω)	t_{DOUT} (ns)	t_{DP} (ns)	t_{DIN} (ns)	t_{PY} (ns)	t_{EOUT} (ns)	t_{ZL} (ns)	t_{ZH} (ns)	t_{LZ} (ns)	t_{HZ} (ns)	t_{ZLS} (ns)	t_{ZHS} (ns)	Units
3.3 V LVTTTL / 3.3 V LVCMOS	12 mA	High	5 pF	–	1.55	2.30	0.26	0.97	1.10	2.34	1.87	2.91	3.62	8.15	7.67	ns
2.5 V LVCMOS	12 mA	High	5 pF	–	1.55	2.28	0.26	1.20	1.10	2.32	1.95	2.92	3.50	8.13	7.75	ns
1.8 V LVCMOS	8 mA	High	5 pF	–	1.55	2.42	0.26	1.11	1.10	2.47	2.16	2.98	3.38	8.28	7.97	ns
1.5 V LVCMOS	4 mA	High	5 pF	–	1.55	2.67	0.26	1.27	1.10	2.72	2.39	3.05	3.36	8.53	8.20	ns
1.2 V LVCMOS	2 mA	High	5 pF	–	1.55	3.23	0.26	1.58	1.10	3.09	2.76	3.30	3.49	8.69	8.36	ns
3.3 V PCI	Per PCI spec	High	10pF	25 ²	1.55	2.52	0.26	0.85	1.10	2.57	1.98	2.91	3.62	8.37	7.78	ns
3.3 V PCI-X	Per PCI-X spec	High	10pF	25 ²	1.55	2.52	0.25	0.85	1.10	2.57	1.98	2.91	3.62	8.37	7.78	ns

Notes:

1. For specific junction temperature and voltage supply levels, refer to [Table 2-7 on page 2-7](#) for derating values.
2. Resistance is used to measure I/O propagation delays as defined in PCI specifications. See [Figure 2-12 on page 2-62](#) for connectivity. This resistor is not required during normal operation.

Table 2-35 • Summary of I/O Timing Characteristics—Software Default Settings, Std. Speed Grade, Commercial-Case Conditions: $T_J = 70^\circ\text{C}$, Worst-Case $V_{CC} = 1.14\text{ V}$, Worst-Case $V_{CCI} = 3.0\text{ V}$ Applicable to Standard I/O Banks

I/O Standard	Drive Strength (mA)	Slew Rate	Capacitive Load (pF)	External Resistor (Ω)	t_{DOUT} (ns)	t_{DP} (ns)	t_{DIN} (ns)	t_{PY} (ns)	t_{EOUT} (ns)	t_{ZL} (ns)	t_{ZH} (ns)	t_{LZ} (ns)	t_{HZ} (ns)	Units
3.3 V LVTTTL / 3.3 V LVCMOS	8 mA	High	5 pF	–	1.55	2.37	0.26	0.94	1.10	2.42	1.92	2.39	2.94	ns
2.5 V LVCMOS	8 mA	High	5 pF	–	1.55	2.38	0.26	1.15	1.10	2.42	2.05	2.37	2.79	ns
1.8 V LVCMOS	4 mA	High	5 pF	–	1.55	2.60	0.26	1.08	1.10	2.64	2.33	2.37	2.61	ns
1.5 V LVCMOS	2 mA	High	5 pF	–	1.55	2.91	0.26	1.22	1.10	2.96	2.60	2.39	2.54	ns
1.2 V LVCMOS	1 mA	High	5 pF	–	1.55	3.60	0.26	1.52	1.10	3.45	3.04	2.52	2.50	ns

Notes:

1. For specific junction temperature and voltage supply levels, refer to [Table 2-7 on page 2-7](#) for derating values.
2. Resistance is used to measure I/O propagation delays as defined in PCI specifications. See [Figure 2-12 on page 2-62](#) for connectivity. This resistor is not required during normal operation.

Detailed I/O DC Characteristics

Table 2-36 • Input Capacitance

Symbol	Definition	Conditions	Min.	Max.	Units
C_{IN}	Input capacitance	$V_{IN} = 0, f = 1.0 \text{ MHz}$		8	pF
C_{INCLK}	Input capacitance on the clock pin	$V_{IN} = 0, f = 1.0 \text{ MHz}$		8	pF

**Table 2-37 • I/O Output Buffer Maximum Resistances¹
Applicable to Advanced I/O Banks**

Standard	Drive Strength	$R_{PULL-DOWN}$ (Ω) ²	$R_{PULL-UP}$ (Ω) ³
3.3 V LVTTTL / 3.3 V LVCMOS	2 mA	100	300
	4 mA	100	300
	6 mA	50	150
	8 mA	50	150
	12 mA	25	75
	16 mA	17	50
	24 mA	11	33
2.5 V LVCMOS	2 mA	100	300
	4 mA	100	300
	6 mA	50	150
	8 mA	50	150
	12 mA	25	75
	16 mA	17	50
	24 mA	11	33
1.8 V LVCMOS	2 mA	100	200
	4 mA	100	200
	6 mA	50	100
	8 mA	50	100
	12 mA	25	50
	16 mA	20	40
1.5 V LVCMOS	2 mA	200	224
	4 mA	100	112
	6 mA	67	75
	8 mA	33	37
	12 mA	33	37
1.2 V LVCMOS	2 mA	TBD	TBD
3.3 V PCI/PCI-X	Per PCI/PCI-X specification	25	75

Notes:

1. These maximum values are provided for informational reasons only. Minimum output buffer resistance values depend on V_{CC} , drive strength selection, temperature, and process. For board design considerations and detailed output buffer resistances, use the corresponding IBIS models located on the Actel website at <http://www.actel.com/download/libis/default.aspx>.
2. $R_{(PULL-DOWN-MAX)} = (V_{OLspec}) / I_{OLspec}$
3. $R_{(PULL-UP-MAX)} = (V_{CCImax} - V_{OHspec}) / I_{OHspec}$

Table 2-38 • I/O Output Buffer Maximum Resistances¹
Applicable to Standard Plus I/O Banks

Standard	Drive Strength	R _{PULL-DOWN} (Ω) ²	R _{PULL-UP} (Ω) ³
3.3 V LVTTTL / 3.3 V LVCMOS	2 mA	100	300
	4 mA	100	300
	6 mA	50	150
	8 mA	50	150
	12 mA	25	75
	16 mA	25	75
2.5 V LVCMOS	2 mA	100	200
	4 mA	100	200
	6 mA	50	100
	8 mA	50	100
	12 mA	25	50
1.8 V LVCMOS	2 mA	200	225
	4 mA	100	112
	6 mA	50	56
	8 mA	50	56
1.5 V LVCMOS	2 mA	200	224
	4 mA	100	112
1.2 V LVCMOS	2 mA	TBD	TBD
3.3 V PCI/PCI-X	Per PCI/PCI-X specification	25	75

Notes:

1. These maximum values are provided for informational reasons only. Minimum output buffer resistance values depend on V_{CC} , drive strength selection, temperature, and process. For board design considerations and detailed output buffer resistances, use the corresponding IBIS models located on the Actel website at <http://www.actel.com/download/libis/default.aspx>.
2. $R_{(PULL-DOWN-MAX)} = (V_{OLspec}) / I_{OLspec}$
3. $R_{(PULL-UP-MAX)} = (V_{CCImax} - V_{OHspec}) / I_{OHspec}$

**Table 2-39 • I/O Output Buffer Maximum Resistances¹
Applicable to Standard I/O Banks**

Standard	Drive Strength	R _{PULL-DOWN} (Ω) ²	R _{PULL-UP} (Ω) ³
3.3 V LVTTTL / 3.3 V LVCMOS	2 mA	100	300
	4 mA	100	300
	6 mA	50	150
	8 mA	50	150
2.5 V LVCMOS	2 mA	100	200
	4 mA	100	200
	6 mA	50	100
	8 mA	50	100
1.8 V LVCMOS	2 mA	200	225
	4 mA	100	112
1.5 V LVCMOS	2 mA	200	224
1.2 V LVCMOS	1 mA	TBD	TBD

Notes:

1. These maximum values are provided for informational reasons only. Minimum output buffer resistance values depend on V_{CCk} , drive strength selection, temperature, and process. For board design considerations and detailed output buffer resistances, use the corresponding IBIS models located on the Actel website at <http://www.actel.com/download/ibis/default.aspx>.
2. $R_{(PULL-DOWN-MAX)} = (V_{OLspec}) / I_{OLspec}$
3. $R_{(PULL-UP-MAX)} = (V_{CCImax} - V_{OHspec}) / I_{OHspec}$

**Table 2-40 • I/O Weak Pull-Up/Pull-Down Resistances
Minimum and Maximum Weak Pull-Up/Pull-Down Resistance Values**

V _{CCi}	R _(WEAK PULL-UP) ¹ (Ω)		R _(WEAK PULL-DOWN) ² (Ω)	
	Min.	Max.	Min.	Max.
3.3 V	10 k	45 k	10 k	45 k
2.5 V	11 k	55 k	12 k	74 k
1.8 V	18 k	70 k	17 k	110 k
1.5 V	19 k	90 k	19 k	140 k
1.2 V	TBD	TBD	TBD	TBD

Notes:

1. $R_{(WEAK PULL-UP-MAX)} = (V_{OLspec}) / I_{(WEAK PULL-UP-MIN)}$
2. $R_{(WEAK PULL-UP-MAX)} = (V_{CCImax} - V_{OHspec}) / I_{(WEAK PULL-UP-MIN)}$

**Table 2-41 • I/O Short Currents I_{OSH}/I_{OSL}
Applicable to Advanced I/O Banks**

	Drive Strength	I_{OSL} (mA)*	I_{OSH} (mA)*
3.3 V LVTTTL / 3.3 V LVCMOS	2 mA	25	27
	4 mA	25	27
	6 mA	51	54
	8 mA	51	54
	12 mA	103	109
	16 mA	132	127
	24 mA	268	181
2.5 V LVCMOS	2 mA	16	18
	4 mA	16	18
	6 mA	32	37
	8 mA	32	37
	12 mA	65	74
	16 mA	83	87
	24 mA	169	124
1.8 V LVCMOS	2 mA	9	11
	4 mA	17	22
	6 mA	35	44
	8 mA	45	51
	12 mA	91	74
	16 mA	91	74
1.5 V LVCMOS	2 mA	13	16
	4 mA	25	33
	6 mA	32	39
	8 mA	66	55
	12 mA	66	55
1.2 V LVCMOS	2 mA	TBD	TBD
3.3 V PCI/PCI-X	Per PCI/PCI-X specification	103	109

 * $T_J = 100^\circ\text{C}$

**Table 2-42 • I/O Short Currents I_{OSH}/I_{OSL}
Applicable to Standard Plus I/O Banks**

	Drive Strength	I_{OSL} (mA)*	I_{OSH} (mA)*
3.3 V LVTTTL / 3.3 V LVCMOS	2 mA	25	27
	4 mA	25	27
	6 mA	51	54
	8 mA	51	54
	12 mA	103	109
	16 mA	103	109
2.5 V LVCMOS	2 mA	16	18
	4 mA	16	18
	6 mA	32	37
	8 mA	32	37
	12 mA	65	74
1.8 V LVCMOS	2 mA	9	11
	4 mA	17	22
	6 mA	35	44
	8 mA	35	44
1.5 V LVCMOS	2 mA	13	16
	4 mA	25	33
1.2 V LVCMOS	2 mA	TBD	TBD
3.3 V PCI/PCI-X	Per PCI/PCI-X specification	103	109

* $T_J = 100^\circ\text{C}$

**Table 2-43 • I/O Short Currents I_{OSH}/I_{OSL}
Applicable to Standard I/O Banks**

	Drive Strength	I_{OSL} (mA)*	I_{OSH} (mA)*
3.3 V LVTTTL / 3.3 V LVCMOS	2 mA	25	27
	4 mA	25	27
	6 mA	51	54
	8 mA	51	54
2.5 V LVCMOS	2 mA	16	18
	4 mA	16	18
	6 mA	32	37
	8 mA	32	37
1.8 V LVCMOS	2 mA	9	11
	4 mA	17	22
1.5 V LVCMOS	2 mA	13	16
1.2 V LVCMOS	1 mA	TBD	TBD

* $T_J = 100^\circ\text{C}$

The length of time an I/O can withstand I_{OSH}/I_{OSL} events depends on the junction temperature. The reliability data below is based on a 3.3 V, 12 mA I/O setting, which is the worst case for this type of analysis.

For example, at 110°C, the short current condition would have to be sustained for more than three months to cause a reliability concern. The I/O design does not contain any short circuit protection, but such protection would only be needed in extremely prolonged stress conditions.

Table 2-44 • Duration of Short Circuit Event before Failure

Temperature	Time before Failure
-40°C	> 20 years
0°C	> 20 years
25°C	> 20 years
70°C	5 years
85°C	2 years
100°C	6 months
110°C	3 months

Table 2-45 • I/O Input Rise Time, Fall Time, and Related I/O Reliability

Input Buffer	Input Rise/Fall Time (min.)	Input Rise/Fall Time (max.)	Reliability
LVTTTL/LVCMOS	No requirement	10 ns *	20 years (110°C)
LVDS/B-LVDS/M-LVDS/LVPECL	No requirement	10 ns *	10 years (100°C)

* The maximum input rise/fall time is related to the noise induced into the input buffer trace. If the noise is low, then the rise time and fall time of input buffers can be increased beyond the maximum value. The longer the rise/fall times, the more susceptible the input signal is to the board noise. Actel recommends signal integrity evaluation/characterization of the system to ensure that there is no excessive noise coupling into input signals.

Single-Ended I/O Characteristics

3.3 V LVTTTL / 3.3 V LVCMOS

Low-Voltage Transistor–Transistor Logic (LVTTTL) is a general-purpose standard (EIA/JESD) for 3.3 V applications. It uses an LVTTTL input buffer and push-pull output buffer. Furthermore, all LVCMOS 3.3 V software macros comply with LVCMOS 3.3 V wide range as specified in the JESD8a specification.

Table 2-46 • Minimum and Maximum DC Input and Output Levels
Applicable to Advanced I/O Banks

3.3 V LVTTTL / 3.3 V LVCMOS	V_{IL}		V_{IH}		V_{OL}	V_{OH}	I_{OL}	I_{OH}	I_{OSL}	I_{OSH}	I_{IL}	I_{IH}
	Min., V	Max., V	Min., V	Max., V	Max., V	Min., V	mA	mA	Max., mA ¹	Max., mA ¹	μA ²	μA ²
2 mA	-0.3	0.8	2	3.6	0.4	2.4	2	2	25	27	10	10
4 mA	-0.3	0.8	2	3.6	0.4	2.4	4	4	25	27	10	10
6 mA	-0.3	0.8	2	3.6	0.4	2.4	6	6	51	54	10	10
8 mA	-0.3	0.8	2	3.6	0.4	2.4	8	8	51	54	10	10
12 mA	-0.3	0.8	2	3.6	0.4	2.4	12	12	103	109	10	10
16 mA	-0.3	0.8	2	3.6	0.4	2.4	16	16	132	127	10	10
24 mA	-0.3	0.8	2	3.6	0.4	2.4	24	24	268	181	10	10

Notes:

1. Currents are measured at 100°C junction temperature and maximum voltage.
2. Currents are measured at 85°C junction temperature.
3. Software default selection highlighted in gray.

Table 2-47 • Minimum and Maximum DC Input and Output Levels
Applicable to Standard Plus I/O Banks

3.3 V LVTTTL / 3.3 V LVCMOS	V_{IL}		V_{IH}		V_{OL}	V_{OH}	I_{OL}	I_{OH}	I_{OSL}	I_{OSH}	I_{IL}	I_{IH}
	Min., V	Max., V	Min., V	Max., V	Max., V	Min., V	mA	mA	Max., mA ¹	Max., mA ¹	μA ²	μA ²
2 mA	-0.3	0.8	2	3.6	0.4	2.4	2	2	25	27	10	10
4 mA	-0.3	0.8	2	3.6	0.4	2.4	4	4	25	27	10	10
6 mA	-0.3	0.8	2	3.6	0.4	2.4	6	6	51	54	10	10
8 mA	-0.3	0.8	2	3.6	0.4	2.4	8	8	51	54	10	10
12 mA	-0.3	0.8	2	3.6	0.4	2.4	12	12	103	109	10	10
16 mA	-0.3	0.8	2	3.6	0.4	2.4	16	16	103	109	10	10

Notes:

1. Currents are measured at 100°C junction temperature and maximum voltage.
2. Currents are measured at 85°C junction temperature.
3. Software default selection highlighted in gray.

Table 2-48 • Minimum and Maximum DC Input and Output Levels
 Applicable to Standard I/O Banks

3.3 V LVTTTL / 3.3 V LVCMOS	V_{IL}		V_{IH}		V_{OL}	V_{OH}	I_{OL}	I_{OH}	I_{OSL}	I_{OSH}	I_{IL}	I_{IH}
	Min., V	Max., V	Min., V	Max., V	Max., V	Min., V	mA	mA	Max., mA ¹	Max., mA ¹	μA^2	μA^2
2 mA	-0.3	0.8	2	3.6	0.4	2.4	2	2	25	27	10	10
4 mA	-0.3	0.8	2	3.6	0.4	2.4	4	4	25	27	10	10
6 mA	-0.3	0.8	2	3.6	0.4	2.4	6	6	51	54	10	10
8 mA	-0.3	0.8	2	3.6	0.4	2.4	8	8	51	54	10	10

Notes:

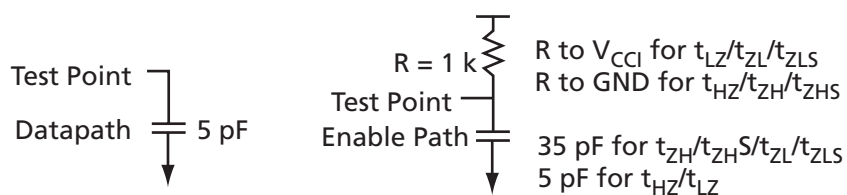
1. Currents are measured at 100°C junction temperature and maximum voltage.
2. Currents are measured at 85°C junction temperature.
3. Software default selection highlighted in gray.

Table 2-49 • Minimum and Maximum DC Input and Output Levels for LVCMOS 3.3 V Wide Range
 Applicable to Advanced, Standard Plus, and Standard I/O Banks

3.3 V LVCMOS Wide Range	V_{IL}		V_{IH}		V_{OL}	V_{OH}	I_{OL}	I_{OH}	I_{IL}	I_{IH}
	Min., V	Max., V	Min., V	Max., V	Max., V	Min., V	mA	mA	μA^2	μA^2
All ²	-0.3	0.8	2	3.6	0.2	$V_{CCI} - 0.2$	0.1	0.1	10	10

Notes:

1. Currents are measured at 100°C junction temperature and maximum voltage.
2. All LVCMOS 3.3 V software macros support LVCMOS 3.3 V wide range as specified in the JDEC8a specification.


Figure 2-7 • AC Loading
Table 2-50 • AC Waveforms, Measuring Points, and Capacitive Loads

Input LOW (V)	Input HIGH (V)	Measuring Point* (V)	C_{LOAD} (pF)
0	3.3	1.4	5

* Measuring point = V_{trip} . See Table 2-28 on page 2-25 for a complete table of trip points.

Timing Characteristics

Applies to 1.5 V DC Core Voltage

Table 2-51 • 3.3 V LVTTTL / 3.3 V LVCMOS Low Slew – Applies to 1.5 V DC Core Voltage
 Commercial-Case Conditions: $T_J = 70^\circ\text{C}$, Worst-Case $V_{CC} = 1.425\text{ V}$, Worst-Case $V_{CCI} = 3.0\text{ V}$
 Applicable to Advanced I/O Banks

Drive Strength	Speed Grade	t_{DOUT}	t_{DP}	t_{DIN}	t_{PY}	t_{EOUT}	t_{ZL}	t_{ZH}	t_{LZ}	t_{HZ}	t_{ZLS}	t_{ZHS}	Units
4 mA	Std.	0.97	4.46	0.19	0.85	0.66	4.55	3.88	2.24	2.19	8.08	7.41	ns
6 mA	Std.	0.97	3.74	0.19	0.85	0.66	3.81	3.36	2.49	2.63	7.34	6.89	ns
8 mA	Std.	0.97	3.74	0.19	0.85	0.66	3.81	3.36	2.49	2.63	7.34	6.89	ns
12 mA	Std.	0.97	3.23	0.19	0.85	0.66	3.29	2.97	2.66	2.91	6.82	6.50	ns
16 mA	Std.	0.97	3.08	0.19	0.85	0.66	3.13	2.88	2.70	2.99	6.66	6.41	ns
24 mA	Std.	0.97	3.00	0.19	0.85	0.66	3.05	2.90	2.74	3.27	6.58	6.43	ns

Note: For specific junction temperature and voltage supply levels, refer to [Table 2-6 on page 2-6](#) for derating values.

Table 2-52 • 3.3 V LVTTTL / 3.3 V LVCMOS High Slew – Applies to 1.5 V DC Core Voltage
 Commercial-Case Conditions: $T_J = 70^\circ\text{C}$, Worst-Case $V_{CC} = 1.425\text{ V}$, Worst-Case $V_{CCI} = 3.0\text{ V}$
 Applicable to Advanced I/O Banks

Drive Strength	Speed Grade	t_{DOUT}	t_{DP}	t_{DIN}	t_{PY}	t_{EOUT}	t_{ZL}	t_{ZH}	t_{LZ}	t_{HZ}	t_{ZLS}	t_{ZHS}	Units
4 mA	Std.	0.97	2.73	0.19	0.85	0.66	2.78	2.21	2.25	2.31	6.31	5.74	ns
6 mA	Std.	0.97	2.31	0.19	0.85	0.66	2.36	1.84	2.50	2.76	5.89	5.37	ns
8 mA	Std.	0.97	2.31	0.19	0.85	0.66	2.36	1.84	2.50	2.76	5.89	5.37	ns
12 mA	Std.	0.97	2.09	0.19	0.85	0.66	2.13	1.67	2.67	3.04	5.66	5.20	ns
16 mA	Std.	0.97	2.05	0.19	0.85	0.66	2.09	1.63	2.70	3.12	5.62	5.16	ns
24 mA	Std.	0.97	2.07	0.19	0.85	0.66	2.11	1.59	2.75	3.41	5.64	5.12	ns

Notes:

1. Software default selection highlighted in gray.
2. For specific junction temperature and voltage supply levels, refer to [Table 2-6 on page 2-6](#) for derating values.

Table 2-53 • 3.3 V LVTTTL / 3.3 V LVCMOS Low Slew – Applies to 1.5 V DC Core Voltage
 Commercial-Case Conditions: $T_J = 70^\circ\text{C}$, Worst-Case $V_{CC} = 1.425\text{ V}$, Worst-Case $V_{CCI} = 3.0\text{ V}$
 Applicable to Standard Plus Banks

Drive Strength	Speed Grade	t_{DOUT}	t_{DP}	t_{DIN}	t_{PY}	t_{EOUT}	t_{ZL}	t_{ZH}	t_{LZ}	t_{HZ}	t_{ZLS}	t_{ZHS}	Units
4 mA	Std.	0.97	3.94	0.19	0.85	0.66	4.01	3.45	1.98	2.02	7.54	6.98	ns
6 mA	Std.	0.97	3.24	0.19	0.85	0.66	3.30	2.98	2.20	2.42	6.83	6.51	ns
8 mA	Std.	0.97	3.24	0.19	0.85	0.66	3.30	2.98	2.20	2.42	6.83	6.51	ns
12 mA	Std.	0.97	2.76	0.19	0.85	0.66	2.81	2.62	2.36	2.68	6.35	6.15	ns
16 mA	Std.	0.97	2.76	0.19	0.85	0.66	2.81	2.62	2.36	2.68	6.35	6.15	ns

Note: For specific junction temperature and voltage supply levels, refer to [Table 2-6 on page 2-6](#) for derating values.

Table 2-54 • 3.3 V LVTTTL / 3.3 V LVCMOS High Slew – Applies to 1.5 V DC Core Voltage
 Commercial-Case Conditions: $T_J = 70^\circ\text{C}$, Worst-Case $V_{CC} = 1.425\text{ V}$, Worst-Case $V_{CCI} = 3.0\text{ V}$
 Applicable to Standard Plus Banks

Drive Strength	Speed Grade	t_{DOUT}	t_{DP}	t_{DIN}	t_{PY}	t_{EOUT}	t_{ZL}	t_{ZH}	t_{LZ}	t_{HZ}	t_{ZLS}	t_{ZHS}	Units
4 mA	Std.	0.97	2.32	0.19	0.85	0.66	2.36	1.89	1.98	2.13	5.89	5.42	ns
6 mA	Std.	0.97	1.94	0.19	0.85	0.66	1.98	1.56	2.20	2.53	5.51	5.09	ns
8 mA	Std.	0.97	1.94	0.19	0.85	0.66	1.98	1.56	2.20	2.53	5.51	5.09	ns
12 mA	Std.	0.97	1.75	0.19	0.85	0.66	1.78	1.39	2.36	2.79	5.31	4.92	ns
16 mA	Std.	0.97	1.75	0.19	0.85	0.66	1.78	1.39	2.36	2.79	5.31	4.92	ns

Notes:

1. Software default selection highlighted in gray.
2. For specific junction temperature and voltage supply levels, refer to [Table 2-6 on page 2-6](#) for derating values.

Table 2-55 • 3.3 V LVTTTL / 3.3 V LVCMOS Low Slew – Applies to 1.5 V DC Core Voltage
 Commercial-Case Conditions: $T_J = 70^\circ\text{C}$, Worst-Case $V_{CC} = 1.425\text{ V}$, Worst-Case $V_{CCI} = 3.0\text{ V}$
 Applicable to Standard Banks

Drive Strength	Speed Grade	t_{DOUT}	t_{DP}	t_{DIN}	t_{PY}	t_{EOUT}	t_{ZL}	t_{ZH}	t_{LZ}	t_{HZ}	Units
2 mA	Std.	0.97	3.80	0.19	0.83	0.66	3.87	3.40	1.74	1.78	ns
4 mA	Std.	0.97	3.80	0.19	0.83	0.66	3.87	3.40	1.74	1.78	ns
6 mA	Std.	0.97	3.15	0.19	0.83	0.66	3.20	2.93	1.96	2.17	ns
8 mA	Std.	0.97	3.15	0.19	0.83	0.66	3.20	2.93	1.96	2.17	ns

Note: For specific junction temperature and voltage supply levels, refer to [Table 2-6 on page 2-6](#) for derating values.

Table 2-56 • 3.3 V LVTTTL / 3.3 V LVCMOS High Slew – Applies to 1.5 V DC Core Voltage
 Commercial-Case Conditions: $T_J = 70^\circ\text{C}$, Worst-Case $V_{CC} = 1.425\text{ V}$, Worst-Case $V_{CCI} = 3.0\text{ V}$
 Applicable to Standard Banks

Drive Strength	Speed Grade	t_{DOUT}	t_{DP}	t_{DIN}	t_{PY}	t_{EOUT}	t_{ZL}	t_{ZH}	t_{LZ}	t_{HZ}	Units
2 mA	Std.	0.97	2.19	0.19	0.83	0.66	2.23	1.79	1.74	1.87	ns
4 mA	Std.	0.97	2.19	0.19	0.83	0.66	2.23	1.79	1.74	1.87	ns
6 mA	Std.	0.97	1.85	0.19	0.83	0.66	1.88	1.45	1.96	2.26	ns
8 mA	Std.	0.97	1.85	0.19	0.83	0.66	1.88	1.45	1.96	2.26	ns

Notes:

1. Software default selection highlighted in gray.
2. For specific junction temperature and voltage supply levels, refer to [Table 2-6 on page 2-6](#) for derating values.

Applies to 1.2 V DC Core Voltage

Table 2-57 • 3.3 V LVTTTL / 3.3 V LVCMOS Low Slew – Applies to 1.2 V DC Core Voltage
 Commercial-Case Conditions: $T_J = 70^\circ\text{C}$, Worst-Case $V_{CC} = 1.14\text{ V}$, Worst-Case $V_{CCI} = 3.0\text{ V}$
 Applicable to Advanced I/O Banks

Drive Strength	Speed Grade	t_{DOUT}	t_{DP}	t_{DIN}	t_{PY}	t_{EOUT}	t_{ZL}	t_{ZH}	t_{LZ}	t_{HZ}	t_{ZLS}	t_{ZHS}	Units
4 mA	Std.	1.55	5.11	0.26	0.98	1.10	5.21	4.47	2.80	3.01	11.01	10.28	ns
6 mA	Std.	1.55	4.37	0.26	0.98	1.10	4.45	3.93	3.05	3.46	10.26	9.74	ns
8 mA	Std.	1.55	4.37	0.26	0.98	1.10	4.45	3.93	3.05	3.46	10.26	9.74	ns
12 mA	Std.	1.55	3.84	0.26	0.98	1.10	3.91	3.53	3.23	3.75	9.72	9.34	ns
16 mA	Std.	1.55	3.68	0.26	0.98	1.10	3.75	3.44	3.27	3.83	9.56	9.25	ns
24 mA	Std.	1.55	3.60	0.26	0.98	1.10	3.67	3.46	3.31	4.12	9.48	9.27	ns

Note: For specific junction temperature and voltage supply levels, refer to [Table 2-7 on page 2-7](#) for derating values.

Table 2-58 • 3.3 V LVTTTL / 3.3 V LVCMOS High Slew – Applies to 1.2 V DC Core Voltage
 Commercial-Case Conditions: $T_J = 70^\circ\text{C}$, Worst-Case $V_{CC} = 1.14\text{ V}$, Worst-Case $V_{CCI} = 3.0\text{ V}$
 Applicable to Advanced I/O Banks

Drive Strength	Speed Grade	t_{DOUT}	t_{DP}	t_{DIN}	t_{PY}	t_{EOUT}	t_{ZL}	t_{ZH}	t_{LZ}	t_{HZ}	t_{ZLS}	t_{ZHS}	Units
4 mA	Std.	1.55	3.32	0.26	0.98	1.10	3.38	2.75	2.80	3.16	9.19	8.56	ns
6 mA	Std.	1.55	2.90	0.26	0.98	1.10	2.95	2.37	3.06	3.62	8.76	8.18	ns
8 mA	Std.	1.55	2.90	0.26	0.98	1.10	2.95	2.37	3.06	3.62	8.76	8.18	ns
12 mA	Std.	1.55	2.66	0.26	0.98	1.10	2.71	2.18	3.23	3.92	8.52	7.99	ns
16 mA	Std.	1.55	2.62	0.26	0.98	1.10	2.67	2.15	3.27	3.99	8.48	7.95	ns
24 mA	Std.	1.55	2.64	0.26	0.98	1.10	2.69	2.10	3.32	4.29	8.50	7.91	ns

Notes:

1. Software default selection highlighted in gray.
2. For specific junction temperature and voltage supply levels, refer to [Table 2-7 on page 2-7](#) for derating values.

Table 2-59 • 3.3 V LVTTTL / 3.3 V LVCMOS Low Slew – Applies to 1.2 V DC Core Voltage
 Commercial-Case Conditions: $T_J = 70^\circ\text{C}$, Worst-Case $V_{CC} = 1.14\text{ V}$, Worst-Case $V_{CCI} = 3.0\text{ V}$
 Applicable to Standard Plus Banks

Drive Strength	Speed Grade	t_{DOUT}	t_{DP}	t_{DIN}	t_{PY}	t_{EOUT}	t_{ZL}	t_{ZH}	t_{LZ}	t_{HZ}	t_{ZLS}	t_{ZHS}	Units
4 mA	Std.	1.55	4.55	0.26	0.97	1.10	4.64	3.98	2.52	2.81	10.44	9.79	ns
6 mA	Std.	1.55	3.83	0.26	0.97	1.10	3.90	3.50	2.75	3.22	9.71	9.31	ns
8 mA	Std.	1.55	3.83	0.26	0.97	1.10	3.90	3.50	2.75	3.22	9.71	9.31	ns
12 mA	Std.	1.55	3.34	0.26	0.97	1.10	3.40	3.13	2.92	3.49	9.21	8.94	ns
16 mA	Std.	1.55	3.34	0.26	0.97	1.10	3.40	3.13	2.92	3.49	9.21	8.94	ns

Note: For specific junction temperature and voltage supply levels, refer to [Table 2-7 on page 2-7](#) for derating values.

Table 2-60 • 3.3 V LVTTTL / 3.3 V LVCMOS High Slew – Applies to 1.2 V DC Core Voltage
 Commercial-Case Conditions: $T_J = 70^\circ\text{C}$, Worst-Case $V_{CC} = 1.14\text{ V}$, Worst-Case $V_{CCI} = 3.0\text{ V}$
 Applicable to Standard Plus Banks

Drive Strength	Speed Grade	t_{DOUT}	t_{DP}	t_{DIN}	t_{PY}	t_{EOUT}	t_{ZL}	t_{ZH}	t_{LZ}	t_{HZ}	t_{ZLS}	t_{ZHS}	Units
4 mA	Std.	1.55	2.88	0.26	0.97	1.10	2.93	2.38	2.52	2.94	8.74	8.19	ns
6 mA	Std.	1.55	2.49	0.26	0.97	1.10	2.54	2.04	2.75	3.36	8.35	7.85	ns
8 mA	Std.	1.55	2.49	0.26	0.97	1.10	2.54	2.04	2.75	3.36	8.35	7.85	ns
12 mA	Std.	1.55	2.30	0.26	0.97	1.10	2.34	1.87	2.91	3.62	8.15	7.67	ns
16 mA	Std.	1.55	2.30	0.26	0.97	1.10	2.34	1.87	2.91	3.62	8.15	7.67	ns

Notes:

1. Software default selection highlighted in gray.
2. For specific junction temperature and voltage supply levels, refer to [Table 2-7 on page 2-7](#) for derating values.

Table 2-61 • 3.3 V LVTTTL / 3.3 V LVCMOS Low Slew – Applies to 1.2 V DC Core Voltage
 Commercial-Case Conditions: $T_J = 70^\circ\text{C}$, Worst-Case $V_{CC} = 1.14\text{ V}$, Worst-Case $V_{CCI} = 3.0\text{ V}$
 Applicable to Standard Banks

Drive Strength	Speed Grade	t_{DOUT}	t_{DP}	t_{DIN}	t_{PY}	t_{EOUT}	t_{ZL}	t_{ZH}	t_{LZ}	t_{HZ}	Units
2 mA	Std.	1.55	4.38	0.26	0.94	1.10	4.46	3.91	2.16	2.43	ns
4 mA	Std.	1.55	4.38	0.26	0.94	1.10	4.46	3.91	2.16	2.43	ns
6 mA	Std.	1.55	3.71	0.26	0.94	1.10	3.78	3.43	2.39	2.83	ns
8 mA	Std.	1.55	3.71	0.26	0.94	1.10	3.78	3.43	2.39	2.83	ns

Note: For specific junction temperature and voltage supply levels, refer to [Table 2-7 on page 2-7](#) for derating values.

Table 2-62 • 3.3 V LVTTTL / 3.3 V LVCMOS High Slew – Applies to 1.2 V DC Core Voltage
 Commercial-Case Conditions: $T_J = 70^\circ\text{C}$, Worst-Case $V_{CC} = 1.14\text{ V}$, Worst-Case $V_{CCI} = 3.0\text{ V}$
 Applicable to Standard Banks

Drive Strength	Speed Grade	t_{DOUT}	t_{DP}	t_{DIN}	t_{PY}	t_{EOUT}	t_{ZL}	t_{ZH}	t_{LZ}	t_{HZ}	Units
2 mA	Std.	1.55	2.73	0.26	0.94	1.10	2.78	2.26	2.16	2.54	ns
4 mA	Std.	1.55	2.73	0.26	0.94	1.10	2.78	2.26	2.16	2.54	ns
6 mA	Std.	1.55	2.37	0.26	0.94	1.10	2.42	1.92	2.39	2.94	ns
8 mA	Std.	1.55	2.37	0.26	0.94	1.10	2.42	1.92	2.39	2.94	ns

Notes:

1. Software default selection highlighted in gray.
2. For specific junction temperature and voltage supply levels, refer to [Table 2-7 on page 2-7](#) for derating values.

2.5 V LVCMOS

Low-Voltage CMOS for 2.5 V is an extension of the LVCMOS standard (JESD8-5) used for general-purpose 2.5 V applications. It uses a 5 V-tolerant input buffer and push-pull output buffer.

Table 2-63 • Minimum and Maximum DC Input and Output Levels
Applicable to Advanced I/O Banks

2.5 V LVCMOS	V _{IL}		V _{IH}		V _{OL}	V _{OH}	I _{OL}	I _{OH}	I _{OSH}	I _{OSL}	I _{IL}	I _{IH}
	Min., V	Max., V	Min., V	Max., V	Max., V	Min., V	mA	mA	Max., mA ¹	Max., mA ¹	μA ²	μA ²
2 mA	-0.3	0.7	1.7	2.7	0.7	1.7	2	2	16	18	10	10
4 mA	-0.3	0.7	1.7	2.7	0.7	1.7	4	4	16	18	10	10
6 mA	-0.3	0.7	1.7	2.7	0.7	1.7	6	6	32	37	10	10
8 mA	-0.3	0.7	1.7	2.7	0.7	1.7	8	8	32	37	10	10
12 mA	-0.3	0.7	1.7	2.7	0.7	1.7	12	12	65	74	10	10
16 mA	-0.3	0.7	1.7	2.7	0.7	1.7	16	16	83	87	10	10
24 mA	-0.3	0.7	1.7	2.7	0.7	1.7	24	24	169	124	10	10

Notes:

1. Currents are measured at 100°C junction temperature and maximum voltage.
2. Currents are measured at 85°C junction temperature.
3. Software default selection highlighted in gray.

Table 2-64 • Minimum and Maximum DC Input and Output Levels
Applicable to Standard Plus I/O Banks

2.5 V LVCMOS	V _{IL}		V _{IH}		V _{OL}	V _{OH}	I _{OL}	I _{OH}	I _{OSH}	I _{OSL}	I _{IL}	I _{IH}
	Min., V	Max., V	Min., V	Max., V	Max., V	Min., V	mA	mA	Max., mA ¹	Max., mA ¹	μA ²	μA ²
2 mA	-0.3	0.7	1.7	2.7	0.7	1.7	2	2	16	18	10	10
4 mA	-0.3	0.7	1.7	2.7	0.7	1.7	4	4	16	18	10	10
6 mA	-0.3	0.7	1.7	2.7	0.7	1.7	6	6	32	37	10	10
8 mA	-0.3	0.7	1.7	2.7	0.7	1.7	8	8	32	37	10	10
12 mA	-0.3	0.7	1.7	2.7	0.7	1.7	12	12	65	74	10	10

Notes:

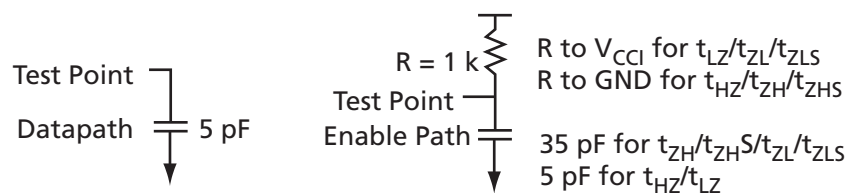
1. Currents are measured at 100°C junction temperature and maximum voltage.
2. Currents are measured at 85°C junction temperature.
3. Software default selection highlighted in gray.

Table 2-65 • Minimum and Maximum DC Input and Output Levels
 Applicable to Standard I/O Banks

2.5 V LVCMOS	V_{IL}		V_{IH}		V_{OL}	V_{OH}	I_{OL}	I_{OH}	I_{OSH}	I_{OSL}	I_{IL}	I_{IH}
	Min., V	Max., V	Min., V	Max., V	Max., V	Min., V	mA	mA	Max., mA ¹	Max., mA ¹	μA^2	μA^2
2 mA	-0.3	0.7	1.7	2.7	0.7	1.7	2	2	16	18	10	10
4 mA	-0.3	0.7	1.7	2.7	0.7	1.7	4	4	16	18	10	10
6 mA	-0.3	0.7	1.7	2.7	0.7	1.7	6	6	32	37	10	10
8 mA	-0.3	0.7	1.7	2.7	0.7	1.7	8	8	32	37	10	10

Notes:

1. Currents are measured at 100°C junction temperature and maximum voltage.
2. Currents are measured at 85°C junction temperature.
3. Software default selection highlighted in gray.


Figure 2-8 • AC Loading
Table 2-66 • AC Waveforms, Measuring Points, and Capacitive Loads

Input LOW (V)	Input HIGH (V)	Measuring Point* (V)	C_{LOAD} (pF)
0	2.5	1.2	5

* Measuring point = V_{trip} . See Table 2-28 on page 2-25 for a complete table of trip points.

Timing Characteristics

Applies to 1.5 V DC Core Voltage

Table 2-67 • 2.5 V LVC MOS Low Slew – Applies to 1.5 V DC Core Voltage
 Commercial-Case Conditions: $T_J = 70^\circ\text{C}$, Worst-Case $V_{CC} = 1.425\text{ V}$, Worst-Case $V_{CCI} = 2.3\text{ V}$
 Applicable to Advanced I/O Banks

Drive Strength	Speed Grade	t_{DOUT}	t_{DP}	t_{DIN}	t_{PY}	t_{EOUT}	t_{ZL}	t_{ZH}	t_{LZ}	t_{HZ}	t_{ZLS}	t_{ZHS}	Units
4 mA	Std.	0.97	4.96	0.19	1.07	0.66	5.05	4.58	2.26	1.99	8.58	8.11	ns
6 mA	Std.	0.97	4.15	0.19	1.07	0.66	4.23	3.93	2.54	2.51	7.76	7.46	ns
8 mA	Std.	0.97	4.15	0.19	1.07	0.66	4.23	3.93	2.54	2.51	7.76	7.46	ns
12 mA	Std.	0.97	3.57	0.19	1.07	0.66	3.64	3.46	2.73	2.83	7.17	6.99	ns
16 mA	Std.	0.97	3.39	0.19	1.07	0.66	3.45	3.35	2.77	2.92	6.98	6.88	ns
24 mA	Std.	0.97	3.37	0.19	1.07	0.66	3.37	3.37	2.83	3.25	6.90	6.90	ns

Note: For specific junction temperature and voltage supply levels, refer to [Table 2-6 on page 2-6](#) for derating values.

Table 2-68 • 2.5 V LVC MOS High Slew – Applies to 1.5 V DC Core Voltage
 Commercial-Case Conditions: $T_J = 70^\circ\text{C}$, Worst-Case $V_{CC} = 1.425\text{ V}$, Worst-Case $V_{CCI} = 2.3\text{ V}$
 Applicable to Advanced I/O Banks

Drive Strength	Speed Grade	t_{DOUT}	t_{DP}	t_{DIN}	t_{PY}	t_{EOUT}	t_{ZL}	t_{ZH}	t_{LZ}	t_{HZ}	t_{ZLS}	t_{ZHS}	Units
4 mA	Std.	0.97	2.77	0.19	1.07	0.66	2.82	2.59	2.26	2.08	6.35	6.12	ns
6 mA	Std.	0.97	2.34	0.19	1.07	0.66	2.38	2.07	2.54	2.60	5.91	5.60	ns
8 mA	Std.	0.97	2.34	0.19	1.07	0.66	2.38	2.07	2.54	2.60	5.91	5.60	ns
12 mA	Std.	0.97	2.09	0.19	1.07	0.66	2.13	1.82	2.73	2.93	5.66	5.35	ns
16 mA	Std.	0.97	2.04	0.19	1.07	0.66	2.08	1.77	2.77	3.01	5.61	5.31	ns
24 mA	Std.	0.97	2.05	0.19	1.07	0.66	2.09	1.71	2.83	3.35	5.62	5.24	ns

Notes:

1. Software default selection highlighted in gray.
2. For specific junction temperature and voltage supply levels, refer to [Table 2-6 on page 2-6](#) for derating values.

Table 2-69 • 2.5 V LVC MOS Low Slew – Applies to 1.5 V DC Core Voltage
 Commercial-Case Conditions: $T_J = 70^\circ\text{C}$, Worst-Case $V_{CC} = 1.425\text{ V}$, Worst-Case $V_{CCI} = 2.3\text{ V}$
 Applicable to Standard Plus Banks

Drive Strength	Speed Grade	t_{DOUT}	t_{DP}	t_{DIN}	t_{PY}	t_{EOUT}	t_{ZL}	t_{ZH}	t_{LZ}	t_{HZ}	t_{ZLS}	t_{ZHS}	Units
4 mA	Std.	0.97	4.42	0.19	1.08	0.66	4.50	4.09	1.96	1.85	8.03	7.62	ns
6 mA	Std.	0.97	3.62	0.19	1.08	0.66	3.69	3.51	2.21	2.31	7.22	7.04	ns
8 mA	Std.	0.97	3.62	0.19	1.08	0.66	3.69	3.51	2.21	2.31	7.22	7.04	ns
12 mA	Std.	0.97	3.08	0.19	1.08	0.66	3.14	3.08	2.39	2.61	6.67	6.61	ns

Note: For specific junction temperature and voltage supply levels, refer to [Table 2-6 on page 2-6](#) for derating values.

Table 2-70 • 2.5 V LVC MOS High Slew – Applies to 1.5 V DC Core Voltage
 Commercial-Case Conditions: $T_J = 70^\circ\text{C}$, Worst-Case $V_{CC} = 1.425\text{ V}$, Worst-Case $V_{CCI} = 2.3\text{ V}$
 Applicable to Standard Plus Banks

Drive Strength	Speed Grade	t_{DOUT}	t_{DP}	t_{DIN}	t_{PY}	t_{EOUT}	t_{ZL}	t_{ZH}	t_{LZ}	t_{HZ}	t_{ZLS}	t_{ZHS}	Units
4 mA	Std.	0.97	2.36	0.19	1.08	0.66	2.40	2.21	1.96	1.92	5.93	5.74	ns
6 mA	Std.	0.97	1.97	0.19	1.08	0.66	2.00	1.74	2.21	2.39	5.53	5.27	ns
8 mA	Std.	0.97	1.97	0.19	1.08	0.66	2.00	1.74	2.21	2.39	5.53	5.27	ns
12 mA	Std.	0.97	1.75	0.19	1.08	0.66	1.78	1.51	2.38	2.69	5.32	5.04	ns

Notes:

1. Software default selection highlighted in gray.
2. For specific junction temperature and voltage supply levels, refer to [Table 2-6 on page 2-6](#) for derating values.

Table 2-71 • 2.5 V LVC MOS Low Slew – Applies to 1.5 V DC Core Voltage
 Commercial-Case Conditions: $T_J = 70^\circ\text{C}$, Worst-Case $V_{CC} = 1.425\text{ V}$, Worst-Case $V_{CCI} = 2.3\text{ V}$
 Applicable to Standard Banks

Drive Strength	Speed Grade	t_{DOUT}	t_{DP}	t_{DIN}	t_{PY}	t_{EOUT}	t_{ZL}	t_{ZH}	t_{LZ}	t_{HZ}	Units
2 mA	Std.	0.97	4.27	0.19	1.04	0.66	4.35	4.06	1.71	1.62	ns
4 mA	Std.	0.97	4.27	0.19	1.04	0.66	4.35	4.06	1.71	1.62	ns
6 mA	Std.	0.97	3.54	0.19	1.04	0.66	3.60	3.47	1.95	2.07	ns
8 mA	Std.	0.97	3.54	0.19	1.04	0.66	3.60	3.47	1.95	2.07	ns

Note: For specific junction temperature and voltage supply levels, refer to [Table 2-6 on page 2-6](#) for derating values.

Table 2-72 • 2.5 V LVC MOS High Slew – Applies to 1.5 V DC Core Voltage
 Commercial-Case Conditions: $T_J = 70^\circ\text{C}$, Worst-Case $V_{CC} = 1.425\text{ V}$, Worst-Case $V_{CCI} = 2.3\text{ V}$
 Applicable to Standard Banks

Drive Strength	Speed Grade	t_{DOUT}	t_{DP}	t_{DIN}	t_{PY}	t_{EOUT}	t_{ZL}	t_{ZH}	t_{LZ}	t_{HZ}	Units
2 mA	Std.	0.97	2.24	0.19	1.04	0.66	2.28	2.08	1.71	1.68	ns
4 mA	Std.	0.97	2.24	0.19	1.04	0.66	2.28	2.08	1.71	1.68	ns
6 mA	Std.	0.97	1.88	0.19	1.04	0.66	1.92	1.62	1.95	2.14	ns
8 mA	Std.	0.97	1.88	0.19	1.04	0.66	1.92	1.62	1.95	2.14	ns

Notes:

1. Software default selection highlighted in gray.
2. For specific junction temperature and voltage supply levels, refer to [Table 2-6 on page 2-6](#) for derating values.

Applies to 1.2 V Core Voltage

Table 2-73 • 2.5 V LCMOS Low Slew – Applies to 1.2 V DC Core Voltage
 Commercial-Case Conditions: $T_J = 70^\circ\text{C}$, Worst-Case $V_{CC} = 1.14\text{ V}$, Worst-Case $V_{CCI} = 2.3\text{ V}$
 Applicable to Advanced I/O Banks

Drive Strength	Speed Grade	t_{DOUT}	t_{DP}	t_{DIN}	t_{PY}	t_{EOUT}	t_{ZL}	t_{ZH}	t_{LZ}	t_{HZ}	t_{ZLS}	t_{ZHS}	Units
4 mA	Std.	1.55	5.58	0.26	1.20	1.10	5.68	5.14	2.80	2.78	11.49	10.95	ns
6 mA	Std.	1.55	4.75	0.26	1.20	1.10	4.84	4.47	3.09	3.31	10.65	10.28	ns
8 mA	Std.	1.55	4.75	0.26	1.20	1.10	4.84	4.47	3.09	3.31	10.65	10.28	ns
12 mA	Std.	1.55	4.15	0.26	1.20	1.10	4.23	3.99	3.28	3.65	10.04	9.80	ns
16 mA	Std.	1.55	3.97	0.26	1.20	1.10	4.04	3.88	3.33	3.74	9.85	9.69	ns
24 mA	Std.	1.55	3.90	0.26	1.20	1.10	3.96	3.90	3.38	4.07	9.77	9.71	ns

Note: For specific junction temperature and voltage supply levels, refer to [Table 2-7 on page 2-7](#) for derating values.

Table 2-74 • 2.5 V LCMOS High Slew – Applies to 1.2 V DC Core Voltage
 Commercial-Case Conditions: $T_J = 70^\circ\text{C}$, Worst-Case $V_{CC} = 1.14\text{ V}$, Worst-Case $V_{CCI} = 2.3\text{ V}$
 Applicable to Advanced I/O Banks

Drive Strength	Speed Grade	t_{DOUT}	t_{DP}	t_{DIN}	t_{PY}	t_{EOUT}	t_{ZL}	t_{ZH}	t_{LZ}	t_{HZ}	t_{ZLS}	t_{ZHS}	Units
4 mA	Std.	1.55	3.32	0.26	1.20	1.10	3.38	3.09	2.80	2.89	9.19	8.90	ns
6 mA	Std.	1.55	2.88	0.26	1.20	1.10	2.93	2.56	3.09	3.43	8.74	8.37	ns
8 mA	Std.	1.55	2.88	0.26	1.20	1.10	2.93	2.56	3.09	3.43	8.74	8.37	ns
12 mA	Std.	1.55	2.63	0.26	1.20	1.10	2.68	2.30	3.28	3.77	8.48	8.10	ns
16 mA	Std.	1.55	2.58	0.26	1.20	1.10	2.63	2.25	3.33	3.86	8.44	8.06	ns
24 mA	Std.	1.55	2.59	0.26	1.20	1.10	2.64	2.19	3.39	4.21	8.45	8.00	ns

Notes:

1. Software default selection highlighted in gray.
2. For specific junction temperature and voltage supply levels, refer to [Table 2-7 on page 2-7](#) for derating values.

Table 2-75 • 2.5 V LCMOS Low Slew – Applies to 1.2 V DC Core Voltage
 Commercial-Case Conditions: $T_J = 70^\circ\text{C}$, Worst-Case $V_{CC} = 1.14\text{ V}$, Worst-Case $V_{CCI} = 2.3\text{ V}$
 Applicable to Standard Plus Banks

Drive Strength	Speed Grade	t_{DOUT}	t_{DP}	t_{DIN}	t_{PY}	t_{EOUT}	t_{ZL}	t_{ZH}	t_{LZ}	t_{HZ}	t_{ZLS}	t_{ZHS}	Units
4 mA	Std.	1.55	5.01	0.26	1.20	1.10	5.11	4.60	2.49	2.60	10.92	10.41	ns
6 mA	Std.	1.55	4.20	0.26	1.20	1.10	4.28	4.00	2.74	3.08	10.08	9.81	ns
8 mA	Std.	1.55	4.20	0.26	1.20	1.10	4.28	4.00	2.74	3.08	10.08	9.81	ns
12 mA	Std.	1.55	3.64	0.26	1.20	1.10	3.71	3.56	2.92	3.39	9.52	9.36	ns

Note: For specific junction temperature and voltage supply levels, refer to [Table 2-7 on page 2-7](#) for derating values.

Table 2-76 • 2.5 V LCMOS High Slew – Applies to 1.2 V DC Core Voltage
 Commercial-Case Conditions: $T_J = 70^\circ\text{C}$, Worst-Case $V_{CC} = 1.14\text{ V}$, Worst-Case $V_{CCI} = 2.3\text{ V}$
 Applicable to Standard Plus Banks

Drive Strength	Speed Grade	t_{DOUT}	t_{DP}	t_{DIN}	t_{PY}	t_{EOUT}	t_{ZL}	t_{ZH}	t_{LZ}	t_{HZ}	t_{ZLS}	t_{ZHS}	Units
4 mA	Std.	1.55	2.90	0.26	1.20	1.10	2.95	2.66	2.48	2.70	8.76	8.47	ns
6 mA	Std.	1.55	2.50	0.26	1.20	1.10	2.54	2.18	2.74	3.19	8.35	7.99	ns
8 mA	Std.	1.55	2.50	0.26	1.20	1.10	2.54	2.18	2.74	3.19	8.35	7.99	ns
12 mA	Std.	1.55	2.28	0.26	1.20	1.10	2.32	1.95	2.92	3.50	8.13	7.75	ns

Notes:

1. Software default selection highlighted in gray.
2. For specific junction temperature and voltage supply levels, refer to [Table 2-7 on page 2-7](#) for derating values.

Table 2-77 • 2.5 V LCMOS Low Slew – Applies to 1.2 V DC Core Voltage
 Commercial-Case Conditions: $T_J = 70^\circ\text{C}$, Worst-Case $V_{CC} = 1.14\text{ V}$, Worst-Case $V_{CCI} = 2.3\text{ V}$
 Applicable to Standard Banks

Drive Strength	Speed Grade	t_{DOUT}	t_{DP}	t_{DIN}	t_{PY}	t_{EOUT}	t_{ZL}	t_{ZH}	t_{LZ}	t_{HZ}	Units
2 mA	Std.	1.55	4.84	0.26	1.15	1.10	4.93	4.56	2.12	2.22	ns
4 mA	Std.	1.55	4.84	0.26	1.15	1.10	4.93	4.56	2.12	2.22	ns
6 mA	Std.	1.55	4.08	0.26	1.15	1.10	4.16	3.96	2.37	2.69	ns
8 mA	Std.	1.55	4.08	0.26	1.15	1.10	4.16	3.96	2.37	2.69	ns

Note: For specific junction temperature and voltage supply levels, refer to [Table 2-7 on page 2-7](#) for derating values.

Table 2-78 • 2.5 V LCMOS High Slew – Applies to 1.2 V DC Core Voltage
 Commercial-Case Conditions: $T_J = 70^\circ\text{C}$, Worst-Case $V_{CC} = 1.14\text{ V}$, Worst-Case $V_{CCI} = 2.3\text{ V}$
 Applicable to Standard Banks

Drive Strength	Speed Grade	t_{DOUT}	t_{DP}	t_{DIN}	t_{PY}	t_{EOUT}	t_{ZL}	t_{ZH}	t_{LZ}	t_{HZ}	Units
2 mA	Std.	1.55	2.75	0.26	1.15	1.10	2.80	2.53	2.12	2.31	ns
4 mA	Std.	1.55	2.75	0.26	1.15	1.10	2.80	2.53	2.12	2.31	ns
6 mA	Std.	1.55	2.38	0.26	1.15	1.10	2.42	2.05	2.37	2.79	ns
8 mA	Std.	1.55	2.38	0.26	1.15	1.10	2.42	2.05	2.37	2.79	ns

Notes:

1. Software default selection highlighted in gray.
2. For specific junction temperature and voltage supply levels, refer to [Table 2-7 on page 2-7](#) for derating values.

1.8 V LVCMOS

Low-voltage CMOS for 1.8 V is an extension of the LVCMOS standard (JESD8-5) used for general-purpose 1.8 V applications. It uses a 1.8 V input buffer and a push-pull output buffer.

Table 2-79 • Minimum and Maximum DC Input and Output Levels
Applicable to Advanced I/O Banks

1.8 V LVCMOS	V _{IL}		V _{IH}		V _{OL}	V _{OH}	I _{OL}	I _{OH}	I _{OSH}	I _{OSL}	I _{IL}	I _{IH}
	Min., V	Max., V	Min., V	Max., V	Max., V	Min., V	mA	mA	Max., mA ¹	Max., mA ¹	μA ²	μA ²
2 mA	-0.3	0.35 * V _{CCI}	0.65 * V _{CCI}	1.9	0.45	V _{CCI} - 0.45	2	2	9	11	10	10
4 mA	-0.3	0.35 * V _{CCI}	0.65 * V _{CCI}	1.9	0.45	V _{CCI} - 0.45	4	4	17	22	10	10
6 mA	-0.3	0.35 * V _{CCI}	0.65 * V _{CCI}	1.9	0.45	V _{CCI} - 0.45	6	6	35	44	10	10
8 mA	-0.3	0.35 * V _{CCI}	0.65 * V _{CCI}	1.9	0.45	V _{CCI} - 0.45	8	8	45	51	10	10
12 mA	-0.3	0.35 * V _{CCI}	0.65 * V _{CCI}	1.9	0.45	V _{CCI} - 0.45	12	12	91	74	10	10
16 mA	-0.3	0.35 * V _{CCI}	0.65 * V _{CCI}	1.9	0.45	V _{CCI} - 0.45	16	16	91	74	10	10

Notes:

1. Currents are measured at 100°C junction temperature and maximum voltage.
2. Currents are measured at 85°C junction temperature.
3. Software default selection highlighted in gray.

Table 2-80 • Minimum and Maximum DC Input and Output Levels
Applicable to Standard Plus I/O Banks

1.8 V LVCMOS	V _{IL}		V _{IH}		V _{OL}	V _{OH}	I _{OL}	I _{OH}	I _{OSH}	I _{OSL}	I _{IL}	I _{IH}
	Min., V	Max., V	Min., V	Max., V	Max., V	Min., V	mA	mA	Max., mA ¹	Max., mA ¹	μA ²	μA ²
2 mA	-0.3	0.35 * V _{CCI}	0.65 * V _{CCI}	1.9	0.45	V _{CCI} - 0.45	2	2	9	11	10	10
4 mA	-0.3	0.35 * V _{CCI}	0.65 * V _{CCI}	1.9	0.45	V _{CCI} - 0.45	4	4	17	22	10	10
6 mA	-0.3	0.35 * V _{CCI}	0.65 * V _{CCI}	1.9	0.45	V _{CCI} - 0.45	6	6	35	44	10	10
8 mA	-0.3	0.35 * V _{CCI}	0.65 * V _{CCI}	1.9	0.45	V _{CCI} - 0.45	8	8	35	44	10	10

Notes:

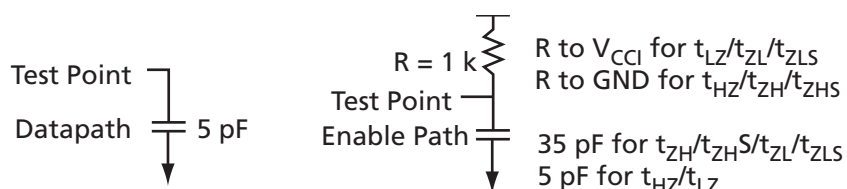
1. Currents are measured at 100°C junction temperature and maximum voltage.
2. Currents are measured at 85°C junction temperature.
3. Software default selection highlighted in gray.

Table 2-81 • Minimum and Maximum DC Input and Output Levels
 Applicable to Standard I/O Banks

1.8 V LVCMOS	V_{IL}		V_{IH}		V_{OL}	V_{OH}	I_{OL}	I_{OH}	I_{OSH}	I_{OSL}	I_{IL}	I_{IH}
	Min., V	Max., V	Min., V	Max., V	Max., V	Min., V	mA	mA	Max., mA ¹	Max., mA ¹	μA^2	μA^2
2 mA	-0.3	$0.35 * V_{CC1}$	$0.65 * V_{CC1}$	1.9	0.45	$V_{CC1} - 0.45$	2	2	9	11	10	10
4 mA	-0.3	$0.35 * V_{CC1}$	$0.65 * V_{CC1}$	1.9	0.45	$V_{CC1} - 0.45$	4	4	17	22	10	10

Notes:

1. Currents are measured at 100°C junction temperature and maximum voltage.
2. Currents are measured at 85°C junction temperature.
3. Software default selection highlighted in gray.


Figure 2-9 • AC Loading
Table 2-82 • AC Waveforms, Measuring Points, and Capacitive Loads

Input LOW (V)	Input HIGH (V)	Measuring Point* (V)	C_{LOAD} (pF)
0	1.8	0.9	5

* Measuring point = V_{trip} . See Table 2-28 on page 2-25 for a complete table of trip points.

Timing Characteristics

1.5 V DC Core Voltage

Table 2-83 • 1.8 V LVC MOS Low Slew – Applies to 1.5 V DC Core Voltage
 Commercial-Case Conditions: $T_J = 70^\circ\text{C}$, Worst-Case $V_{CC} = 1.425\text{ V}$, Worst-Case $V_{CCI} = 1.7\text{ V}$
 Applicable to Advanced I/O Banks

Drive Strength	Speed Grade	t_{DOUT}	t_{DP}	t_{DIN}	t_{PY}	t_{EOUT}	t_{ZL}	t_{ZH}	t_{LZ}	t_{HZ}	t_{ZLS}	t_{ZHS}	Units
2 mA	Std.	0.97	6.38	0.19	1.01	0.66	6.49	5.92	2.33	1.56	10.03	9.45	ns
4 mA	Std.	0.97	5.35	0.19	1.01	0.66	5.45	5.04	2.67	2.38	8.98	8.57	ns
6 mA	Std.	0.97	4.62	0.19	1.01	0.66	4.70	4.43	2.90	2.78	8.23	7.96	ns
8 mA	Std.	0.97	4.37	0.19	1.01	0.66	4.45	4.30	2.95	2.89	7.98	7.83	ns
12 mA	Std.	0.97	4.31	0.19	1.01	0.66	4.37	4.31	3.03	3.29	7.90	7.84	ns
16 mA	Std.	0.97	4.31	0.19	1.01	0.66	4.37	4.31	3.03	3.29	7.90	7.84	ns

Note: For specific junction temperature and voltage supply levels, refer to [Table 2-6 on page 2-6](#) for derating values.

Table 2-84 • 1.8 V LVC MOS High Slew – Applies to 1.5 V DC Core Voltage
 Commercial-Case Conditions: $T_J = 70^\circ\text{C}$, Worst-Case $V_{CC} = 1.425\text{ V}$, Worst-Case $V_{CCI} = 1.7\text{ V}$
 Applicable to Advanced I/O Banks

Drive Strength	Speed Grade	t_{DOUT}	t_{DP}	t_{DIN}	t_{PY}	t_{EOUT}	t_{ZL}	t_{ZH}	t_{LZ}	t_{HZ}	t_{ZLS}	t_{ZHS}	Units
2 mA	Std.	0.97	3.24	0.19	1.01	0.66	3.20	3.24	2.33	1.61	6.73	6.78	ns
4 mA	Std.	0.97	2.62	0.19	1.01	0.66	2.67	2.50	2.66	2.46	6.20	6.04	ns
6 mA	Std.	0.97	2.31	0.19	1.01	0.66	2.35	2.14	2.89	2.87	5.88	5.67	ns
8 mA	Std.	0.97	2.25	0.19	1.01	0.66	2.29	2.07	2.95	2.98	5.82	5.60	ns
12 mA	Std.	0.97	2.24	0.19	1.01	0.66	2.28	1.99	3.02	3.39	5.81	5.52	ns
16 mA	Std.	0.97	2.24	0.19	1.01	0.66	2.28	1.99	3.02	3.39	5.81	5.52	ns

Notes:

1. Software default selection highlighted in gray.
2. For specific junction temperature and voltage supply levels, refer to [Table 2-6 on page 2-6](#) for derating values.

Table 2-85 • 1.8 V LVC MOS Low Slew – Applies to 1.5 V DC Core Voltage
 Commercial-Case Conditions: $T_J = 70^\circ\text{C}$, Worst-Case $V_{CC} = 1.425\text{ V}$, Worst-Case $V_{CCI} = 1.7\text{ V}$
 Applicable to Standard Plus Banks

Drive Strength	Speed Grade	t_{DOUT}	t_{DP}	t_{DIN}	t_{PY}	t_{EOUT}	t_{ZL}	t_{ZH}	t_{LZ}	t_{HZ}	t_{ZLS}	t_{ZHS}	Units
2 mA	Std.	0.97	5.78	0.19	1.01	0.66	5.89	5.31	1.95	1.46	9.42	8.84	ns
4 mA	Std.	0.97	4.75	0.19	1.01	0.66	4.84	4.53	2.25	2.21	8.37	8.06	ns
6 mA	Std.	0.97	4.07	0.19	1.01	0.66	4.14	3.97	2.46	2.57	7.67	7.50	ns
8 mA	Std.	0.97	4.07	0.19	1.01	0.66	4.14	3.97	2.46	2.57	7.67	7.50	ns

Note: For specific junction temperature and voltage supply levels, refer to [Table 2-6 on page 2-6](#) for derating values.

Table 2-86 • 1.8 V LVC MOS High Slew – Applies to 1.5 V DC Core Voltage
 Commercial-Case Conditions: $T_J = 70^\circ\text{C}$, Worst-Case $V_{CC} = 1.425\text{ V}$, Worst-Case $V_{CCI} = 1.7\text{ V}$
 Applicable to Standard Plus Banks

Drive Strength	Speed Grade	t_{DOUT}	t_{DP}	t_{DIN}	t_{PY}	t_{EOUT}	t_{ZL}	t_{ZH}	t_{LZ}	t_{HZ}	t_{ZLS}	t_{ZHS}	Units
2 mA	Std.	0.97	2.75	0.19	1.01	0.66	2.79	2.75	1.94	1.51	6.32	6.28	ns
4 mA	Std.	0.97	2.25	0.19	1.01	0.66	2.29	2.09	2.24	2.29	5.82	5.62	ns
6 mA	Std.	0.97	1.97	0.19	1.01	0.66	2.01	1.76	2.46	2.66	5.54	5.29	ns
8 mA	Std.	0.97	1.97	0.19	1.01	0.66	2.01	1.76	2.46	2.66	5.54	5.29	ns

Notes:

1. Software default selection highlighted in gray.
2. For specific junction temperature and voltage supply levels, refer to [Table 2-6 on page 2-6](#) for derating values.

Table 2-87 • 1.8 V LVC MOS Low Slew – Applies to 1.5 V DC Core Voltage
 Commercial-Case Conditions: $T_J = 70^\circ\text{C}$, Worst-Case $V_{CC} = 1.425\text{ V}$, Worst-Case $V_{CCI} = 1.7\text{ V}$
 Applicable to Standard Banks

Drive Strength	Speed Grade	t_{DOUT}	t_{DP}	t_{DIN}	t_{PY}	t_{EOUT}	t_{ZL}	t_{ZH}	t_{LZ}	t_{HZ}	Units
2 mA	Std.	0.97	5.63	0.19	0.98	0.66	5.73	5.29	1.68	1.24	ns
4 mA	Std.	0.97	4.69	0.19	0.98	0.66	4.78	4.51	1.97	1.98	ns

Note: For specific junction temperature and voltage supply levels, refer to [Table 2-6 on page 2-6](#) for derating values.

Table 2-88 • 1.8 V LVC MOS High Slew – Applies to 1.5 V DC Core Voltage
 Commercial-Case Conditions: $T_J = 70^\circ\text{C}$, Worst-Case $V_{CC} = 1.425\text{ V}$, Worst-Case $V_{CCI} = 1.7\text{ V}$
 Applicable to Standard Banks

Drive Strength	Speed Grade	t_{DOUT}	t_{DP}	t_{DIN}	t_{PY}	t_{EOUT}	t_{ZL}	t_{ZH}	t_{LZ}	t_{HZ}	Units
2 mA	Std.	0.97	2.62	0.19	0.98	0.66	2.67	2.59	1.67	1.29	ns
4 mA	Std.	0.97	2.18	0.19	0.98	0.66	2.22	1.93	1.96	2.06	ns

Notes:

1. Software default selection highlighted in gray.
2. For specific junction temperature and voltage supply levels, refer to [Table 2-6 on page 2-6](#) for derating values.

1.2 V DC Core Voltage

Table 2-89 • 1.8 V LCMOS Low Slew – Applies to 1.2 V DC Core Voltage
 Commercial-Case Conditions: $T_J = 70^\circ\text{C}$, Worst-Case $V_{CC} = 1.14\text{ V}$, Worst-Case $V_{CCI} = 1.7\text{ V}$
 Applicable to Advanced I/O Banks

Drive Strength	Speed Grade	t_{DOUT}	t_{DP}	t_{DIN}	t_{PY}	t_{EOUT}	t_{ZL}	t_{ZH}	t_{LZ}	t_{HZ}	t_{ZLS}	t_{ZHS}	Units
2 mA	Std.	1.55	6.96	0.26	1.11	1.10	7.09	6.49	2.85	2.27	12.89	12.29	ns
4 mA	Std.	1.55	5.90	0.26	1.11	1.10	6.01	5.57	3.20	3.12	11.82	11.38	ns
6 mA	Std.	1.55	5.15	0.26	1.11	1.10	5.24	4.95	3.44	3.54	11.05	10.76	ns
8 mA	Std.	1.55	4.89	0.26	1.11	1.10	4.98	4.81	3.49	3.65	10.79	10.62	ns
12 mA	Std.	1.55	4.83	0.26	1.11	1.10	4.90	4.83	3.57	4.06	10.71	10.64	ns
16 mA	Std.	1.55	4.83	0.26	1.11	1.10	4.90	4.83	3.57	4.06	10.71	10.64	ns

Note: For specific junction temperature and voltage supply levels, refer to [Table 2-7 on page 2-7](#) for derating values.

Table 2-90 • 1.8 V LCMOS High Slew – Applies to 1.2 V DC Core Voltage
 Commercial-Case Conditions: $T_J = 70^\circ\text{C}$, Worst-Case $V_{CC} = 1.14\text{ V}$, Worst-Case $V_{CCI} = 1.7\text{ V}$
 Applicable to Advanced I/O Banks

Drive Strength	Speed Grade	t_{DOUT}	t_{DP}	t_{DIN}	t_{PY}	t_{EOUT}	t_{ZL}	t_{ZH}	t_{LZ}	t_{HZ}	t_{ZLS}	t_{ZHS}	Units
2 mA	Std.	1.55	3.73	0.26	1.11	1.10	3.71	3.73	2.85	2.32	9.52	9.54	ns
4 mA	Std.	1.55	3.11	0.26	1.11	1.10	3.16	2.97	3.19	3.21	8.97	8.78	ns
6 mA	Std.	1.55	2.78	0.26	1.11	1.10	2.84	2.60	3.43	3.63	8.64	8.40	ns
8 mA	Std.	1.55	2.72	0.26	1.11	1.10	2.77	2.52	3.49	3.74	8.58	8.33	ns
12 mA	Std.	1.55	2.71	0.26	1.11	1.10	2.76	2.44	3.56	4.17	8.57	8.24	ns
16 mA	Std.	1.55	2.71	0.26	1.11	1.10	2.76	2.44	3.56	4.17	8.57	8.24	ns

Notes:

1. Software default selection highlighted in gray.
2. For specific junction temperature and voltage supply levels, refer to [Table 2-7 on page 2-7](#) for derating values.

Table 2-91 • 1.8 V LCMOS Low Slew – Applies to 1.2 V DC Core Voltage
 Commercial-Case Conditions: $T_J = 70^\circ\text{C}$, Worst-Case $V_{CC} = 1.14\text{ V}$, Worst-Case $V_{CCI} = 1.7\text{ V}$
 Applicable to Standard Plus Banks

Drive Strength	Speed Grade	t_{DOUT}	t_{DP}	t_{DIN}	t_{PY}	t_{EOUT}	t_{ZL}	t_{ZH}	t_{LZ}	t_{HZ}	t_{ZLS}	t_{ZHS}	Units
2 mA	Std.	1.55	6.31	0.26	1.11	1.10	6.43	5.81	2.46	2.14	12.24	11.62	ns
4 mA	Std.	1.55	5.26	0.26	1.11	1.10	5.35	5.01	2.77	2.91	11.16	10.82	ns
6 mA	Std.	1.55	4.55	0.26	1.11	1.10	4.64	4.44	2.98	3.29	10.45	10.25	ns
8 mA	Std.	1.55	4.55	0.26	1.11	1.10	4.64	4.44	2.98	3.29	10.45	10.25	ns

Note: For specific junction temperature and voltage supply levels, refer to [Table 2-7 on page 2-7](#) for derating values.

Table 2-92 • 1.8 V LCMOS High Slew – Applies to 1.2 V DC Core Voltage
 Commercial-Case Conditions: $T_J = 70^\circ\text{C}$, Worst-Case $V_{CC} = 1.14\text{ V}$, Worst-Case $V_{CCI} = 1.7\text{ V}$
 Applicable to Standard Plus Banks

Drive Strength	Speed Grade	t_{DOUT}	t_{DP}	t_{DIN}	t_{PY}	t_{EOUT}	t_{ZL}	t_{ZH}	t_{LZ}	t_{HZ}	t_{ZLS}	t_{ZHS}	Units
2 mA	Std.	1.55	3.21	0.26	1.11	1.10	3.26	3.18	2.45	2.18	9.07	8.99	ns
4 mA	Std.	1.55	2.71	0.26	1.11	1.10	2.76	2.50	2.76	2.99	8.56	8.31	ns
6 mA	Std.	1.55	2.42	0.26	1.11	1.10	2.47	2.16	2.98	3.38	8.28	7.97	ns
8 mA	Std.	1.55	2.42	0.26	1.11	1.10	2.47	2.16	2.98	3.38	8.28	7.97	ns

Notes:

1. Software default selection highlighted in gray.
2. For specific junction temperature and voltage supply levels, refer to [Table 2-7 on page 2-7](#) for derating values.

Table 2-93 • 1.8 V LCMOS Low Slew – Applies to 1.2 V DC Core Voltage
 Commercial-Case Conditions: $T_J = 70^\circ\text{C}$, Worst-Case $V_{CC} = 1.14\text{ V}$, Worst-Case $V_{CCI} = 1.7\text{ V}$
 Applicable to Standard Banks

Drive Strength	Speed Grade	t_{DOUT}	t_{DP}	t_{DIN}	t_{PY}	t_{EOUT}	t_{ZL}	t_{ZH}	t_{LZ}	t_{HZ}	Units
2 mA	Std.	1.55	6.13	0.26	1.08	1.10	6.24	5.79	2.07	1.77	ns
4 mA	Std.	1.55	5.16	0.26	1.08	1.10	5.26	4.99	2.37	2.53	ns

Note: For specific junction temperature and voltage supply levels, refer to [Table 2-7 on page 2-7](#) for derating values.

Table 2-94 • 1.8 V LCMOS High Slew – Applies to 1.2 V DC Core Voltage
 Commercial-Case Conditions: $T_J = 70^\circ\text{C}$, Worst-Case $V_{CC} = 1.14\text{ V}$, Worst-Case $V_{CCI} = 1.7\text{ V}$
 Applicable to Standard Banks

Drive Strength	Speed Grade	t_{DOUT}	t_{DP}	t_{DIN}	t_{PY}	t_{EOUT}	t_{ZL}	t_{ZH}	t_{LZ}	t_{HZ}	Units
2 mA	Std.	1.55	3.05	0.26	1.08	1.10	3.11	3.01	2.07	1.81	ns
4 mA	Std.	1.55	2.60	0.26	1.08	1.10	2.64	2.33	2.37	2.61	ns

Notes:

1. Software default selection highlighted in gray.
2. For specific junction temperature and voltage supply levels, refer to [Table 2-7 on page 2-7](#) for derating values.

1.5 V LVCMOS (JESD8-11)

Low-Voltage CMOS for 1.5 V is an extension of the LVCMOS standard (JESD8-5) used for general-purpose 1.5 V applications. It uses a 1.5 V input buffer and a push-pull output buffer.

Table 2-95 • Minimum and Maximum DC Input and Output Levels
Applicable to Advanced I/O Banks

1.5 V LVCMOS	V _{IL}		V _{IH}		V _{OL}	V _{OH}	I _{OL}	I _{OH}	I _{OSH}	I _{OSL}	I _{IL}	I _{IH}
	Min., V	Max., V	Min., V	Max., V	Max., V	Min., V	m A	m A	Max., mA ¹	Max., mA ¹	μA ²	μA ²
2 mA	-0.3	0.35 * V _{CCI}	0.65 * V _{CCI}	1.575	0.25 * V _{CCI}	0.75 * V _{CCI}	2	2	13	16	10	10
4 mA	-0.3	0.35 * V _{CCI}	0.65 * V _{CCI}	1.575	0.25 * V _{CCI}	0.75 * V _{CCI}	4	4	25	33	10	10
6 mA	-0.3	0.35 * V _{CCI}	0.65 * V _{CCI}	1.575	0.25 * V _{CCI}	0.75 * V _{CCI}	6	6	32	39	10	10
8 mA	-0.3	0.35 * V _{CCI}	0.65 * V _{CCI}	1.575	0.25 * V _{CCI}	0.75 * V _{CCI}	8	8	66	55	10	10
12 mA	-0.3	0.35 * V _{CCI}	0.65 * V _{CCI}	1.575	0.25 * V _{CCI}	0.75 * V _{CCI}	12	12	66	55	10	10

Notes:

1. Currents are measured at 100°C junction temperature and maximum voltage.
2. Currents are measured at 85°C junction temperature.
3. Software default selection highlighted in gray.

Table 2-96 • Minimum and Maximum DC Input and Output Levels
Applicable to Standard Plus I/O Banks

1.5 V LVCMOS	V _{IL}		V _{IH}		V _{OL}	V _{OH}	I _{OL}	I _{OH}	I _{OSH}	I _{OSL}	I _{IL}	I _{IH}
	Min., V	Max., V	Min., V	Max., V	Max., V	Min., V	m A	m A	Max., mA ¹	Max., mA ¹	μA ²	μA ²
2 mA	-0.3	0.35 * V _{CCI}	0.65 * V _{CCI}	1.575	0.25 * V _{CCI}	0.75 * V _{CCI}	2	2	13	16	10	10
4 mA	-0.3	0.35 * V _{CCI}	0.65 * V _{CCI}	1.575	0.25 * V _{CCI}	0.75 * V _{CCI}	4	4	25	33	10	10

Notes:

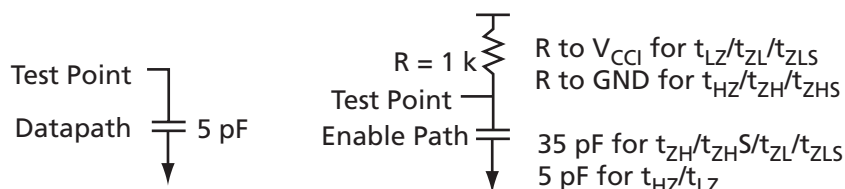
1. Currents are measured at 100°C junction temperature and maximum voltage.
2. Currents are measured at 85°C junction temperature.
3. Software default selection highlighted in gray.

Table 2-97 • Minimum and Maximum DC Input and Output Levels
Applicable to Standard I/O Banks

1.5 V LVCMOS	V _{IL}		V _{IH}		V _{OL}	V _{OH}	I _{OL}	I _{OH}	I _{OSH}	I _{OSL}	I _{IL}	I _{IH}
	Min., V	Max., V	Min., V	Max., V	Max., V	Min., V	m A	m A	Max., mA ¹	Max., mA ¹	μA ²	μA ²
2 mA	-0.3	0.35 * V _{CCI}	0.65 * V _{CCI}	1.575	0.25 * V _{CCI}	0.75 * V _{CCI}	2	2	13	16	10	10

Notes:

1. Currents are measured at 100°C junction temperature and maximum voltage.
2. Currents are measured at 85°C junction temperature.
3. Software default selection highlighted in gray.


Figure 2-10 • AC Loading
Table 2-98 • AC Waveforms, Measuring Points, and Capacitive Loads

Input LOW (V)	Input HIGH (V)	Measuring Point* (V)	C _{LOAD} (pF)
0	1.5	0.75	5

* Measuring point = V_{trip} . See Table 2-28 on page 2-25 for a complete table of trip points.

Timing Characteristics

1.5 V DC Core Voltage

Table 2-99 • 1.5 V LVCMOS Low Slew – Applies to 1.5 V DC Core Voltage
 Commercial-Case Conditions: $T_J = 70^\circ\text{C}$, Worst-Case $V_{CC} = 1.425\text{ V}$, Worst-Case $V_{CC1} = 1.4\text{ V}$
 Applicable to Advanced I/O Banks

Drive Strength	Speed Grade	t _{DOUT}	t _{DP}	t _{DIN}	t _{PY}	t _{EOUT}	t _{ZL}	t _{ZH}	t _{LZ}	t _{HZ}	t _{ZLS}	t _{ZHS}	Units
2 mA	Std.	0.97	6.62	0.19	1.17	0.66	6.74	6.05	2.79	2.31	10.28	9.58	ns
4 mA	Std.	0.97	5.74	0.19	1.17	0.66	5.85	5.33	3.06	2.78	9.38	8.86	ns
6 mA	Std.	0.97	5.43	0.19	1.17	0.66	5.53	5.18	3.12	2.90	9.06	8.71	ns
8 mA	Std.	0.97	5.35	0.19	1.17	0.66	5.45	5.19	3.21	3.36	8.98	8.72	ns
12 mA	Std.	0.97	5.35	0.19	1.17	0.66	5.45	5.19	3.21	3.36	8.98	8.72	ns

Note: For specific junction temperature and voltage supply levels, refer to Table 2-6 on page 2-6 for derating values.

Table 2-100 • 1.5 V LVCMOS High Slew – Applies to 1.5 V DC Core Voltage
 Commercial-Case Conditions: $T_J = 70^\circ\text{C}$, Worst-Case $V_{CC} = 1.425\text{ V}$, Worst-Case $V_{CC1} = 1.4\text{ V}$
 Applicable to Advanced I/O Banks

Drive Strength	Speed Grade	t _{DOUT}	t _{DP}	t _{DIN}	t _{PY}	t _{EOUT}	t _{ZL}	t _{ZH}	t _{LZ}	t _{HZ}	t _{ZLS}	t _{ZHS}	Units
2 mA	Std.	0.97	2.97	0.19	1.17	0.66	3.03	2.89	2.78	2.40	6.56	6.43	ns
4 mA	Std.	0.97	2.60	0.19	1.17	0.66	2.64	2.44	3.05	2.88	6.18	5.97	ns
6 mA	Std.	0.97	3.63	0.19	1.17	0.66	3.62	3.63	3.06	3.00	7.15	7.16	ns
8 mA	Std.	0.97	2.50	0.19	1.17	0.66	2.55	2.26	3.20	3.48	6.08	5.79	ns
12 mA	Std.	0.97	2.50	0.19	1.17	0.66	2.55	2.26	3.20	3.48	6.08	5.79	ns

Notes:

1. Software default selection highlighted in gray.
2. For specific junction temperature and voltage supply levels, refer to Table 2-6 on page 2-6 for derating values.

Table 2-101 • 1.5 V LVCMOS Low Slew – Applies to 1.5 V DC Core Voltage
 Commercial-Case Conditions: $T_J = 70^\circ\text{C}$, Worst-Case $V_{CC} = 1.425\text{ V}$, Worst-Case $V_{CCI} = 1.4\text{ V}$
 Applicable to Standard Plus Banks

Drive Strength	Speed Grade	t_{DOUT}	t_{DP}	t_{DIN}	t_{PY}	t_{EOUT}	t_{ZL}	t_{ZH}	t_{LZ}	t_{HZ}	t_{ZLS}	t_{ZHS}	Units
2 mA	Std.	0.97	5.93	0.19	1.17	0.66	6.04	5.46	2.30	2.15	9.57	8.99	ns
4 mA	Std.	0.97	5.11	0.19	1.17	0.66	5.20	4.79	2.54	2.58	8.73	8.32	ns

Note: For specific junction temperature and voltage supply levels, refer to [Table 2-6 on page 2-6](#) for derating values.

Table 2-102 • 1.5 V LVCMOS High Slew – Applies to 1.5 V DC Core Voltage
 Commercial-Case Conditions: $T_J = 70^\circ\text{C}$, Worst-Case $V_{CC} = 1.425\text{ V}$, Worst-Case $V_{CCI} = 1.4\text{ V}$
 Applicable to Standard Plus Banks

Drive Strength	Speed Grade	t_{DOUT}	t_{DP}	t_{DIN}	t_{PY}	t_{EOUT}	t_{ZL}	t_{ZH}	t_{LZ}	t_{HZ}	t_{ZLS}	t_{ZHS}	Units
2 mA	Std.	0.97	2.58	0.19	1.17	0.66	2.63	2.40	2.29	2.24	6.16	5.94	ns
4 mA	Std.	0.97	2.25	0.19	1.17	0.66	2.29	1.99	2.53	2.68	5.82	5.52	ns

Notes:

1. Software default selection highlighted in gray.
2. For specific junction temperature and voltage supply levels, refer to [Table 2-6 on page 2-6](#) for derating values.

Table 2-103 • 1.5 V LVCMOS Low Slew – Applies to 1.5 V DC Core Voltage
 Commercial-Case Conditions: $T_J = 70^\circ\text{C}$, Worst-Case $V_{CC} = 1.425\text{ V}$, Worst-Case $V_{CCI} = 1.4\text{ V}$
 Applicable to Standard Banks

Drive Strength	Speed Grade	t_{DOUT}	t_{DP}	t_{DIN}	t_{PY}	t_{EOUT}	t_{ZL}	t_{ZH}	t_{LZ}	t_{HZ}	Units
2 mA	Std.	0.97	5.88	0.19	1.13	0.66	5.99	5.45	1.99	1.93	ns

Note: For specific junction temperature and voltage supply levels, refer to [Table 2-6 on page 2-6](#) for derating values.

Table 2-104 • 1.5 V LVCMOS High Slew – Applies to 1.5 V DC Core Voltage
 Commercial-Case Conditions: $T_J = 70^\circ\text{C}$, Worst-Case $V_{CC} = 1.425\text{ V}$, Worst-Case $V_{CCI} = 1.4\text{ V}$
 Applicable to Standard Banks

Drive Strength	Speed Grade	t_{DOUT}	t_{DP}	t_{DIN}	t_{PY}	t_{EOUT}	t_{ZL}	t_{ZH}	t_{LZ}	t_{HZ}	Units
2 mA	Std.	0.97	2.51	0.19	1.13	0.66	2.56	2.20	1.99	2.03	ns

Notes:

1. Software default selection highlighted in gray.
2. For specific junction temperature and voltage supply levels, refer to [Table 2-6 on page 2-6](#) for derating values.

1.2 V DC Core Voltage

Table 2-105 • 1.5 V LCMOS Low Slew – Applies to 1.2 V DC Core Voltage
 Commercial-Case Conditions: $T_J = 70^\circ\text{C}$, Worst-Case $V_{CC} = 1.14\text{ V}$, Worst-Case $V_{CCI} = 1.4\text{ V}$
 Applicable to Advanced I/O Banks

Drive Strength	Speed Grade	t_{DOUT}	t_{DP}	t_{DIN}	t_{PY}	t_{EOUT}	t_{ZL}	t_{ZH}	t_{LZ}	t_{HZ}	t_{ZLS}	t_{ZHS}	Units
2 mA	Std.	1.55	7.16	0.26	1.27	1.10	7.29	6.60	3.32	3.01	13.10	12.41	ns
4 mA	Std.	1.55	6.26	0.26	1.27	1.10	6.37	5.86	3.59	3.49	12.18	11.67	ns
6 mA	Std.	1.55	5.93	0.26	1.27	1.10	6.04	5.70	3.65	3.62	11.85	11.51	ns
8 mA	Std.	1.55	5.85	0.26	1.27	1.10	5.96	5.72	3.75	4.10	11.77	11.52	ns
12 mA	Std.	1.55	5.85	0.26	1.27	1.10	5.96	5.72	3.75	4.10	11.77	11.52	ns

Note: For specific junction temperature and voltage supply levels, refer to [Table 2-7 on page 2-7](#) for derating values.

Table 2-106 • 1.5 V LCMOS High Slew – Applies to 1.2 V DC Core Voltage
 Commercial-Case Conditions: $T_J = 70^\circ\text{C}$, Worst-Case $V_{CC} = 1.14\text{ V}$, Worst-Case $V_{CCI} = 1.4\text{ V}$
 Applicable to Advanced I/O Banks

Drive Strength	Speed Grade	t_{DOUT}	t_{DP}	t_{DIN}	t_{PY}	t_{EOUT}	t_{ZL}	t_{ZH}	t_{LZ}	t_{HZ}	t_{ZLS}	t_{ZHS}	Units
2 mA	Std.	1.55	3.43	0.26	1.27	1.10	3.49	3.36	3.31	3.10	9.30	9.16	ns
4 mA	Std.	1.55	3.04	0.26	1.27	1.10	3.10	2.89	3.58	3.59	8.91	8.70	ns
6 mA	Std.	1.55	4.11	0.26	1.27	1.10	4.10	4.11	3.59	3.72	9.91	9.92	ns
8 mA	Std.	1.55	2.95	0.26	1.27	1.10	3.00	2.70	3.74	4.21	8.81	8.51	ns
12 mA	Std.	1.55	2.95	0.26	1.27	1.10	3.00	2.70	3.74	4.21	8.81	8.51	ns

Notes:

1. Software default selection highlighted in gray.
2. For specific junction temperature and voltage supply levels, refer to [Table 2-7 on page 2-7](#) for derating values.

Table 2-107 • 1.5 V LCMOS Low Slew – Applies to 1.2 V DC Core Voltage
 Commercial-Case Conditions: $T_J = 70^\circ\text{C}$, Worst-Case $V_{CC} = 1.14\text{ V}$, Worst-Case $V_{CCI} = 1.4\text{ V}$
 Applicable to Standard Plus Banks

Drive Strength	Speed Grade	t_{DOUT}	t_{DP}	t_{DIN}	t_{PY}	t_{EOUT}	t_{ZL}	t_{ZH}	t_{LZ}	t_{HZ}	t_{ZLS}	t_{ZHS}	Units
2 mA	Std.	1.55	6.42	0.26	1.27	1.10	6.54	5.95	2.81	2.81	12.35	11.76	ns
4 mA	Std.	1.55	5.58	0.26	1.27	1.10	5.68	5.27	3.06	3.25	11.49	11.08	ns

Note: For specific junction temperature and voltage supply levels, refer to [Table 2-7 on page 2-7](#) for derating values.

Table 2-108 • 1.5 V LCMOS High Slew – Applies to 1.2 V DC Core Voltage
 Commercial-Case Conditions: $T_J = 70^\circ\text{C}$, Worst-Case $V_{CC} = 1.14\text{ V}$, Worst-Case $V_{CCI} = 1.4\text{ V}$
 Applicable to Standard Plus Banks

Drive Strength	Speed Grade	t_{DOUT}	t_{DP}	t_{DIN}	t_{PY}	t_{EOUT}	t_{ZL}	t_{ZH}	t_{LZ}	t_{HZ}	t_{ZLS}	t_{ZHS}	Units
2 mA	Std.	1.55	3.01	0.26	1.27	1.10	3.07	2.81	2.80	2.90	8.88	8.62	ns
4 mA	Std.	1.55	2.67	0.26	1.27	1.10	2.72	2.39	3.05	3.36	8.53	8.20	ns

Notes:

1. Software default selection highlighted in gray.
2. For specific junction temperature and voltage supply levels, refer to [Table 2-7 on page 2-7](#) for derating values.

Table 2-109 • 1.5 V LCMOS Low Slew – Applies to 1.2 V DC Core Voltage
 Commercial-Case Conditions: $T_J = 70^\circ\text{C}$, Worst-Case $V_{CC} = 1.14\text{ V}$, Worst-Case $V_{CCI} = 1.4\text{ V}$
 Applicable to Standard Banks

Drive Strength	Speed Grade	t_{DOUT}	t_{DP}	t_{DIN}	t_{PY}	t_{EOUT}	t_{ZL}	t_{ZH}	t_{LZ}	t_{HZ}	Units
2 mA	Std.	1.55	6.35	0.26	1.22	1.10	6.46	5.93	2.39	2.45	ns

Note: For specific junction temperature and voltage supply levels, refer to [Table 2-7 on page 2-7](#) for derating values.

Table 2-110 • 1.5 V LCMOS High Slew – Applies to 1.2 V DC Core Voltage
 Commercial-Case Conditions: $T_J = 70^\circ\text{C}$, Worst-Case $V_{CC} = 1.14\text{ V}$, Worst-Case $V_{CCI} = 1.4\text{ V}$
 Applicable to Standard Banks

Drive Strength	Speed Grade	t_{DOUT}	t_{DP}	t_{DIN}	t_{PY}	t_{EOUT}	t_{ZL}	t_{ZH}	t_{LZ}	t_{HZ}	Units
2 mA	Std.	1.55	2.91	0.26	1.22	1.10	2.96	2.60	2.39	2.54	ns

Notes:

1. Software default selection highlighted in gray.
2. For specific junction temperature and voltage supply levels, refer to [Table 2-7 on page 2-7](#) for derating values.

1.2 V LVCMOS (JESD8-12A)

Low-Voltage CMOS for 1.2 V complies with the LVCMOS standard JESD8-12A for general purpose 1.2 V applications. It uses a 1.2 V input buffer and a push-pull output buffer.

Table 2-111 • Minimum and Maximum DC Input and Output Levels
Applicable to Advanced I/O Banks

1.2 V LVCMOS	V_{IL}		V_{IH}		V_{OL}	V_{OH}	I_{OL}	I_{OH}	I_{OSH}^1	I_{OSL}^1	I_{IL}^2	I_{IH}^2
	Min., V	Max., V	Min., V	Max., V	Max., V	Min., V	mA	mA	Max., mA	Max., mA	μ A	μ A
2 mA	-0.3	$0.35 * V_{CC1}$	$0.65 * V_{CC1}$	1.26	$0.25 * V_{CC1}$	$0.75 * V_{CC1}$	2	2	TBD	TBD	10	10

Notes:

1. Currents are measured at 100°C junction temperature and maximum voltage.
2. Currents are measured at 85°C junction temperature.
3. Software default selection highlighted in gray.

Table 2-112 • Minimum and Maximum DC Input and Output Levels
Applicable to Standard Plus I/O Banks

1.2 V LVCMOS	V_{IL}		V_{IH}		V_{OL}	V_{OH}	I_{OL}	I_{OH}	I_{OSH}^1	I_{OSL}^1	I_{IL}^2	I_{IH}^2
	Min., V	Max., V	Min., V	Max., V	Max., V	Min., V	mA	mA	Max., mA	Max., mA	μ A	μ A
2 mA	-0.3	$0.35 * V_{CC1}$	$0.65 * V_{CC1}$	1.26	$0.25 * V_{CC1}$	$0.75 * V_{CC1}$	2	2	TBD	TBD	10	10

Notes:

1. Currents are measured at 100°C junction temperature and maximum voltage.
2. Currents are measured at 85°C junction temperature.
3. Software default selection highlighted in gray.

Table 2-113 • Minimum and Maximum DC Input and Output Levels
Applicable to Standard I/O Banks

1.2 V LVCMOS	V_{IL}		V_{IH}		V_{OL}	V_{OH}	I_{OL}	I_{OH}	I_{OSH}^1	I_{OSL}^1	I_{IL}^2	I_{IH}^2
	Min., V	Max., V	Min., V	Max., V	Max., V	Min., V	mA	mA	Max., mA	Max., mA	μ A	μ A
1 mA	-0.3	$0.35 * V_{CC1}$	$0.65 * V_{CC1}$	1.26	$0.25 * V_{CC1}$	$0.75 * V_{CC1}$	1	1	TBD	TBD	10	10

Notes:

1. Currents are measured at 100°C junction temperature and maximum voltage.
2. Currents are measured at 85°C junction temperature.
3. Software default selection highlighted in gray.

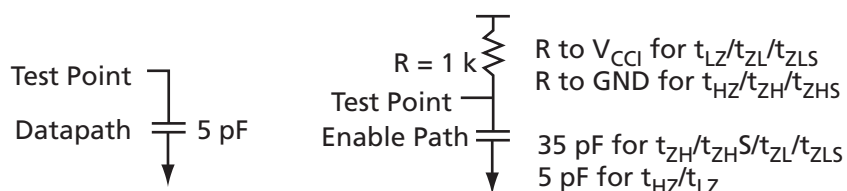


Figure 2-11 • AC Loading

Table 2-114 • AC Waveforms, Measuring Points, and Capacitive Loads

Input LOW (V)	Input HIGH (V)	Measuring Point* (V)	C _{LOAD} (pF)
0	1.2	0.6	5

* Measuring point = V_{trip} . See [Table 2-28 on page 2-25](#) for a complete table of trip points.

Timing Characteristics

1.2 V DC Core Voltage

Table 2-115 • 1.2 V LVC MOS Low Slew

Commercial-Case Conditions: $T_J = 70^\circ\text{C}$, Worst-Case $V_{CC} = 1.425\text{ V}$, Worst-Case $V_{CCI} = 1.4\text{ V}$
Applicable to Advanced I/O Banks

Drive Strength	Speed Grade	t _{DOUT}	t _{DP}	t _{DIN}	t _{PY}	t _{EOUT}	t _{ZL}	t _{ZH}	t _{LZ}	t _{HZ}	t _{ZLS}	t _{ZHS}	Units
2 mA	Std.	0.97	6.62	0.19	1.17	0.66	6.74	6.05	2.79	2.31	10.28	9.58	ns

Note: For specific junction temperature and voltage supply levels, refer to [Table 2-6 on page 2-6](#) for derating values.

Table 2-116 • 1.2 V LVC MOS High Slew

Commercial-Case Conditions: $T_J = 70^\circ\text{C}$, Worst-Case $V_{CC} = 1.14\text{ V}$, Worst-Case $V_{CCI} = 1.14\text{ V}$
Applicable to Advanced I/O Banks

Drive Strength	Speed Grade	t _{DOUT}	t _{DP}	t _{DIN}	t _{PY}	t _{EOUT}	t _{ZL}	t _{ZH}	t _{LZ}	t _{HZ}	t _{ZLS}	t _{ZHS}	Units
2 mA	Std.	1.55	3.61	0.26	1.58	1.10	3.45	3.33	3.94	3.66	9.05	8.93	ns

Notes:

1. Software default selection highlighted in gray.
2. For specific junction temperature and voltage supply levels, refer to [Table 2-6 on page 2-6](#) for derating values.

Table 2-117 • 1.2 V LVC MOS High Slew

Commercial-Case Conditions: $T_J = 70^\circ\text{C}$, Worst-Case $V_{CC} = 1.14\text{ V}$, Worst-Case $V_{CCI} = 1.14\text{ V}$
Applicable to Standard Plus I/O Banks

Drive Strength	Speed Grade	t _{DOUT}	t _{DP}	t _{DIN}	t _{PY}	t _{EOUT}	t _{ZL}	t _{ZH}	t _{LZ}	t _{HZ}	t _{ZLS}	t _{ZHS}	Units
2 mA	Std.	1.55	7.60	0.26	1.58	1.10	7.27	6.52	3.31	3.36	12.86	12.12	ns

Note: For specific junction temperature and voltage supply levels, refer to [Table 2-6 on page 2-6](#) for derating values.

Table 2-118 • 1.2 V LVC MOS High Slew

Commercial-Case Conditions: $T_J = 70^\circ\text{C}$, Worst-Case $V_{CC} = 1.14\text{ V}$, Worst-Case $V_{CCI} = 1.14\text{ V}$
Applicable to Standard Plus I/O Banks

Drive Strength	Speed Grade	t _{DOUT}	t _{DP}	t _{DIN}	t _{PY}	t _{EOUT}	t _{ZL}	t _{ZH}	t _{LZ}	t _{HZ}	t _{ZLS}	t _{ZHS}	Units
2 mA	Std.	1.55	3.23	0.26	1.58	1.10	3.09	2.76	3.30	3.49	8.69	8.36	ns

Notes:

1. Software default selection highlighted in gray.
2. For specific junction temperature and voltage supply levels, refer to [Table 2-6 on page 2-6](#) for derating values.

Table 2-119 • 1.2 V LVC MOS High Slew

Commercial-Case Conditions: $T_J = 70^\circ\text{C}$, Worst-Case $V_{CC} = 1.14\text{ V}$, Worst-Case $V_{CCI} = 1.14\text{ V}$
Applicable to Standard Banks

Drive Strength	Speed Grade	t _{DOUT}	t _{DP}	t _{DIN}	t _{PY}	t _{EOUT}	t _{ZL}	t _{ZH}	t _{LZ}	t _{HZ}	Units
1 mA	Std.	1.55	8.58	0.26	1.52	1.10	8.21	7.36	2.52	2.40	ns

Note: For specific junction temperature and voltage supply levels, refer to [Table 2-7 on page 2-7](#) for derating values.

Table 2-120 • 1.2 V LCMOS High Slew – Applies to 1.2 V DC Core Voltage
Commercial-Case Conditions: $T_J = 70^\circ\text{C}$, Worst-Case $V_{CC} = 1.14\text{ V}$, Worst-Case $V_{CCI} = 1.14\text{ V}$
Applicable to Standard Banks

Drive Strength	Speed Grade	t_{DOUT}	t_{DP}	t_{DIN}	t_{PY}	t_{EOUT}	t_{ZL}	t_{ZH}	t_{LZ}	t_{HZ}	Units
1 mA	Std.	1.55	3.60	0.26	1.52	1.10	3.45	3.04	2.52	2.50	ns

Notes:

1. Software default selection highlighted in gray.
2. For specific junction temperature and voltage supply levels, refer to [Table 2-7 on page 2-7](#) for derating values.

3.3 V PCI, 3.3 V PCI-X

Peripheral Component Interface for 3.3 V standard specifies support for 33 MHz and 66 MHz PCI Bus applications.

Table 2-121 • Minimum and Maximum DC Input and Output Levels
Applicable to Advanced and Standard Plus I/Os

3.3 V PCI/PCI-X	V_{IL}		V_{IH}		V_{OL}	V_{OH}	I_{OL}	I_{OH}	I_{OSH}	I_{OSL}	I_{IL}	I_{IH}
Drive Strength	Min, V	Max, V	Min, V	Max, V	Max, V	Min, V	mA	mA	Max, mA ¹	Max, mA ¹	μA^2	μA^2
Per PCI specification	Per PCI curves										10	10

Notes:

1. Currents are measured at 100°C junction temperature and maximum voltage.
2. Currents are measured at 85°C junction temperature.

AC loadings are defined per the PCI/PCI-X specifications for the datapath; Actel loadings for enable path characterization are described in Figure 2-12.

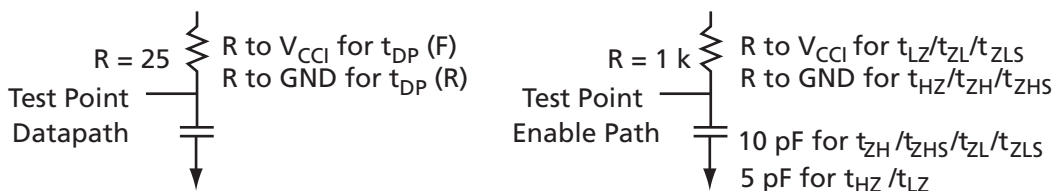


Figure 2-12 • AC Loading

AC loadings are defined per PCI/PCI-X specifications for the datapath; Actel loading for tristate is described in Table 2-122.

Table 2-122 • AC Waveforms, Measuring Points, and Capacitive Loads

Input LOW (V)	Input HIGH (V)	Measuring Point* (V)	C_{LOAD} (pF)
0	3.3	0.285 * V_{CC1} for $t_{DP(R)}$ 0.615 * V_{CC1} for $t_{DP(F)}$	10

* Measuring point = V_{trip} . See Table 2-28 on page 2-25 for a complete table of trip points.

Timing Characteristics

1.5 V DC Core Voltage

Table 2-123 • 3.3 V PCI/PCI-X

Commercial-Case Conditions: $T_J = 70^\circ\text{C}$, Worst-Case $V_{CC} = 1.425\text{ V}$, Worst-Case $V_{CCI} = 3.0\text{ V}$

Applicable to Advanced I/O Banks

Speed Grade	t_{DOUT}	t_{DP}	t_{DIN}	t_{PY}	t_{EOUT}	t_{ZL}	t_{ZH}	t_{LZ}	t_{HZ}	t_{ZLS}	t_{ZHS}	Units
Std.	0.97	2.32	0.19	0.70	0.66	2.36	1.77	2.67	3.04	5.89	5.30	ns

Note: For specific junction temperature and voltage supply levels, refer to Table 2-6 on page 2-6 for derating values.

Table 2-124 • 3.3 V PCI/PCI-X

Commercial-Case Conditions: $T_J = 70^\circ\text{C}$, Worst-Case $V_{CC} = 1.425\text{ V}$, Worst-Case $V_{CCI} = 3.0\text{ V}$

Applicable to Standard Plus I/O Banks

Speed Grade	t_{DOUT}	t_{DP}	t_{DIN}	t_{PY}	t_{EOUT}	t_{ZL}	t_{ZH}	t_{LZ}	t_{HZ}	t_{ZLS}	t_{ZHS}	Units
Std.	0.97	1.96	0.19	0.70	0.66	2.00	1.50	2.36	2.79	5.53	5.03	ns

Note: For specific junction temperature and voltage supply levels, refer to Table 2-6 on page 2-6 for derating values.

1.2 V DC Core Voltage

Table 2-125 • 3.3 V PCI/PCI-X

Commercial-Case Conditions: $T_J = 70^\circ\text{C}$, Worst-Case $V_{CC} = 1.14\text{ V}$, Worst-Case $V_{CCI} = 3.0\text{ V}$

Applicable to Advanced I/O Banks

Speed Grade	t_{DOUT}	t_{DP}	t_{DIN}	t_{PY}	t_{EOUT}	t_{ZL}	t_{ZH}	t_{LZ}	t_{HZ}	t_{ZLS}	t_{ZHS}	Units
Std.	1.55	2.90	0.25	0.86	1.10	2.95	2.29	3.23	3.92	8.76	8.10	ns

Note: For specific junction temperature and voltage supply levels, refer to Table 2-7 on page 2-7 for derating values.

Table 2-126 • 3.3 V PCI/PCI-X

Commercial-Case Conditions: $T_J = 70^\circ\text{C}$, Worst-Case $V_{CC} = 1.14\text{ V}$, Worst-Case $V_{CCI} = 3.0\text{ V}$

Applicable to Standard Plus I/O Banks

Speed Grade	t_{DOUT}	t_{DP}	t_{DIN}	t_{PY}	t_{EOUT}	t_{ZL}	t_{ZH}	t_{LZ}	t_{HZ}	t_{ZLS}	t_{ZHS}	Units
Std.	1.55	2.52	0.25	0.85	1.10	2.57	1.98	2.91	3.62	8.37	7.78	ns

Note: For specific junction temperature and voltage supply levels, refer to Table 2-7 on page 2-7 for derating values.

Differential I/O Characteristics

Physical Implementation

Configuration of the I/O modules as a differential pair is handled by Actel Designer software when the user instantiates a differential I/O macro in the design.

Differential I/Os can also be used in conjunction with the embedded Input Register (InReg), Output Register (OutReg), Enable Register (EnReg), and Double Data Rate (DDR). However, there is no support for bidirectional I/Os or tristates with the LVPECL standards.

LVDS

Low-Voltage Differential Signaling (ANSI/TIA/EIA-644) is a high-speed, differential I/O standard. It requires that one data bit be carried through two signal lines, so two pins are needed. It also requires external resistor termination.

The full implementation of the LVDS transmitter and receiver is shown in an example in [Figure 2-13](#). The building blocks of the LVDS transmitter-receiver are one transmitter macro, one receiver macro, three board resistors at the transmitter end, and one resistor at the receiver end. The values for the three driver resistors are different from those used in the LVPECL implementation because the output standard specifications are different.

Along with LVDS I/O, IGLOO also supports Bus LVDS structure and Multipoint LVDS (M-LVDS) configuration (up to 40 nodes).

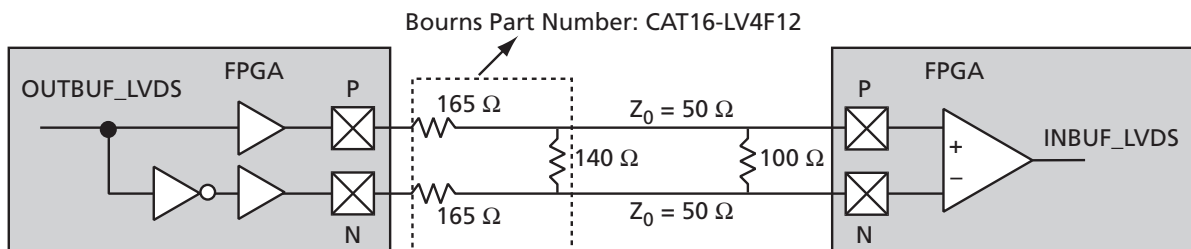


Figure 2-13 • LVDS Circuit Diagram and Board-Level Implementation

Table 2-127 • Minimum and Maximum DC Input and Output Levels

DC Parameter	Description	Min.	Typ.	Max.	Units
V _{CCI}	Supply Voltage	2.375	2.5	2.625	V
V _{OL}	Output LOW Voltage	0.9	1.075	1.25	V
V _{OH}	Output HIGH Voltage	1.25	1.425	1.6	V
I _{OL} ⁴	Output Lower Current	0.65	0.91	1.16	mA
I _{OH} ⁴	Output HIGH Current	0.65	0.91	1.16	mA
V _I	Input Voltage	0		2.925	V
I _{IH} ³	Input HIGH Leakage Current			10	μA
I _{IL} ³	Input LOW Leakage Current			10	μA
V _{ODIFF}	Differential Output Voltage	250	350	450	mV
V _{OCM}	Output Common-Mode Voltage	1.125	1.25	1.375	V
V _{ICM}	Input Common-Mode Voltage	0.05	1.25	2.35	V
V _{IDIFF}	Input Differential Voltage	100	350		mV

Notes:

- ± 5%
- Differential input voltage = ±350 mV.
- Currents are measured at 85°C junction temperature.
- I_{OL}/I_{OH} is defined by V_{ODIFF}/(resistor network).

Table 2-128 • AC Waveforms, Measuring Points, and Capacitive Loads

Input LOW (V)	Input HIGH (V)	Measuring Point* (V)
1.075	1.325	Cross point

* Measuring point = V_{trip}. See Table 2-28 on page 2-25 for a complete table of trip points.

Timing Characteristics**1.5 V DC Core Voltage**

Table 2-129 • LVDS – Applies to 1.5 V DC Core Voltage

Commercial-Case Conditions: T_J = 70°C, Worst-Case V_{CC} = 1.425 V, Worst-Case V_{CCI} = 2.3 V
Applicable to Standard Banks

Speed Grade	t _{DOUT}	t _{DP}	t _{DIN}	t _{PY}	Units
Std.	0.97	1.67	0.19	1.31	ns

Note: For specific junction temperature and voltage supply levels, refer to Table 2-6 on page 2-6 and Table 2-7 on page 2-7 for derating values.

1.2 V DC Core Voltage

Table 2-130 • LVDS – Applies to 1.5 V DC Core Voltage

Commercial-Case Conditions: T_J = 70°C, Worst-Case V_{CC} = 1.14 V, Worst-Case V_{CCI} = 2.3 V
Applicable to Standard Banks

Speed Grade	t _{DOUT}	t _{DP}	t _{DIN}	t _{PY}	Units
Std.	1.55	2.19	0.25	1.52	ns

Note: For specific junction temperature and voltage supply levels, refer to Table 2-6 on page 2-6 and Table 2-7 on page 2-7 for derating values.

B-LVDS/M-LVDS

Bus LVDS (B-LVDS) and Multipoint LVDS (M-LVDS) specifications extend the existing LVDS standard to high-performance multipoint bus applications. Multidrop and multipoint bus configurations may contain any combination of drivers, receivers, and transceivers. Actel LVDS drivers provide the higher drive current required by B-LVDS and M-LVDS to accommodate the loading. The drivers require series terminations for better signal quality and to control voltage swing. Termination is also required at both ends of the bus since the driver can be located anywhere on the bus. These configurations can be implemented using the TRIBUF_LVDS and BIBUF_LVDS macros along with appropriate terminations. Multipoint designs using Actel LVDS macros can achieve up to 200 MHz with a maximum of 20 loads. A sample application is given in Figure 2-14. The input and output buffer delays are available in the LVDS section in Table 2-129 on page 2-65 and Table 2-130 on page 2-65.

Example: For a bus consisting of 20 equidistant loads, the following terminations provide the required differential voltage, in worst-case Industrial operating conditions, at the farthest receiver: $R_S = 60 \Omega$ and $R_T = 70 \Omega$, given $Z_0 = 50 \Omega$ (2") and $Z_{stub} = 50 \Omega$ (~1.5").

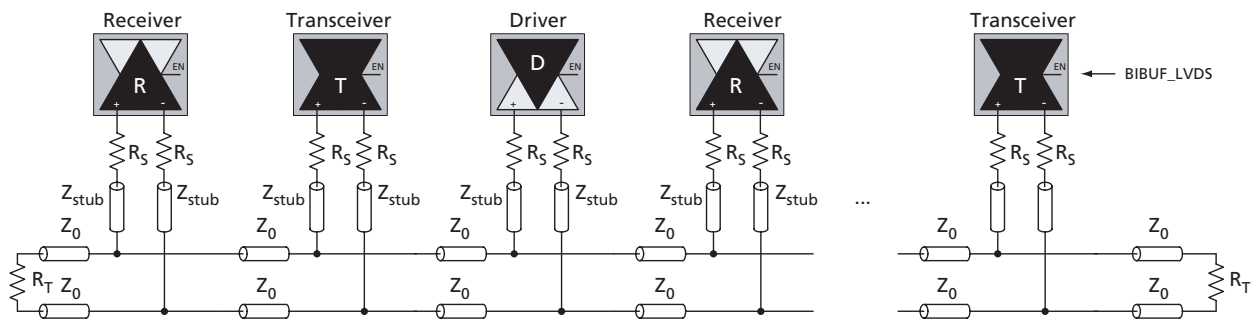


Figure 2-14 • B-LVDS/M-LVDS Multipoint Application Using LVDS I/O Buffers

LVPECL

Low-Voltage Positive Emitter-Coupled Logic (LVPECL) is another differential I/O standard. It requires that one data bit be carried through two signal lines. Like LVDS, two pins are needed. It also requires external resistor termination.

The full implementation of the LVDS transmitter and receiver is shown in an example in Figure 2-15. The building blocks of the LVPECL transmitter-receiver are one transmitter macro, one receiver macro, three board resistors at the transmitter end, and one resistor at the receiver end. The values for the three driver resistors are different from those used in the LVDS implementation because the output standard specifications are different.

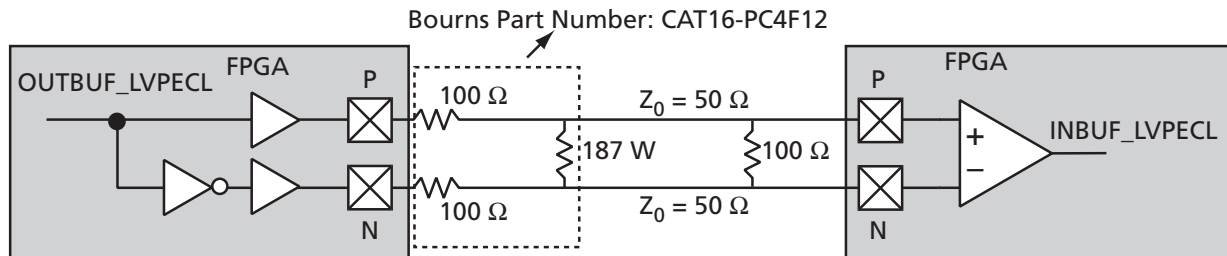


Figure 2-15 • LVPECL Circuit Diagram and Board-Level Implementation

Table 2-131 • Minimum and Maximum DC Input and Output Levels

DC Parameter	Description	Min.	Max.	Min.	Max.	Min.	Max.	Units
V _{CCI}	Supply Voltage	3.0		3.3		3.6		V
V _{OL}	Output LOW Voltage	0.96	1.27	1.06	1.43	1.30	1.57	V
V _{OH}	Output HIGH Voltage	1.8	2.11	1.92	2.28	2.13	2.41	V
V _{IL} , V _{IH}	Input LOW, Input HIGH Voltages	0	3.3	0	3.6	0	3.9	V
V _{ODIFF}	Differential Output Voltage	0.625	0.97	0.625	0.97	0.625	0.97	V
V _{OCM}	Output Common-Mode Voltage	1.762	1.98	1.762	1.98	1.762	1.98	V
V _{ICM}	Input Common-Mode Voltage	1.01	2.57	1.01	2.57	1.01	2.57	V
V _{IDIFF}	Input Differential Voltage	300		300		300		mV

Table 2-132 • AC Waveforms, Measuring Points, and Capacitive Loads

Input LOW (V)	Input HIGH (V)	Measuring Point* (V)
1.64	1.94	Cross point

* Measuring point = V_{trip} . See Table 2-28 on page 2-87 for a complete table of trip points.

Timing Characteristics

1.5 V DC Core Voltage

Table 2-133 • LVPECL – Applies to 1.5 V DC Core Voltage

Commercial-Case Conditions: $T_J = 70^\circ\text{C}$, Worst-Case $V_{CC} = 1.425\text{ V}$, Worst-Case $V_{CCI} = 3.0\text{ V}$
Applicable to Standard Banks

Speed Grade	t _{DOUT}	t _{DP}	t _{DIN}	t _{py}	Units
Std.	0.97	1.67	0.19	1.16	ns

Note: For specific junction temperature and voltage supply levels, refer to Table 2-6 on page 2-6 for derating values.

1.2 V DC Core Voltage

Table 2-134 • LVPECL – Applies to 1.2 V DC Core Voltage

Commercial-Case Conditions: $T_J = 70^\circ\text{C}$, Worst-Case $V_{CC} = 1.14\text{ V}$, Worst-Case $V_{CCI} = 3.0\text{ V}$
Applicable to Standard Banks

Speed Grade	t _{DOUT}	t _{DP}	t _{DIN}	t _{py}	Units
Std.	1.55	2.24	0.25	1.37	ns

Note: For specific junction temperature and voltage supply levels, refer to Table 2-7 on page 2-7 for derating values.

I/O Register Specifications

Fully Registered I/O Buffers with Synchronous Enable and Asynchronous Preset

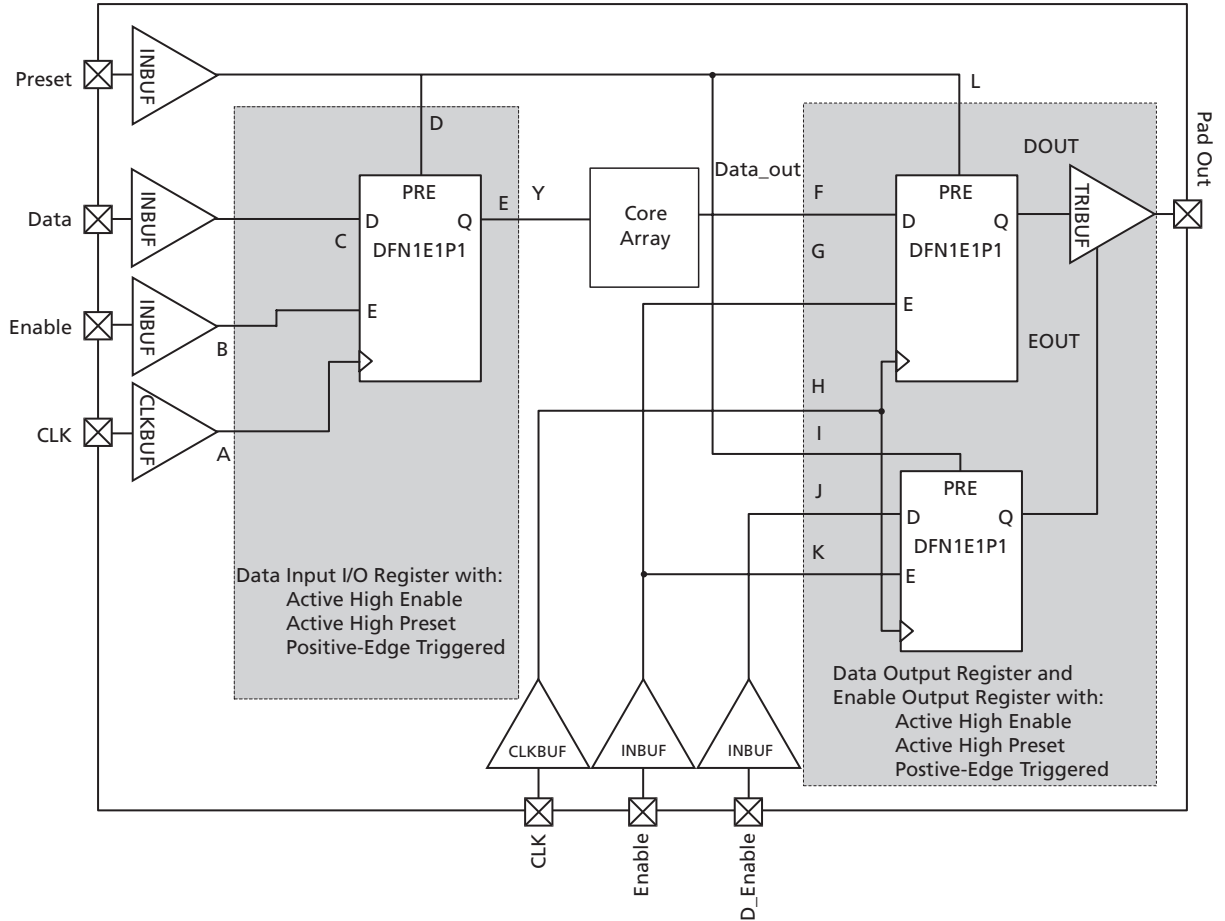


Figure 2-16 • Timing Model of Registered I/O Buffers with Synchronous Enable and Asynchronous Preset

Table 2-135 • Parameter Definition and Measuring Nodes

Parameter Name	Parameter Definition	Measuring Nodes (from, to)*
t _{OCLKQ}	Clock-to-Q of the Output Data Register	H, DOUT
t _{OSUD}	Data Setup Time for the Output Data Register	F, H
t _{OHD}	Data Hold Time for the Output Data Register	F, H
t _{OSUE}	Enable Setup Time for the Output Data Register	G, H
t _{OHE}	Enable Hold Time for the Output Data Register	G, H
t _{OPRE2Q}	Asynchronous Preset-to-Q of the Output Data Register	L, DOUT
t _{OEMPRE}	Asynchronous Preset Removal Time for the Output Data Register	L, H
t _{ORECPRE}	Asynchronous Preset Recovery Time for the Output Data Register	L, H
t _{OCLKQ}	Clock-to-Q of the Output Enable Register	H, EOUT
t _{OESUD}	Data Setup Time for the Output Enable Register	J, H
t _{OEH}	Data Hold Time for the Output Enable Register	J, H
t _{OESUE}	Enable Setup Time for the Output Enable Register	K, H
t _{OEH}	Enable Hold Time for the Output Enable Register	K, H
t _{OEPRE2Q}	Asynchronous Preset-to-Q of the Output Enable Register	I, EOUT
t _{OEMPRE}	Asynchronous Preset Removal Time for the Output Enable Register	I, H
t _{OERCPRE}	Asynchronous Preset Recovery Time for the Output Enable Register	I, H
t _{ICKQ}	Clock-to-Q of the Input Data Register	A, E
t _{ISUD}	Data Setup Time for the Input Data Register	C, A
t _{IHD}	Data Hold Time for the Input Data Register	C, A
t _{ISUE}	Enable Setup Time for the Input Data Register	B, A
t _{IHE}	Enable Hold Time for the Input Data Register	B, A
t _{IPRE2Q}	Asynchronous Preset-to-Q of the Input Data Register	D, E
t _{IEMPRE}	Asynchronous Preset Removal Time for the Input Data Register	D, A
t _{IRECPRE}	Asynchronous Preset Recovery Time for the Input Data Register	D, A

* See Figure 2-16 on page 2-68 for more information.

Fully Registered I/O Buffers with Synchronous Enable and Asynchronous Clear

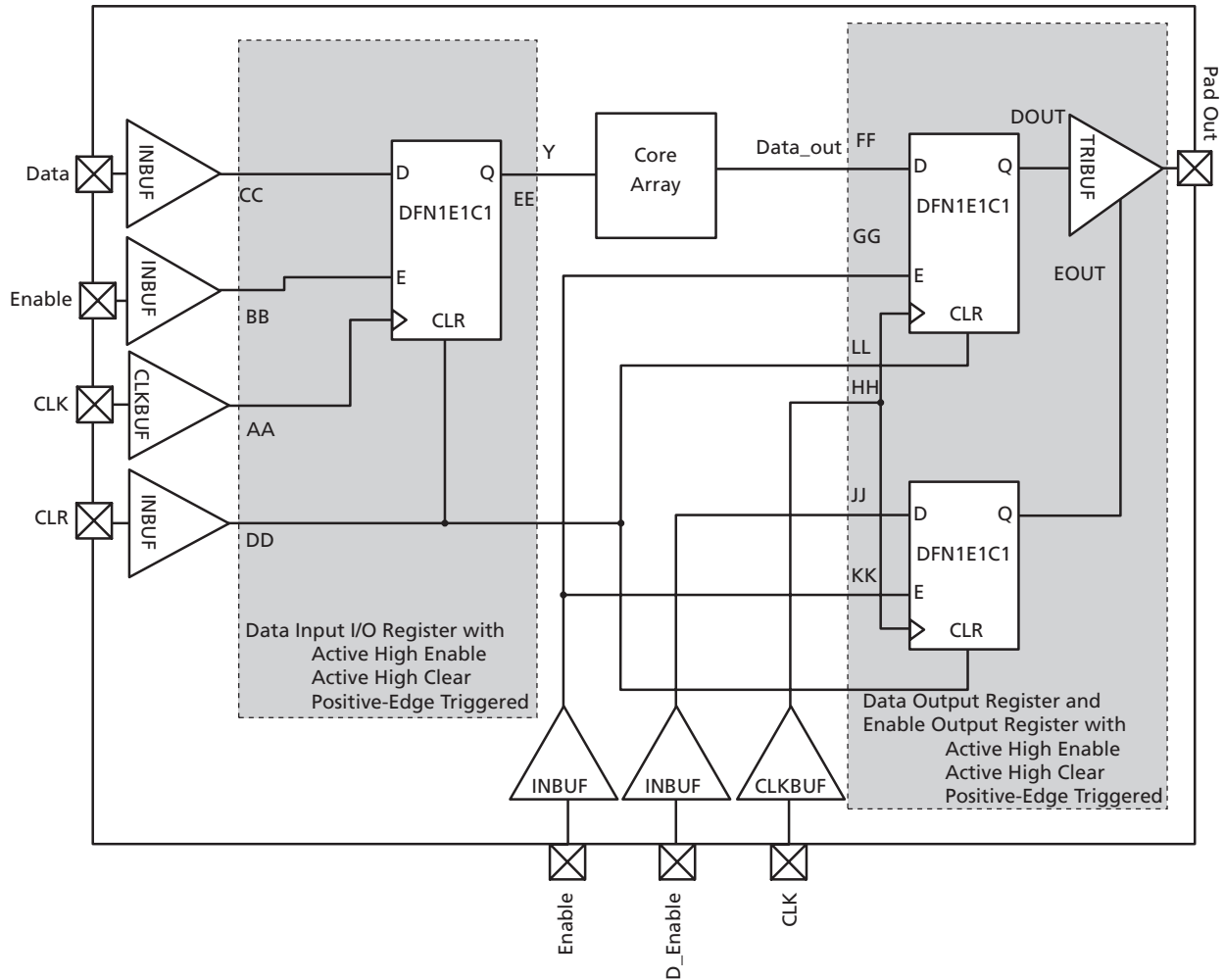


Figure 2-17 • Timing Model of the Registered I/O Buffers with Synchronous Enable and Asynchronous Clear

Table 2-136 • Parameter Definition and Measuring Nodes

Parameter Name	Parameter Definition	Measuring Nodes (from, to)*
t _{OCLKQ}	Clock-to-Q of the Output Data Register	HH, DOUT
t _{OSUD}	Data Setup Time for the Output Data Register	FF, HH
t _{OHD}	Data Hold Time for the Output Data Register	FF, HH
t _{OSUE}	Enable Setup Time for the Output Data Register	GG, HH
t _{OHE}	Enable Hold Time for the Output Data Register	GG, HH
t _{OCLR2Q}	Asynchronous Clear-to-Q of the Output Data Register	LL, DOUT
t _{OREMCLR}	Asynchronous Clear Removal Time for the Output Data Register	LL, HH
t _{ORECCLR}	Asynchronous Clear Recovery Time for the Output Data Register	LL, HH
t _{OECLKQ}	Clock-to-Q of the Output Enable Register	HH, EOUT
t _{OESUD}	Data Setup Time for the Output Enable Register	JJ, HH
t _{OEHD}	Data Hold Time for the Output Enable Register	JJ, HH
t _{OESUE}	Enable Setup Time for the Output Enable Register	KK, HH
t _{OEHE}	Enable Hold Time for the Output Enable Register	KK, HH
t _{OECLR2Q}	Asynchronous Clear-to-Q of the Output Enable Register	II, EOUT
t _{OEREMCLR}	Asynchronous Clear Removal Time for the Output Enable Register	II, HH
t _{OERECCLR}	Asynchronous Clear Recovery Time for the Output Enable Register	II, HH
t _{ICLKQ}	Clock-to-Q of the Input Data Register	AA, EE
t _{ISUD}	Data Setup Time for the Input Data Register	CC, AA
t _{IHD}	Data Hold Time for the Input Data Register	CC, AA
t _{ISUE}	Enable Setup Time for the Input Data Register	BB, AA
t _{IHE}	Enable Hold Time for the Input Data Register	BB, AA
t _{ICLR2Q}	Asynchronous Clear-to-Q of the Input Data Register	DD, EE
t _{IREMCLR}	Asynchronous Clear Removal Time for the Input Data Register	DD, AA
t _{IRECCLR}	Asynchronous Clear Recovery Time for the Input Data Register	DD, AA

* See Figure 2-17 on page 2-70 for more information.

Input Register

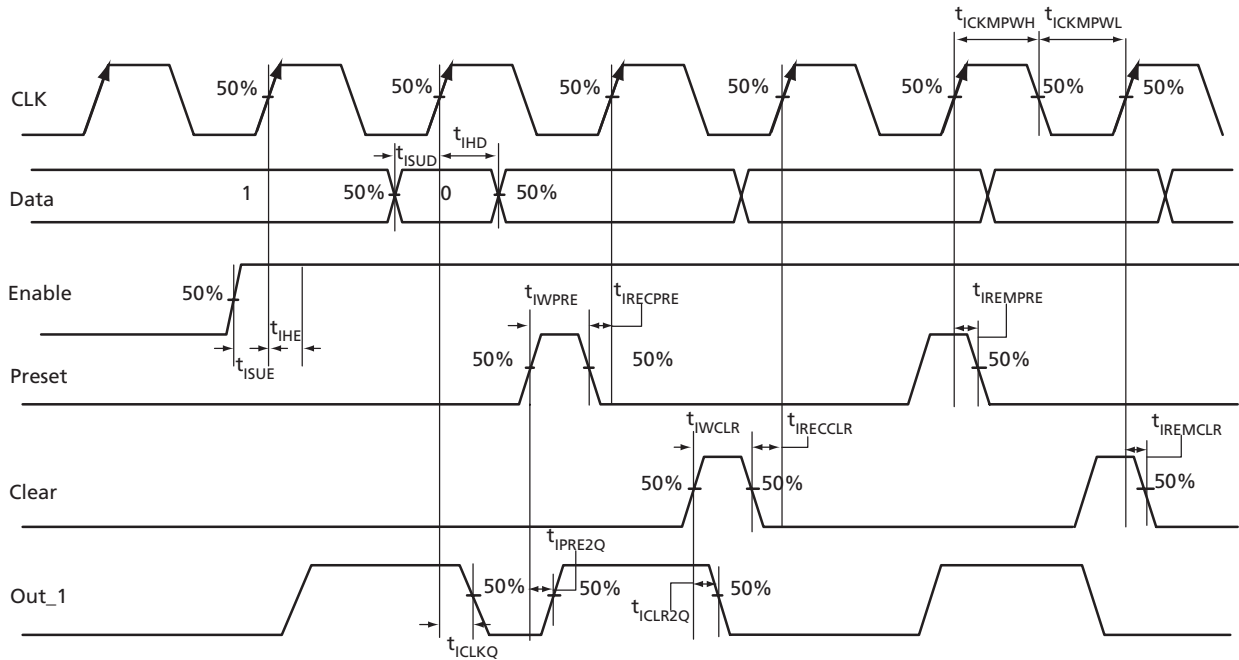


Figure 2-18 • Input Register Timing Diagram

Timing Characteristics

1.5 V DC Core Voltage

Table 2-137 • Input Data Register Propagation Delays
Commercial-Case Conditions: $T_J = 70^\circ\text{C}$, Worst-Case $V_{CC} = 1.425\text{ V}$

Parameter	Description	Std.	Units
t_{ICLKQ}	Clock-to-Q of the Input Data Register	0.42	ns
t_{ISUD}	Data Setup Time for the Input Data Register	0.47	ns
t_{IHD}	Data Hold Time for the Input Data Register	0.00	ns
t_{ISUE}	Enable Setup Time for the Input Data Register	0.67	ns
t_{IHE}	Enable Hold Time for the Input Data Register	0.00	ns
t_{ICLR2Q}	Asynchronous Clear-to-Q of the Input Data Register	0.79	ns
t_{IPRE2Q}	Asynchronous Preset-to-Q of the Input Data Register	0.79	ns
$t_{IREMCLR}$	Asynchronous Clear Removal Time for the Input Data Register	0.00	ns
$t_{IRECCLR}$	Asynchronous Clear Recovery Time for the Input Data Register	0.24	ns
$t_{IREMPRE}$	Asynchronous Preset Removal Time for the Input Data Register	0.00	ns
$t_{IRECPRE}$	Asynchronous Preset Recovery Time for the Input Data Register	0.24	ns
t_{IWCLR}	Asynchronous Clear Minimum Pulse Width for the Input Data Register	0.19	ns
t_{IWPRE}	Asynchronous Preset Minimum Pulse Width for the Input Data Register	0.19	ns
$t_{ICKMPWH}$	Clock Minimum Pulse Width HIGH for the Input Data Register	0.31	ns
$t_{ICKMPWL}$	Clock Minimum Pulse Width LOW for the Input Data Register	0.28	ns

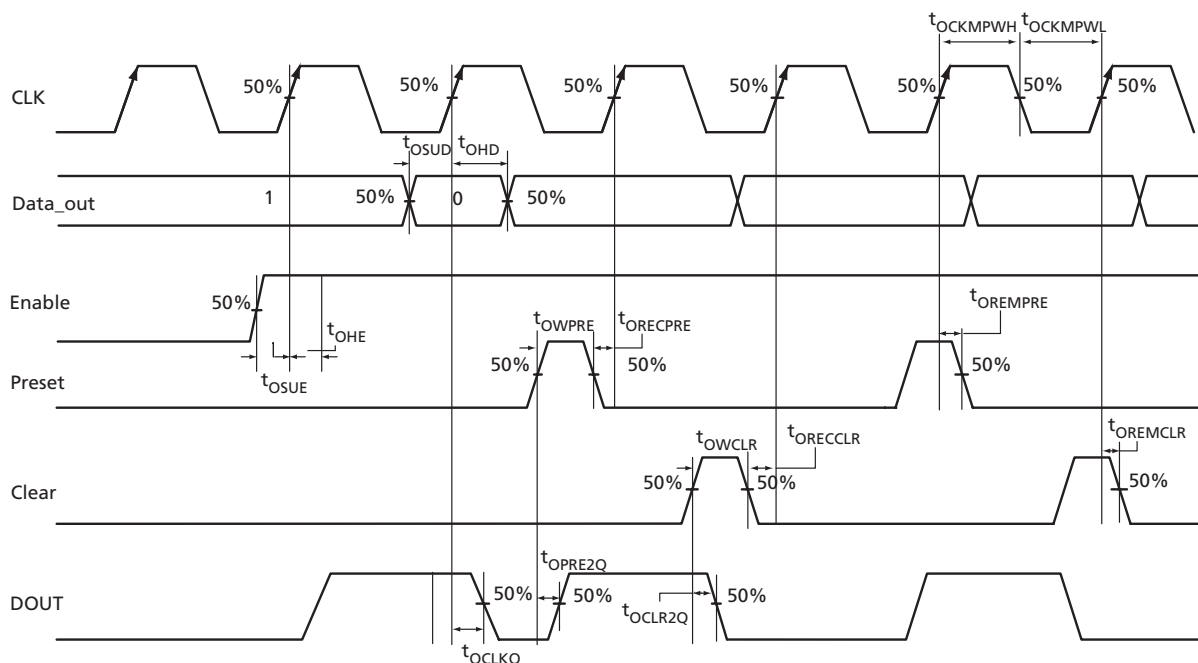
Note: For specific junction temperature and voltage supply levels, refer to Table 2-6 on page 2-6 for derating values.

1.2 V DC Core Voltage

Table 2-138 • Input Data Register Propagation Delays
 Commercial-Case Conditions: $T_J = 70^\circ\text{C}$, Worst-Case $V_{CC} = 1.14\text{ V}$

Parameter	Description	Std.	Units
t_{CLKQ}	Clock-to-Q of the Input Data Register	0.68	ns
t_{ISUD}	Data Setup Time for the Input Data Register	0.97	ns
t_{IHD}	Data Hold Time for the Input Data Register	0.00	ns
t_{ISUE}	Enable Setup Time for the Input Data Register	1.02	ns
t_{IHE}	Enable Hold Time for the Input Data Register	0.00	ns
t_{ICLR2Q}	Asynchronous Clear-to-Q of the Input Data Register	1.19	ns
t_{IPRE2Q}	Asynchronous Preset-to-Q of the Input Data Register	1.19	ns
t_{IREMCLR}	Asynchronous Clear Removal Time for the Input Data Register	0.00	ns
t_{IRECCLR}	Asynchronous Clear Recovery Time for the Input Data Register	0.24	ns
t_{IREMPRE}	Asynchronous Preset Removal Time for the Input Data Register	0.00	ns
t_{IRECPRE}	Asynchronous Preset Recovery Time for the Input Data Register	0.24	ns
t_{IWCLR}	Asynchronous Clear Minimum Pulse Width for the Input Data Register	0.19	ns
t_{IWPRE}	Asynchronous Preset Minimum Pulse Width for the Input Data Register	0.19	ns
t_{ICKMPWH}	Clock Minimum Pulse Width HIGH for the Input Data Register	0.31	ns
t_{ICKMPWL}	Clock Minimum Pulse Width LOW for the Input Data Register	0.28	ns

Note: For specific junction temperature and voltage supply levels, refer to Table 2-7 on page 2-7 for derating values.

Output Register

Figure 2-19 • Output Register Timing Diagram

Timing Characteristics

1.5 V DC Core Voltage

Table 2-139 • Output Data Register Propagation Delays
Commercial-Case Conditions: $T_J = 70^\circ\text{C}$, Worst-Case $V_{CC} = 1.425\text{ V}$

Parameter	Description	Std.	Units
t_{OCLKQ}	Clock-to-Q of the Output Data Register	1.00	ns
t_{OSUD}	Data Setup Time for the Output Data Register	0.51	ns
t_{OHD}	Data Hold Time for the Output Data Register	0.00	ns
t_{OSUE}	Enable Setup Time for the Output Data Register	0.70	ns
t_{OHE}	Enable Hold Time for the Output Data Register	0.00	ns
t_{OCLR2Q}	Asynchronous Clear-to-Q of the Output Data Register	1.34	ns
t_{OPRE2Q}	Asynchronous Preset-to-Q of the Output Data Register	1.34	ns
$t_{OREMCLR}$	Asynchronous Clear Removal Time for the Output Data Register	0.00	ns
$t_{ORECCLR}$	Asynchronous Clear Recovery Time for the Output Data Register	0.24	ns
$t_{OREMPRE}$	Asynchronous Preset Removal Time for the Output Data Register	0.00	ns
$t_{ORECPRE}$	Asynchronous Preset Recovery Time for the Output Data Register	0.24	ns
t_{OWCLR}	Asynchronous Clear Minimum Pulse Width for the Output Data Register	0.19	ns
t_{OWPRE}	Asynchronous Preset Minimum Pulse Width for the Output Data Register	0.19	ns
$t_{OCLKMPWH}$	Clock Minimum Pulse Width HIGH for the Output Data Register	0.31	ns
$t_{OCLKMPWL}$	Clock Minimum Pulse Width LOW for the Output Data Register	0.28	ns

Note: For specific junction temperature and voltage supply levels, refer to [Table 2-6 on page 2-6](#) for derating values.

1.2 V DC Core Voltage

Table 2-140 • Output Data Register Propagation Delays
Commercial-Case Conditions: $T_J = 70^\circ\text{C}$, Worst-Case $V_{CC} = 1.14\text{ V}$

Parameter	Description	Std.	Units
t_{OCLKQ}	Clock-to-Q of the Output Data Register	1.52	ns
t_{OSUD}	Data Setup Time for the Output Data Register	1.15	ns
t_{OHD}	Data Hold Time for the Output Data Register	0.00	ns
t_{OSUE}	Enable Setup Time for the Output Data Register	1.11	ns
t_{OHE}	Enable Hold Time for the Output Data Register	0.00	ns
t_{OCLR2Q}	Asynchronous Clear-to-Q of the Output Data Register	1.96	ns
t_{OPRE2Q}	Asynchronous Preset-to-Q of the Output Data Register	1.96	ns
$t_{OREMCLR}$	Asynchronous Clear Removal Time for the Output Data Register	0.00	ns
$t_{ORECCLR}$	Asynchronous Clear Recovery Time for the Output Data Register	0.24	ns
$t_{OREMPRE}$	Asynchronous Preset Removal Time for the Output Data Register	0.00	ns
$t_{ORECPRE}$	Asynchronous Preset Recovery Time for the Output Data Register	0.24	ns
t_{OWCLR}	Asynchronous Clear Minimum Pulse Width for the Output Data Register	0.19	ns
t_{OWPRE}	Asynchronous Preset Minimum Pulse Width for the Output Data Register	0.19	ns
$t_{OCLKMPWH}$	Clock Minimum Pulse Width HIGH for the Output Data Register	0.31	ns
$t_{OCLKMPWL}$	Clock Minimum Pulse Width LOW for the Output Data Register	0.28	ns

Note: For specific junction temperature and voltage supply levels, refer to [Table 2-7 on page 2-7](#) for derating values.

Output Enable Register

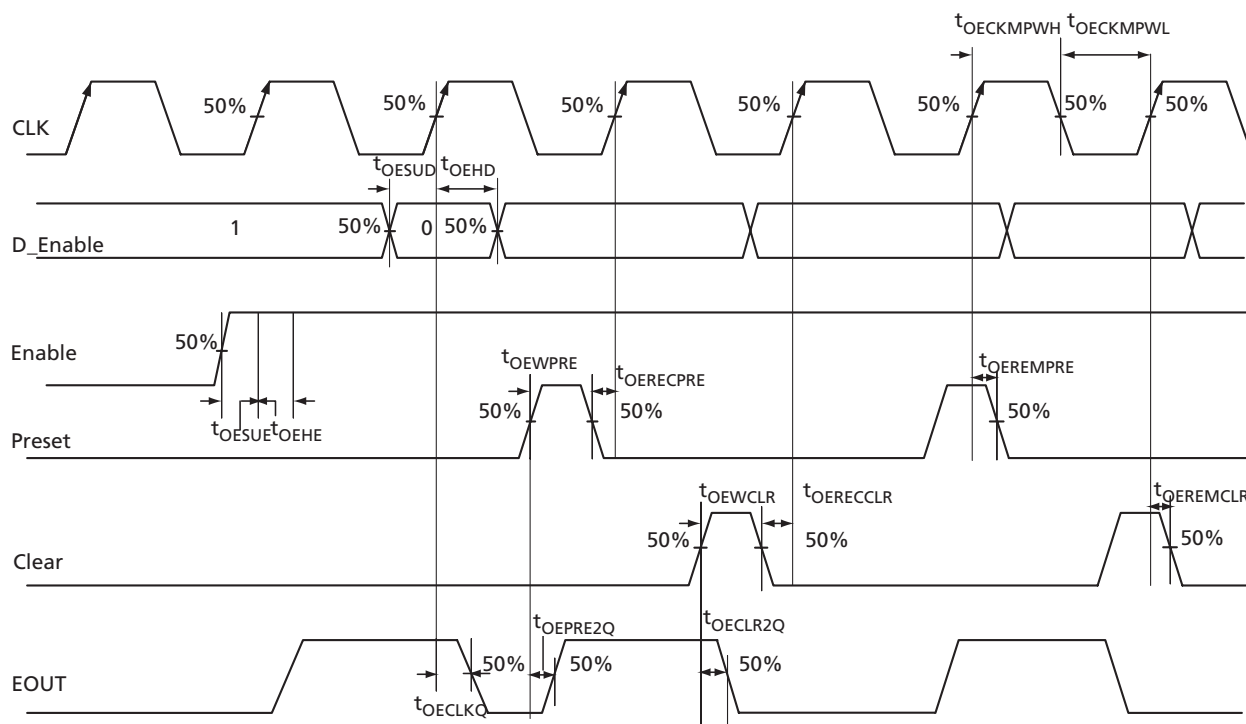


Figure 2-20 • Output Enable Register Timing Diagram

Timing Characteristics

1.5 V DC Core Voltage

Table 2-141 • Output Enable Register Propagation Delays

Commercial-Case Conditions: $T_J = 70^\circ\text{C}$, Worst-Case $V_{CC} = 1.425\text{ V}$

Parameter	Description	Std.	Units
t_{OECLKQ}	Clock-to-Q of the Output Enable Register	0.75	ns
t_{OESUD}	Data Setup Time for the Output Enable Register	0.51	ns
t_{OEHD}	Data Hold Time for the Output Enable Register	0.00	ns
t_{OESUE}	Enable Setup Time for the Output Enable Register	0.73	ns
t_{OEHE}	Enable Hold Time for the Output Enable Register	0.00	ns
$t_{OECLR2Q}$	Asynchronous Clear-to-Q of the Output Enable Register	1.13	ns
$t_{OEPRE2Q}$	Asynchronous Preset-to-Q of the Output Enable Register	1.13	ns
$t_{OEREMCLR}$	Asynchronous Clear Removal Time for the Output Enable Register	0.00	ns
$t_{OERECCLR}$	Asynchronous Clear Recovery Time for the Output Enable Register	0.24	ns
$t_{OEREMPRES}$	Asynchronous Preset Removal Time for the Output Enable Register	0.00	ns
$t_{OERECPRE}$	Asynchronous Preset Recovery Time for the Output Enable Register	0.24	ns
$t_{OEWCCLR}$	Asynchronous Clear Minimum Pulse Width for the Output Enable Register	0.19	ns
$t_{OEWPRES}$	Asynchronous Preset Minimum Pulse Width for the Output Enable Register	0.19	ns
$t_{OECKMPWH}$	Clock Minimum Pulse Width HIGH for the Output Enable Register	0.31	ns
$t_{OECKMPWL}$	Clock Minimum Pulse Width LOW for the Output Enable Register	0.28	ns

Note: For specific junction temperature and voltage supply levels, refer to Table 2-6 on page 2-6 for derating values.

1.2 V DC Core Voltage

Table 2-142 • Output Enable Register Propagation Delays
 Commercial-Case Conditions: $T_J = 70^\circ\text{C}$, Worst-Case $V_{CC} = 1.14\text{ V}$

Parameter	Description	Std.	Units
t_{OECLKQ}	Clock-to-Q of the Output Enable Register	1.10	ns
t_{OESUD}	Data Setup Time for the Output Enable Register	1.15	ns
t_{OEHD}	Data Hold Time for the Output Enable Register	0.00	ns
t_{OESUE}	Enable Setup Time for the Output Enable Register	1.22	ns
t_{OEHE}	Enable Hold Time for the Output Enable Register	0.00	ns
$t_{OECLR2Q}$	Asynchronous Clear-to-Q of the Output Enable Register	1.65	ns
$t_{OEPRE2Q}$	Asynchronous Preset-to-Q of the Output Enable Register	1.65	ns
$t_{OEREMCLR}$	Asynchronous Clear Removal Time for the Output Enable Register	0.00	ns
$t_{OERECCLR}$	Asynchronous Clear Recovery Time for the Output Enable Register	0.24	ns
$t_{OEREMPRE}$	Asynchronous Preset Removal Time for the Output Enable Register	0.00	ns
$t_{OERECPRE}$	Asynchronous Preset Recovery Time for the Output Enable Register	0.24	ns
$t_{OEWCCLR}$	Asynchronous Clear Minimum Pulse Width for the Output Enable Register	0.19	ns
$t_{OEWPRES}$	Asynchronous Preset Minimum Pulse Width for the Output Enable Register	0.19	ns
$t_{OECKMPWH}$	Clock Minimum Pulse Width HIGH for the Output Enable Register	0.31	ns
$t_{OECKMPWL}$	Clock Minimum Pulse Width LOW for the Output Enable Register	0.28	ns

Note: For specific junction temperature and voltage supply levels, refer to [Table 2-7 on page 2-7](#) for derating values.

DDR Module Specifications

Input DDR Module

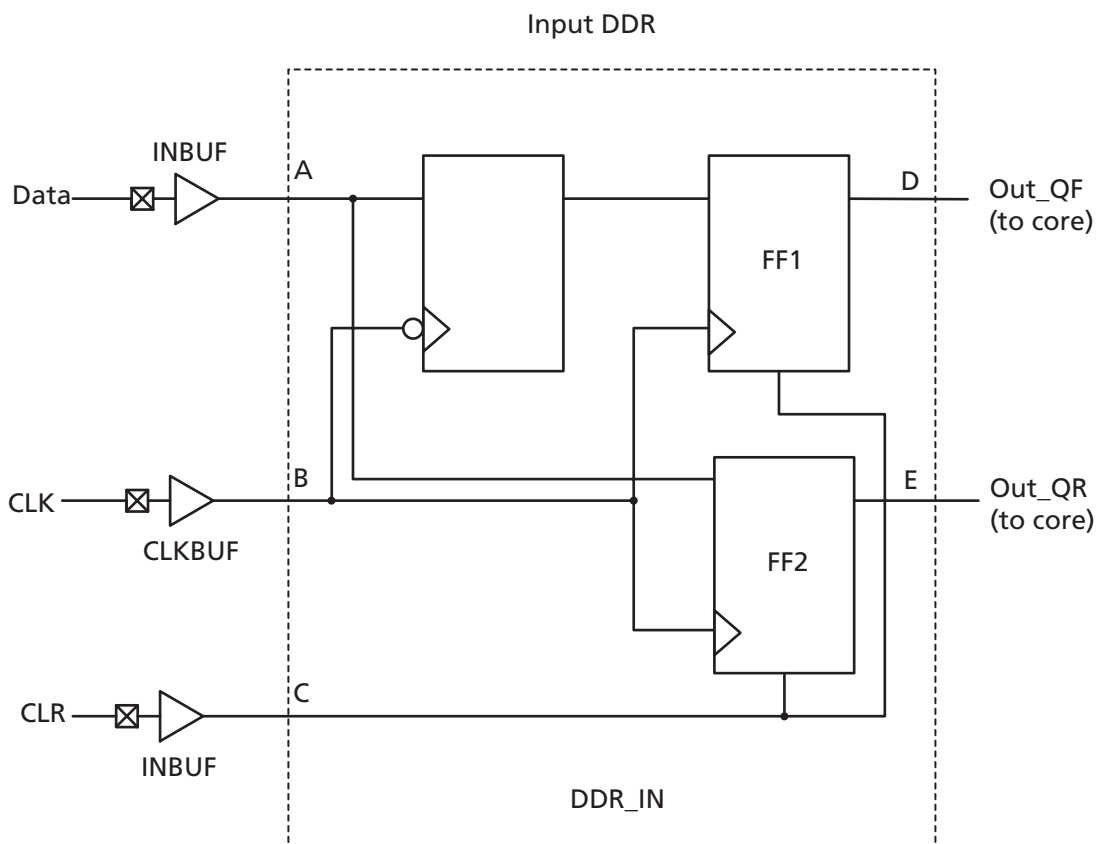
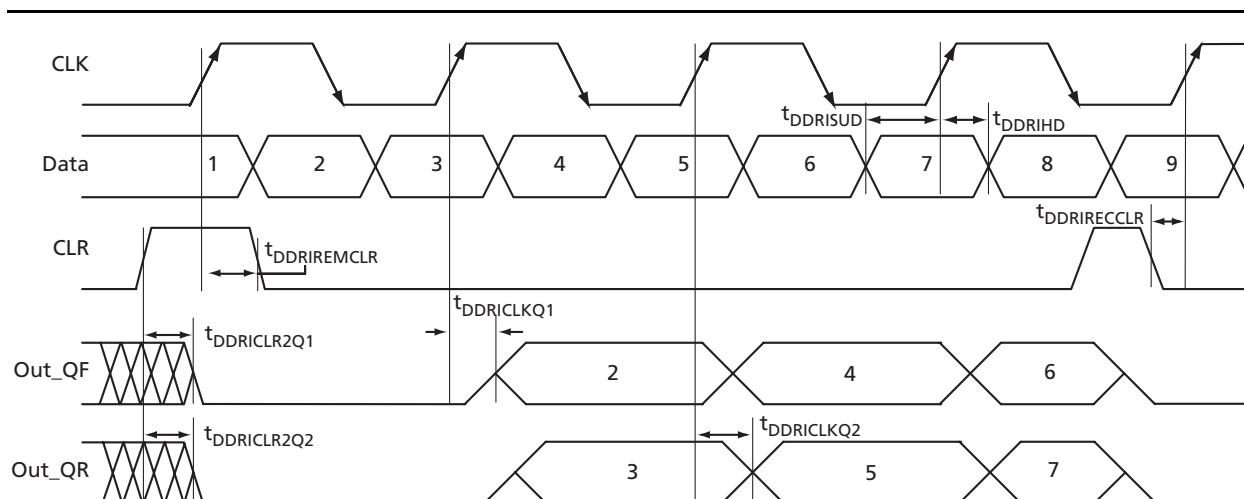


Figure 2-21 • Input DDR Timing Model

Table 2-143 • Parameter Definitions

Parameter Name	Parameter Definition	Measuring Nodes (from, to)
$t_{DDRICKQ1}$	Clock-to-Out Out_QR	B, D
$t_{DDRICKQ2}$	Clock-to-Out Out_QF	B, E
$t_{DDRISUD}$	Data Setup Time of DDR input	A, B
t_{DDRIHD}	Data Hold Time of DDR input	A, B
$t_{DDRICLR2Q1}$	Clear-to-Out Out_QR	C, D
$t_{DDRICLR2Q2}$	Clear-to-Out Out_QF	C, E
$t_{DDRIREMCLR}$	Clear Removal	C, B
$t_{DDRIRECCLR}$	Clear Recovery	C, B


Figure 2-22 • Input DDR Timing Diagram

Timing Characteristics

1.5 V DC Core Voltage

Table 2-144 • Input DDR Propagation Delays

 Commercial-Case Conditions: $T_J = 70^\circ\text{C}$, Worst-Case $V_{CC} = 1.25\text{ V}$

Parameter	Description	Std.	Units
t_{DDRICKQ1}	Clock-to-Out Out_QR for Input DDR	0.48	ns
t_{DDRICKQ2}	Clock-to-Out Out_QF for Input DDR	0.65	ns
t_{DDRISUD1}	Data Setup for Input DDR (negedge)	0.50	ns
t_{DDRISUD2}	Data Setup for Input DDR (posedge)	0.40	ns
t_{DDRHD1}	Data Hold for Input DDR (negedge)	0.00	ns
t_{DDRHD2}	Data Hold for Input DDR (posedge)	0.00	ns
$t_{\text{DDRICKR2Q1}}$	Asynchronous Clear-to-Out Out_QR for Input DDR	0.82	ns
$t_{\text{DDRICKR2Q2}}$	Asynchronous Clear-to-Out Out_QF for Input DDR	0.98	ns
t_{DDRREMLR}	Asynchronous Clear Removal Time for Input DDR	0.00	ns
t_{DDRRECLR}	Asynchronous Clear Recovery Time for Input DDR	0.23	ns
t_{DDRWCCLR}	Asynchronous Clear Minimum Pulse Width for Input DDR	0.19	ns
$t_{\text{DDRICKMPWH}}$	Clock Minimum Pulse Width HIGH for Input DDR	0.31	ns
$t_{\text{DDRICKMPWL}}$	Clock Minimum Pulse Width LOW for Input DDR	0.28	ns
F_{DDRIMAX}	Maximum Frequency for Input DDR	TBD	MHz

Note: For specific junction temperature and voltage supply levels, refer to Table 2-7 on page 2-7 for derating values.

1.2 V DC Core Voltage

Table 2-145 • Input DDR Propagation Delays

Commercial-Case Conditions: $T_J = 70^\circ\text{C}$, Worst-Case $V_{CC} = 1.14\text{ V}$

Parameter	Description	Std.	Units
t_{DDRICKQ1}	Clock-to-Out Out_QR for Input DDR	0.76	ns
t_{DDRICKQ2}	Clock-to-Out Out_QF for Input DDR	0.94	ns
t_{DDRISUD1}	Data Setup for Input DDR (negedge)	0.93	ns
t_{DDRISUD2}	Data Setup for Input DDR (posedge)	0.84	ns
t_{DDRIHD1}	Data Hold for Input DDR (negedge)	0.00	ns
t_{DDRIHD2}	Data Hold for Input DDR (posedge)	0.00	ns
$t_{\text{DDRICLR2Q1}}$	Asynchronous Clear-to-Out Out_QR for Input DDR	1.23	ns
$t_{\text{DDRICLR2Q2}}$	Asynchronous Clear-to-Out Out_QF for Input DDR	1.42	ns
$t_{\text{DDRIRECLR}}$	Asynchronous Clear Removal Time for Input DDR	0.00	ns
$t_{\text{DDRIRECLR}}$	Asynchronous Clear Recovery Time for Input DDR	0.24	ns
t_{DDRiWCLR}	Asynchronous Clear Minimum Pulse Width for Input DDR	0.19	ns
$t_{\text{DDRICKMPWH}}$	Clock Minimum Pulse Width HIGH for Input DDR	0.31	ns
$t_{\text{DDRICKMPWL}}$	Clock Minimum Pulse Width LOW for Input DDR	0.28	ns
F_{DDRIMAX}	Maximum Frequency for Input DDR	TBD	MHz

Note: For specific junction temperature and voltage supply levels, refer to [Table 2-7 on page 2-7](#) for derating values.

Output DDR Module

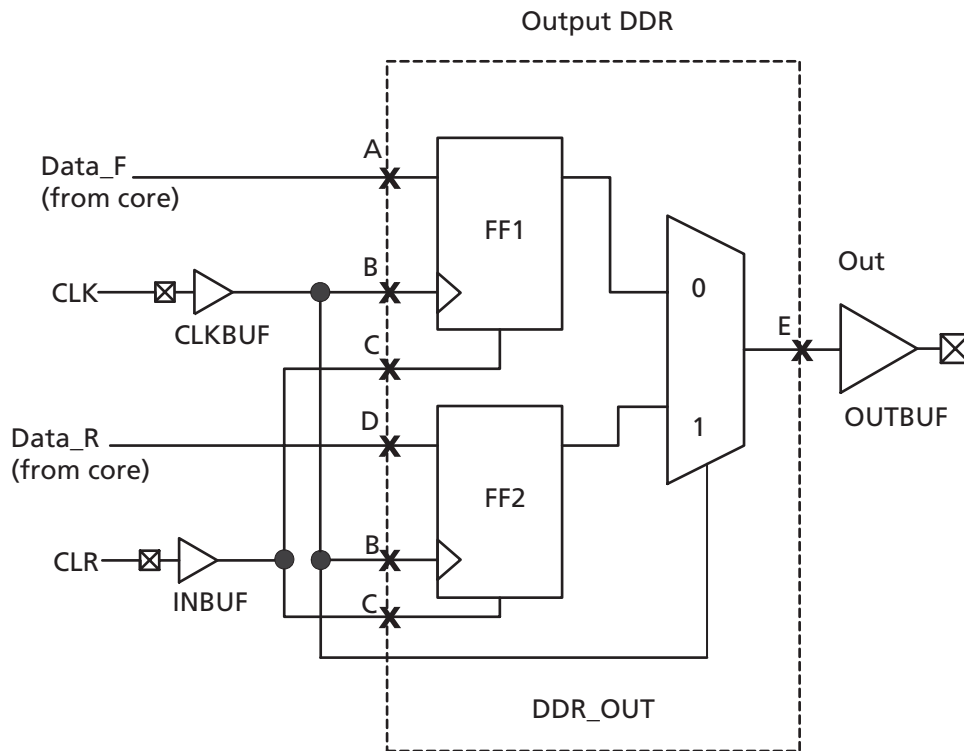
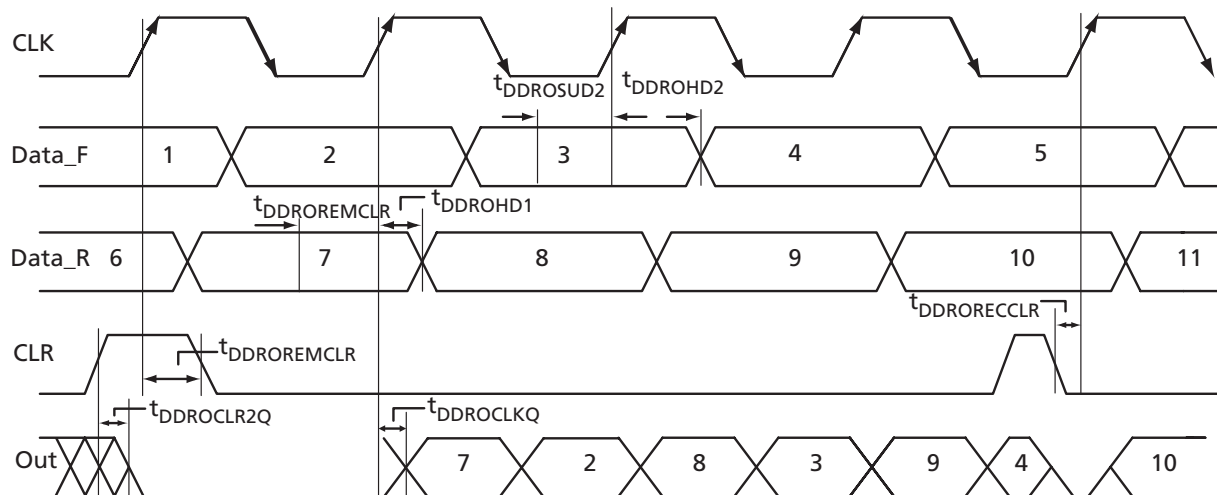


Figure 2-23 • Output DDR Timing Model

Table 2-146 • Parameter Definitions

Parameter Name	Parameter Definition	Measuring Nodes (from, to)
$t_{DDROCLKQ}$	Clock-to-Out	B, E
$t_{DDROCLR2Q}$	Asynchronous Clear-to-Out	C, E
$t_{DDROREMCLR}$	Clear Removal	C, B
$t_{DDRORECCLR}$	Clear Recovery	C, B
$t_{DDROSUD1}$	Data Setup Data_F	A, B
$t_{DDROSUD2}$	Data Setup Data_R	D, B
$t_{DDROHD1}$	Data Hold Data_F	A, B
$t_{DDROHD2}$	Data Hold Data_R	D, B


Figure 2-24 • Output DDR Timing Diagram

Timing Characteristics

1.5 V DC Core Voltage

Table 2-147 • Output DDR Propagation Delays

Commercial-Case Conditions: $T_J = 70^\circ\text{C}$, Worst-Case $V_{CC} = 1.14\text{ V}$

Parameter	Description	Std.	Units
t_{DDROCLKQ}	Clock-to-Out of DDR for Output DDR	1.07	ns
t_{DDROSUD1}	Data_F Data Setup for Output DDR	0.67	ns
t_{DDROSUD2}	Data_R Data Setup for Output DDR	0.67	ns
t_{DDROHD1}	Data_F Data Hold for Output DDR	0.00	ns
t_{DDROHD2}	Data_R Data Hold for Output DDR	0.00	ns
$t_{\text{DDROCLR2Q}}$	Asynchronous Clear-to-Out for Output DDR	1.38	ns
$t_{\text{DDROEMCLR}}$	Asynchronous Clear Removal Time for Output DDR	0.00	ns
$t_{\text{DDROECLLR}}$	Asynchronous Clear Recovery Time for Output DDR	0.23	ns
$t_{\text{DDROWCLR1}}$	Asynchronous Clear Minimum Pulse Width for Output DDR	0.19	ns
$t_{\text{DDROCKMPWH}}$	Clock Minimum Pulse Width HIGH for the Output DDR	0.31	ns
$t_{\text{DDROCKMPWL}}$	Clock Minimum Pulse Width LOW for the Output DDR	0.28	ns
F_{DDOMAX}	Maximum Frequency for the Output DDR	TBD	MHz

Note: For specific junction temperature and voltage supply levels, refer to Table 2-6 on page 2-6 for derating values.

1.2 V DC Core Voltage
Table 2-148 • Output DDR Propagation Delays
 Commercial-Case Conditions: $T_J = 70^\circ\text{C}$, Worst-Case $V_{CC} = 1.14\text{ V}$

Parameter	Description	Std.	Units
t_{DDROCLKQ}	Clock-to-Out of DDR for Output DDR	1.60	ns
t_{DDROSUD1}	Data_F Data Setup for Output DDR	1.09	ns
t_{DDROSUD2}	Data_R Data Setup for Output DDR	1.16	ns
t_{DDROHD1}	Data_F Data Hold for Output DDR	0.00	ns
t_{DDROHD2}	Data_R Data Hold for Output DDR	0.00	ns
$t_{\text{DDROCLR2Q}}$	Asynchronous Clear-to-Out for Output DDR	1.99	ns
$t_{\text{DDROREMCLR}}$	Asynchronous Clear Removal Time for Output DDR	0.00	ns
$t_{\text{DDRORECLR}}$	Asynchronous Clear Recovery Time for Output DDR	0.24	ns
$t_{\text{DDROWCLR1}}$	Asynchronous Clear Minimum Pulse Width for Output DDR	0.19	ns
$t_{\text{DDROCKMPWH}}$	Clock Minimum Pulse Width HIGH for the Output DDR	0.31	ns
$t_{\text{DDROCKMPWL}}$	Clock Minimum Pulse Width LOW for the Output DDR	0.28	ns
F_{DDOMAX}	Maximum Frequency for the Output DDR	TBD	MHz

Note: For specific junction temperature and voltage supply levels, refer to [Table 2-7 on page 2-7](#) for derating values.

VersaTile Characteristics

VersaTile Specifications as a Combinatorial Module

The IGLOO library offers all combinations of LUT-3 combinatorial functions. In this section, timing characteristics are presented for a sample of the library. For more details, refer to the *IGLOO, Fusion, and ProASIC3 Macro Library Guide*.

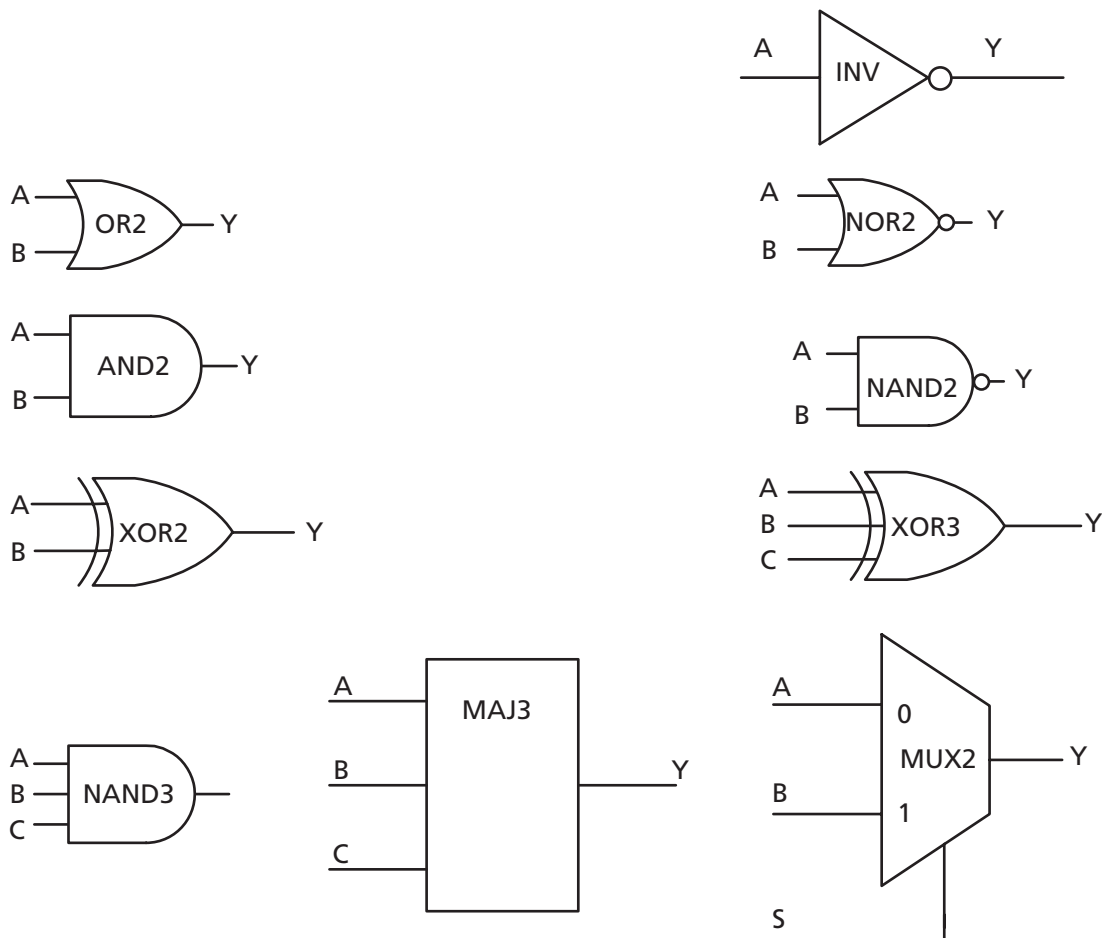


Figure 2-25 • Sample of Combinatorial Cells

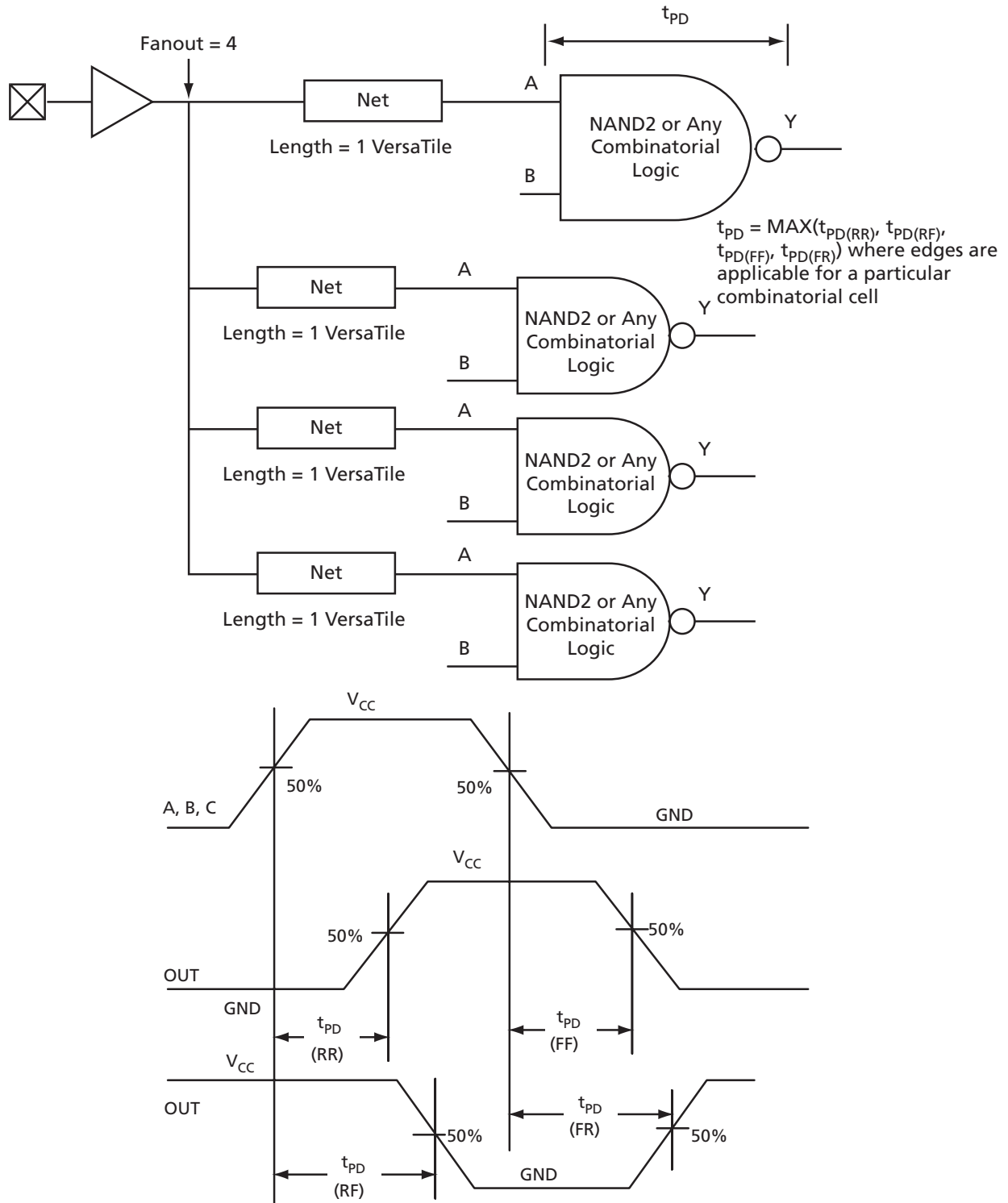


Figure 2-26 • Timing Model and Waveforms

Timing Characteristics

1.5 V DC Core Voltage

Table 2-149 • Combinatorial Cell Propagation Delays

Commercial-Case Conditions: $T_J = 70^\circ\text{C}$, Worst-Case $V_{CC} = 1.425\text{ V}$

Combinatorial Cell	Equation	Parameter	Std.	Units
INV	$Y = !A$	t_{PD}	0.80	ns
AND2	$Y = A \cdot B$	t_{PD}	0.84	ns
NAND2	$Y = !(A \cdot B)$	t_{PD}	0.90	ns
OR2	$Y = A + B$	t_{PD}	1.19	ns
NOR2	$Y = !(A + B)$	t_{PD}	1.10	ns
XOR2	$Y = A \oplus B$	t_{PD}	1.37	ns
MAJ3	$Y = \text{MAJ}(A, B, C)$	t_{PD}	1.33	ns
XOR3	$Y = A \oplus B \oplus C$	t_{PD}	1.79	ns
MUX2	$Y = A \text{ IS } + B \text{ S}$	t_{PD}	1.48	ns
AND3	$Y = A \cdot B \cdot C$	t_{PD}	1.21	ns

Note: For specific junction temperature and voltage supply levels, refer to [Table 2-6 on page 2-6](#) for derating values.

1.2 V DC Core Voltage

Table 2-150 • Combinatorial Cell Propagation Delays

Commercial-Case Conditions: $T_J = 70^\circ\text{C}$, Worst-Case $V_{CC} = 1.14\text{ V}$

Combinatorial Cell	Equation	Parameter	Std.	Units
INV	$Y = !A$	t_{PD}	1.34	ns
AND2	$Y = A \cdot B$	t_{PD}	1.43	ns
NAND2	$Y = !(A \cdot B)$	t_{PD}	1.59	ns
OR2	$Y = A + B$	t_{PD}	2.30	ns
NOR2	$Y = !(A + B)$	t_{PD}	2.07	ns
XOR2	$Y = A \oplus B$	t_{PD}	2.46	ns
MAJ3	$Y = \text{MAJ}(A, B, C)$	t_{PD}	2.46	ns
XOR3	$Y = A \oplus B \oplus C$	t_{PD}	3.12	ns
MUX2	$Y = A \text{ IS } + B \text{ S}$	t_{PD}	2.83	ns
AND3	$Y = A \cdot B \cdot C$	t_{PD}	2.28	ns

Note: For specific junction temperature and voltage supply levels, refer to [Table 2-7 on page 2-7](#) for derating values.

VersaTile Specifications as a Sequential Module

The IGLOO library offers a wide variety of sequential cells, including flip-flops and latches. Each has a data input and optional enable, clear, or preset. In this section, timing characteristics are presented for a representative sample from the library. For more details, refer to the *IGLOO, Fusion, and ProASIC3 Macro Library Guide*.

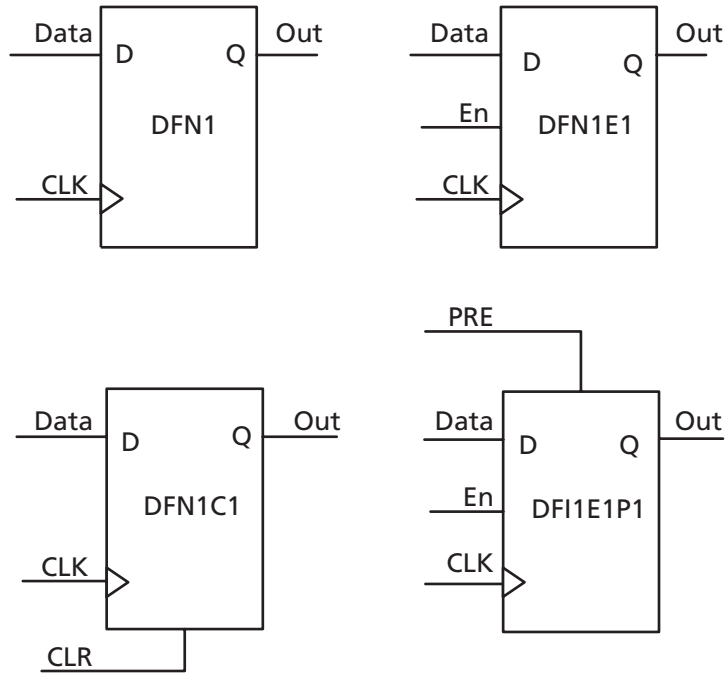
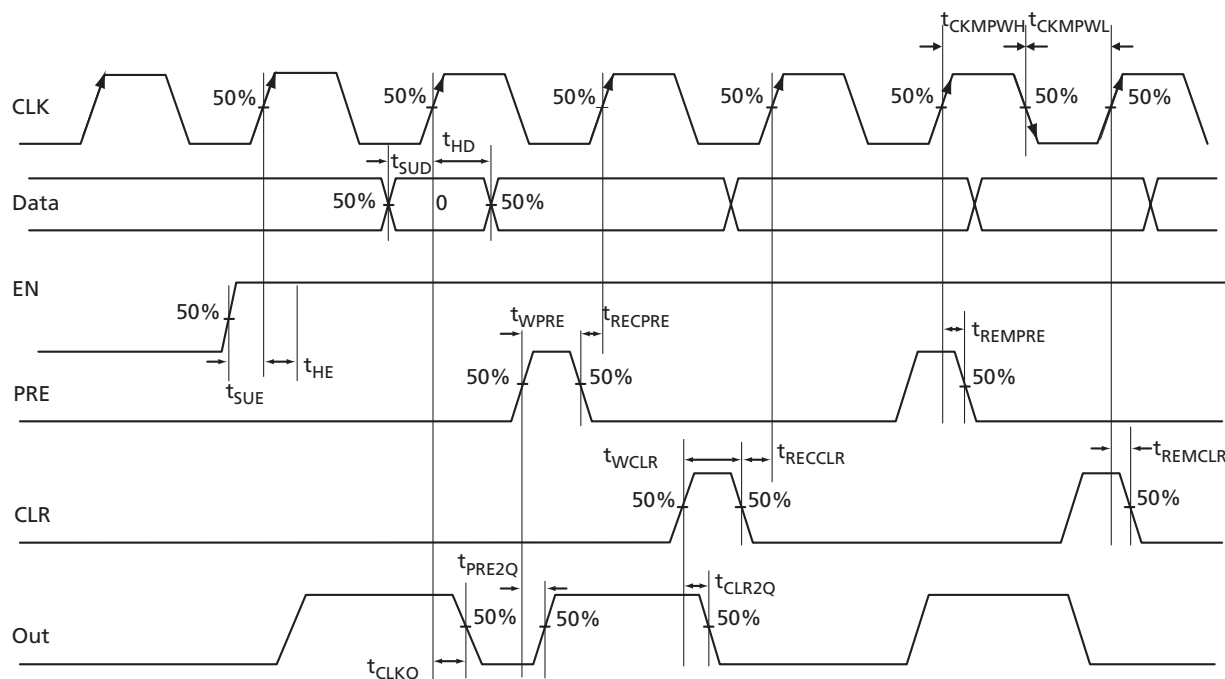


Figure 2-27 • Sample of Sequential Cells


Figure 2-28 • Timing Model and Waveforms

Timing Characteristics

1.5 V DC Core Voltage

Table 2-151 • Register Delays

Commercial-Case Conditions: $T_j = 70^\circ\text{C}$, Worst-Case $V_{CC} = 1.425\text{ V}$

Parameter	Description	Std.	Units
t_{CLKQ}	Clock-to-Q of the Core Register	0.89	ns
t_{SUD}	Data Setup Time for the Core Register	0.81	ns
t_{HD}	Data Hold Time for the Core Register	0.00	ns
t_{SUE}	Enable Setup Time for the Core Register	0.73	ns
t_{HE}	Enable Hold Time for the Core Register	0.00	ns
t_{CLR2Q}	Asynchronous Clear-to-Q of the Core Register	0.60	ns
t_{PRE2Q}	Asynchronous Preset-to-Q of the Core Register	0.62	ns
t_{REMCLR}	Asynchronous Clear Removal Time for the Core Register	0.00	ns
t_{RECCLR}	Asynchronous Clear Recovery Time for the Core Register	0.24	ns
t_{REMPRE}	Asynchronous Preset Removal Time for the Core Register	0.00	ns
t_{RECPRE}	Asynchronous Preset Recovery Time for the Core Register	0.23	ns
t_{WCLR}	Asynchronous Clear Minimum Pulse Width for the Core Register	0.30	ns
t_{WPRE}	Asynchronous Preset Minimum Pulse Width for the Core Register	0.30	ns
t_{CKMPWH}	Clock Minimum Pulse Width HIGH for the Core Register	0.56	ns
t_{CKMPWL}	Clock Minimum Pulse Width LOW for the Core Register	0.56	ns

Note: For specific junction temperature and voltage supply levels, refer to [Table 2-6 on page 2-6](#) for derating values.

1.2 V DC Core Voltage

Table 2-152 • Register Delays

 Commercial-Case Conditions: $T_J = 70^\circ\text{C}$, Worst-Case $V_{CC} = 1.14\text{ V}$

Parameter	Description	Std.	Units
t_{CLKQ}	Clock-to-Q of the Core Register	1.61	ns
t_{SUD}	Data Setup Time for the Core Register	1.17	ns
t_{HD}	Data Hold Time for the Core Register	0.00	ns
t_{SUE}	Enable Setup Time for the Core Register	1.29	ns
t_{HE}	Enable Hold Time for the Core Register	0.00	ns
t_{CLR2Q}	Asynchronous Clear-to-Q of the Core Register	0.87	ns
t_{PRE2Q}	Asynchronous Preset-to-Q of the Core Register	0.89	ns
t_{REMCLR}	Asynchronous Clear Removal Time for the Core Register	0.00	ns
t_{RECLR}	Asynchronous Clear Recovery Time for the Core Register	0.24	ns
t_{REMPRE}	Asynchronous Preset Removal Time for the Core Register	0.00	ns
t_{RECPRE}	Asynchronous Preset Recovery Time for the Core Register	0.24	ns
t_{WCLR}	Asynchronous Clear Minimum Pulse Width for the Core Register	0.46	ns
t_{WPRE}	Asynchronous Preset Minimum Pulse Width for the Core Register	0.46	ns
t_{CKMPWH}	Clock Minimum Pulse Width HIGH for the Core Register	0.95	ns
t_{CKMPWL}	Clock Minimum Pulse Width LOW for the Core Register	0.95	ns

Note: For specific junction temperature and voltage supply levels, refer to [Table 2-7 on page 2-7](#) for derating values.

Global Resource Characteristics

AGL250 Clock Tree Topology

Clock delays are device-specific. Figure 2-29 is an example of a global tree used for clock routing. The global tree presented in Figure 2-29 is driven by a CCC located on the west side of the AGL250 device. It is used to drive all D-flip-flops in the device.

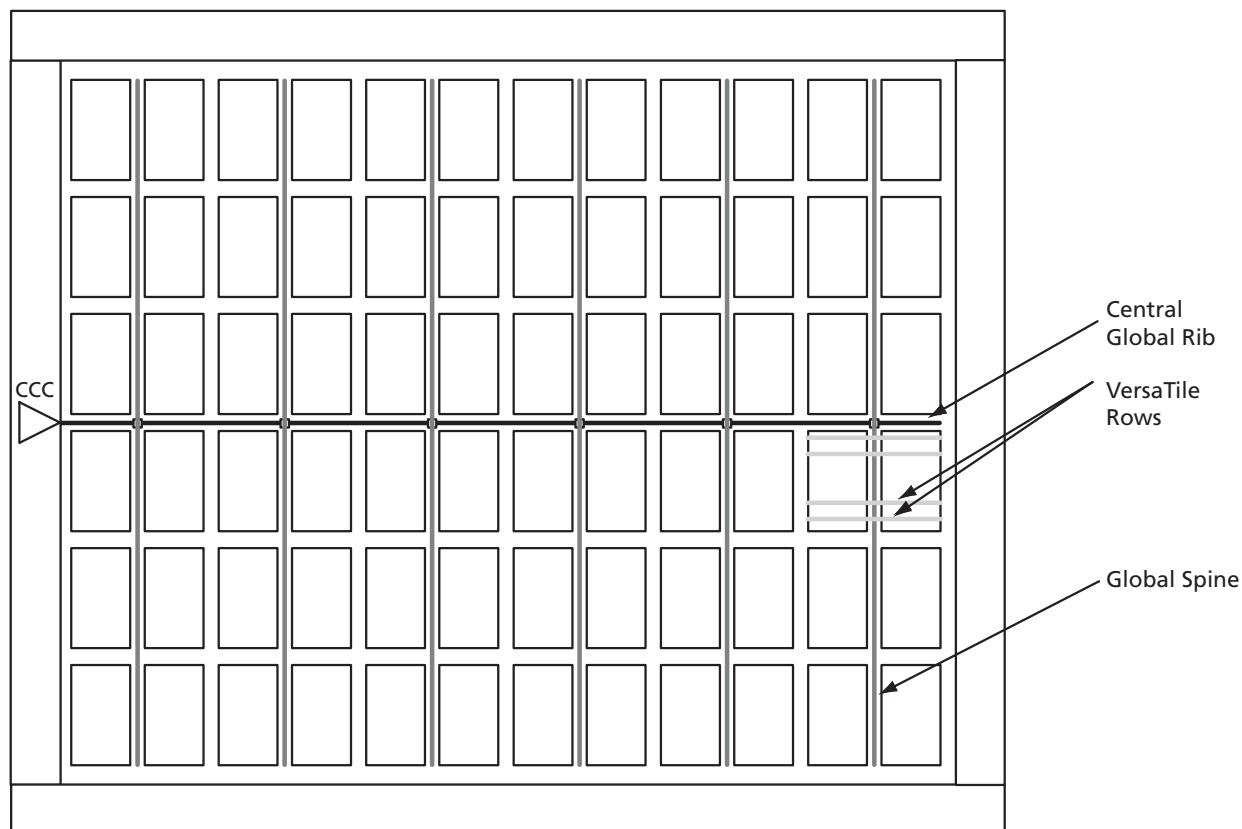


Figure 2-29 • Example of Global Tree Use in an AGL250 Device for Clock Routing

Global Tree Timing Characteristics

Global clock delays include the central rib delay, the spine delay, and the row delay. Delays do not include I/O input buffer clock delays, as these are I/O standard-dependent, and the clock may be driven and conditioned internally by the CCC module. For more details on clock conditioning capabilities, refer to the "Clock Conditioning Circuits" section on page 2-98. Table 2-153 to Table 2-168 on page 2-97 present minimum and maximum global clock delays within each device. Minimum and maximum delays are measured with minimum and maximum loading.

Timing Characteristics

1.5 V DC Core Voltage

Table 2-153 • AGL015 Global Resource
Commercial-Case Conditions: $T_J = 70^\circ\text{C}$, $V_{CC} = 1.425\text{ V}$

Parameter	Description	Std.		Units
		Min. ¹	Max. ²	
t_{RCKL}	Input LOW Delay for Global Clock	1.21	1.42	ns
t_{RCKH}	Input HIGH Delay for Global Clock	1.23	1.49	ns
$t_{RCKMPWH}$	Minimum Pulse Width HIGH for Global Clock			ns
$t_{RCKMPWL}$	Minimum Pulse Width LOW for Global Clock			ns
t_{RCKSW}	Maximum Skew for Global Clock		0.27	ns
F_{RMAX}	Maximum Frequency for Global Clock			MHz

Notes:

1. Value reflects minimum load. The delay is measured from the CCC output to the clock pin of a sequential element, located in a lightly loaded row (single element is connected to the global net).
2. Value reflects maximum load. The delay is measured on the clock pin of the farthest sequential element, located in a fully loaded row (all available flip-flops are connected to the global net in the row).
3. For specific junction temperature and voltage supply levels, refer to Table 2-6 on page 2-6 for derating values.

Table 2-154 • AGL030 Global Resource
Commercial-Case Conditions: $T_J = 70^\circ\text{C}$, $V_{CC} = 1.425\text{ V}$

Parameter	Description	Std.		Units
		Min. ¹	Max. ²	
t_{RCKL}	Input LOW Delay for Global Clock	1.21	1.42	ns
t_{RCKH}	Input HIGH Delay for Global Clock	1.23	1.49	ns
$t_{RCKMPWH}$	Minimum Pulse Width HIGH for Global Clock			ns
$t_{RCKMPWL}$	Minimum Pulse Width LOW for Global Clock			ns
t_{RCKSW}	Maximum Skew for Global Clock		0.27	ns
F_{RMAX}	Maximum Frequency for Global Clock			MHz

Notes:

1. Value reflects minimum load. The delay is measured from the CCC output to the clock pin of a sequential element, located in a lightly loaded row (single element is connected to the global net).
2. Value reflects maximum load. The delay is measured on the clock pin of the farthest sequential element, located in a fully loaded row (all available flip-flops are connected to the global net in the row).
3. For specific junction temperature and voltage supply levels, refer to Table 2-6 on page 2-6 for derating values.

Table 2-155 • AGL060 Global ResourceCommercial-Case Conditions: $T_J = 70^\circ\text{C}$, $V_{CC} = 1.425\text{ V}$

Parameter	Description	Std.		Units
		Min. ¹	Max. ²	
t_{RCKL}	Input LOW Delay for Global Clock	1.33	1.55	ns
t_{RCKH}	Input HIGH Delay for Global Clock	1.35	1.62	ns
$t_{RCKMPWH}$	Minimum Pulse Width HIGH for Global Clock			ns
$t_{RCKMPWL}$	Minimum Pulse Width LOW for Global Clock			ns
t_{RCKSW}	Maximum Skew for Global Clock		0.27	ns
F_{RMAX}	Maximum Frequency for Global Clock			MHz

Notes:

1. Value reflects minimum load. The delay is measured from the CCC output to the clock pin of a sequential element, located in a lightly loaded row (single element is connected to the global net).
2. Value reflects maximum load. The delay is measured on the clock pin of the farthest sequential element, located in a fully loaded row (all available flip-flops are connected to the global net in the row).
3. For specific junction temperature and voltage supply levels, refer to [Table 2-6 on page 2-6](#) for derating values.

Table 2-156 • AGL125 Global ResourceCommercial-Case Conditions: $T_J = 70^\circ\text{C}$, $V_{CC} = 1.425\text{ V}$

Parameter	Description	Std.		Units
		Min. ¹	Max. ²	
t_{RCKL}	Input LOW Delay for Global Clock	1.36	1.71	ns
t_{RCKH}	Input HIGH Delay for Global Clock	1.39	1.82	ns
$t_{RCKMPWH}$	Minimum Pulse Width HIGH for Global Clock			ns
$t_{RCKMPWL}$	Minimum Pulse Width LOW for Global Clock			ns
t_{RCKSW}	Maximum Skew for Global Clock		0.43	ns
F_{RMAX}	Maximum Frequency for Global Clock			MHz

Notes:

1. Value reflects minimum load. The delay is measured from the CCC output to the clock pin of a sequential element, located in a lightly loaded row (single element is connected to the global net).
2. Value reflects maximum load. The delay is measured on the clock pin of the farthest sequential element, located in a fully loaded row (all available flip-flops are connected to the global net in the row).
3. For specific junction temperature and voltage supply levels, refer to [Table 2-6 on page 2-6](#) for derating values.

Table 2-157 • AGL250 Global Resource
 Commercial-Case Conditions: $T_J = 70^\circ\text{C}$, $V_{CC} = 1.425\text{ V}$

Parameter	Description	Std.		Units
		Min. ¹	Max. ²	
t_{RCKL}	Input LOW Delay for Global Clock	1.39	1.73	ns
t_{RCKH}	Input HIGH Delay for Global Clock	1.41	1.84	ns
$t_{RCKMPWH}$	Minimum Pulse Width HIGH for Global Clock			ns
$t_{RCKMPWL}$	Minimum Pulse Width LOW for Global Clock			ns
t_{RCKSW}	Maximum Skew for Global Clock		0.43	ns
F_{RMAX}	Maximum Frequency for Global Clock			MHz

Notes:

1. Value reflects minimum load. The delay is measured from the CCC output to the clock pin of a sequential element, located in a lightly loaded row (single element is connected to the global net).
2. Value reflects maximum load. The delay is measured on the clock pin of the farthest sequential element, located in a fully loaded row (all available flip-flops are connected to the global net in the row).
3. For specific junction temperature and voltage supply levels, refer to [Table 2-6 on page 2-6](#) for derating values.

Table 2-158 • AGL400 Global Resource
 Commercial-Case Conditions: $T_J = 70^\circ\text{C}$, $V_{CC} = 1.425\text{ V}$

Parameter	Description	Std.		Units
		Min. ¹	Max. ²	
t_{RCKL}	Input Low Delay for Global Clock	1.45	1.79	ns
t_{RCKH}	Input High Delay for Global Clock	1.48	1.91	ns
$t_{RCKMPWH}$	Minimum Pulse Width High for Global Clock			ns
$t_{RCKMPWL}$	Minimum Pulse Width Low for Global Clock			ns
t_{RCKSW}	Maximum Skew for Global Clock		0.43	ns
F_{RMAX}	Maximum Frequency for Global Clock			MHz

Notes:

1. Value reflects minimum load. The delay is measured from the CCC output to the clock pin of a sequential element, located in a lightly loaded row (single element is connected to the global net).
2. Value reflects maximum load. The delay is measured on the clock pin of the farthest sequential element, located in a fully loaded row (all available flip-flops are connected to the global net in the row).
3. For specific junction temperature and voltage-supply levels, refer to [Table 2-6 on page 2-6](#) for derating values.

Table 2-159 • AGL600 Global ResourceCommercial-Case Conditions: $T_J = 70^\circ\text{C}$, $V_{CC} = 1.425\text{ V}$

Parameter	Description	Std.		Units
		Min. ¹	Max. ²	
t_{RCKL}	Input LOW Delay for Global Clock	1.48	1.82	ns
t_{RCKH}	Input HIGH Delay for Global Clock	1.52	1.94	ns
$t_{RCKMPWH}$	Minimum Pulse Width HIGH for Global Clock			ns
$t_{RCKMPWL}$	Minimum Pulse Width LOW for Global Clock			ns
t_{RCKSW}	Maximum Skew for Global Clock		0.42	ns
F_{RMAX}	Maximum Frequency for Global Clock			MHz

Notes:

1. Value reflects minimum load. The delay is measured from the CCC output to the clock pin of a sequential element, located in a lightly loaded row (single element is connected to the global net).
2. Value reflects maximum load. The delay is measured on the clock pin of the farthest sequential element, located in a fully loaded row (all available flip-flops are connected to the global net in the row).
3. For specific junction temperature and voltage supply levels, refer to [Table 2-6 on page 2-6](#) for derating values.

Table 2-160 • AGL1000 Global ResourceCommercial-Case Conditions: $T_J = 70^\circ\text{C}$, $V_{CC} = 1.425\text{ V}$

Parameter	Description	Std.		Units
		Min. ¹	Max. ²	
t_{RCKL}	Input LOW Delay for Global Clock	1.55	1.89	ns
t_{RCKH}	Input HIGH Delay for Global Clock	1.60	2.02	ns
$t_{RCKMPWH}$	Minimum Pulse Width HIGH for Global Clock			ns
$t_{RCKMPWL}$	Minimum Pulse Width LOW for Global Clock			ns
t_{RCKSW}	Maximum Skew for Global Clock		0.42	ns
F_{RMAX}	Maximum Frequency for Global Clock			MHz

Notes:

1. Value reflects minimum load. The delay is measured from the CCC output to the clock pin of a sequential element, located in a lightly loaded row (single element is connected to the global net).
2. Value reflects maximum load. The delay is measured on the clock pin of the farthest sequential element, located in a fully loaded row (all available flip-flops are connected to the global net in the row).
3. For specific junction temperature and voltage supply levels, refer to [Table 2-6 on page 2-6](#) for derating values.

1.2 V DC Core Voltage
Table 2-161 • AGL015 Global Resource
 Commercial-Case Conditions: $T_J = 70^\circ\text{C}$, $V_{CC} = 1.14\text{ V}$

Parameter	Description	Std.		Units
		Min. ¹	Max. ²	
t_{RCKL}	Input LOW Delay for Global Clock	1.79	2.09	ns
t_{RCKH}	Input HIGH Delay for Global Clock	1.87	2.26	ns
$t_{RCKMPWH}$	Minimum Pulse Width HIGH for Global Clock			ns
$t_{RCKMPWL}$	Minimum Pulse Width LOW for Global Clock			ns
t_{RCKSW}	Maximum Skew for Global Clock		0.39	ns
F_{RMAX}	Maximum Frequency for Global Clock			MHz

Notes:

1. Value reflects minimum load. The delay is measured from the CCC output to the clock pin of a sequential element, located in a lightly loaded row (single element is connected to the global net).
2. Value reflects maximum load. The delay is measured on the clock pin of the farthest sequential element, located in a fully loaded row (all available flip-flops are connected to the global net in the row).
3. For specific junction temperature and voltage supply levels, refer to [Table 2-6 on page 2-6](#) for derating values.

Table 2-162 • AGL030 Global Resource
 Commercial-Case Conditions: $T_J = 70^\circ\text{C}$, $V_{CC} = 1.14\text{ V}$

Parameter	Description	Std.		Units
		Min. ¹	Max. ²	
t_{RCKL}	Input LOW Delay for Global Clock	1.80	2.09	ns
t_{RCKH}	Input HIGH Delay for Global Clock	1.88	2.27	ns
$t_{RCKMPWH}$	Minimum Pulse Width HIGH for Global Clock			ns
$t_{RCKMPWL}$	Minimum Pulse Width LOW for Global Clock			ns
t_{RCKSW}	Maximum Skew for Global Clock		0.39	ns
F_{RMAX}	Maximum Frequency for Global Clock			MHz

Notes:

1. Value reflects minimum load. The delay is measured from the CCC output to the clock pin of a sequential element, located in a lightly loaded row (single element is connected to the global net).
2. Value reflects maximum load. The delay is measured on the clock pin of the farthest sequential element, located in a fully loaded row (all available flip-flops are connected to the global net in the row).
3. For specific junction temperature and voltage supply levels, refer to [Table 2-6 on page 2-6](#) for derating values.

Table 2-163 • AGL060 Global Resource
Commercial-Case Conditions: $T_J = 70^\circ\text{C}$, $V_{CC} = 1.14\text{ V}$

Parameter	Description	Std.		Units
		Min. ¹	Max. ²	
t_{RCKL}	Input LOW Delay for Global Clock	2.04	2.33	ns
t_{RCKH}	Input HIGH Delay for Global Clock	2.10	2.51	ns
$t_{RCKMPWH}$	Minimum Pulse Width HIGH for Global Clock			ns
$t_{RCKMPWL}$	Minimum Pulse Width LOW for Global Clock			ns
t_{RCKSW}	Maximum Skew for Global Clock		0.40	ns
F_{RMAX}	Maximum Frequency for Global Clock			MHz

Notes:

1. Value reflects minimum load. The delay is measured from the CCC output to the clock pin of a sequential element, located in a lightly loaded row (single element is connected to the global net).
2. Value reflects maximum load. The delay is measured on the clock pin of the farthest sequential element, located in a fully loaded row (all available flip-flops are connected to the global net in the row).
3. For specific junction temperature and voltage supply levels, refer to [Table 2-6 on page 2-6](#) for derating values.

Table 2-164 • AGL125 Global Resource
Commercial-Case Conditions: $T_J = 70^\circ\text{C}$, $V_{CC} = 1.14\text{ V}$

Parameter	Description	Std.		Units
		Min. ¹	Max. ²	
t_{RCKL}	Input LOW Delay for Global Clock	2.08	2.54	ns
t_{RCKH}	Input HIGH Delay for Global Clock	2.15	2.77	ns
$t_{RCKMPWH}$	Minimum Pulse Width HIGH for Global Clock			ns
$t_{RCKMPWL}$	Minimum Pulse Width LOW for Global Clock			ns
t_{RCKSW}	Maximum Skew for Global Clock		0.62	ns
F_{RMAX}	Maximum Frequency for Global Clock			MHz

Notes:

1. Value reflects minimum load. The delay is measured from the CCC output to the clock pin of a sequential element, located in a lightly loaded row (single element is connected to the global net).
2. Value reflects maximum load. The delay is measured on the clock pin of the farthest sequential element, located in a fully loaded row (all available flip-flops are connected to the global net in the row).
3. For specific junction temperature and voltage supply levels, refer to [Table 2-6 on page 2-6](#) for derating values.

Table 2-165 • AGL250 Global Resource
 Commercial-Case Conditions: $T_J = 70^\circ\text{C}$, $V_{CC} = 1.14\text{ V}$

Parameter	Description	Std.		Units
		Min. ¹	Max. ²	
t_{RCKL}	Input LOW Delay for Global Clock	2.11	2.57	ns
t_{RCKH}	Input HIGH Delay for Global Clock	2.19	2.81	ns
$t_{RCKMPWH}$	Minimum Pulse Width HIGH for Global Clock			ns
$t_{RCKMPWL}$	Minimum Pulse Width LOW for Global Clock			ns
t_{RCKSW}	Maximum Skew for Global Clock		0.62	ns
F_{RMAX}	Maximum Frequency for Global Clock			MHz

Notes:

1. Value reflects minimum load. The delay is measured from the CCC output to the clock pin of a sequential element, located in a lightly loaded row (single element is connected to the global net).
2. Value reflects maximum load. The delay is measured on the clock pin of the farthest sequential element, located in a fully loaded row (all available flip-flops are connected to the global net in the row).
3. For specific junction temperature and voltage supply levels, refer to [Table 2-6 on page 2-6](#) for derating values.

Table 2-166 • AGL400 Global Resource
 Commercial-Case Conditions: $T_J = 70^\circ\text{C}$, $V_{CC} = 1.14\text{ V}$

Parameter	Description	Std.		Units
		Min. ¹	Max. ²	
t_{RCKL}	Input LOW Delay for Global Clock	2.18	2.64	ns
t_{RCKH}	Input HIGH Delay for Global Clock	2.27	2.89	ns
$t_{RCKMPWH}$	Minimum Pulse Width HIGH for Global Clock			ns
$t_{RCKMPWL}$	Minimum Pulse Width LOW for Global Clock			ns
t_{RCKSW}	Maximum Skew for Global Clock		0.62	ns
F_{RMAX}	Maximum Frequency for Global Clock			MHz

Notes:

1. Value reflects minimum load. The delay is measured from the CCC output to the clock pin of a sequential element, located in a lightly loaded row (single element is connected to the global net).
2. Value reflects maximum load. The delay is measured on the clock pin of the farthest sequential element, located in a fully loaded row (all available flip-flops are connected to the global net in the row).
3. For specific junction temperature and voltage supply levels, refer to [Table 2-6 on page 2-6](#) for derating values.

Table 2-167 • AGL600 Global ResourceCommercial-Case Conditions: $T_J = 70^\circ\text{C}$, $V_{CC} = 1.14\text{ V}$

Parameter	Description	Std.		Units
		Min. ¹	Max. ²	
t_{RCKL}	Input LOW Delay for Global Clock	2.22	2.67	ns
t_{RCKH}	Input HIGH Delay for Global Clock	2.32	2.93	ns
$t_{RCKMPWH}$	Minimum Pulse Width HIGH for Global Clock			ns
$t_{RCKMPWL}$	Minimum Pulse Width LOW for Global Clock			ns
t_{RCKSW}	Maximum Skew for Global Clock		0.61	ns
F_{RMAX}	Maximum Frequency for Global Clock			MHz

Notes:

1. Value reflects minimum load. The delay is measured from the CCC output to the clock pin of a sequential element, located in a lightly loaded row (single element is connected to the global net).
2. Value reflects maximum load. The delay is measured on the clock pin of the farthest sequential element, located in a fully loaded row (all available flip-flops are connected to the global net in the row).
3. For specific junction temperature and voltage supply levels, refer to [Table 2-6 on page 2-6](#) for derating values.

Table 2-168 • AGL1000 Global ResourceCommercial-Case Conditions: $T_J = 70^\circ\text{C}$, $V_{CC} = 1.14\text{ V}$

Parameter	Description	Std.		Units
		Min. ¹	Max. ²	
t_{RCKL}	Input LOW Delay for Global Clock	2.31	2.76	ns
t_{RCKH}	Input HIGH Delay for Global Clock	2.42	3.03	ns
$t_{RCKMPWH}$	Minimum Pulse Width HIGH for Global Clock			ns
$t_{RCKMPWL}$	Minimum Pulse Width LOW for Global Clock			ns
t_{RCKSW}	Maximum Skew for Global Clock		0.61	ns
F_{RMAX}	Maximum Frequency for Global Clock			MHz

Notes:

1. Value reflects minimum load. The delay is measured from the CCC output to the clock pin of a sequential element, located in a lightly loaded row (single element is connected to the global net).
2. Value reflects maximum load. The delay is measured on the clock pin of the farthest sequential element, located in a fully loaded row (all available flip-flops are connected to the global net in the row).
3. For specific junction temperature and voltage supply levels, refer to [Table 2-6 on page 2-6](#) for derating values.

Clock Conditioning Circuits

CCC Electrical Specifications

Timing Characteristics

Table 2-169 • IGLOO CCC/PLL Specification
For IGLOO V2 or V5 Devices, 1.5 V DC Core Supply Voltage

Parameter	Min.	Typ.	Max.	Units
Clock Conditioning Circuitry Input Frequency f_{IN_CCC}	1.5		250	MHz
Clock Conditioning Circuitry Output Frequency f_{OUT_CCC}	0.75		250	MHz
Delay Increments in Programmable Delay Blocks ^{1, 2}		360		ps
Number of Programmable Values in Each Programmable Delay Block			32	
Serial Clock (SCLK) for Dynamic PLL ³			100	ns
Input Cycle-to-Cycle Jitter (peak magnitude)			1	ns
CCC Output Peak-to-Peak Period Jitter F_{CCC_OUT}	Maximum Peak-to-Peak Period Jitter			
	1 Global Network Used	External FB Used	3 Global Networks Used	
0.75 MHz to 24 MHz	0.50%	0.75%	0.70%	
24 MHz to 100 MHz	1.00%	1.50%	1.20%	
100 MHz to 250 MHz	2.50%	3.75%	2.75%	
Acquisition Time				
LockControl = 0			300	μs
LockControl = 1			6.0	ms
Tracking Jitter				
LockControl = 0			2.5	ns
LockControl = 1			1.5	ns
Output Duty Cycle	48.5		51.5	%
Delay Range in Block: Programmable Delay 1 ^{1, 2, 4}	1.25		15.65	ns
Delay Range in Block: Programmable Delay 2 ^{1, 2, 4}	0.025		15.65	ns
Delay Range in Block: Fixed Delay ^{1, 2, 4}		3.5		ns

Notes:

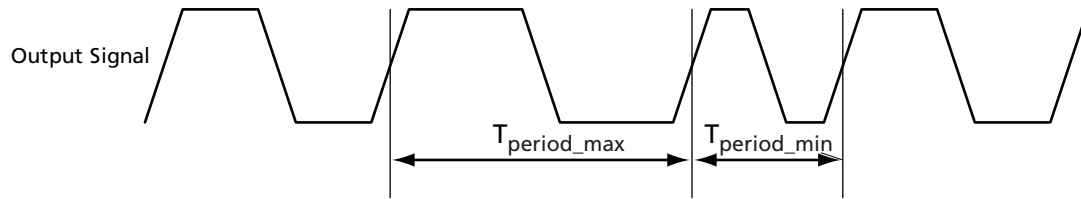
1. This delay is a function of voltage and temperature. See [Table 2-6 on page 2-6](#) and [Table 2-7 on page 2-7](#) for deratings.
2. $T_J = 25^\circ\text{C}$, $V_{CC} = 1.5\text{ V}$
3. Maximum value obtained for a Std. speed grade device in Worst-Case Commercial Conditions. For specific junction temperature and voltage supply levels, refer to [Table 2-6 on page 2-6](#) for derating values.
4. For the definitions of Type 1 and Type 2, refer to the PLL Block Diagram in the [Clock Conditioning Circuits in IGLOO and ProASIC3 Devices](#) chapter of the handbook.
5. The AGL030 device does not support PLL.
6. Tracking jitter is defined as the variation in clock edge position of PLL outputs with reference to the PLL input clock edge. Tracking jitter does not measure the variation in PLL output period, which is covered by the period jitter parameter.

Table 2-170 • IGLOO CCC/PLL Specification
For IGLOO V2 Devices, 1.2 V DC Core Supply Voltage

Parameter	Min.	Typ.	Max.	Units
Clock Conditioning Circuitry Input Frequency f_{IN_CCC}	1.5		160	MHz
Clock Conditioning Circuitry Output Frequency f_{OUT_CCC}	0.75		160	MHz
Delay Increments in Programmable Delay Blocks ^{1, 2}		580		ps
Number of Programmable Values in Each Programmable Delay Block			32	
Serial Clock (SCLK) for Dynamic PLL ³			60	ns
Input Cycle-to-Cycle Jitter (peak magnitude)			0.25	ns
CCC Output Peak-to-Peak Period Jitter F_{CCC_OUT}	Maximum Peak-to-Peak Period Jitter			
	1 Global Network Used	External FB Used	3 Global Networks Used	
0.75 MHz to 24 MHz	0.50%	0.75%	0.70%	
24 MHz to 100 MHz	1.00%	1.50%	1.20%	
100 MHz to 160 MHz	2.50%	3.75%	2.75%	
Acquisition Time				
	LockControl = 0		300	μs
	LockControl = 1		6.0	ms
Tracking Jitter				
	LockControl = 0		4	ns
	LockControl = 1		3	ns
Output Duty Cycle	48.5		51.5	%
Delay Range in Block: Programmable Delay 1 ^{1, 2, 4}	2.3		20.86	ns
Delay Range in Block: Programmable Delay 2 ^{1, 2, 4}	0.025		20.86	ns
Delay Range in Block: Fixed Delay ^{1, 2, 4}		5.7		ns

Notes:

1. This delay is a function of voltage and temperature. See [Table 2-6 on page 2-6](#) and [Table 2-7 on page 2-7](#) for deratings.
2. $T_J = 25^\circ\text{C}$, $V_{CC} = 1.5\text{ V}$
3. Maximum value obtained for a Std. speed grade device in Worst-Case Commercial Conditions. For specific junction temperature and voltage supply levels, refer to [Table 2-6 on page 2-6](#) for derating values.
4. For the definitions of Type 1 and Type 2, refer to the PLL Block Diagram in the [Clock Conditioning Circuits in IGLOO and ProASIC3 Devices](#) chapter of the handbook.
5. The AGL030 device does not support PLL.
6. Tracking jitter is defined as the variation in clock edge position of PLL outputs with reference to the PLL input clock edge. Tracking jitter does not measure the variation in PLL output period, which is covered by the period jitter parameter.



Note: Peak-to-peak jitter measurements are defined by $T_{\text{peak-to-peak}} = T_{\text{period_max}} - T_{\text{period_min}}$.

Figure 2-30 • Peak-to-Peak Jitter Definition

Embedded SRAM and FIFO Characteristics

SRAM

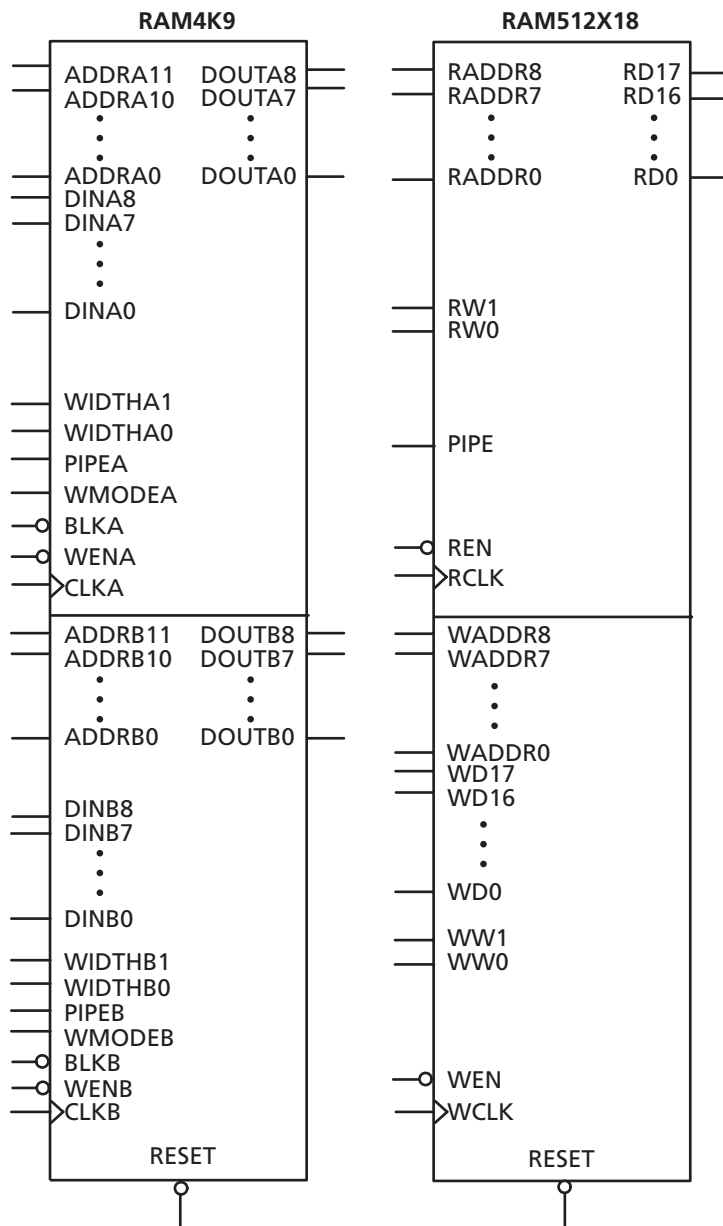


Figure 2-31 • RAM Models

Timing Waveforms

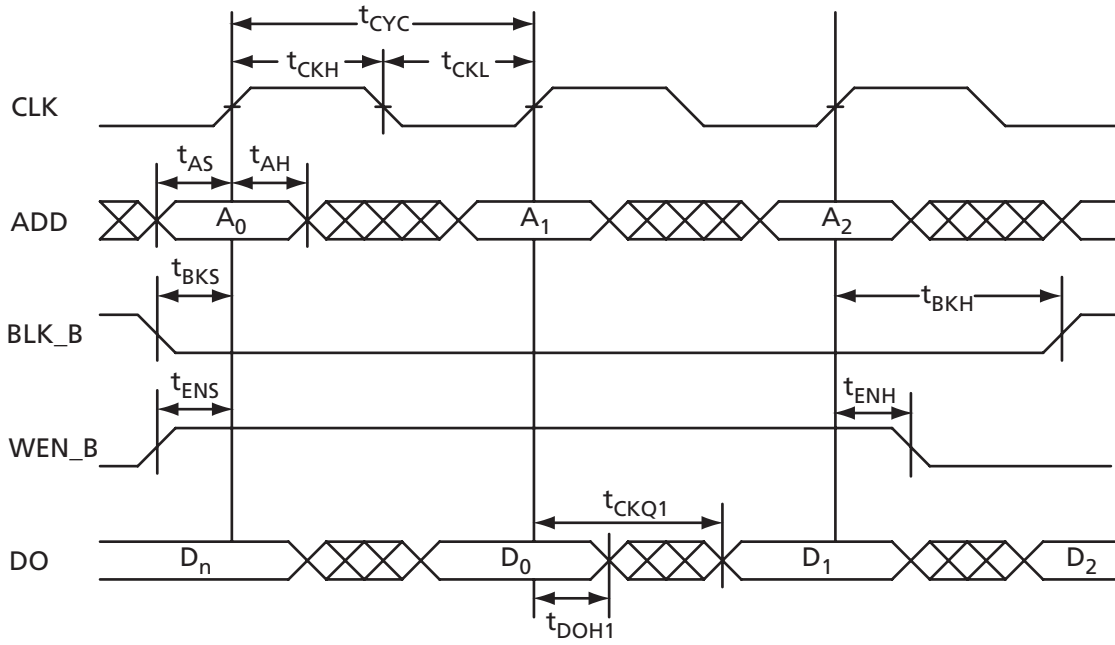


Figure 2-32 • RAM Read for Pass-Through Output

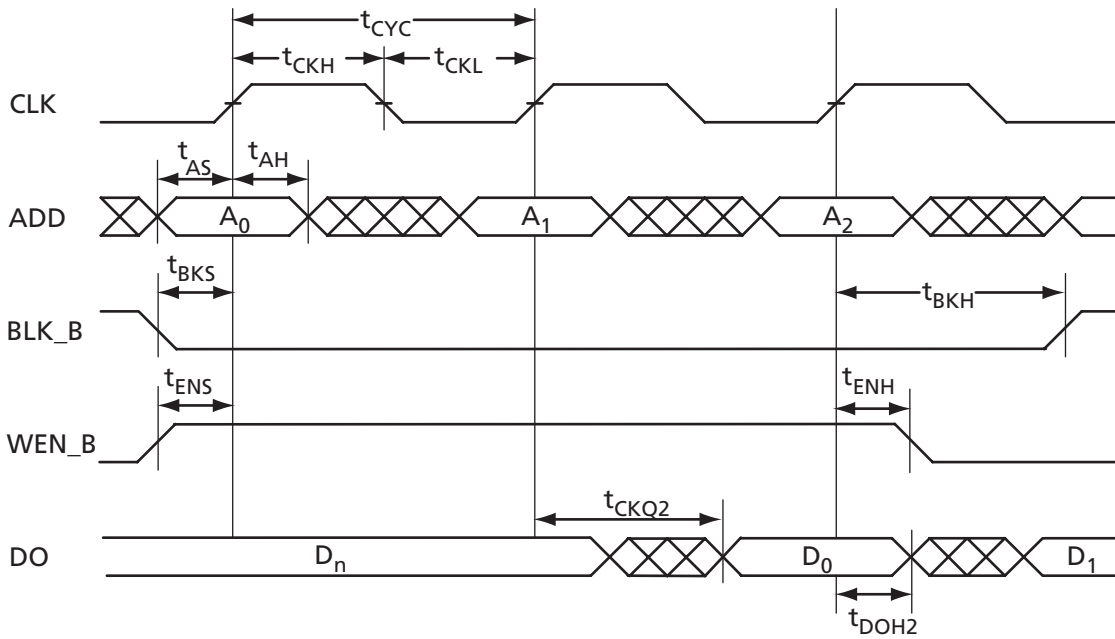


Figure 2-33 • RAM Read for Pipelined Output

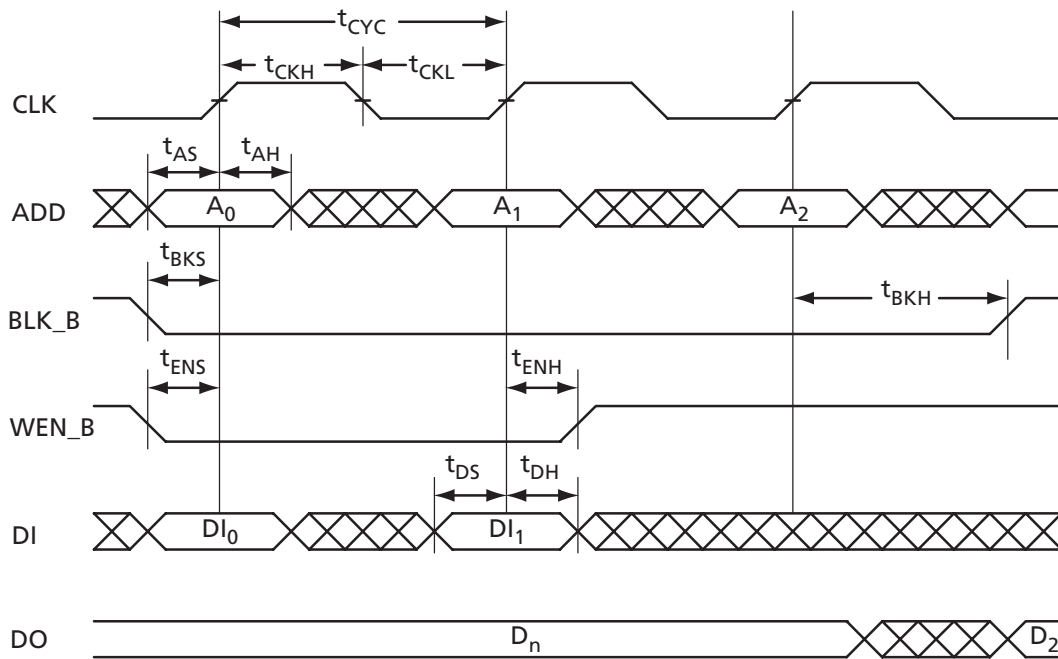


Figure 2-34 • RAM Write, Output Retained (WMODE = 0)

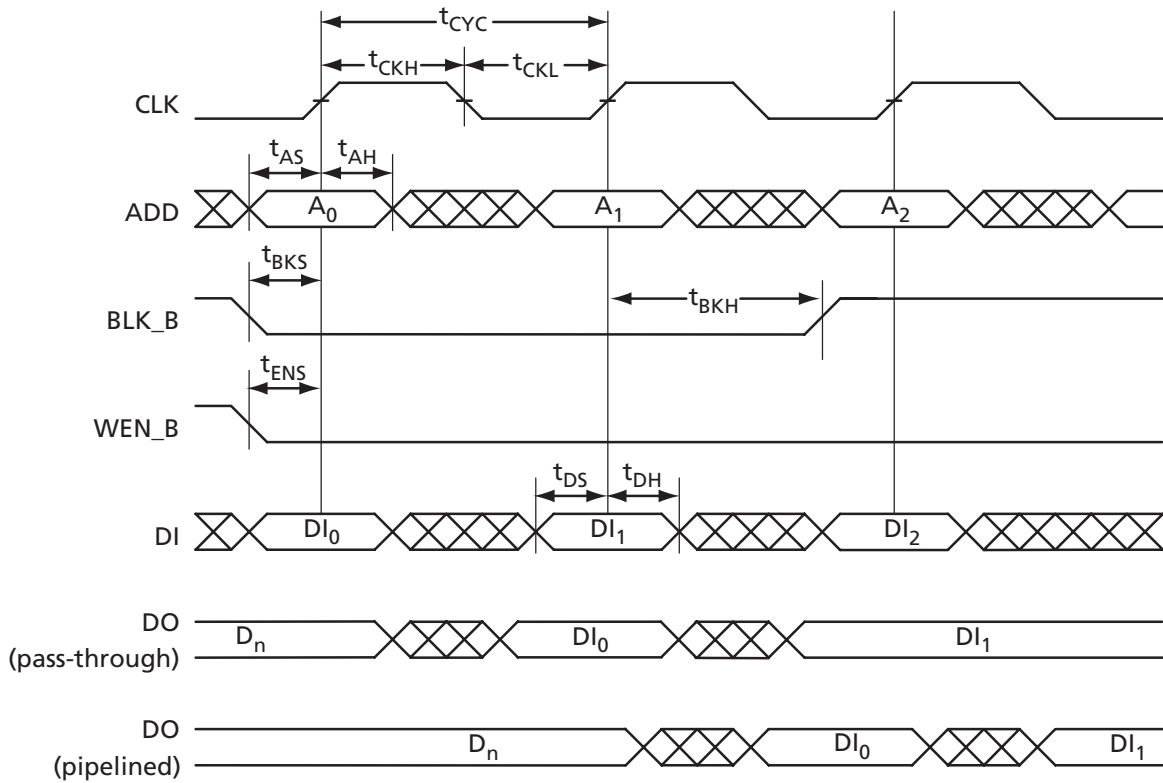


Figure 2-35 • RAM Write, Output as Write Data (WMODE = 1)

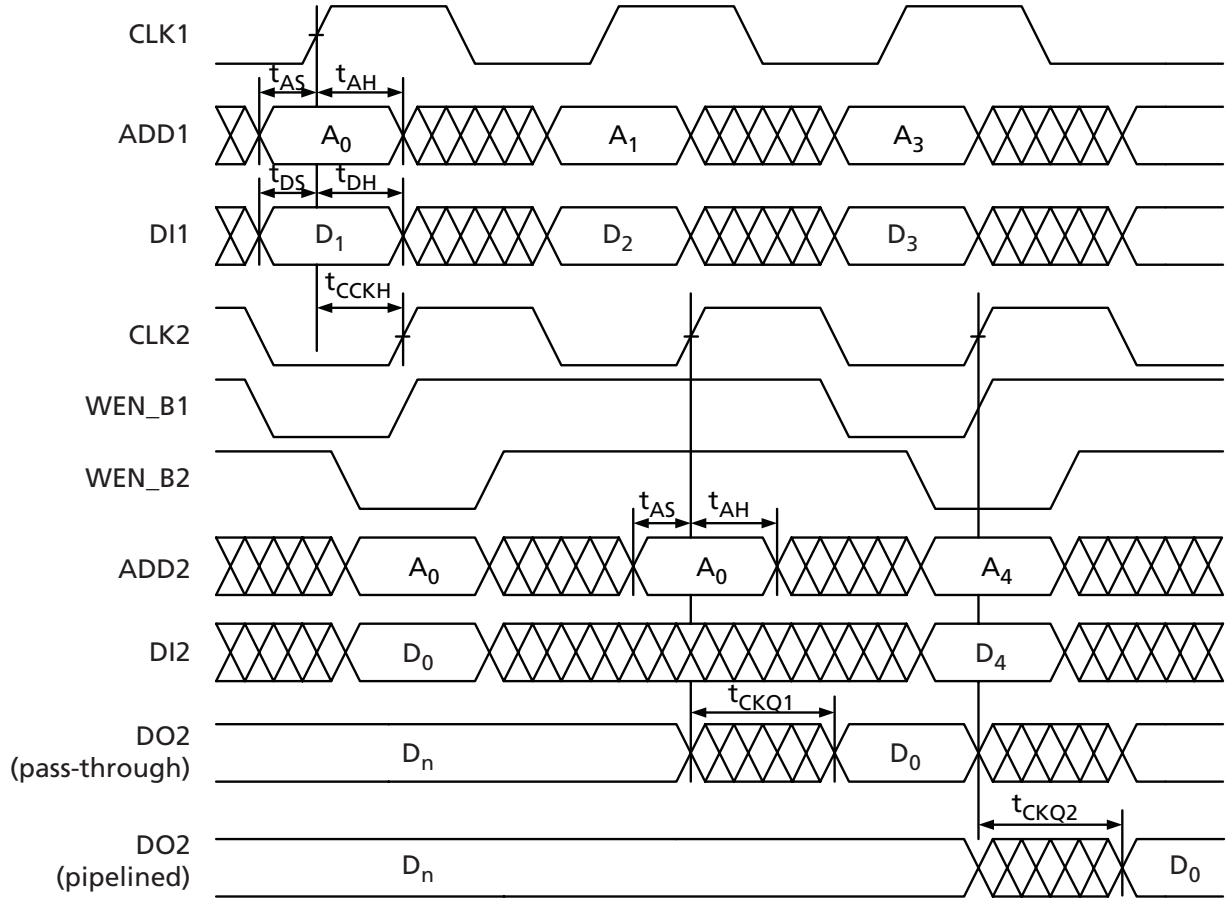


Figure 2-36 • Write Access after Write onto Same Address

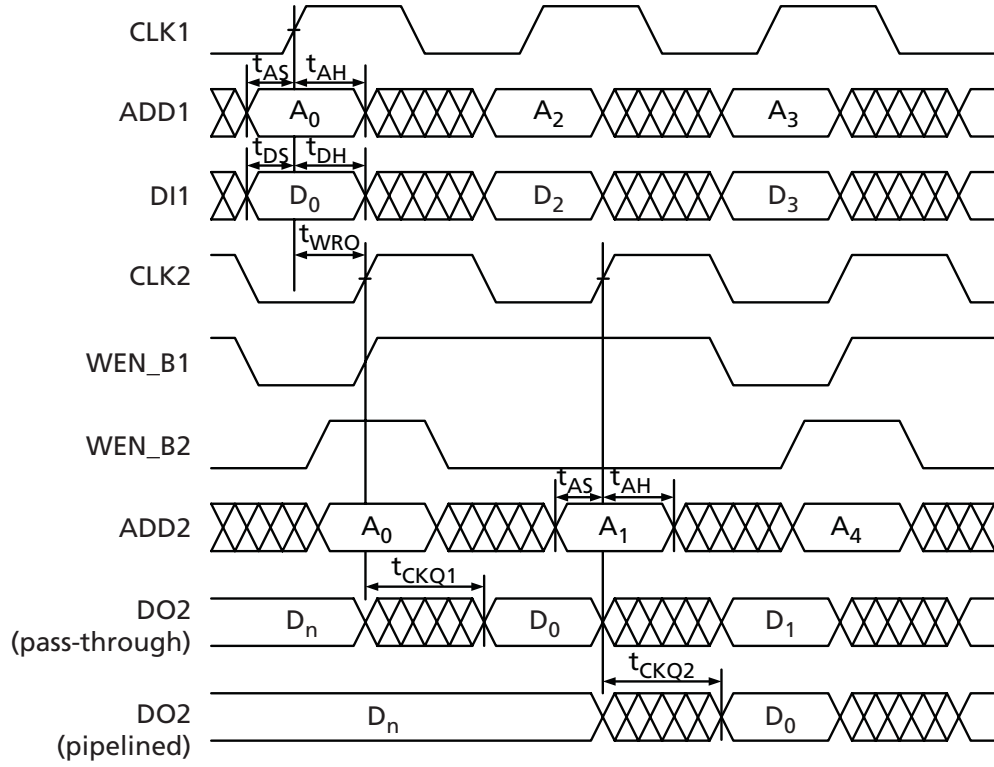


Figure 2-37 • Read Access after Write onto Same Address

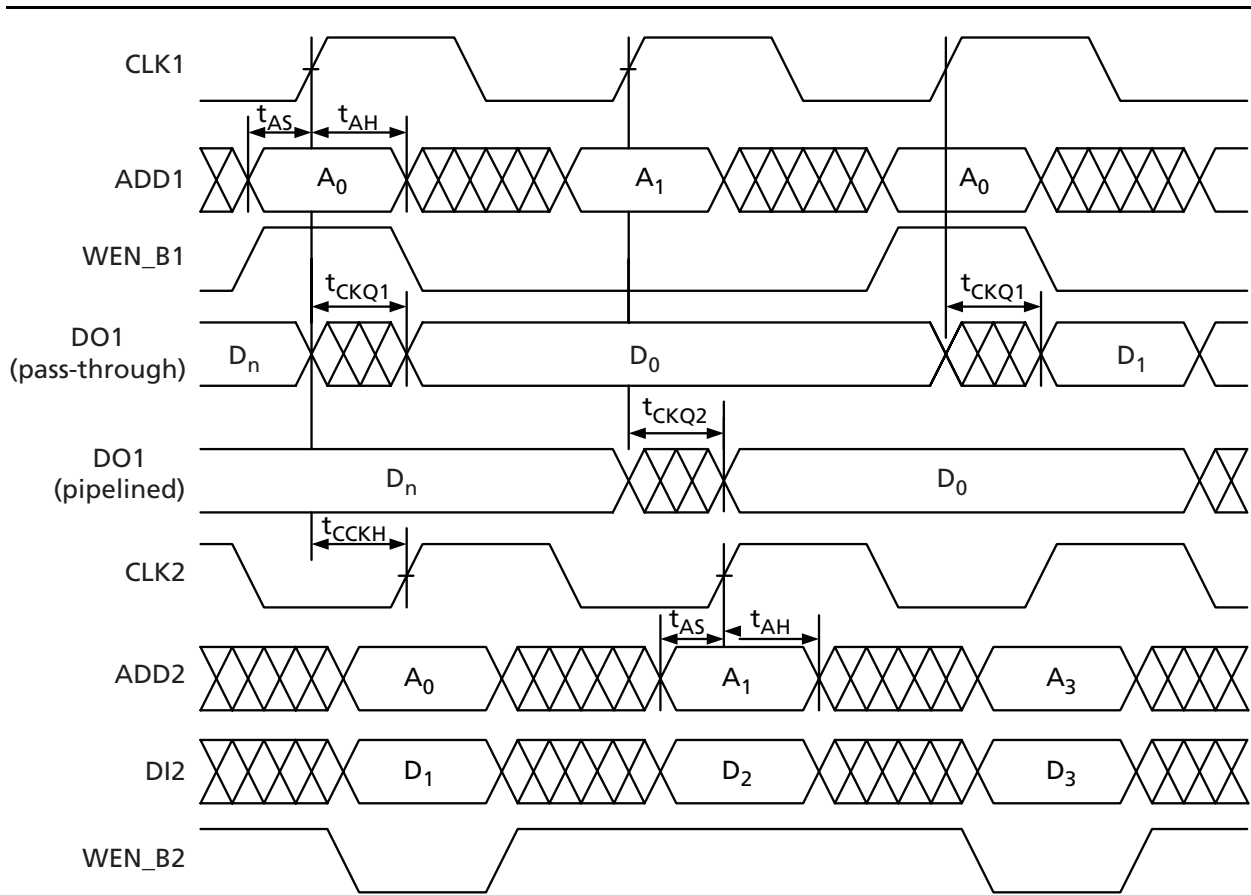


Figure 2-38 • Write Access after Read onto Same Address

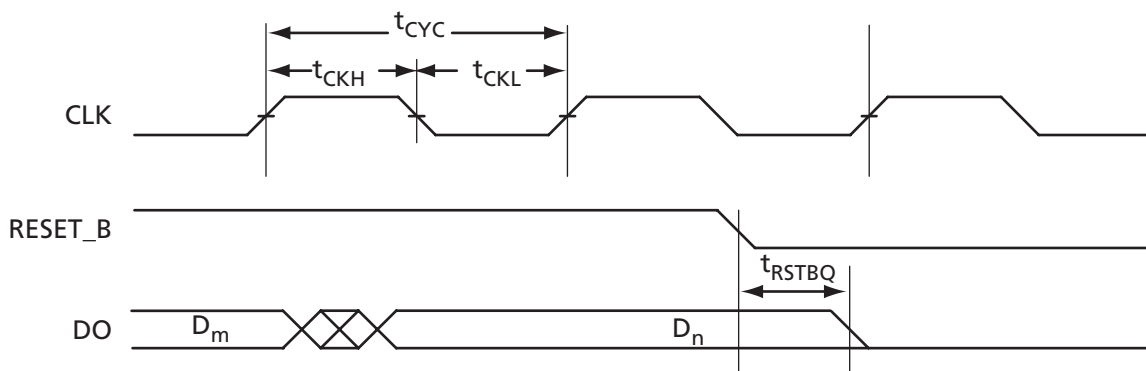


Figure 2-39 • RAM Reset

Timing Characteristics**1.5 V DC Core Voltage****Table 2-171 • RAM4K9**Commercial-Case Conditions: $T_J = 70^\circ\text{C}$, Worst-Case $V_{CC} = 1.425\text{ V}$

Parameter	Description	Std.	Units
t_{AS}	Address setup time	0.83	ns
t_{AH}	Address hold time	0.16	ns
t_{ENS}	REN_B, WEN_B setup time	0.81	ns
t_{ENH}	REN_B, WEN_B hold time	0.16	ns
t_{BKS}	BLK_B setup time	1.65	ns
t_{BKH}	BLK_B hold time	0.16	ns
t_{DS}	Input data (DI) setup time	0.71	ns
t_{DH}	Input data (DI) hold time	0.36	ns
t_{CKQ1}	Clock HIGH to new data valid on DO (output retained, WMODE = 0)	3.53	ns
	Clock HIGH to new data valid on DO (flow-through, WMODE = 1)	3.06	ns
t_{CKQ2}	Clock HIGH to new data valid on DO (pipelined)	1.81	ns
t_{WRO}	Address collision clk-to-clk delay for reliable read access after write on same address	TBD	ns
t_{CCKH}	Address collision clk-to-clk delay for reliable write access after write/read on same address	TBD	ns
t_{RSTBQ}	RESET_B LOW to data out LOW on DO (flow-through)	2.06	ns
	RESET_B LOW to data out LOW on DO (pipelined)	2.06	ns
$t_{REMRSTB}$	RESET_B removal	0.61	ns
$t_{RECRSTB}$	RESET_B recovery	3.21	ns
$t_{MPWRSTB}$	RESET_B minimum pulse width	0.68	ns
t_{CYC}	Clock cycle time	6.24	ns
f_{MAX}	Maximum frequency	160	MHz

Note: For specific junction temperature and voltage supply levels, refer to [Table 2-6 on page 2-6](#) for derating values.

Table 2-172 • RAM512X18
Commercial-Case Conditions: $T_J = 70^\circ\text{C}$, Worst-Case $V_{CC} = 1.425\text{ V}$

Parameter	Description	Std.	Units
t_{AS}	Address setup time	0.83	ns
t_{AH}	Address hold time	0.16	ns
t_{ENS}	REN_B, WEN_B setup time	0.73	ns
t_{ENH}	REN_B, WEN_B hold time	0.08	ns
t_{DS}	Input data (DI) setup time	0.71	ns
t_{DH}	Input data (DI) hold time	0.36	ns
t_{CKQ1}	Clock HIGH to new data valid on DO (output retained, WMODE = 0)	4.21	ns
t_{CKQ2}	Clock HIGH to new data valid on DO (pipelined)	1.71	ns
t_{WRO}	Address collision clk-to-clk delay for reliable read access after write on same address	TBD	ns
t_{CCKH}	Address collision clk-to-clk delay for reliable write access after write/read on same address	TBD	ns
t_{RSTBQ}	RESET_B LOW to data out LOW on DO (flow-through)	2.06	ns
	RESET_B LOW to data out LOW on DO (pipelined)	2.06	ns
$t_{REMRSTB}$	RESET_B removal	0.61	ns
$t_{RECRSTB}$	RESET_B recovery	3.21	ns
$t_{MPWRSTB}$	RESET_B minimum pulse width	0.68	ns
t_{CYC}	Clock cycle time	6.24	ns
F_{MAX}	Maximum frequency	160	MHz

Note: For specific junction temperature and voltage supply levels, refer to [Table 2-6 on page 2-6](#) for derating values.

1.2 V DC Core Voltage

Table 2-173 • RAM4K9

Commercial-Case Conditions: $T_J = 70^\circ\text{C}$, Worst-Case $V_{CC} = 1.14\text{ V}$

Parameter	Description	Std.	Units
t_{AS}	Address setup time	1.53	ns
t_{AH}	Address hold time	0.29	ns
t_{ENS}	REN_B, WEN_B setup time	1.50	ns
t_{ENH}	REN_B, WEN_B hold time	0.29	ns
t_{BKS}	BLK_B setup time	3.05	ns
t_{BKH}	BLK_B hold time	0.29	ns
t_{DS}	Input data (DI) setup time	1.33	ns
t_{DH}	Input data (DI) hold time	0.66	ns
t_{CKQ1}	Clock HIGH to new data valid on DO (output retained, WMODE = 0)	6.61	ns
	Clock HIGH to new data valid on DO (flow-through, WMODE = 1)	5.72	ns
t_{CKQ2}	Clock HIGH to new data valid on DO (pipelined)	3.38	ns
t_{WRO}	Address collision clk-to-clk delay for reliable read access after write on same address	TBD	ns
t_{CCKH}	Address collision clk-to-clk delay for reliable write access after write/read on same address	TBD	ns
t_{RSTBQ}	RESET_B LOW to data out LOW on DO (flow-through)	3.86	ns
	RESET_B LOW to data out LOW on DO (pipelined)	3.86	ns
$t_{REMRSTB}$	RESET_B removal	1.12	ns
$t_{RECRSTB}$	RESET_B recovery	5.93	ns
$t_{MPWRSTB}$	RESET_B minimum pulse width	1.18	ns
t_{CYC}	Clock cycle time	10.90	ns
F_{MAX}	Maximum frequency	92	MHz

Note: For specific junction temperature and voltage supply levels, refer to Table 2-7 on page 2-7 for derating values.

Table 2-174 • RAM512X18
Commercial-Case Conditions: $T_J = 70^\circ\text{C}$, Worst-Case $V_{CC} = 1.14\text{ V}$

Parameter	Description	Std.	Units
t_{AS}	Address setup time	1.53	ns
t_{AH}	Address hold time	0.29	ns
t_{ENS}	REN_B, WEN_B setup time	1.36	ns
t_{ENH}	REN_B, WEN_B hold time	0.15	ns
t_{DS}	Input data (DI) setup time	1.33	ns
t_{DH}	Input data (DI) hold time	0.66	ns
t_{CKQ1}	Clock HIGH to new data valid on DO (output retained, WMODE = 0)	7.88	ns
t_{CKQ2}	Clock HIGH to new data valid on DO (pipelined)	3.20	ns
t_{WRO}	Address collision clk-to-clk delay for reliable read access after write on same address	TBD	ns
t_{CCKH}	Address collision clk-to-clk delay for reliable write access after write/read on same address	TBD	ns
t_{RSTBQ}	RESET_B LOW to data out LOW on DO (flow through)	3.86	ns
	RESET_B LOW to data out LOW on DO (pipelined)	3.86	ns
$t_{REMRSTB}$	RESET_B removal	1.12	ns
$t_{RECRSTB}$	RESET_B recovery	5.93	ns
$t_{MPWRSTB}$	RESET_B minimum pulse width	1.18	ns
t_{CYC}	Clock cycle time	10.90	ns
F_{MAX}	Maximum frequency	92	MHz

Note: For specific junction temperature and voltage supply levels, refer to [Table 2-7 on page 2-7](#) for derating values.

FIFO

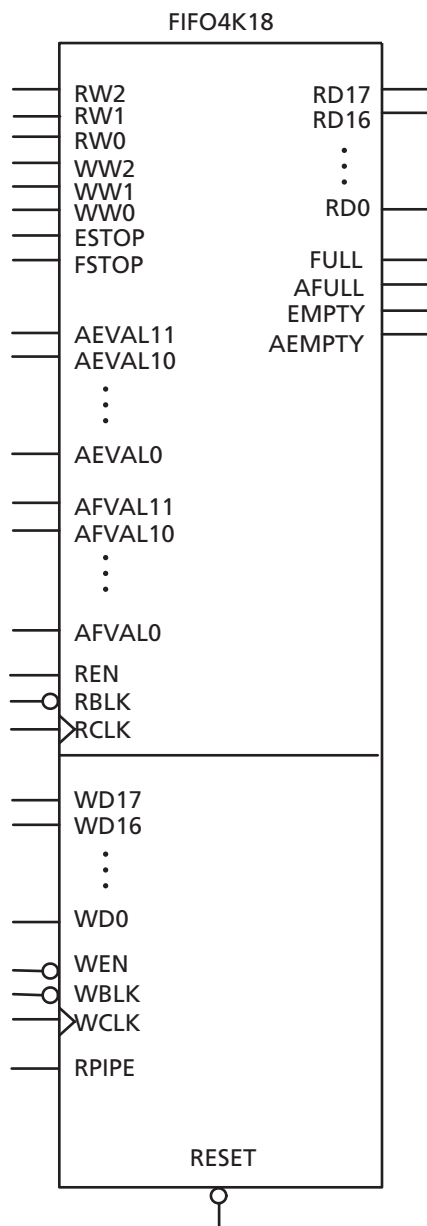


Figure 2-40 • FIFO Model

Timing Waveforms

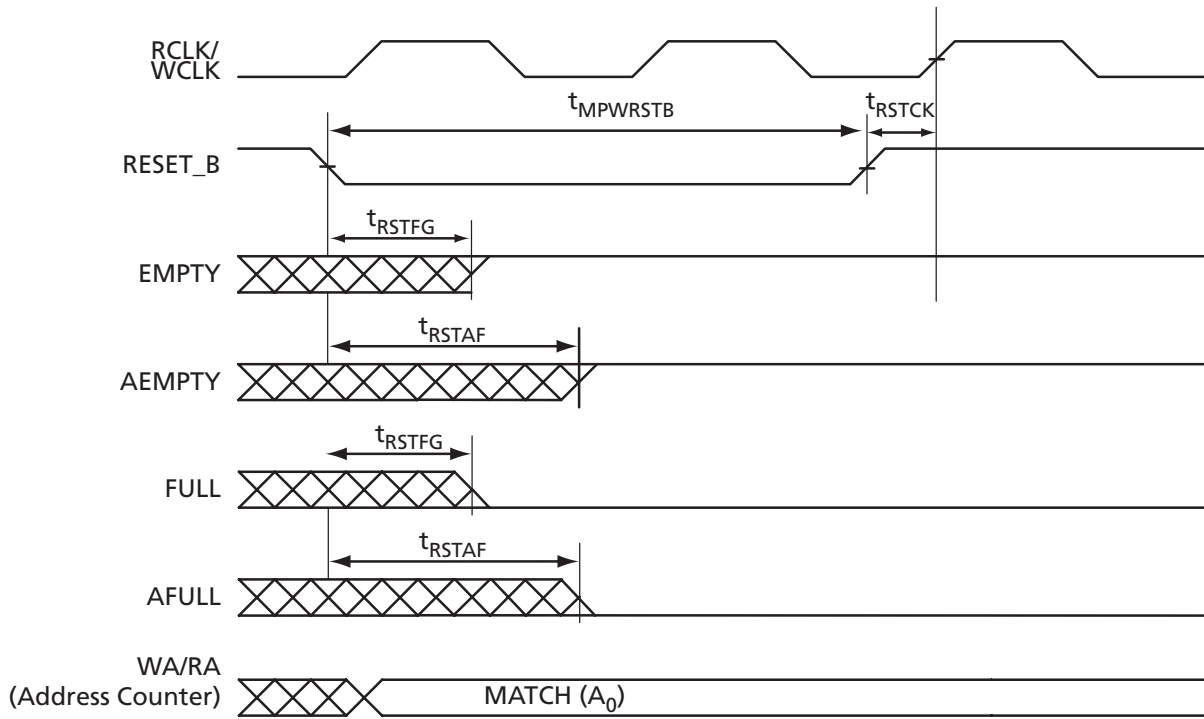


Figure 2-41 • FIFO Reset

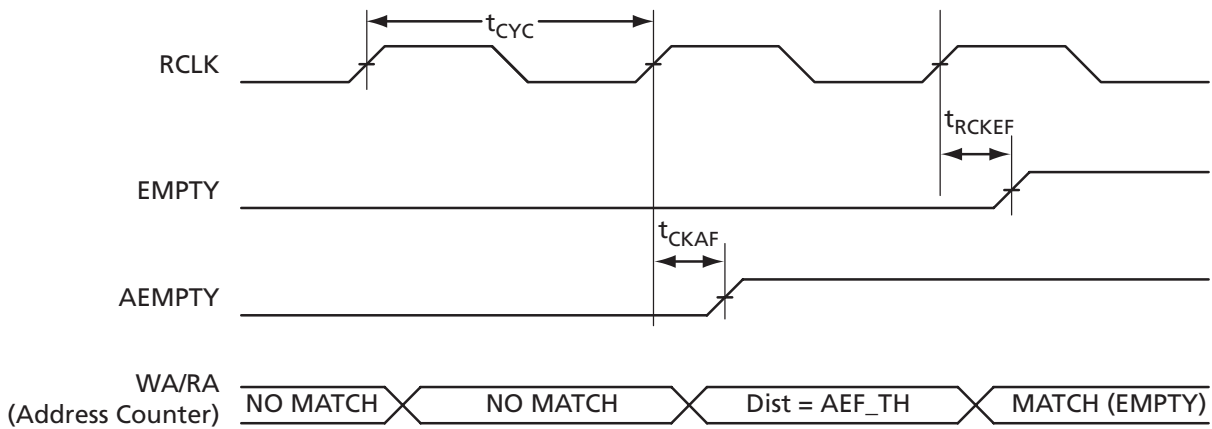


Figure 2-42 • FIFO EMPTY Flag and AEMPTY Flag Assertion

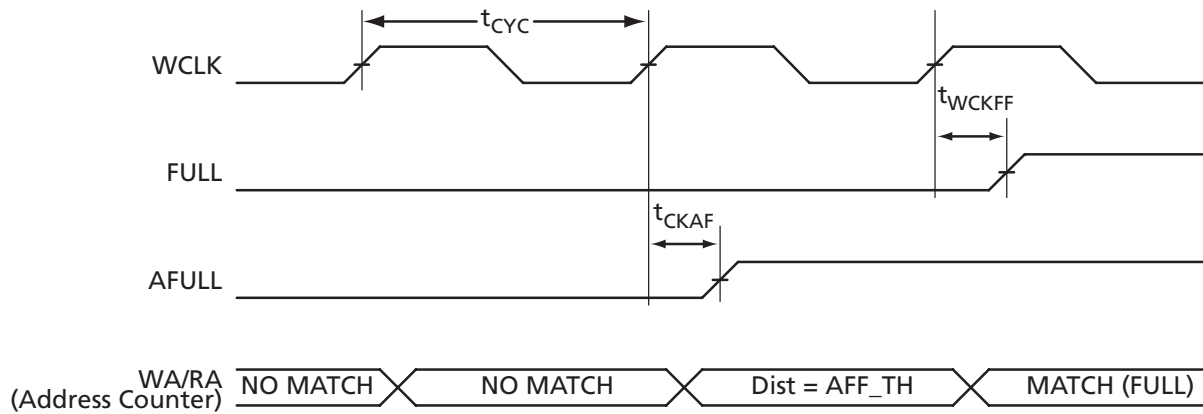


Figure 2-43 • FIFO FULL Flag and AFULL Flag Assertion

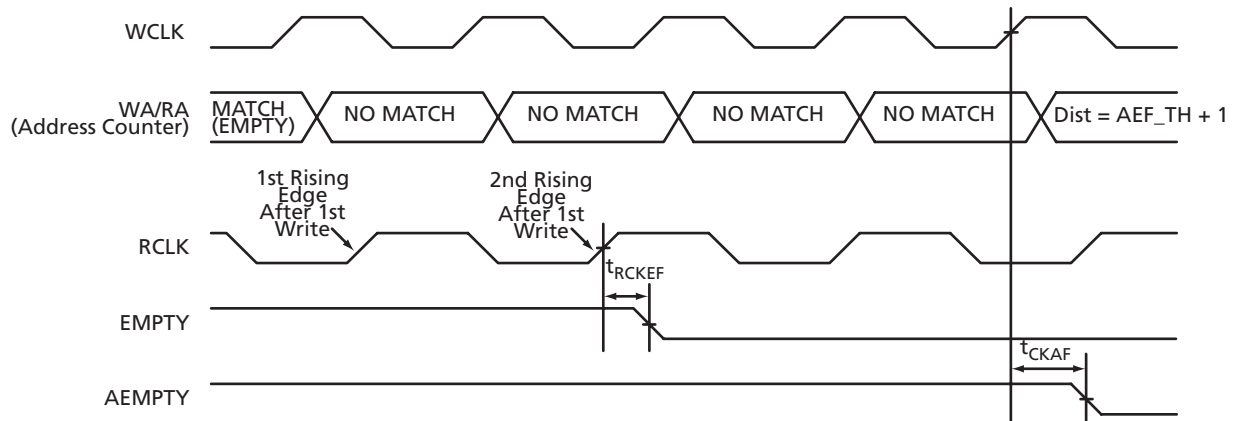


Figure 2-44 • FIFO EMPTY Flag and AEMPTY Flag Deassertion

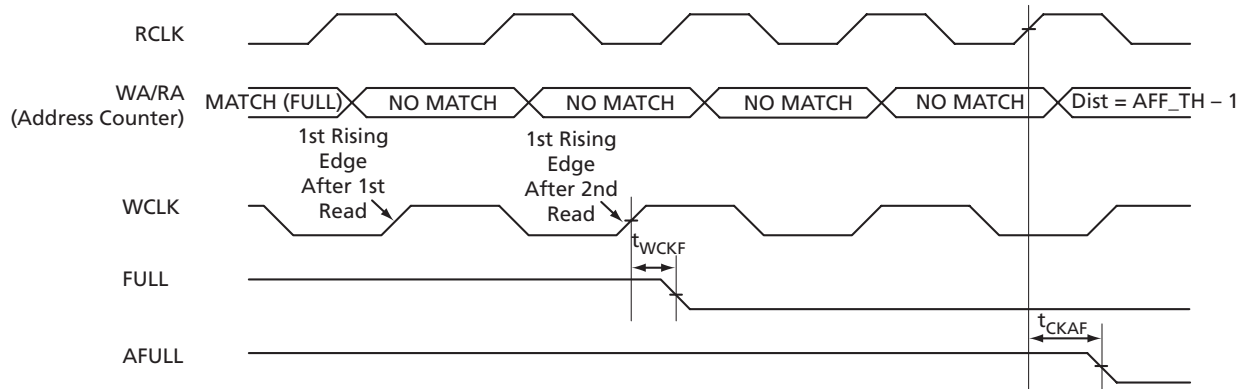


Figure 2-45 • FIFO FULL Flag and AFULL Flag Deassertion

Timing Characteristics**1.5 V DC Core Voltage****Table 2-175 • FIFO****Worst Commercial-Case Conditions: $T_J = 70^\circ\text{C}$, $V_{CC} = 1.425\text{ V}$**

Parameter	Description	Std.	Units
t_{ENS}	REN_B, WEN_B Setup Time	1.99	ns
t_{ENH}	REN_B, WEN_B Hold Time	0.16	ns
t_{BKS}	BLK_B Setup Time	0.30	ns
t_{BKH}	BLK_B Hold Time	0.00	ns
t_{DS}	Input Data (DI) Setup Time	0.76	ns
t_{DH}	Input Data (DI) Hold Time	0.25	ns
t_{CKQ1}	Clock HIGH to New Data Valid on DO (flow-through)	3.33	ns
t_{CKQ2}	Clock HIGH to New Data Valid on DO (pipelined)	1.80	ns
t_{RCKEF}	RCLK HIGH to Empty Flag Valid	3.53	ns
t_{WCKFF}	WCLK HIGH to Full Flag Valid	3.35	ns
t_{CKAF}	Clock HIGH to Almost Empty/Full Flag Valid	12.85	ns
t_{RSTFG}	RESET_B LOW to Empty/Full Flag Valid	3.48	ns
t_{RSTAF}	RESET_B LOW to Almost Empty/Full Flag Valid	12.72	ns
t_{RSTBQ}	RESET_B LOW to Data Out LOW on DO (flow-through)	2.02	ns
	RESET_B LOW to Data Out LOW on DO (pipelined)	2.02	ns
$t_{REMRSTB}$	RESET_B Removal	0.61	ns
$t_{RECRSTB}$	RESET_B Recovery	3.21	ns
$t_{MPWRSTB}$	RESET_B Minimum Pulse Width	0.68	ns
t_{CYC}	Clock Cycle Time	6.24	ns
F_{MAX}	Maximum Frequency for FIFO	160	MHz

Note: For specific junction temperature and voltage supply levels, refer to [Table 2-6 on page 2-6](#) for derating values.

1.2 V DC Core Voltage

Table 2-176 • FIFO

Worst Commercial-Case Conditions: $T_J = 70^\circ\text{C}$, $V_{CC} = 1.14\text{ V}$

Parameter	Description	Std.	Units
t_{ENS}	REN_B, WEN_B Setup Time	4.13	ns
t_{ENH}	REN_B, WEN_B Hold Time	0.31	ns
t_{BKS}	BLK_B Setup Time	0.47	ns
t_{BKH}	BLK_B Hold Time	0.00	ns
t_{DS}	Input Data (DI) Setup Time	1.56	ns
t_{DH}	Input Data (DI) Hold Time	0.49	ns
t_{CKQ1}	Clock HIGH to New Data Valid on DO (flow-through)	6.80	ns
t_{CKQ2}	Clock HIGH to New Data Valid on DO (pipelined)	3.62	ns
t_{RCKEF}	RCLK HIGH to Empty Flag Valid	7.23	ns
t_{WCKFF}	WCLK HIGH to Full Flag Valid	6.85	ns
t_{CKAF}	Clock HIGH to Almost Empty/Full Flag Valid	26.61	ns
t_{RSTFG}	RESET_B LOW to Empty/Full Flag Valid	7.12	ns
t_{RSTAF}	RESET_B LOW to Almost Empty/Full Flag Valid	26.33	ns
t_{RSTBQ}	RESET_B LOW to Data Out LOW on DO (flow-through)	4.09	ns
	RESET_B LOW to Data Out LOW on DO (pipelined)	4.09	ns
$t_{REMRSTB}$	RESET_B Removal	1.23	ns
$t_{RECRSTB}$	RESET_B Recovery	6.58	ns
$t_{MPWRSTB}$	RESET_B Minimum Pulse Width	1.18	ns
t_{CYC}	Clock Cycle Time	10.90	ns
F_{MAX}	Maximum Frequency for FIFO	92	MHz

Note: For specific junction temperature and voltage supply levels, refer to [Table 2-7 on page 2-7](#) for derating values.

Embedded FlashROM Characteristics

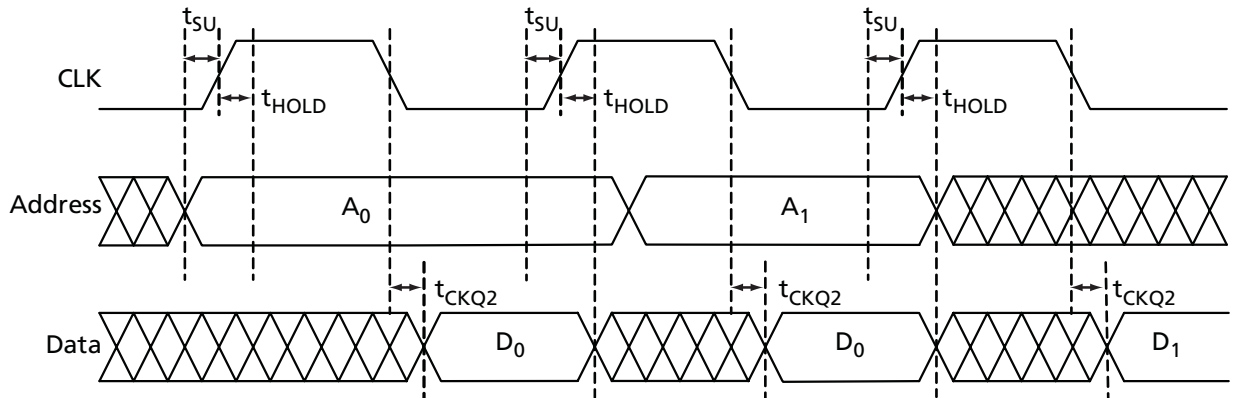


Figure 2-46 • Timing Diagram

Timing Characteristics

1.5 V DC Core Voltage

Table 2-177 • Embedded FlashROM Access Time

Worst Commercial-Case Conditions: $T_J = 70^\circ\text{C}$, $V_{CC} = 1.425\text{ V}$

Parameter	Description	Std.	Units
t_{SU}	Address Setup Time	0.57	ns
t_{HOLD}	Address Hold Time	0.00	ns
t_{CK2Q}	Clock to Out	34.14	ns
F_{MAX}	Maximum Clock Frequency	15	MHz

1.2 V DC Core Voltage

Table 2-178 • Embedded FlashROM Access Time

Worst Commercial-Case Conditions: $T_J = 70^\circ\text{C}$, $V_{CC} = 1.14\text{ V}$

Parameter	Description	Std.	Units
t_{SU}	Address Setup Time	0.59	ns
t_{HOLD}	Address Hold Time	0.00	ns
t_{CK2Q}	Clock to Out	52.90	ns
F_{MAX}	Maximum Clock Frequency	10	MHz

JTAG 1532 Characteristics

JTAG timing delays do not include JTAG I/Os. To obtain complete JTAG timing, add I/O buffer delays to the corresponding standard selected; refer to the I/O timing characteristics in the "User I/O Characteristics" section on page 2-19 for more details.

Timing Characteristics

Table 2-179 • JTAG 1532

Commercial-Case Conditions: $T_J = 70^\circ\text{C}$, Worst-Case $V_{CC} = 1.425\text{ V}$

Parameter	Description	Std.	Units
t_{DISU}	Test Data Input Setup Time	1.00	ns
t_{DIHD}	Test Data Input Hold Time	2.00	ns
t_{TMSSU}	Test Mode Select Setup Time	1.00	ns
t_{TMDHD}	Test Mode Select Hold Time	2.00	ns
t_{TCK2Q}	Clock to Q (data out)	8.00	ns
t_{RSTB2Q}	Reset to Q (data out)	25.00	ns
F_{TCKMAX}	TCK Maximum Frequency	15	MHz
$t_{TRSTREM}$	ResetB Removal Time	0.58	ns
$t_{TRSTREC}$	ResetB Recovery Time	0.00	ns
$t_{TRSTMPW}$	ResetB Minimum Pulse	TBD	ns

Note: For specific junction temperature and voltage supply levels, refer to [Table 2-6 on page 2-6](#) for derating values.

Table 2-180 • JTAG 1532

Commercial-Case Conditions: $T_J = 70^\circ\text{C}$, Worst-Case $V_{CC} = 1.14\text{ V}$

Parameter	Description	Std.	Units
t_{DISU}	Test Data Input Setup Time	1.50	ns
t_{DIHD}	Test Data Input Hold Time	3.00	ns
t_{TMSSU}	Test Mode Select Setup Time	1.50	ns
t_{TMDHD}	Test Mode Select Hold Time	3.00	ns
t_{TCK2Q}	Clock to Q (data out)	11.00	ns
t_{RSTB2Q}	Reset to Q (data out)	30.00	ns
F_{TCKMAX}	TCK Maximum Frequency	9.00	MHz
$t_{TRSTREM}$	ResetB Removal Time	1.18	ns
$t_{TRSTREC}$	ResetB Recovery Time	0.00	ns
$t_{TRSTMPW}$	ResetB Minimum Pulse	TBD	ns

Note: For specific junction temperature and voltage supply levels, refer to [Table 2-6 on page 2-6](#) for derating values.

Part Number and Revision Date

Part Number 51700095-002-4
Revised October 2008

List of Changes

The following table lists critical changes that were made in the current version of the chapter.

Previous Version	Changes in Current Version (Advance v0.5)	Page
Advance v0.4 (August 2008)	The tables in the "Quiescent Supply Current" section were updated with values for AGL400.	2-7
	The tables in the "Power Consumption of Various Internal Resources" section were updated with values for AGL400.	2-12
	Table 2-158 · AGL400 Global Resource is new.	2-92
Advance v0.3 (July 2008)	3.0 V LVCMOS wide range support data was added to Table 2-2 · Recommended Operating Conditions ⁴ .	2-2
	3.3 V LVCMOS wide range support data was added to Table 2-24 · Summary of Maximum and Minimum DC Input and Output Levels Applicable to Commercial and Industrial Conditions—Software Default Settings to Table 2-26 · Summary of Maximum and Minimum DC Input and Output Levels Applicable to Commercial and Industrial Conditions—Software Default Settings.	2-23 to 2-24
	3.3 V LVCMOS wide range support data was added to Table 2-27 · Summary of Maximum and Minimum DC Input Levels.	2-24
	3.3 V LVCMOS wide range support text was added to Table 2-49 · Minimum and Maximum DC Input and Output Levels for LVCMOS 3.3 V Wide Range.	2-37
	Table 2-49 · Minimum and Maximum DC Input and Output Levels for LVCMOS 3.3 V Wide Range is new.	2-37
Advance v0.2 (July 2008)	As a result of the Libero IDE v8.4 release, Actel now offers a wide range of core voltage support. The document was updated to change 1.2 V / 1.5 V to 1.2 V to 1.5 V.	N/A
Advance v0.1 (January 2008)	Tables have been updated to reflect default values in the software. The default I/O capacitance is 5 pF. Tables have been updated to include the LVCMOS 1.2 V I/O set. DDR Tables have two additional data points added to reflect both edges for Input DDR setup and hold time. The power data table has been updated to match SmartPower data rather than simulation values. AGL015 global clock delays have been added.	N/A
	Table 2-1 · Absolute Maximum Ratings was updated to combine the V _{CCI} and VMV parameters in one row. The word "output" from the parameter description for V _{CCI} and VMV, and table note 3 was added.	2-1

Previous Version	Changes in Current Version (Advance v0.5)	Page
Advance v0.1 (January 2008)	Table 2-2 · Recommended Operating Conditions ⁴ was updated to add references to tables notes 4, 6, 7, and 8. VMV was added to the V _{CCI} parameter row, and table note 9 was added.	2-2
	In Table 2-3 · Flash Programming Limits – Retention, Storage, and Operating Temperature ¹ , the maximum operating junction temperature was changed from 110° to 100°.	2-2
	VMV was removed from Table 2-4 · Overshoot and Undershoot Limits 1. The table title was modified to remove "as measured on quiet I/Os." Table note 2 was revised to remove "estimated SSO density over cycles." Table note 3 was revised to remove "refers only to overshoot/undershoot limits for simultaneous switching I/Os."	2-3
	The "PLL Behavior at Brownout Condition" section is new.	2-4
	Figure 2-2 · V2 Devices – I/O State as a Function of V _{CCI} and V _{CC} Voltage Levels is new.	2-5
	EQ 2-2 was updated. The temperature was changed to 100°C, and therefore the end result changed.	2-6
	The table notes for Table 2-8 · Quiescent Supply Current (I _{DD}) Characteristics, IGLOO Flash*Freeze Mode*, Table 2-9 · Quiescent Supply Current (I _{DD}) Characteristics, IGLOO Sleep Mode (V _{CC} = 0 V)*, and Table 2-10 · Quiescent Supply Current (I _{DD}) Characteristics, IGLOO Shutdown Mode (V _{CC} , V _{CCI} = 0 V)* were updated to remove VMV and include P _{DC6} and P _{DC7} . V _{CCI} and V _{JTAG} were removed from the statement about I _{DD} in the table note for Table 2-9 · Quiescent Supply Current (I _{DD}) Characteristics, IGLOO Sleep Mode (V _{CC} = 0 V)*.	2-7
	Note 2 of Table 2-11 · Quiescent Supply Current (I _{DD}), No IGLOO Flash*Freeze Mode ¹ was updated to include V _{CCPLL} . Note 4 was updated to include P _{DC6} and P _{DC7} .	2-8
	Table 2-12 · Summary of I/O Input Buffer Power (per pin) – Default I/O Software Settings, Table 2-13 · Summary of I/O Input Buffer Power (per pin) – Default I/O Software Settings, Table 2-14 · Summary of I/O Input Buffer Power (per pin) – Default I/O Software Settings, and Table 2-15 · Summary of I/O Output Buffer Power (per pin) – Default I/O Software Settings ¹ were updated to change P _{DC2} to P _{DC6} and P _{DC3} to P _{DC7} . The table notes were updated to reflect that power was measured on V _{CCI} .	2-9 through 2-10
	Table 2-19 · Different Components Contributing to the Static Power Consumption in IGLOO Devices and Table 2-21 · Different Components Contributing to the Static Power Consumption in IGLOO Device were updated to add P _{DC6} and P _{DC7} , and to change the definition for P _{DC5} to bank quiescent power. Subtitles were added to indicate type of devices and core supply voltage.	2-13, 2-15
	The "Total Static Power Consumption—P _{STAT} " section was updated to revise the calculation of P _{STAT} including P _{DC6} and P _{DC7} .	2-16
	In Table 2-18 · Different Components Contributing to Dynamic Power Consumption in IGLOO Devices, the description for P _{AC13} was changed from Static to Dynamic.	2-12
	Footnote 1 was updated to include information about P _{AC13} . The PLL Contribution equation was changed from: P _{PLL} = P _{AC13} + P _{AC14} * F _{CLKOUT} to P _{PLL} = P _{DC4} + P _{AC13} * F _{CLKOUT} .	2-17

Previous Version	Changes in Current Version (Advance v0.5)	Page
Advance v0.6 (November 2007)	The "Timing Model" was updated to be consistent with the revised timing numbers.	2-19
	In Table 2-26 • Summary of Maximum and Minimum DC Input and Output Levels Applicable to Commercial and Industrial Conditions—Software Default Settings, T_J was changed to T_A in notes 1 and 2.	2-24
	All AC Loading figures for single-ended I/O standards were changed from Datapaths at 35 pF to 5 pF.	N/A
	The "1.2 V LVCMOS (JESD8-12A)" section is new.	2-59
	This document was previously in datasheet Advance v0.7. As a result of moving to the handbook format, Actel has restarted the version numbers. The new version number is Advance v0.1.	N/A
Advance v0.6 (continued)	Table 2-4 • IGLOO CCC/PLL Specification and Table 2-5 • IGLOO CCC/PLL Specification were updated.	2-19, 2-20
	The former Table 2-16 • Maximum I/O Frequency for Single-Ended and Differential I/Os in All Banks in IGLOO Devices (maximum drive strength and high slew selected) was removed.	N/A
	The "During Flash*Freeze Mode" section was updated to include information about the output of the I/O to the FPGA core.	2-57
	Table 2-31 • Flash*Freeze Pin Location in IGLOO Family Packages (device-independent) was updated to add UC81 and CS281. Flash*Freeze pins were assigned for CS81, CS121, and CS196.	2-61
	Figure 2-40 • Flash*Freeze Mode Type 2 – Timing Diagram was updated to modify the LSICC Signal.	2-55
	Information regarding calculation of the quiescent supply current was added to the "Quiescent Supply Current" section.	3-6
	Table 3-8 • Quiescent Supply Current (I_{DD}) Characteristics, IGLOO Flash*Freeze Mode [†] was updated.	3-6
	Table 3-9 • Quiescent Supply Current (I_{DD}) Characteristics, IGLOO Sleep Mode ($V_{CC} = 0 V$) [†] was updated.	3-6
	Table 3-11 • Quiescent Supply Current (I_{DD}), No IGLOO Flash*Freeze Mode ¹ was updated.	3-7
	Table 3-115 • Minimum and Maximum DC Input and Output Levels was updated.	3-58
Table 3-156 • JTAG 1532 was updated and Table 3-155 • JTAG 1532 is new.	3-104	
Advance v0.3 (August 2007)	The "Power Conservation Techniques" section was updated to recommend that unused I/O signals be left floating.	2-51
Advance v0.2 (July 2007)	The CS81 and CS121 packages were added to Table 2-31 • Flash*Freeze Pin Location in IGLOO Family Packages (device-independent).	2-61
Advance v0.1	The T_J parameter in Table 3-2 • Recommended Operating Conditions was changed to T_A , ambient temperature, and table notes 4–6 were added.	3-2

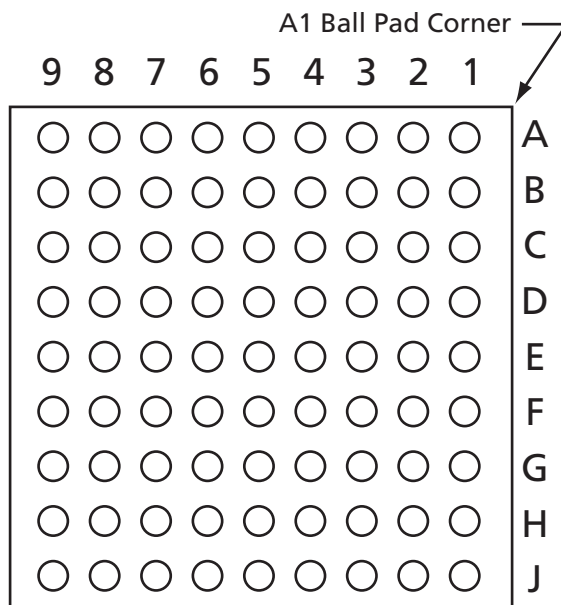
Actel Safety Critical, Life Support, and High-Reliability Applications Policy

The Actel products described in this advance status datasheet may not have completed Actel's qualification process. Actel may amend or enhance products during the product introduction and qualification process, resulting in changes in device functionality or performance. It is the responsibility of each customer to ensure the fitness of any Actel product (but especially a new product) for a particular purpose, including appropriateness for safety-critical, life-support, and other high-reliability applications. Consult Actel's Terms and Conditions for specific liability exclusions relating to life-support applications. A reliability report covering all of Actel's products is available on the Actel website at http://www.actel.com/documents/ORT_Report.pdf. Actel also offers a variety of enhanced qualification and lot acceptance screening procedures. Contact your local Actel sales office for additional reliability information.

 Rate This Document

3 – Package Pin Assignments

81-Pin μ CSP



Note: This is the bottom view of the package.

Note

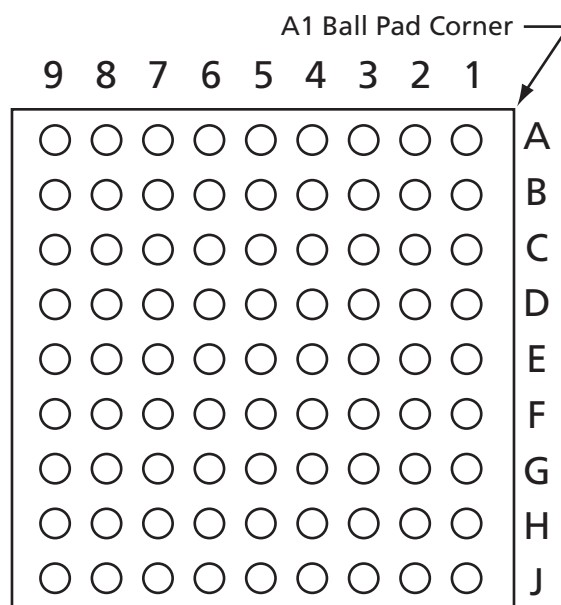
For Package Manufacturing and Environmental information, visit the Resource Center at <http://www.actel.com/products/solutions/package/docs.aspx>.

81-Pin μ CSP	
Pin Number	AGL030 Function
A1	IO00RSB0
A2	IO02RSB0
A3	IO06RSB0
A4	IO11RSB0
A5	IO16RSB0
A6	IO19RSB0
A7	IO22RSB0
A8	IO24RSB0
A9	IO26RSB0
B1	IO81RSB1
B2	IO04RSB0
B3	IO10RSB0
B4	IO13RSB0
B5	IO15RSB0
B6	IO20RSB0
B7	IO21RSB0
B8	IO28RSB0
B9	IO25RSB0
C1	IO79RSB1
C2	IO80RSB1
C3	IO08RSB0
C4	IO12RSB0
C5	IO17RSB0
C6	IO14RSB0
C7	IO18RSB0
C8	IO29RSB0
C9	IO27RSB0
D1	IO74RSB1
D2	IO76RSB1
D3	IO77RSB1
D4	V _{CC}
D5	V _{CCIB} 0
D6	GND
D7	IO23RSB0
D8	IO31RSB0
D9	IO30RSB0

81-Pin μ CSP	
Pin Number	AGL030 Function
E1	GEB0/IO71RSB1
E2	GEA0/IO72RSB1
E3	GEC0/IO73RSB1
E4	V _{CCIB} 1
E5	V _{CC}
E6	V _{CCIB} 0
E7	GDC0/IO32RSB0
E8	GDA0/IO33RSB0
E9	GDB0/IO34RSB0
F1	IO68RSB1
F2	IO67RSB1
F3	IO64RSB1
F4	GND
F5	V _{CCIB} 1
F6	IO47RSB1
F7	IO36RSB0
F8	IO38RSB0
F9	IO40RSB0
G1	IO65RSB1
G2	IO66RSB1
G3	IO57RSB1
G4	IO53RSB1
G5	IO49RSB1
G6	IO45RSB1
G7	IO46RSB1
G8	V _{JTAG}
G9	TRST
H1	IO62RSB1
H2	FF/IO60RSB1
H3	IO58RSB1
H4	IO54RSB1
H5	IO48RSB1
H6	IO43RSB1
H7	IO42RSB1
H8	TDI
H9	TDO

81-Pin μ CSP	
Pin Number	AGL030 Function
J1	IO63RSB1
J2	IO61RSB1
J3	IO59RSB1
J4	IO56RSB1
J5	IO52RSB1
J6	IO44RSB1
J7	TCK
J8	TMS
J9	V _{PUMP}

81-Pin CSP



Note: This is the bottom view of the package.

Note

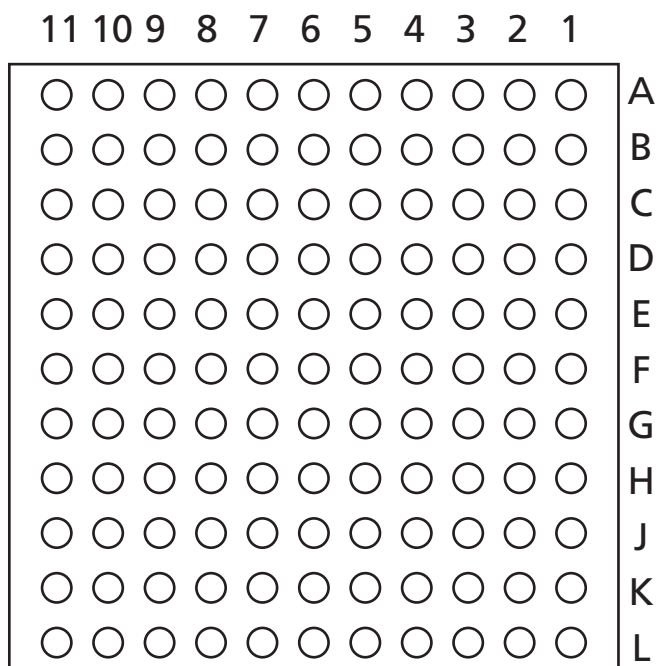
For Package Manufacturing and Environmental information, visit the Resource Center at <http://www.actel.com/products/solutions/package/docs.aspx>.

81-Pin CSP	
Pin Number	AGL030 Function
A1	IO00RSB0
A2	IO02RSB0
A3	IO06RSB0
A4	IO11RSB0
A5	IO16RSB0
A6	IO19RSB0
A7	IO22RSB0
A8	IO24RSB0
A9	IO26RSB0
B1	IO81RSB1
B2	IO04RSB0
B3	IO10RSB0
B4	IO13RSB0
B5	IO15RSB0
B6	IO20RSB0
B7	IO21RSB0
B8	IO28RSB0
B9	IO25RSB0
C1	IO79RSB1
C2	IO80RSB1
C3	IO08RSB0
C4	IO12RSB0
C5	IO17RSB0
C6	IO14RSB0
C7	IO18RSB0
C8	IO29RSB0
C9	IO27RSB0
D1	IO74RSB1
D2	IO76RSB1
D3	IO77RSB1
D4	V _{CC}
D5	V _{CC} B0
D6	GND
D7	IO23RSB0
D8	IO31RSB0
D9	IO30RSB0

81-Pin CSP	
Pin Number	AGL030 Function
E1	GEB0/IO71RSB1
E2	GEA0/IO72RSB1
E3	GEC0/IO73RSB1
E4	V _{CC} B1
E5	V _{CC}
E6	V _{CC} B0
E7	GDC0/IO32RSB0
E8	GDA0/IO33RSB0
E9	GDB0/IO34RSB0
F1	IO68RSB1
F2	IO67RSB1
F3	IO64RSB1
F4	GND
F5	V _{CC} B1
F6	IO47RSB1
F7	IO36RSB0
F8	IO38RSB0
F9	IO40RSB0
G1	IO65RSB1
G2	IO66RSB1
G3	IO57RSB1
G4	IO53RSB1
G5	IO49RSB1
G6	IO44RSB1
G7	IO46RSB1
G8	V _{JTAG}
G9	TRST
H1	IO62RSB1
H2	FF/IO60RSB1
H3	IO58RSB1
H4	IO54RSB1
H5	IO48RSB1
H6	IO43RSB1
H7	IO42RSB1
H8	TDI
H9	TDO

81-Pin CSP	
Pin Number	AGL030 Function
J1	IO63RSB1
J2	IO61RSB1
J3	IO59RSB1
J4	IO56RSB1
J5	IO52RSB1
J6	IO45RSB1
J7	TCK
J8	TMS
J9	V _{PUMP}

121-Pin CSP



Note: This is the bottom view of the package.

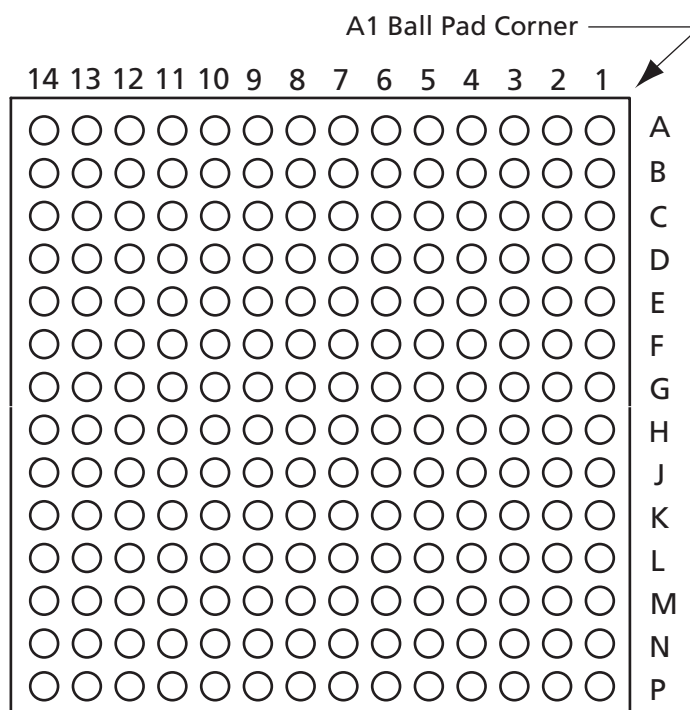
Note

For Package Manufacturing and Environmental information, visit the Resource Center at <http://www.actel.com/products/solutions/package/docs.aspx>.

121-Pin CSP		121-Pin CSP		121-Pin CSP	
Pin Number	AGL060 Function	Pin Number	AGL060 Function	Pin Number	AGL060 Function
A1	GNDQ	D9	GCA2/IO41RSB0	H6	GEC2/IO66RSB1
A2	IO01RSB0	D10	IO30RSB0	H7	IO54RSB1
A3	GAA1/IO03RSB0	D11	IO33RSB0	H8	GDC2/IO53RSB1
A4	GAC1/IO07RSB0	E1	IO87RSB1	H9	V _{JTAG}
A5	IO15RSB0	E2	GFC0/IO85RSB1	H10	TRST
A6	IO13RSB0	E3	IO92RSB1	H11	IO44RSB0
A7	IO17RSB0	E4	IO94RSB1	J1	GEC1/IO74RSB1
A8	GBB1/IO22RSB0	E5	V _{CC}	J2	GEC0/IO73RSB1
A9	GBA1/IO24RSB0	E6	V _{CC1} B0	J3	GEB1/IO72RSB1
A10	GNDQ	E7	GND	J4	GEA0/IO69RSB1
A11	VMV0	E8	GCC0/IO36RSB0	J5	FF/GEB2/IO67RSB1
B1	GAA2/IO95RSB1	E9	IO34RSB0	J6	IO62RSB1
B2	IO00RSB0	E10	GCB1/IO37RSB0	J7	GDA2/IO51RSB1
B3	GAA0/IO02RSB0	E11	GCC1/IO35RSB0	J8	GDB2/IO52RSB1
B4	GAC0/IO06RSB0	F1*	V _{CCOMPLF}	J9	TDI
B5	IO08RSB0	F2	GFB0/IO83RSB1	J10	TDO
B6	IO12RSB0	F3	GFA0/IO82RSB1	J11	GDC1/IO45RSB0
B7	IO16RSB0	F4	GFC1/IO86RSB1	K1	GEB0/IO71RSB1
B8	GBC1/IO20RSB0	F5	V _{CC1} B1	K2	GEA1/IO70RSB1
B9	GBB0/IO21RSB0	F6	V _{CC}	K3	GEA2/IO68RSB1
B10	GBB2/IO27RSB0	F7	V _{CC1} B0	K4	IO64RSB1
B11	GBA2/IO25RSB0	F8	GCB2/IO42RSB0	K5	IO60RSB1
C1	IO89RSB1	F9	GCC2/IO43RSB0	K6	IO59RSB1
C2	GAC2/IO91RSB1	F10	GCB0/IO38RSB0	K7	IO56RSB1
C3	GAB1/IO05RSB0	F11	GCA1/IO39RSB0	K8	TCK
C4	GAB0/IO04RSB0	G1*	V _{CCPLF}	K9	TMS
C5	IO09RSB0	G2	GFB2/IO79RSB1	K10	V _{PUMP}
C6	IO14RSB0	G3	GFA1/IO81RSB1	K11	GDB1/IO47RSB0
C7	GBA0/IO23RSB0	G4	GFB1/IO84RSB1	L1	VMV1
C8	GBC0/IO19RSB0	G5	GND	L2	GNDQ
C9	IO26RSB0	G6	V _{CC1} B1	L3	IO65RSB1
C10	IO28RSB0	G7	V _{CC}	L4	IO63RSB1
C11	GBC2/IO29RSB0	G8	GDC0/IO46RSB0	L5	IO61RSB1
D1	IO88RSB1	G9	GDA1/IO49RSB0	L6	IO58RSB1
D2	IO90RSB1	G10	GDB0/IO48RSB0	L7	IO57RSB1
D3	GAB2/IO93RSB1	G11	GCA0/IO40RSB0	L8	IO55RSB1
D4	IO10RSB0	H1	IO75RSB1	L9	GNDQ
D5	IO11RSB0	H2	IO76RSB1	L10	GDA0/IO50RSB0
D6	IO18RSB0	H3	GFC2/IO78RSB1	L11	VMV1
D7	IO32RSB0	H4	GFA2/IO80RSB1		
D8	IO31RSB0	H5	IO77RSB1		

* Pin numbers F1 and G1 must be connected to ground because a PLL is not supported for AGL060-CS/G121.

196-Pin CSP



Note: This is the bottom view of the package.

Note

For Package Manufacturing and Environmental information, visit the Resource Center at <http://www.actel.com/products/solutions/package/docs.aspx>.

196-Pin CSP		196-Pin CSP		196-Pin CSP	
Pin Number	AGL125 Function	Pin Number	AGL125 Function	Pin Number	AGL125 Function
A1	GND	C9	IO23RSB0	F3	IO113RSB1
A2	GAA0/IO00RSB0	C10	IO29RSB0	F4	IO112RSB1
A3	GAC0/IO04RSB0	C11	V _{CCIB0}	F5	IO111RSB1
A4	GAC1/IO05RSB0	C12	IO42RSB0	F6	NC
A5	IO09RSB0	C13	GNDQ	F7	V _{CC}
A6	IO15RSB0	C14	IO44RSB0	F8	V _{CC}
A7	IO18RSB0	D1	IO127RSB1	F9	NC
A8	IO22RSB0	D2	IO129RSB1	F10	IO07RSB0
A9	IO27RSB0	D3	GAA2/IO132RSB1	F11	IO25RSB0
A10	GBC0/IO35RSB0	D4	IO126RSB1	F12	IO10RSB0
A11	GBB0/IO37RSB0	D5	IO06RSB0	F13	IO33RSB0
A12	GBB1/IO38RSB0	D6	IO13RSB0	F14	IO47RSB0
A13	GBA1/IO40RSB0	D7	IO19RSB0	G1	GFB1/IO121RSB1
A14	GND	D8	IO21RSB0	G2	GFA0/IO119RSB1
B1	V _{CCIB1}	D9	IO26RSB0	G3	GFA2/IO117RSB1
B2	VMV0	D10	IO31RSB0	G4	V _{COMPLF}
B3	GAA1/IO01RSB0	D11	IO30RSB0	G5	GFC0/IO122RSB1
B4	GAB1/IO03RSB0	D12	VMV0	G6	V _{CC}
B5	GND	D13	IO46RSB0	G7	GND
B6	IO16RSB0	D14	GBC2/IO45RSB0	G8	GND
B7	IO20RSB0	E1	IO125RSB1	G9	V _{CC}
B8	IO24RSB0	E2	GND	G10	GCC0/IO52RSB0
B9	IO28RSB0	E3	IO131RSB1	G11	GCB1/IO53RSB0
B10	GND	E4	V _{CCIB1}	G12	GCA0/IO56RSB0
B11	GBC1/IO36RSB0	E5	NC	G13	IO48RSB0
B12	GBA0/IO39RSB0	E6	IO08RSB0	G14	GCC2/IO59RSB0
B13	GBA2/IO41RSB0	E7	IO17RSB0	H1	GFB0/IO120RSB1
B14	GBB2/IO43RSB0	E8	IO12RSB0	H2	GFA1/IO118RSB1
C1	GAC2/IO128RSB1	E9	IO11RSB0	H3	V _{CCPLF}
C2	GAB2/IO130RSB1	E10	NC	H4	GFB2/IO116RSB1
C3	GNDQ	E11	V _{CCIB0}	H5	GFC1/IO123RSB1
C4	V _{CCIB0}	E12	IO32RSB0	H6	V _{CC}
C5	GAB0/IO02RSB0	E13	GND	H7	GND
C6	IO14RSB0	E14	IO34RSB0	H8	GND
C7	V _{CCIB0}	F1	IO124RSB1	H9	V _{CC}
C8	NC	F2	IO114RSB1	H10	GCC1/IO51RSB0

196-Pin CSP		196-Pin CSP		196-Pin CSP	
Pin Number	AGL125 Function	Pin Number	AGL125 Function	Pin Number	AGL125 Function
H11	GCB0/IO54RSB0	L5	IO91RSB1	N13	GNDQ
H12	GCA1/IO55RSB0	L6	IO90RSB1	N14	TDO
H13	IO49RSB0	L7	IO83RSB1	P1	GND
H14	GCA2/IO57RSB0	L8	IO81RSB1	P2	GEA2/IO103RSB1
J1	GFC2/IO115RSB1	L9	IO71RSB1	P3	FF/GEB2/IO102RSB1
J2	IO110RSB1	L10	IO70RSB1	P4	IO98RSB1
J3	IO94RSB1	L11	V _{PUMP}	P5	IO97RSB1
J4	IO93RSB1	L12	V _{JTAG}	P6	IO85RSB1
J5	IO89RSB1	L13	GDA0/IO66RSB0	P7	IO84RSB1
J6	NC	L14	GDB0/IO64RSB0	P8	IO79RSB1
J7	V _{CC}	M1	GEB0/IO106RSB1	P9	IO77RSB1
J8	V _{CC}	M2	GEA1/IO105RSB1	P10	IO75RSB1
J9	NC	M3	GNDQ	P11	GDC2/IO69RSB1
J10	IO60RSB0	M4	V _{CCIB1}	P12	GDA2/IO67RSB1
J11	GCB2/IO58RSB0	M5	IO92RSB1	P13	TMS
J12	IO50RSB0	M6	IO88RSB1	P14	GND
J13	GDC1/IO61RSB0	M7	NC		
J14	GDC0/IO62RSB0	M8	V _{CCIB1}		
K1	IO99RSB1	M9	IO76RSB1		
K2	GND	M10	GDB2/IO68RSB1		
K3	IO95RSB1	M11	V _{CCIB1}		
K4	V _{CCIB1}	M12	VMV1		
K5	NC	M13	TRST		
K6	IO86RSB1	M14	V _{CCIB0}		
K7	IO80RSB1	N1	GEA0/IO104RSB1		
K8	IO74RSB1	N2	VMV1		
K9	IO72RSB1	N3	GEC2/IO101RSB1		
K10	NC	N4	IO100RSB1		
K11	V _{CCIB0}	N5	GND		
K12	GDA1/IO65RSB0	N6	IO87RSB1		
K13	GND	N7	IO82RSB1		
K14	GDB1/IO63RSB0	N8	IO78RSB1		
L1	GEB1/IO107RSB1	N9	IO73RSB1		
L2	GEC1/IO109RSB1	N10	GND		
L3	GEC0/IO108RSB1	N11	TCK		
L4	IO96RSB1	N12	TDI		

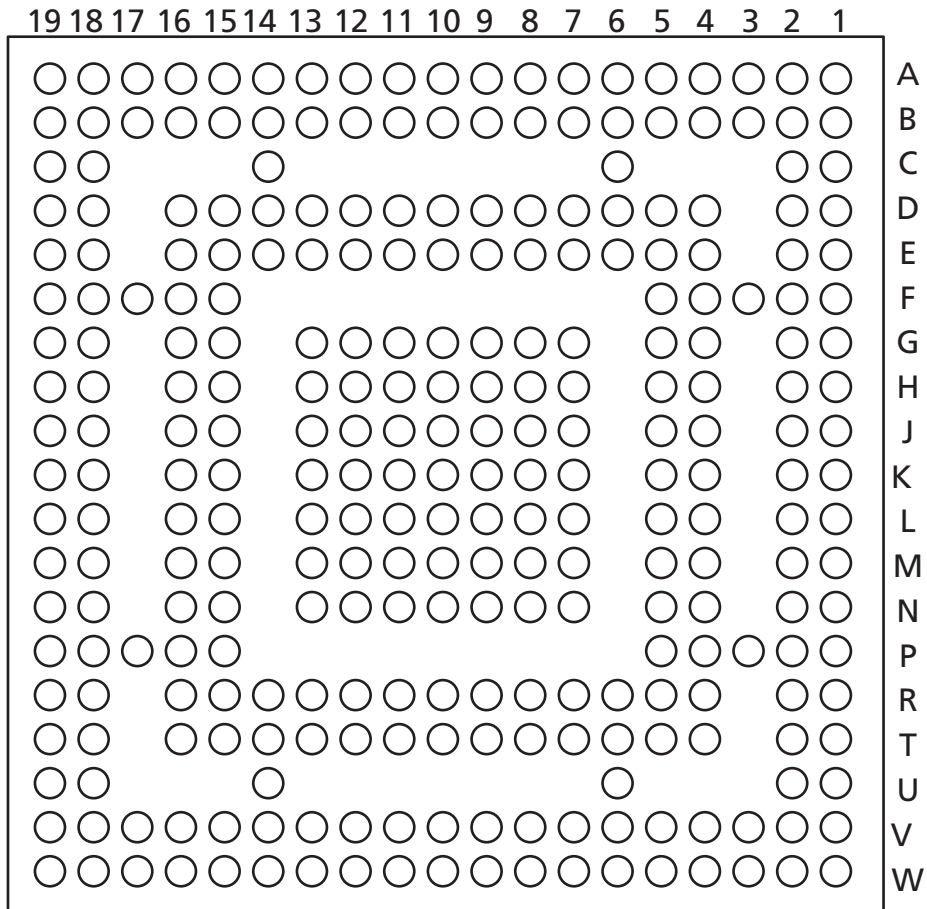
196-Pin CSP		196-Pin CSP		196-Pin CSP	
Pin Number	AGL250 Function	Pin Number	AGL250 Function	Pin Number	AGL250 Function
A1	GND	C9	IO30RSB0	F3	IO111PDB3
A2	GAA0/IO00RSB0	C10	IO33RSB0	F4	IO111NDB3
A3	GAC0/IO04RSB0	C11	V _{CCI} B0	F5	IO113NPB3
A4	GAC1/IO05RSB0	C12	IO41NPB1	F6	IO06RSB0
A5	IO10RSB0	C13	GNDQ	F7	V _{CC}
A6	IO13RSB0	C14	IO42NDB1	F8	V _{CC}
A7	IO17RSB0	D1	IO116VDB3	F9	IO28RSB0
A8	IO19RSB0	D2	IO117VDB3	F10	IO54PDB1
A9	IO23RSB0	D3	GAA2/IO118UDB3	F11	IO54NDB1
A10	GBC0/IO35RSB0	D4	IO113PPB3	F12	IO47NDB1
A11	GBB0/IO37RSB0	D5	IO08RSB0	F13	IO47PDB1
A12	GBB1/IO38RSB0	D6	IO14RSB0	F14	IO45NDB1
A13	GBA1/IO40RSB0	D7	IO15RSB0	G1	GFB1/IO109PDB3
A14	GND	D8	IO18RSB0	G2	GFA0/IO108NDB3
B1	V _{CCI} B3	D9	IO25RSB0	G3	GFA2/IO107PPB3
B2	VMV0	D10	IO32RSB0	G4	V _{COMPLF}
B3	GAA1/IO01RSB0	D11	IO44PPB1	G5	GFC0/IO110NDB3
B4	GAB1/IO03RSB0	D12	VMV1	G6	V _{CC}
B5	GND	D13	IO43NDB1	G7	GND
B6	IO12RSB0	D14	GBC2/IO43PDB1	G8	GND
B7	IO16RSB0	E1	IO112PDB3	G9	V _{CC}
B8	IO22RSB0	E2	GND	G10	GCC0/IO48NDB1
B9	IO24RSB0	E3	IO118VDB3	G11	GCB1/IO49PDB1
B10	GND	E4	V _{CCI} B3	G12	GCA0/IO50NDB1
B11	GBC1/IO36RSB0	E5	IO114USB3	G13	IO53NDB1
B12	GBA0/IO39RSB0	E6	IO07RSB0	G14	GCC2/IO53PDB1
B13	GBA2/IO41PPB1	E7	IO09RSB0	H1	GFB0/IO109NDB3
B14	GBB2/IO42PDB1	E8	IO21RSB0	H2	GFA1/IO108PDB3
C1	GAC2/IO116UDB3	E9	IO31RSB0	H3	V _{CCPLF}
C2	GAB2/IO117UDB3	E10	IO34RSB0	H4	GFB2/IO106PPB3
C3	GNDQ	E11	V _{CCI} B1	H5	GFC1/IO110PDB3
C4	V _{CCI} B0	E12	IO44NPB1	H6	V _{CC}
C5	GAB0/IO02RSB0	E13	GND	H7	GND
C6	IO11RSB0	E14	IO45PDB1	H8	GND
C7	V _{CCI} B0	F1	IO112NDB3	H9	V _{CC}
C8	IO20RSB0	F2	IO107NPB3	H10	GCC1/IO48PDB1

196-Pin CSP		196-Pin CSP		196-Pin CSP	
Pin Number	AGL250 Function	Pin Number	AGL250 Function	Pin Number	AGL250 Function
H11	GCB0/IO49NDB1	L5	IO89RSB2	N13	GNDQ
H12	GCA1/IO50PDB1	L6	IO92RSB2	N14	TDO
H13	IO51NDB1	L7	IO75RSB2	P1	GND
H14	GCA2/IO51PDB1	L8	IO66RSB2	P2	GEA2/IO97RSB2
J1	GFC2/IO105PDB3	L9	IO65RSB2	P3	GEB2/IO96RSB2
J2	IO104PPB3	L10	IO71RSB2	P4	IO90RSB2
J3	IO106NPB3	L11	V _{PUMP}	P5	IO85RSB2
J4	IO103PDB3	L12	V _{JTAG}	P6	IO83RSB2
J5	IO103NDB3	L13	GDA0/IO60VPB1	P7	IO79RSB2
J6	IO80RSB2	L14	GDB0/IO59VDB1	P8	IO76RSB2
J7	V _{CC}	M1	GEB0/IO99NDB3	P9	IO72RSB2
J8	V _{CC}	M2	GEA1/IO98PPB3	P10	IO68RSB2
J9	IO64RSB2	M3	GNDQ	P11	GDC2/IO63RSB2
J10	IO56PDB1	M4	V _{CC1B2}	P12	GDA2/IO61RSB2
J11	GCB2/IO52PDB1	M5	IO88RSB2	P13	TMS
J12	IO52NDB1	M6	IO87RSB2	P14	GND
J13	GDC1/IO58UDB1	M7	IO82RSB2		
J14	GDC0/IO58VDB1	M8	V _{CC1B2}		
K1	IO105NDB3	M9	IO67RSB2		
K2	GND	M10	GDB2/IO62RSB2		
K3	IO104NPB3	M11	V _{CC1B2}		
K4	V _{CC1B3}	M12	VMV2		
K5	IO101PPB3	M13	TRST		
K6	IO91RSB2	M14	V _{CC1B1}		
K7	IO81RSB2	N1	GEA0/IO98NPB3		
K8	IO73RSB2	N2	VMV3		
K9	IO77RSB2	N3	GEC2/IO95RSB2		
K10	IO56NDB1	N4	IO94RSB2		
K11	V _{CC1B1}	N5	GND		
K12	GDA1/IO60UPB1	N6	IO86RSB2		
K13	GND	N7	IO78RSB2		
K14	GDB1/IO59UDB1	N8	IO74RSB2		
L1	GEB1/IO99PDB3	N9	IO69RSB2		
L2	GEC1/IO100PDB3	N10	GND		
L3	GEC0/IO100NDB3	N11	TCK		
L4	IO101NPB3	N12	TDI		

196-pin CSP		196-pin CSP		196-pin CSP	
Pin Number	AGL400 Function	Pin Number	AGL400 Function	Pin Number	AGL400 Function
A1	GND	C8	IO31RSB0	F2	IO144NPB3
A2	GAA0/IO00RSB0	C9	IO44RSB0	F3	IO148PDB3
A3	GAC0/IO04RSB0	C10	IO49RSB0	F4	IO148NDB3
A4	GAC1/IO05RSB0	C11	V _{CC} B0	F5	IO150NPB3
A5	IO14RSB0	C12	IO60NPB1	F6	IO07RSB0
A6	IO18RSB0	C13	GNDQ	F7	V _{CC}
A7	IO26RSB0	C14	IO61NDB1	F8	V _{CC}
A8	IO29RSB0	D1	IO153VDB3	F9	IO43RSB0
A9	IO36RSB0	D2	IO154VDB3	F10	IO73PDB1
A10	GBC0/IO54RSB0	D3	GAA2/IO155UDB3	F11	IO73NDB1
A11	GBB0/IO56RSB0	D4	IO150PPB3	F12	IO66NDB1
A12	GBB1/IO57RSB0	D5	IO11RSB0	F13	IO66PDB1
A13	GBA1/IO59RSB0	D6	IO20RSB0	F14	IO64NDB1
A14	GND	D7	IO23RSB0	G1	GFB1/IO146PDB3
B1	V _{CC} B3	D8	IO28RSB0	G2	GFA0/IO145NDB3
B2	VMV0	D9	IO41RSB0	G3	GFA2/IO144PPB3
B2	VMV0	D10	IO47RSB0	G4	V _{COMPLF}
B3	GAA1/IO01RSB0	D11	IO63PPB1	G5	GFC0/IO147NDB3
B4	GAB1/IO03RSB0	D12	VMV1	G6	V _{CC}
B5	GND	D13	IO62NDB1	G7	GND
B6	IO17RSB0	D14	GBC2/IO62PDB1	G8	GND
B7	IO25RSB0	E1	IO149PDB3	G9	V _{CC}
B8	IO34RSB0	E2	GND	G10	GCC0/IO67NDB1
B9	IO39RSB0	E3	IO155VDB3	G11	GCB1/IO68PDB1
B10	GND	E4	V _{CC} B3	G12	GCA0/IO69NDB1
B11	GBC1/IO55RSB0	E5	IO151USB3	G13	IO72NDB1
B12	GBA0/IO58RSB0	E6	IO09RSB0	G14	GCC2/IO72PDB1
B13	GBA2/IO60PPB1	E7	IO12RSB0	H1	GFB0/IO146NDB3
B14	GBB2/IO61PDB1	E8	IO32RSB0	H2	GFA1/IO145PDB3
C1	GAC2/IO153UDB3	E9	IO46RSB0	H3	V _{CCPLF}
C2	GAB2/IO154UDB3	E10	IO51RSB0	H4	GFB2/IO143PPB3
C3	GNDQ	E11	V _{CC} B1	H5	GFC1/IO147PDB3
C4	V _{CC} B0	E12	IO63NPB1	H6	V _{CC}
C5	GAB0/IO02RSB0	E13	GND	H7	GND
C6	IO15RSB0	E14	IO64PDB1	H8	GND
C7	V _{CC} B0	F1	IO149NDB3	H9	V _{CC}

196-pin CSP		196-pin CSP		196-pin CSP	
Pin Number	AGL400 Function	Pin Number	AGL400 Function	Pin Number	AGL400 Function
H10	GCC1/IO67PDB1	L4	IO138NPB3	N11	TCK
H11	GCB0/IO68NDB1	L5	IO122RSB2	N12	TDI
H12	GCA1/IO69PDB1	L6	IO128RSB2	N13	GNDQ
H13	IO70NDB1	L7	IO101RSB2	N14	TDO
H14	GCA2/IO70PDB1	L8	IO88RSB2	P1	GND
J1	GFC2/IO142PDB3	L9	IO86RSB2	P2	GEA2/IO134RSB2
J2	IO141PPB3	L10	IO94RSB2	P3	FF/GEB2/IO133RSB2
J3	IO143NPB3	L11	V _{PUMP}	P4	IO123RSB2
J4	IO140PDB3	L12	V _{JTAG}	P5	IO116RSB2
J5	IO140NDB3	L13	GDA0/IO79VPB1	P6	IO114RSB2
J6	IO109RSB2	L14	GDB0/IO78VDB1	P7	IO107RSB2
J7	V _{CC}	M1	GEB0/IO136NDB3	P8	IO103RSB2
J8	V _{CC}	M2	GEA1/IO135PPB3	P9	IO95RSB2
J9	IO84RSB2	M3	GNDQ	P10	IO91RSB2
J10	IO75PDB1	M4	V _{CC1} B2	P11	GDC2/IO82RSB2
J11	GCB2/IO71PDB1	M5	IO120RSB2	P12	GDA2/IO80RSB2
J12	IO71NDB1	M6	IO119RSB2	P13	TMS
J13	GDC1/IO77UDB1	M7	IO112RSB2	P14	GND
J14	GDC0/IO77VDB1	M8	V _{CC1} B2		
K1	IO142NDB3	M9	IO89RSB2		
K2	GND	M10	GDB2/IO81RSB2		
K3	IO141NPB3	M11	V _{CC1} B2		
K4	V _{CC1} B3	M12	VMV2		
K5	IO138PPB3	M12	VMV2		
K6	IO125RSB2	M13	TRST		
K7	IO110RSB2	M14	V _{CC1} B1		
K8	IO98RSB2	N1	GEA0/IO135NPB3		
K9	IO104RSB2	N2	VMV3		
K10	IO75NDB1	N3	GEC2/IO132RSB2		
K11	V _{CC1} B1	N4	IO130RSB2		
K12	GDA1/IO79UPB1	N5	GND		
K13	GND	N6	IO117RSB2		
K14	GDB1/IO78UDB1	N7	IO106RSB2		
L1	GEB1/IO136PDB3	N8	IO100RSB2		
L2	GEC1/IO137PDB3	N9	IO92RSB2		
L3	GEC0/IO137NDB3	N10	GND		

281-Pin CSP



Note: This is the bottom view of the package.

Note

For Package Manufacturing and Environmental information, visit the Resource Center at <http://www.actel.com/products/solutions/package/docs.aspx>.

281-Pin CSP		281-Pin CSP		281-Pin CSP	
Pin Number	AGL600 Function	Pin Number	AGL600 Function	Pin Number	AGL600 Function
A1	GND	B18	V _{CC} I B1	E13	IO46RSB0
A2	GAB0/IO02RSB0	B19	IO61NDB1	E14	GBB1/IO57RSB0
A3	GAC1/IO05RSB0	C1	GAB2/IO173PPB3	E15	IO62NPB1
A4	IO07RSB0	C2	IO174NPB3	E16	IO63PPB1
A5	IO10RSB0	C6	IO12RSB0	E18	IO64PPB1
A6	IO14RSB0	C14	IO50RSB0	E19	IO65NPB1
A7	IO18RSB0	C18	IO60NPB1	F1	IO168NPB3
A8	IO21RSB0	C19	GBB2/IO61PDB1	F2	GND
A9	IO22RSB0	D1	IO170PPB3	F3	IO169PPB3
A10	V _{CC} I B0	D2	IO172NPB3	F4	IO170NPB3
A11	IO33RSB0	D4	GAA0/IO00RSB0	F5	IO173NPB3
A12	IO40RSB0	D5	GAA1/IO01RSB0	F15	IO63NPB1
A13	IO37RSB0	D6	IO09RSB0	F16	IO65PPB1
A14	IO48RSB0	D7	IO16RSB0	F17	IO64NPB1
A15	IO51RSB0	D8	IO19RSB0	F18	GND
A16	IO53RSB0	D9	IO26RSB0	F19	IO68PPB1
A17	GBC1/IO55RSB0	D10	GND	G1	IO167NPB3
A18	GBA0/IO58RSB0	D11	IO34RSB0	G2	IO165NDB3
A19	GND	D12	IO45RSB0	G4	IO168PPB3
B1	GAA2/IO174PPB3	D13	IO49RSB0	G5	IO167PPB3
B2	V _{CC} I B0	D14	IO47RSB0	G7	GAC2/IO172PPB3
B3	GAB1/IO03RSB0	D15	GBB0/IO56RSB0	G8	VCCIB0
B4	GAC0/IO04RSB0	D16	GBA2/IO60PPB1	G9	IO28RSB0
B5	IO06RSB0	D18	GBC2/IO62PPB1	G10	IO32RSB0
B6	GND	D19	IO66NPB1	G11	IO43RSB0
B7	IO15RSB0	E1	IO169NPB3	G12	VCCIB0
B8	IO20RSB0	E2	IO171PPB3	G13	IO66PPB1
B9	IO23RSB0	E4	IO171NPB3	G15	IO67NDB1
B10	IO24RSB0	E5	IO08RSB0	G16	IO67PDB1
B11	IO36RSB0	E6	IO11RSB0	G18	GCC0/IO69NPB1
B12	IO35RSB0	E7	IO13RSB0	G19	GCB1/IO70PPB1
B13	IO44RSB0	E8	IO17RSB0	H1	GFB0/IO163NPB3
B14	GND	E9	IO25RSB0	H2	IO165PDB3
B15	IO52RSB0	E10	IO30RSB0	H4	GFC1/IO164PPB3
B16	GBC0/IO54RSB0	E11	IO41RSB0	H5	GFB1/IO163PPB3
B17	GBA1/IO59RSB0	E12	IO42RSB0	H7	V _{CC} I B3

281-Pin CSP		281-Pin CSP		281-Pin CSP	
Pin Number	AGL600 Function	Pin Number	AGL600 Function	Pin Number	AGL600 Function
H8	V _{CC}	K15	IO73NPB1	N4	IO150PPB3
H9	V _{CC} B0	K16	GND	N5	IO148NPB3
H10	V _{CC}	K18	IO74NPB1	N7	GEA2/IO143RSB2
H11	V _{CC} B0	K19	V _{CC} B1	N8	VCCIB2
H12	V _{CC}	L1	GFB2/IO160PDB3	N9	IO117RSB2
H13	V _{CC} B1	L2	IO160NDB3	N10	IO115RSB2
H15	IO68NPB1	L4	GFC2/IO159PPB3	N11	IO114RSB2
H16	GCB0/IO70NPB1	L5	IO153PPB3	N12	VCCIB2
H18	GCA1/IO71PPB1	L7	IO153NPB3	N13	V _{PUMP}
H19	GCA2/IO72PPB1	L8	V _{CC} B3	N15	IO82PPB1
J1	V _{COMPLF}	L9	GND	N16	IO85PPB1
J2	GFA0/IO162NDB3	L10	GND	N18	IO82NPB1
J4	V _{CC} PLF	L11	GND	N19	IO81PPB1
J5	GFC0/IO164NPB3	L12	V _{CC} B1	P1	IO151PDB3
J7	GFA2/IO161PDB3	L13	IO76PPB1	P2	GND
J8	V _{CC} B3	L15	IO76NPB1	P3	IO151NDB3
J9	GND	L16	IO77PPB1	P4	IO149PPB3
J10	GND	L18	IO78NPB1	P5	GEA0/IO144NPB3
J11	GND	L19	IO77NPB1	P15	IO83NDB1
J12	V _{CC} B1	M1	IO158PDB3	P16	IO83PDB1
J13	GCC1/IO69PPB1	M2	IO158NDB3	P17	GDC1/IO86PPB1
J15	GCA0/IO71NPB1	M4	IO154NPB3	P18	GND
J16	GCB2/IO73PPB1	M5	IO152PPB3	P19	IO85NPB1
J18	IO72NPB1	M7	V _{CC} B3	R1	IO150NPB3
J19	IO75PSB1	M8	V _{CC}	R2	IO149NPB3
K1	V _{CC} B3	M9	V _{CC} B2	R4	GEC1/IO146PPB3
K2	GFA1/IO162PDB3	M10	V _{CC}	R5	GEB1/IO145PPB3
K4	GND	M11	V _{CC} B2	R6	IO138RSB2
K5	IO159NPB3	M12	V _{CC}	R7	IO127RSB2
K7	IO161NDB3	M13	VCCIB1	R8	IO123RSB2
K8	V _{CC}	M15	IO79NPB1	R9	IO118RSB2
K9	GND	M16	IO81NPB1	R10	IO111RSB2
K10	GND	M18	IO79PPB1	R11	IO106RSB2
K11	GND	M19	IO78PPB1	R12	IO103RSB2
K12	V _{CC}	N1	IO154PPB3	R13	IO97RSB2
K13	GCC2/IO74PPB1	N2	IO152NPB3	R14	IO95RSB2

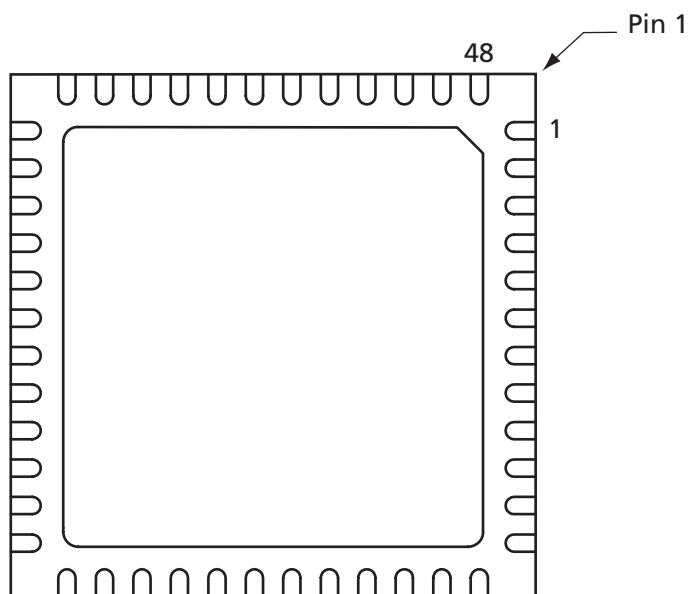
281-Pin CSP		281-Pin CSP	
Pin Number	AGL600 Function	Pin Number	AGL600 Function
R15	IO94RSB2	V10	IO112RSB2
R16	GDA1/IO88PPB1	V11	IO110RSB2
R18	GDB0/IO87NPB1	V12	IO108RSB2
R19	GDC0/IO86NPB1	V13	IO102RSB2
T1	IO148PPB3	V14	GND
T2	GEC0/IO146NPB3	V15	IO93RSB2
T4	GEB0/IO145NPB3	V16	GDA2/IO89RSB2
T5	IO132RSB2	V17	TDI
T6	IO136RSB2	V18	V _{CC} I _B 2
T7	IO130RSB2	V19	TDO
T8	IO126RSB2	W1	GND
T9	IO120RSB2	W2	FF/GEB2/IO142RSB2
T10	GND	W3	IO139RSB2
T11	IO113RSB2	W4	IO137RSB2
T12	IO104RSB2	W5	IO134RSB2
T13	IO101RSB2	W6	IO133RSB2
T14	IO98RSB2	W7	IO128RSB2
T15	GDC2/IO91RSB2	W8	IO124RSB2
T16	TMS	W9	IO119RSB2
T18	V _{JTAG}	W10	V _{CC} I _B 2
T19	GDB1/IO87PPB1	W11	IO109RSB2
U1	IO147PDB3	W12	IO107RSB2
U2	GEA1/IO144PPB3	W13	IO105RSB2
U6	IO131RSB2	W14	IO100RSB2
U14	IO99RSB2	W15	IO96RSB2
U18	TRST	W16	IO92RSB2
U19	GDA0/IO88NPB1	W17	GDB2/IO90RSB2
V1	IO147NDB3	W18	TCK
V2	V _{CC} I _B 3	W19	GND
V3	GEC2/IO141RSB2		
V4	IO140RSB2		
V5	IO135RSB2		
V6	GND		
V7	IO125RSB2		
V8	IO122RSB2		
V9	IO116RSB2		

281-Pin CSP		281-Pin CSP		281-Pin CSP	
Pin Number	AGL1000 Function	Pin Number	AGL1000 Function	Pin Number	AGL1000 Function
A1	GND	B18	V _{CC} B1	E13	IO53RSB0
A2	GAB0/IO02RSB0	B19	IO79NDB1	E14	GBB1/IO75RSB0
A3	GAC1/IO05RSB0	C1	GAB2/IO224PPB3	E15	IO80NPB1
A4	IO13RSB0	C2	IO225NPB3	E16	IO85PPB1
A5	IO11RSB0	C6	IO18RSB0	E18	IO83PPB1
A6	IO16RSB0	C14	IO63RSB0	E19	IO84NPB1
A7	IO20RSB0	C18	IO78NPB1	F1	IO214NPB3
A8	IO24RSB0	C19	GBB2/IO79PDB1	F2	GND
A9	IO29RSB0	D1	IO219PPB3	F3	IO217PPB3
A10	V _{CC} B0	D2	IO223NPB3	F4	IO219NPB3
A11	IO39RSB0	D4	GAA0/IO00RSB0	F5	IO224NPB3
A12	IO45RSB0	D5	GAA1/IO01RSB0	F15	IO85NPB1
A13	IO48RSB0	D6	IO15RSB0	F16	IO84PPB1
A14	IO58RSB0	D7	IO19RSB0	F17	IO83NPB1
A15	IO61RSB0	D8	IO27RSB0	F18	GND
A16	IO62RSB0	D9	IO32RSB0	F19	IO90PPB1
A17	GBC1/IO73RSB0	D10	GND	G1	IO212NPB3
A18	GBA0/IO76RSB0	D11	IO38RSB0	G2	IO211NDB3
A19	GND	D12	IO44RSB0	G4	IO214PPB3
B1	GAA2/IO225PPB3	D13	IO47RSB0	G5	IO212PPB3
B2	V _{CC} B0	D14	IO60RSB0	G7	GAC2/IO223PPB3
B3	GAB1/IO03RSB0	D15	GBB0/IO74RSB0	G8	V _{CC} B0
B4	GAC0/IO04RSB0	D16	GBA2/IO78PPB1	G9	IO30RSB0
B5	IO12RSB0	D18	GBC2/IO80PPB1	G10	IO37RSB0
B6	GND	D19	IO88NPB1	G11	IO43RSB0
B7	IO21RSB0	E1	IO217NPB3	G12	V _{CC} B0
B8	IO26RSB0	E2	IO221PPB3	G13	IO88PPB1
B9	IO34RSB0	E4	IO221NPB3	G15	IO89NDB1
B10	IO35RSB0	E5	IO10RSB0	G16	IO89PDB1
B11	IO36RSB0	E6	IO14RSB0	G18	GCC0/IO91NPB1
B12	IO46RSB0	E7	IO25RSB0	G19	GCB1/IO92PPB1
B13	IO52RSB0	E8	IO28RSB0	H1	GFB0/IO208NPB3
B14	GND	E9	IO31RSB0	H2	IO211PDB3
B15	IO59RSB0	E10	IO33RSB0	H4	GFC1/IO209PPB3
B16	GBC0/IO72RSB0	E11	IO42RSB0	H5	GFB1/IO208PPB3
B17	GBA1/IO77RSB0	E12	IO49RSB0	H7	V _{CC} B3

281-Pin CSP		281-Pin CSP		281-Pin CSP	
Pin Number	AGL1000 Function	Pin Number	AGL1000 Function	Pin Number	AGL1000 Function
H8	V _{CC}	K15	IO95NPB1	N4	IO196PPB3
H9	V _{CC} B0	K16	GND	N5	IO197NPB3
H10	V _{CC}	K18	IO96NPB1	N7	GEA2/IO187RSB2
H11	V _{CC} B0	K19	V _{CC} B1	N8	V _{CC} B2
H12	V _{CC}	L1	GFB2/IO205PDB3	N9	IO155RSB2
H13	V _{CC} B1	L2	IO205NDB3	N10	IO154RSB2
H15	IO90NPB1	L4	GFC2/IO204PPB3	N11	IO150RSB2
H16	GCB0/IO92NPB1	L5	IO203PPB3	N12	V _{CC} B2
H18	GCA1/IO93PPB1	L7	IO203NPB3	N13	V _{PUMP}
H19	GCA2/IO94PPB1	L8	V _{CC} B3	N15	IO107PPB1
J1	V _{COMPLF}	L9	GND	N16	IO105PPB1
J2	GFA0/IO207NDB3	L10	GND	N18	IO107NPB1
J4	V _{CC} PLF	L11	GND	N19	IO100PPB1
J5	GFC0/IO209NPB3	L12	V _{CC} B1	P1	IO195PDB3
J7	GFA2/IO206PDB3	L13	IO103PPB1	P2	GND
J8	V _{CC} B3	L15	IO103NPB1	P3	IO195NDB3
J9	GND	L16	IO97PPB1	P4	IO194PPB3
J10	GND	L18	IO98NPB1	P5	GEA0/IO188NPB3
J11	GND	L19	IO97NPB1	P15	IO108NDB1
J12	V _{CC} B1	M1	IO202PDB3	P16	IO108PDB1
J13	GCC1/IO91PPB1	M2	IO202NDB3	P17	GDC1/IO111PPB1
J15	GCA0/IO93NPB1	M4	IO201NPB3	P18	GND
J16	GCB2/IO95PPB1	M5	IO198PPB3	P19	IO105NPB1
J18	IO94NPB1	M7	V _{CC} B3	R1	IO196NPB3
J19	IO102PSB1	M8	V _{CC}	R2	IO194NPB3
K1	V _{CC} B3	M9	V _{CC} B2	R4	GEC1/IO190PPB3
K2	GFA1/IO207PDB3	M10	V _{CC}	R5	GEB1/IO189PPB3
K4	GND	M11	V _{CC} B2	R6	IO184RSB2
K5	IO204NPB3	M12	V _{CC}	R7	IO173RSB2
K7	IO206NDB3	M13	V _{CC} B1	R8	IO168RSB2
K8	V _{CC}	M15	IO104NPB1	R9	IO160RSB2
K9	GND	M16	IO100NPB1	R10	IO151RSB2
K10	GND	M18	IO104PPB1	R11	IO141RSB2
K11	GND	M19	IO98PPB1	R12	IO136RSB2
K12	V _{CC}	N1	IO201PPB3	R13	IO127RSB2
K13	GCC2/IO96PPB1	N2	IO198NPB3	R14	IO124RSB2

281-Pin CSP		281-Pin CSP	
Pin Number	AGL1000 Function	Pin Number	AGL1000 Function
R15	IO122RSB2	V10	IO145RSB2
R16	GDA1/IO113PPB1	V11	IO144RSB2
R18	GDB0/IO112NPB1	V12	IO134RSB2
R19	GDC0/IO111NPB1	V13	IO133RSB2
T1	IO197PPB3	V14	GND
T2	GEC0/IO190NPB3	V15	IO119RSB2
T4	GEB0/IO189NPB3	V16	GDA2/IO114RSB2
T5	IO181RSB2	V17	TDI
T6	IO172RSB2	V18	V _{CC} B2
T7	IO171RSB2	V19	TDO
T8	IO156RSB2	W1	GND
T9	IO159RSB2	W2	FF/GEB2/IO186RSB2
T10	GND	W3	IO183RSB2
T11	IO139RSB2	W4	IO176RSB2
T12	IO138RSB2	W5	IO170RSB2
T13	IO129RSB2	W6	IO162RSB2
T14	IO123RSB2	W7	IO157RSB2
T15	GDC2/IO116RSB2	W8	IO152RSB2
T16	TMS	W9	IO149RSB2
T18	V _{JTAG}	W10	V _{CC} B2
T19	GDB1/IO112PPB1	W11	IO140RSB2
U1	IO193PDB3	W12	IO135RSB2
U2	GEA1/IO188PPB3	W13	IO130RSB2
U6	IO167RSB2	W14	IO125RSB2
U14	IO128RSB2	W15	IO120RSB2
U18	TRST	W16	IO118RSB2
U19	GDA0/IO113NPB1	W17	GDB2/IO115RSB2
V1	IO193NDB3	W18	TCK
V2	V _{CC} B3	W19	GND
V3	GEC2/IO185RSB2		
V4	IO182RSB2		
V5	IO175RSB2		
V6	GND		
V7	IO161RSB2		
V8	IO143RSB2		
V9	IO146RSB2		

48-Pin QFN



Notes:

1. This is the bottom view of the package.
2. The die attach paddle center of the package is tied to ground (GND).

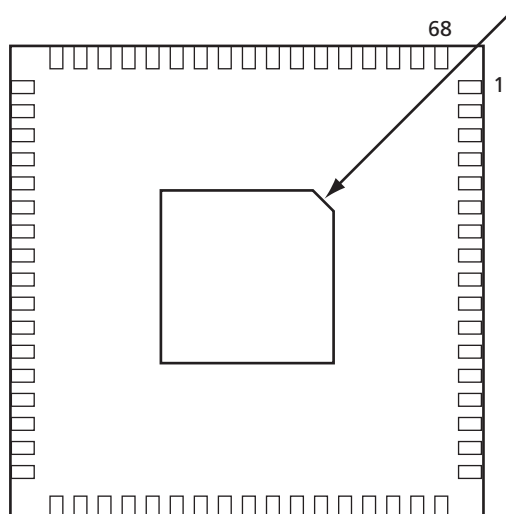
Note

For Package Manufacturing and Environmental information, visit the Resource Center at <http://www.actel.com/products/solutions/package/docs.aspx>.

48-Pin QFP	
Pin Number	AGL030 Function
1	IO82RSB1
2	GEC0/IO73RSB1
3	GEA0/IO72RSB1
4	GEB0/IO71RSB1
5	GND
6	V _{CC} B1
7	IO68RSB1
8	IO67RSB1
9	IO66RSB1
10	IO65RSB1
11	IO64RSB1
12	IO62RSB1
13	IO61RSB1
14	FF/IO60RSB1
15	IO57RSB1
16	IO55RSB1
17	IO53RSB1
18	V _{CC}
19	V _{CC} B1
20	IO46RSB1
21	IO42RSB1
22	TCK
23	TDI
24	TMS
25	V _{PUMP}
26	TDO
27	TRST
28	V _{JTAG}
29	IO38RSB0
30	GDB0/IO34RSB0
31	GDA0/IO33RSB0
32	GDC0/IO32RSB0
33	V _{CC} B0
34	GND
35	V _{CC}
36	IO25RSB0

48-Pin QFP	
Pin Number	AGL030 Function
37	IO24RSB0
38	IO22RSB0
39	IO20RSB0
40	IO18RSB0
41	IO16RSB0
42	IO14RSB0
43	IO10RSB0
44	IO08RSB0
45	IO06RSB0
46	IO04RSB0
47	IO02RSB0
48	IO00RSB0

68-Pin QFN



Notes:

1. *This is the bottom view of the package.*
2. *The die attach paddle center of the package is tied to ground (GND).*

Note

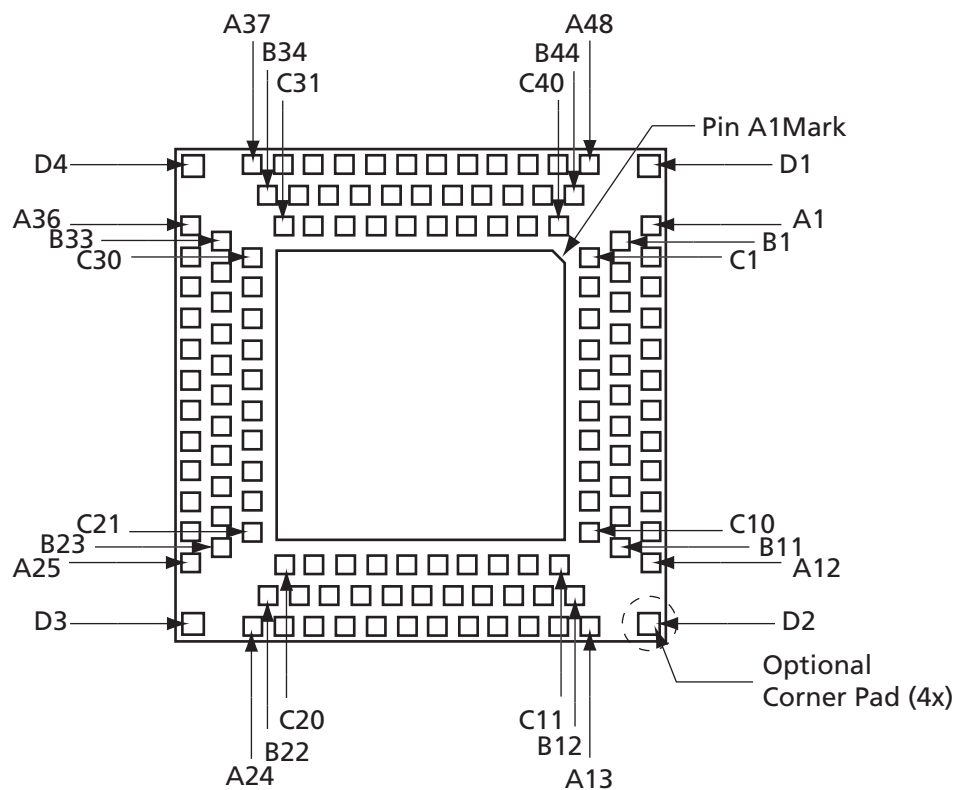
For Package Manufacturing and Environmental information, visit the Resource Center at <http://www.actel.com/products/solutions/package/docs.aspx>.

68-Pin QFN		68-Pin QFN	
Pin Number	AGL015 Function	Pin Number	AGL015 Function
1	IO82RSB1	37	TRST
2	IO80RSB1	38	V _{JTAG}
3	IO78RSB1	39	IO40RSB0
4	IO76RSB1	40	IO37RSB0
5	GEC0/IO73RSB1	41	GDB0/IO34RSB0
6	GEA0/IO72RSB1	42	GDA0/IO33RSB0
7	GEB0/IO71RSB1	43	GDC0/IO32RSB0
8	V _{CC}	44	V _{CC} B0
9	GND	45	GND
10	V _{CC} B1	46	V _{CC}
11	IO68RSB1	47	IO31RSB0
12	IO67RSB1	48	IO29RSB0
13	IO66RSB1	49	IO28RSB0
14	IO65RSB1	50	IO27RSB0
15	IO64RSB1	51	IO25RSB0
16	IO63RSB1	52	IO24RSB0
17	IO62RSB1	53	IO22RSB0
18	FF/IO60RSB1	54	IO21RSB0
19	IO58RSB1	55	IO19RSB0
20	IO56RSB1	56	IO17RSB0
21	IO54RSB1	57	IO15RSB0
22	IO52RSB1	58	IO14RSB0
23	IO51RSB1	59	V _{CC} B0
24	V _{CC}	60	GND
25	GND	61	V _{CC}
26	V _{CC} B1	62	IO12RSB0
27	IO50RSB1	63	IO10RSB0
28	IO48RSB1	64	IO08RSB0
29	IO46RSB1	65	IO06RSB0
30	IO44RSB1	66	IO04RSB0
31	IO42RSB1	67	IO02RSB0
32	TCK	68	IO00RSB0
33	TDI		
34	TMS		
35	V _{PUMP}		
36	TDO		

68-Pin QFN		68-Pin QFN	
Pin Number	AGL015 Function	Pin Number	AGL015 Function
1	IO82RSB1	37	TRST
2	IO80RSB1	38	V _{JTAG}
3	IO78RSB1	39	IO40RSB0
4	IO76RSB1	40	IO37RSB0
5	GEC0/IO73RSB1	41	GDB0/IO34RSB0
6	GEA0/IO72RSB1	42	GDA0/IO33RSB0
7	GEB0/IO71RSB1	43	GDC0/IO32RSB0
8	V _{CC}	44	V _{CC} B0
9	GND	45	GND
10	V _{CC} B1	46	V _{CC}
11	IO68RSB1	47	IO31RSB0
12	IO67RSB1	48	IO29RSB0
13	IO66RSB1	49	IO28RSB0
14	IO65RSB1	50	IO27RSB0
15	IO64RSB1	51	IO25RSB0
16	IO63RSB1	52	IO24RSB0
17	IO62RSB1	53	IO22RSB0
18	FF/IO60RSB1	54	IO21RSB0
19	IO58RSB1	55	IO19RSB0
20	IO56RSB1	56	IO17RSB0
21	IO54RSB1	57	IO15RSB0
22	IO52RSB1	58	IO14RSB0
23	IO51RSB1	59	V _{CC} B0
24	V _{CC}	60	GND
25	GND	61	V _{CC}
26	V _{CC} B1	62	IO12RSB0
27	IO50RSB1	63	IO10RSB0
28	IO48RSB1	64	IO08RSB0
29	IO46RSB1	65	IO06RSB0
30	IO44RSB1	66	IO04RSB0
31	IO42RSB1	67	IO02RSB0
32	TCK	68	IO00RSB0
33	TDI		
34	TMS		
35	V _{PUMP}		
36	TDO		

68-Pin QFN		68-Pin QFN	
Pin Number	AGL030 Function	Pin Number	AGL030 Function
1	IO82RSB1	37	TRST
2	IO80RSB1	38	V _{JTAG}
3	IO78RSB1	39	IO40RSB0
4	IO76RSB1	40	IO37RSB0
5	GEC0/IO73RSB1	41	GDB0/IO34RSB0
6	GEA0/IO72RSB1	42	GDA0/IO33RSB0
7	GEB0/IO71RSB1	43	GDC0/IO32RSB0
8	V _{CC}	44	V _{CC} B0
9	GND	45	GND
10	V _{CC} B1	46	V _{CC}
11	IO68RSB1	47	IO31RSB0
12	IO67RSB1	48	IO29RSB0
13	IO66RSB1	49	IO28RSB0
14	IO65RSB1	50	IO27RSB0
15	IO64RSB1	51	IO25RSB0
16	IO63RSB1	52	IO24RSB0
17	IO62RSB1	53	IO22RSB0
18	FF/IO60RSB1	54	IO21RSB0
19	IO58RSB1	55	IO19RSB0
20	IO56RSB1	56	IO17RSB0
21	IO54RSB1	57	IO15RSB0
22	IO52RSB1	58	IO14RSB0
23	IO51RSB1	59	V _{CC} B0
24	V _{CC}	60	GND
25	GND	61	V _{CC}
26	V _{CC} B1	62	IO12RSB0
27	IO50RSB1	63	IO10RSB0
28	IO48RSB1	64	IO08RSB0
29	IO46RSB1	65	IO06RSB0
30	IO44RSB1	66	IO04RSB0
31	IO42RSB1	67	IO02RSB0
32	TCK	68	IO00RSB0
33	TDI		
34	TMS		
35	V _{PUMP}		
36	TDO		

132-Pin QFN



Notes:

1. This is the bottom view of the package.
2. The die attach paddle center of the package is tied to ground (GND).

Note

For Package Manufacturing and Environmental information, visit the Resource Center at <http://www.actel.com/products/solutions/package/docs.aspx>.

132-Pin QFN		132-Pin QFN		132-Pin QFN	
Pin Number	AGL030 Function	Pin Number	AGL030 Function	Pin Number	AGL030 Function
A1	IO80RSB1	A37	IO22RSB0	B25	GND
A2	IO77RSB1	A38	IO19RSB0	B26	NC
A3	NC	A39	NC	B27	IO37RSB0
A4	IO76RSB1	A40	IO18RSB0	B28	GND
A5	GEC0/IO73RSB1	A41	IO16RSB0	B29	GDA0/IO33RSB0
A6	NC	A42	IO14RSB0	B30	NC
A7	GEB0/IO71RSB1	A43	V _{CC}	B31	GND
A8	IO69RSB1	A44	IO11RSB0	B32	IO29RSB0
A9	NC	A45	IO08RSB0	B33	IO26RSB0
A10	V _{CC}	A46	IO06RSB0	B34	IO23RSB0
A11	IO67RSB1	A47	IO05RSB0	B35	IO20RSB0
A12	IO64RSB1	A48	IO02RSB0	B36	GND
A13	IO59RSB1	B1	IO81RSB1	B37	IO17RSB0
A14	IO56RSB1	B2	IO78RSB1	B38	IO15RSB0
A15	NC	B3	GND	B39	GND
A16	IO55RSB1	B4	IO75RSB1	B40	IO12RSB0
A17	IO53RSB1	B5	NC	B41	IO09RSB0
A18	V _{CC}	B6	GND	B42	GND
A19	IO50RSB1	B7	IO70RSB1	B43	IO04RSB0
A20	IO48RSB1	B8	NC	B44	IO01RSB0
A21	IO45RSB1	B9	GND	C1	IO82RSB1
A22	IO44RSB1	B10	IO66RSB1	C2	IO79RSB1
A23	IO43RSB1	B11	IO63RSB1	C3	NC
A24	TDI	B12	FF/IO60RSB1	C4	IO74RSB1
A25	TRST	B13	IO57RSB1	C5	GEA0/IO72RSB1
A26	IO40RSB0	B14	GND	C6	NC
A27	NC	B15	IO54RSB1	C7	NC
A28	IO39RSB0	B16	IO52RSB1	C8	V _{CC} B1
A29	IO38RSB0	B17	GND	C9	IO65RSB1
A30	IO36RSB0	B18	IO49RSB1	C10	IO62RSB1
A31	IO35RSB0	B19	IO46RSB1	C11	IO61RSB1
A32	GDC0/IO32RSB0	B20	GND	C12	IO58RSB1
A33	NC	B21	IO42RSB1	C13	NC
A34	V _{CC}	B22	TMS	C14	NC
A35	IO30RSB0	B23	TDO	C15	IO51RSB1
A36	IO27RSB0	B24	IO41RSB0	C16	V _{CC} B1

132-Pin QFN	
Pin Number	AGL030 Function
C17	IO47RSB1
C18	NC
C19	TCK
C20	NC
C21	V _{PUMP}
C22	V _{JTAG}
C23	NC
C24	NC
C25	NC
C26	GDB0/IO34RSB0
C27	NC
C28	V _{CC1} B0
C29	IO28RSB0
C30	IO25RSB0
C31	IO24RSB0
C32	IO21RSB0
C33	NC
C34	NC
C35	V _{CC1} B0
C36	IO13RSB0
C37	IO10RSB0
C38	IO07RSB0
C39	IO03RSB0
C40	IO00RSB0
D1	GND
D2	GND
D3	GND
D4	GND

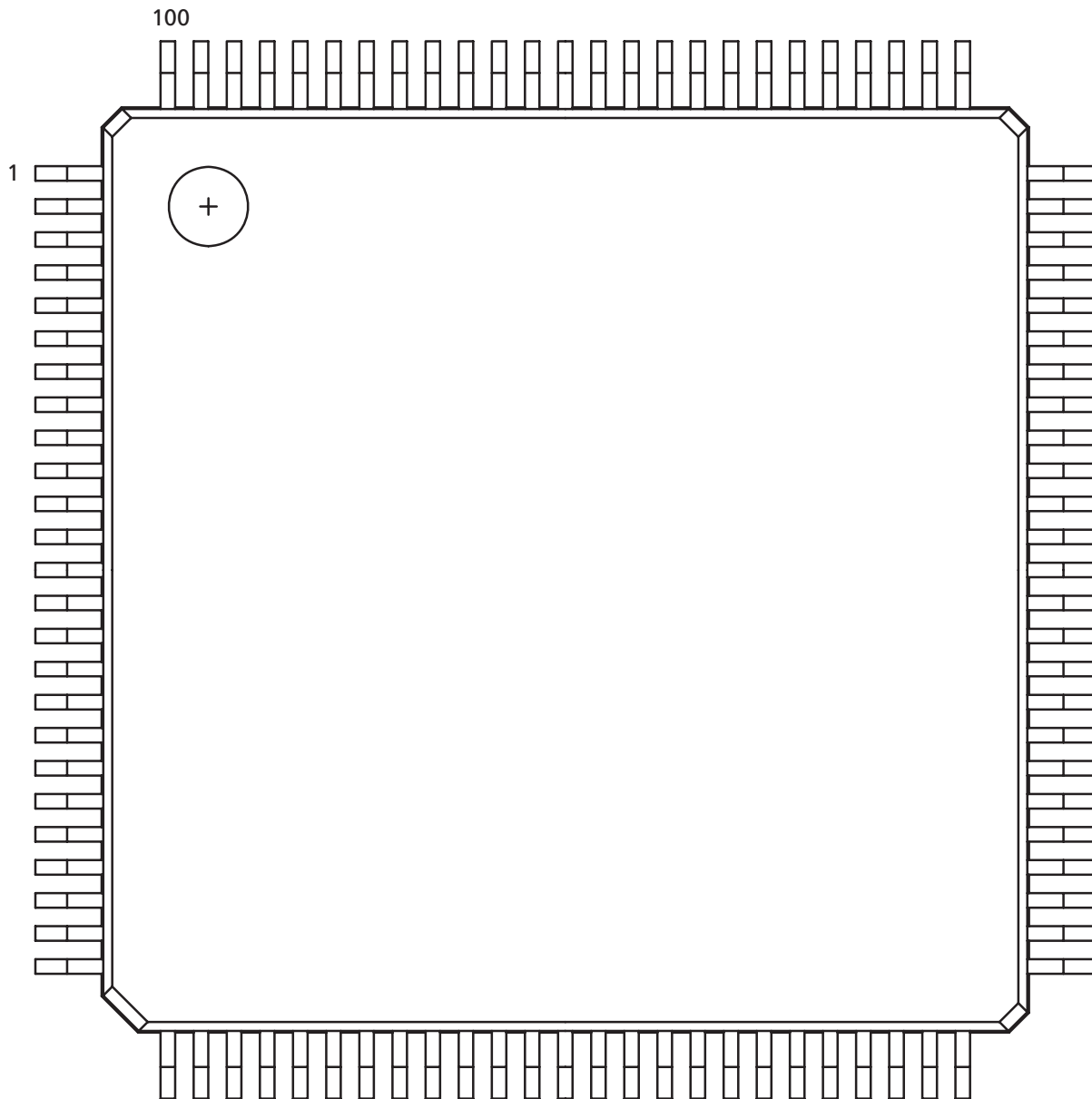
132-Pin QFN		132-Pin QFN		132-Pin QFN	
Pin Number	AGL060 Function	Pin Number	AGL060 Function	Pin Number	AGL060 Function
A1	GAB2/IO00RSB1	A37	GBB1/IO25RSB0	B25	GND
A2	IO93RSB1	A38	GBC0/IO22RSB0	B26	NC
A3	V _{CC} B1	A39	V _{CC} B0	B27	GCB2/IO45RSB0
A4	GFC1/IO89RSB1	A40	IO21RSB0	B28	GND
A5	GFB0/IO86RSB1	A41	IO18RSB0	B29	GCB0/IO41RSB0
A6	V _{CC} PLF	A42	IO15RSB0	B30	GCC1/IO38RSB0
A7	GFA1/IO84RSB1	A43	IO14RSB0	B31	GND
A8	GFC2/IO81RSB1	A44	IO11RSB0	B32	GBB2/IO30RSB0
A9	IO78RSB1	A45	GAB1/IO08RSB0	B33	VMV0
A10	V _{CC}	A46	NC	B34	GBA0/IO26RSB0
A11	GEB1/IO75RSB1	A47	GAB0/IO07RSB0	B35	GBC1/IO23RSB0
A12	GEA0/IO72RSB1	A48	IO04RSB0	B36	GND
A13	GEC2/IO69RSB1	B1	IO01RSB1	B37	IO20RSB0
A14	IO65RSB1	B2	GAC2/IO94RSB1	B38	IO17RSB0
A15	V _{CC}	B3	GND	B39	GND
A16	IO64RSB1	B4	GFC0/IO88RSB1	B40	IO12RSB0
A17	IO63RSB1	B5	V _{CC} COMPLF	B41	GAC0/IO09RSB0
A18	IO62RSB1	B6	GND	B42	GND
A19	IO61RSB1	B7	GFB2/IO82RSB1	B43	GAA1/IO06RSB0
A20	IO58RSB1	B8	IO79RSB1	B44	GNDQ
A21	GDB2/IO55RSB1	B9	GND	C1	GAA2/IO02RSB1
A22	NC	B10	GEB0/IO74RSB1	C2	IO95RSB1
A23	GDA2/IO54RSB1	B11	VMV1	C3	V _{CC}
A24	TDI	B12	FF/GEB2/IO70RSB1	C4	GFB1/IO87RSB1
A25	TRST	B13	IO67RSB1	C5	GFA0/IO85RSB1
A26	GDC1/IO48RSB0	B14	GND	C6	GFA2/IO83RSB1
A27	V _{CC}	B15	NC	C7	IO80RSB1
A28	IO47RSB0	B16	NC	C8	V _{CC} B1
A29	GCC2/IO46RSB0	B17	GND	C9	GEA1/IO73RSB1
A30	GCA2/IO44RSB0	B18	IO59RSB1	C10	GNDQ
A31	GCA0/IO43RSB0	B19	GDC2/IO56RSB1	C11	GEA2/IO71RSB1
A32	GCB1/IO40RSB0	B20	GND	C12	IO68RSB1
A33	IO36RSB0	B21	GNDQ	C13	V _{CC} B1
A34	V _{CC}	B22	TMS	C14	NC
A35	IO31RSB0	B23	TDO	C15	NC
A36	GBA2/IO28RSB0	B24	GDC0/IO49RSB0	C16	IO60RSB1

132-Pin QFN	
Pin Number	AGL060 Function
C17	IO57RSB1
C18	NC
C19	TCK
C20	VMV1
C21	V _{PUMP}
C22	V _{JTAG}
C23	V _{CCi} B0
C24	NC
C25	NC
C26	GCA1/IO42RSB0
C27	GCC0/IO39RSB0
C28	V _{CCi} B0
C29	IO29RSB0
C30	GNDQ
C31	GBA1/IO27RSB0
C32	GBB0/IO24RSB0
C33	V _{CC}
C34	IO19RSB0
C35	IO16RSB0
C36	IO13RSB0
C37	GAC1/IO10RSB0
C38	NC
C39	GAA0/IO05RSB0
C40	VMV0
D1	GND
D2	GND
D3	GND
D4	GND

132-Pin QFN		132-Pin QFN		132-Pin QFN	
Pin Number	AGL125 Function	Pin Number	AGL125 Function	Pin Number	AGL125 Function
A1	GAB2/IO69RSB1	A37	GBB1/IO38RSB0	B25	GND
A2	IO130RSB1	A38	GBC0/IO35RSB0	B26	NC
A3	V _{CC} B1	A39	V _{CC} B0	B27	GCB2/IO58RSB0
A4	GFC1/IO126RSB1	A40	IO28RSB0	B28	GND
A5	GFB0/IO123RSB1	A41	IO22RSB0	B29	GCB0/IO54RSB0
A6	V _{CC} PLF	A42	IO18RSB0	B30	GCC1/IO51RSB0
A7	GFA1/IO121RSB1	A43	IO14RSB0	B31	GND
A8	GFC2/IO118RSB1	A44	IO11RSB0	B32	GBB2/IO43RSB0
A9	IO115RSB1	A45	IO07RSB0	B33	VMV0
A10	V _{CC}	A46	V _{CC}	B34	GBA0/IO39RSB0
A11	GEB1/IO110RSB1	A47	GAC1/IO05RSB0	B35	GBC1/IO36RSB0
A12	GEA0/IO107RSB1	A48	GAB0/IO02RSB0	B36	GND
A13	GEC2/IO104RSB1	B1	IO68RSB1	B37	IO26RSB0
A14	IO100RSB1	B2	GAC2/IO131RSB1	B38	IO21RSB0
A15	V _{CC}	B3	GND	B39	GND
A16	IO99RSB1	B4	GFC0/IO125RSB1	B40	IO13RSB0
A17	IO96RSB1	B5	V _{CC} OMPLF	B41	IO08RSB0
A18	IO94RSB1	B6	GND	B42	GND
A19	IO91RSB1	B7	GFB2/IO119RSB1	B43	GAC0/IO04RSB0
A20	IO85RSB1	B8	IO116RSB1	B44	GNDQ
A21	IO79RSB1	B9	GND	C1	GAA2/IO67RSB1
A22	V _{CC}	B10	GEB0/IO109RSB1	C2	IO132RSB1
A23	GDB2/IO71RSB1	B11	VMV1	C3	V _{CC}
A24	TDI	B12	FF/GEB2/IO105RSB1	C4	GFB1/IO124RSB1
A25	TRST	B13	IO101RSB1	C5	GFA0/IO122RSB1
A26	GDC1/IO61RSB0	B14	GND	C6	GFA2/IO120RSB1
A27	V _{CC}	B15	IO98RSB1	C7	IO117RSB1
A28	IO60RSB0	B16	IO95RSB1	C8	V _{CC} B1
A29	GCC2/IO59RSB0	B17	GND	C9	GEA1/IO108RSB1
A30	GCA2/IO57RSB0	B18	IO87RSB1	C10	GNDQ
A31	GCA0/IO56RSB0	B19	IO81RSB1	C11	GEA2/IO106RSB1
A32	GCB1/IO53RSB0	B20	GND	C12	IO103RSB1
A33	IO49RSB0	B21	GNDQ	C13	V _{CC} B1
A34	V _{CC}	B22	TMS	C14	IO97RSB1
A35	IO44RSB0	B23	TDO	C15	IO93RSB1
A36	GBA2/IO41RSB0	B24	GDC0/IO62RSB0	C16	IO89RSB1

132-Pin QFN	
Pin Number	AGL125 Function
C17	IO83RSB1
C18	V _{CCI} B1
C19	TCK
C20	VMV1
C21	V _{PUMP}
C22	V _{JTAG}
C23	V _{CCI} B0
C24	NC
C25	NC
C26	GCA1/IO55RSB0
C27	GCC0/IO52RSB0
C28	V _{CCI} B0
C29	IO42RSB0
C30	GNDQ
C31	GBA1/IO40RSB0
C32	GBB0/IO37RSB0
C33	V _{CC}
C34	IO24RSB0
C35	IO19RSB0
C36	IO16RSB0
C37	IO10RSB0
C38	V _{CCI} B0
C39	GAB1/IO03RSB0
C40	VMV0
D1	GND
D2	GND
D3	GND
D4	GND

100-Pin VQFP



Note: This is the top view of the package.

Note

For Package Manufacturing and Environmental information, visit the Resource Center at <http://www.actel.com/products/solutions/package/docs.aspx>.

100-Pin VQFP		100-Pin VQFP		100-Pin VQFP	
Pin Number	AGL030 Function	Pin Number	AGL030 Function	Pin Number	AGL030 Function
1	GND	37	V _{CC}	73	IO27RSB0
2	IO82RSB1	38	GND	74	IO26RSB0
3	IO81RSB1	39	V _{CC} B1	75	IO25RSB0
4	IO80RSB1	40	IO49RSB1	76	IO24RSB0
5	IO79RSB1	41	IO47RSB1	77	IO23RSB0
6	IO78RSB1	42	IO46RSB1	78	IO22RSB0
7	IO77RSB1	43	IO45RSB1	79	IO21RSB0
8	IO76RSB1	44	IO44RSB1	80	IO20RSB0
9	GND	45	IO43RSB1	81	IO19RSB0
10	IO75RSB1	46	IO42RSB1	82	IO18RSB0
11	IO74RSB1	47	TCK	83	IO17RSB0
12	GEC0/IO73RSB1	48	TDI	84	IO16RSB0
13	GEA0/IO72RSB1	49	TMS	85	IO15RSB0
14	GEB0/IO71RSB1	50	NC	86	IO14RSB0
15	IO70RSB1	51	GND	87	V _{CC} B0
16	IO69RSB1	52	V _{PUMP}	88	GND
17	V _{CC}	53	NC	89	V _{CC}
18	V _{CC} B1	54	TDO	90	IO12RSB0
19	IO68RSB1	55	TRST	91	IO10RSB0
20	IO67RSB1	56	V _{JTAG}	92	IO08RSB0
21	IO66RSB1	57	IO41RSB0	93	IO07RSB0
22	IO65RSB1	58	IO40RSB0	94	IO06RSB0
23	IO64RSB1	59	IO39RSB0	95	IO05RSB0
24	IO63RSB1	60	IO38RSB0	96	IO04RSB0
25	IO62RSB1	61	IO37RSB0	97	IO03RSB0
26	IO61RSB1	62	IO36RSB0	98	IO02RSB0
27	FF/IO60RSB1	63	GDB0/IO34RSB0	99	IO01RSB0
28	IO59RSB1	64	GDA0/IO33RSB0	100	IO00RSB0
29	IO58RSB1	65	GDC0/IO32RSB0		
30	IO57RSB1	66	V _{CC} B0		
31	IO56RSB1	67	GND		
32	IO55RSB1	68	V _{CC}		
33	IO54RSB1	69	IO31RSB0		
34	IO53RSB1	70	IO30RSB0		
35	IO52RSB1	71	IO29RSB0		
36	IO51RSB1	72	IO28RSB0		

100-Pin VQFP		100-Pin VQFP		100-Pin VQFP	
Pin Number	AGL060 Function	Pin Number	AGL060 Function	Pin Number	AGL060 Function
1	GND	37	V _{CC}	73	GBA2/IO25RSB0
2	GAA2/IO51RSB1	38	GND	74	VMV0
3	IO52RSB1	39	V _{CC} B1	75	GNDQ
4	GAB2/IO53RSB1	40	IO60RSB1	76	GBA1/IO24RSB0
5	IO95RSB1	41	IO59RSB1	77	GBA0/IO23RSB0
6	GAC2/IO94RSB1	42	IO58RSB1	78	GBB1/IO22RSB0
7	IO93RSB1	43	IO57RSB1	79	GBB0/IO21RSB0
8	IO92RSB1	44	GDC2/IO56RSB1	80	GBC1/IO20RSB0
9	GND	45	GDB2/IO55RSB1	81	GBC0/IO19RSB0
10	GFB1/IO87RSB1	46	GDA2/IO54RSB1	82	IO18RSB0
11	GFB0/IO86RSB1	47	TCK	83	IO17RSB0
12	V _{COMPLF}	48	TDI	84	IO15RSB0
13	GFA0/IO85RSB1	49	TMS	85	IO13RSB0
14	V _{CC} PLF	50	VMV1	86	IO11RSB0
15	GFA1/IO84RSB1	51	GND	87	V _{CC} B0
16	GFA2/IO83RSB1	52	V _{PUMP}	88	GND
17	V _{CC}	53	NC	89	V _{CC}
18	V _{CC} B1	54	TDO	90	IO10RSB0
19	GEC1/IO77RSB1	55	TRST	91	IO09RSB0
20	GEB1/IO75RSB1	56	V _{JTAG}	92	IO08RSB0
21	GEB0/IO74RSB1	57	GDA1/IO49RSB0	93	GAC1/IO07RSB0
22	GEA1/IO73RSB1	58	GDC0/IO46RSB0	94	GAC0/IO06RSB0
23	GEA0/IO72RSB1	59	GDC1/IO45RSB0	95	GAB1/IO05RSB0
24	VMV1	60	GCC2/IO43RSB0	96	GAB0/IO04RSB0
25	GNDQ	61	GCB2/IO42RSB0	97	GAA1/IO03RSB0
26	GEA2/IO71RSB1	62	GCA0/IO40RSB0	98	GAA0/IO02RSB0
27	FF/GEB2/IO70RSB1	63	GCA1/IO39RSB0	99	IO01RSB0
28	GEC2/IO69RSB1	64	GCC0/IO36RSB0	100	IO00RSB0
29	IO68RSB1	65	GCC1/IO35RSB0		
30	IO67RSB1	66	V _{CC} B0		
31	IO66RSB1	67	GND		
32	IO65RSB1	68	V _{CC}		
33	IO64RSB1	69	IO31RSB0		
34	IO63RSB1	70	GBC2/IO29RSB0		
35	IO62RSB1	71	GBB2/IO27RSB0		
36	IO61RSB1	72	IO26RSB0		

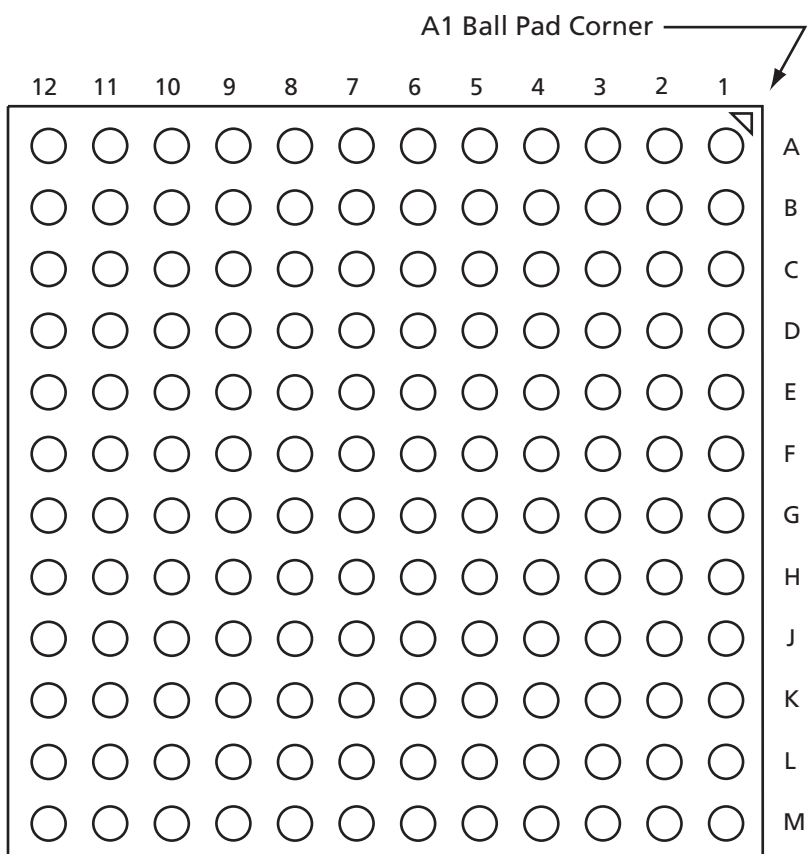
100-Pin VQFP	
Pin Number	AGL125 Function
1	GND
2	GAA2/IO67RSB1
3	IO68RSB1
4	GAB2/IO69RSB1
5	IO132RSB1
6	GAC2/IO131RSB1
7	IO130RSB1
8	IO129RSB1
9	GND
10	GFB1/IO124RSB1
11	GFB0/IO123RSB1
12	V _{COMPLF}
13	GFA0/IO122RSB1
14	V _{CCPLF}
15	GFA1/IO121RSB1
16	GFA2/IO120RSB1
17	V _{CC}
18	V _{CC1B1}
19	GEC0/IO111RSB1
20	GEB1/IO110RSB1
21	GEB0/IO109RSB1
22	GEA1/IO108RSB1
23	GEA0/IO107RSB1
24	VMV1
25	GNDQ
26	GEA2/IO106RSB1
27	FF/GEB2/IO105RSB1
28	GEC2/IO104RSB1
29	IO102RSB1
30	IO100RSB1
31	IO99RSB1
32	IO97RSB1
33	IO96RSB1
34	IO95RSB1
35	IO94RSB1
36	IO93RSB1

100-Pin VQFP	
Pin Number	AGL125 Function
37	V _{CC}
38	GND
39	V _{CC1B1}
40	IO87RSB1
41	IO84RSB1
42	IO81RSB1
43	IO75RSB1
44	GDC2/IO72RSB1
45	GDB2/IO71RSB1
46	GDA2/IO70RSB1
47	TCK
48	TDI
49	TMS
50	VMV1
51	GND
52	V _{PUMP}
53	NC
54	TDO
55	TRST
56	V _{JTAG}
57	GDA1/IO65RSB0
58	GDC0/IO62RSB0
59	GDC1/IO61RSB0
60	GCC2/IO59RSB0
61	GCB2/IO58RSB0
62	GCA0/IO56RSB0
63	GCA1/IO55RSB0
64	GCC0/IO52RSB0
65	GCC1/IO51RSB0
66	V _{CC1B0}
67	GND
68	V _{CC}
69	IO47RSB0
70	GBC2/IO45RSB0
71	GBB2/IO43RSB0
72	IO42RSB0

100-Pin VQFP	
Pin Number	AGL125 Function
73	GBA2/IO41RSB0
74	VMV0
75	GNDQ
76	GBA1/IO40RSB0
77	GBA0/IO39RSB0
78	GBB1/IO38RSB0
79	GBB0/IO37RSB0
80	GBC1/IO36RSB0
81	GBC0/IO35RSB0
82	IO32RSB0
83	IO28RSB0
84	IO25RSB0
85	IO22RSB0
86	IO19RSB0
87	V _{CC1B0}
88	GND
89	V _{CC}
90	IO15RSB0
91	IO13RSB0
92	IO11RSB0
93	IO09RSB0
94	IO07RSB0
95	GAC1/IO05RSB0
96	GAC0/IO04RSB0
97	GAB1/IO03RSB0
98	GAB0/IO02RSB0
99	GAA1/IO01RSB0
100	GAA0/IO00RSB0

100-Pin VQFP		100-Pin VQFP		100-Pin VQFP	
Pin Number	AGL250 Function	Pin Number	AGL250 Function	Pin Number	AGL250 Function
1	GND	37	V _{CC}	73	GBA2/IO41PDB1
2	GAA2/IO118UDB3	38	GND	74	VMV1
3	IO118VDB3	39	V _{CC} B2	75	GNDQ
4	GAB2/IO117UDB3	40	IO77RSB2	76	GBA1/IO40RSB0
5	IO117VDB3	41	IO74RSB2	77	GBA0/IO39RSB0
6	GAC2/IO116UDB3	42	IO71RSB2	78	GBB1/IO38RSB0
7	IO116VDB3	43	GDC2/IO63RSB2	79	GBB0/IO37RSB0
8	IO112PSB3	44	GDB2/IO62RSB2	80	GBC1/IO36RSB0
9	GND	45	GDA2/IO61RSB2	81	GBC0/IO35RSB0
10	GFB1/IO109PDB3	46	GNDQ	82	IO29RSB0
11	GFB0/IO109NDB3	47	TCK	83	IO27RSB0
12	V _{COMPLF}	48	TDI	84	IO25RSB0
13	GFA0/IO108NPB3	49	TMS	85	IO23RSB0
14	V _{CCPLF}	50	VMV2	86	IO21RSB0
15	GFA1/IO108PPB3	51	GND	87	V _{CC} B0
16	GFA2/IO107PSB3	52	V _{PUMP}	88	GND
17	V _{CC}	53	NC	89	V _{CC}
18	V _{CC} B3	54	TDO	90	IO15RSB0
19	GFC2/IO105PSB3	55	TRST	91	IO13RSB0
20	GEC1/IO100PDB3	56	V _{JTAG}	92	IO11RSB0
21	GEC0/IO100NDB3	57	GDA1/IO60USB1	93	GAC1/IO05RSB0
22	GEA1/IO98PDB3	58	GDC0/IO58VDB1	94	GAC0/IO04RSB0
23	GEA0/IO98NDB3	59	GDC1/IO58UDB1	95	GAB1/IO03RSB0
24	VMV3	60	IO52NDB1	96	GAB0/IO02RSB0
25	GNDQ	61	GCB2/IO52PDB1	97	GAA1/IO01RSB0
26	GEA2/IO97RSB2	62	GCA1/IO50PDB1	98	GAA0/IO00RSB0
27	FF/GE2/IO96RSB2	63	GCA0/IO50NDB1	99	GNDQ
28	GEC2/IO95RSB2	64	GCC0/IO48NDB1	100	VMV0
29	IO93RSB2	65	GCC1/IO48PDB1		
30	IO92RSB2	66	V _{CC} B1		
31	IO91RSB2	67	GND		
32	IO90RSB2	68	V _{CC}		
33	IO88RSB2	69	IO43NDB1		
34	IO86RSB2	70	GBC2/IO43PDB1		
35	IO85RSB2	71	GBB2/IO42PSB1		
36	IO84RSB2	72	IO41NDB1		

144-Pin FBGA



Note: This is the bottom view of the package.

Note

For Package Manufacturing and Environmental information, visit the Resource Center at <http://www.actel.com/products/solutions/package/docs.aspx>.

144-Pin FBGA		144-Pin FBGA		144-Pin FBGA	
Pin Number	AGL125 Function	Pin Number	AGL125 Function	Pin Number	AGL125 Function
A1	GNDQ	D1	IO128RSB1	G1	GFA1/IO121RSB1
A2	VMV0	D2	IO129RSB1	G2	GND
A3	GAB0/IO02RSB0	D3	IO130RSB1	G3	V _{CCPLF}
A4	GAB1/IO03RSB0	D4	GAA2/IO67RSB1	G4	GFA0/IO122RSB1
A5	IO11RSB0	D5	GAC0/IO04RSB0	G5	GND
A6	GND	D6	GAC1/IO05RSB0	G6	GND
A7	IO18RSB0	D7	GBC0/IO35RSB0	G7	GND
A8	V _{CC}	D8	GBC1/IO36RSB0	G8	GDC1/IO61RSB0
A9	IO25RSB0	D9	GBB2/IO43RSB0	G9	IO48RSB0
A10	GBA0/IO39RSB0	D10	IO28RSB0	G10	GCC2/IO59RSB0
A11	GBA1/IO40RSB0	D11	IO44RSB0	G11	IO47RSB0
A12	GNDQ	D12	GCB1/IO53RSB0	G12	GCB2/IO58RSB0
B1	GAB2/IO69RSB1	E1	V _{CC}	H1	V _{CC}
B2	GND	E2	GFC0/IO125RSB1	H2	GFB2/IO119RSB1
B3	GAA0/IO00RSB0	E3	GFC1/IO126RSB1	H3	GFC2/IO118RSB1
B4	GAA1/IO01RSB0	E4	V _{CC} B1	H4	GEC1/IO112RSB1
B5	IO08RSB0	E5	IO68RSB1	H5	V _{CC}
B6	IO14RSB0	E6	V _{CC} B0	H6	IO50RSB0
B7	IO19RSB0	E7	V _{CC} B0	H7	IO60RSB0
B8	IO22RSB0	E8	GCC1/IO51RSB0	H8	GDB2/IO71RSB1
B9	GBB0/IO37RSB0	E9	V _{CC} B0	H9	GDC0/IO62RSB0
B10	GBB1/IO38RSB0	E10	V _{CC}	H10	V _{CC} B0
B11	GND	E11	GCA0/IO56RSB0	H11	IO49RSB0
B12	VMV0	E12	IO46RSB0	H12	V _{CC}
C1	IO132RSB1	F1	GFB0/IO123RSB1	J1	GEB1/IO110RSB1
C2	GFA2/IO120RSB1	F2	V _{COMPLF}	J2	IO115RSB1
C3	GAC2/IO131RSB1	F3	GFB1/IO124RSB1	J3	V _{CC} B1
C4	V _{CC}	F4	IO127RSB1	J4	GEC0/IO111RSB1
C5	IO10RSB0	F5	GND	J5	IO116RSB1
C6	IO12RSB0	F6	GND	J6	IO117RSB1
C7	IO21RSB0	F7	GND	J7	V _{CC}
C8	IO24RSB0	F8	GCC0/IO52RSB0	J8	TCK
C9	IO27RSB0	F9	GCB0/IO54RSB0	J9	GDA2/IO70RSB1
C10	GBA2/IO41RSB0	F10	GND	J10	TDO
C11	IO42RSB0	F11	GCA1/IO55RSB0	J11	GDA1/IO65RSB0
C12	GBC2/IO45RSB0	F12	GCA2/IO57RSB0	J12	GDB1/IO63RSB0

144-Pin FBGA	
Pin Number	AGL125 Function
K1	GEB0/IO109RSB1
K2	GEA1/IO108RSB1
K3	GEA0/IO107RSB1
K4	GEA2/IO106RSB1
K5	IO100RSB1
K6	IO98RSB1
K7	GND
K8	IO73RSB1
K9	GDC2/IO72RSB1
K10	GND
K11	GDA0/IO66RSB0
K12	GDB0/IO64RSB0
L1	GND
L2	VMV1
L3	FF/GEB2/IO105RSB1
L4	IO102RSB1
L5	V _{CC} B1
L6	IO95RSB1
L7	IO85RSB1
L8	IO74RSB1
L9	TMS
L10	V _{JTAG}
L11	VMV1
L12	TRST
M1	GNDQ
M2	GEC2/IO104RSB1
M3	IO103RSB1
M4	IO101RSB1
M5	IO97RSB1
M6	IO94RSB1
M7	IO86RSB1
M8	IO75RSB1
M9	TDI
M10	V _{CC} B1
M11	V _{PUMP}
M12	GNDQ

144-Pin FBGA		144-Pin FBGA		144-Pin FBGA	
Pin Number	AGL250 Function	Pin Number	AGL250 Function	Pin Number	AGL250 Function
A1	GNDQ	D1	IO112NDB3	G1	GFA1/IO108PPB3
A2	VMV0	D2	IO112PDB3	G2	GND
A3	GAB0/IO02RSB0	D3	IO116VDB3	G3	V _{CCPLF}
A4	GAB1/IO03RSB0	D4	GAA2/IO118UPB3	G4	GFA0/IO108NPB3
A5	IO16RSB0	D5	GAC0/IO04RSB0	G5	GND
A6	GND	D6	GAC1/IO05RSB0	G6	GND
A7	IO29RSB0	D7	GBC0/IO35RSB0	G7	GND
A8	V _{CC}	D8	GBC1/IO36RSB0	G8	GDC1/IO58UPB1
A9	IO33RSB0	D9	GBB2/IO42PDB1	G9	IO53NDB1
A10	GBA0/IO39RSB0	D10	IO42NDB1	G10	GCC2/IO53PDB1
A11	GBA1/IO40RSB0	D11	IO43NPB1	G11	IO52NDB1
A12	GNDQ	D12	GCB1/IO49PPB1	G12	GCB2/IO52PDB1
B1	GAB2/IO117UDB3	E1	V _{CC}	H1	V _{CC}
B2	GND	E2	GFC0/IO110NDB3	H2	GFB2/IO106PDB3
B3	GAA0/IO00RSB0	E3	GFC1/IO110PDB3	H3	GFC2/IO105PSB3
B4	GAA1/IO01RSB0	E4	V _{CC} B3	H4	GEC1/IO100PDB3
B5	IO14RSB0	E5	IO118VPB3	H5	V _{CC}
B6	IO19RSB0	E6	V _{CC} B0	H6	IO79RSB2
B7	IO22RSB0	E7	V _{CC} B0	H7	IO65RSB2
B8	IO30RSB0	E8	GCC1/IO48PDB1	H8	GDB2/IO62RSB2
B9	GBB0/IO37RSB0	E9	V _{CC} B1	H9	GDC0/IO58VPB1
B10	GBB1/IO38RSB0	E10	V _{CC}	H10	V _{CC} B1
B11	GND	E11	GCA0/IO50NDB1	H11	IO54PSB1
B12	VMV1	E12	IO51NDB1	H12	V _{CC}
C1	IO117VDB3	F1	GFB0/IO109NPB3	J1	GEB1/IO99PDB3
C2	GFA2/IO107PPB3	F2	V _{COMPLF}	J2	IO106NDB3
C3	GAC2/IO116UDB3	F3	GFB1/IO109PPB3	J3	V _{CC} B3
C4	V _{CC}	F4	IO107NPB3	J4	GEC0/IO100NDB3
C5	IO12RSB0	F5	GND	J5	IO88RSB2
C6	IO17RSB0	F6	GND	J6	IO81RSB2
C7	IO24RSB0	F7	GND	J7	V _{CC}
C8	IO31RSB0	F8	GCC0/IO48NDB1	J8	TCK
C9	IO34RSB0	F9	GCB0/IO49NPB1	J9	GDA2/IO61RSB2
C10	GBA2/IO41PDB1	F10	GND	J10	TDO
C11	IO41NDB1	F11	GCA1/IO50PDB1	J11	GDA1/IO60UDB1
C12	GBC2/IO43PPB1	F12	GCA2/IO51PDB1	J12	GDB1/IO59UDB1

144-Pin FBGA	
Pin Number	AGL250 Function
K1	GEB0/IO99NDB3
K2	GEA1/IO98PDB3
K3	GEA0/IO98NDB3
K4	GEA2/IO97RSB2
K5	IO90RSB2
K6	IO84RSB2
K7	GND
K8	IO66RSB2
K9	GDC2/IO63RSB2
K10	GND
K11	GDA0/IO60VDB1
K12	GDB0/IO59VDB1
L1	GND
L2	VMV3
L3	FF/GEB2/IO96RSB2
L4	IO91RSB2
L5	V _{CC} B2
L6	IO82RSB2
L7	IO80RSB2
L8	IO72RSB2
L9	TMS
L10	V _{JTAG}
L11	VMV2
L12	TRST
M1	GNDQ
M2	GEC2/IO95RSB2
M3	IO92RSB2
M4	IO89RSB2
M5	IO87RSB2
M6	IO85RSB2
M7	IO78RSB2
M8	IO76RSB2
M9	TDI
M10	V _{CC} B2
M11	V _{PUMP}
M12	GNDQ

144-pin FBGA		144-pin FBGA		144-pin FBGA	
Pin Number	AGL400 Function	Pin Number	AGL400 Function	Pin Number	AGL400 Function
A1	GNDQ	D1	IO149NDB3	G1	GFA1/IO145PPB3
A2	VMV0	D2	IO149PDB3	G2	GND
A3	GAB0/IO02RSB0	D3	IO153VDB3	G3	V _{CCPLF}
A4	GAB1/IO03RSB0	D4	GAA2/IO155UPB3	G4	GFA0/IO145NPB3
A5	IO16RSB0	D5	GAC0/IO04RSB0	G5	GND
A6	GND	D6	GAC1/IO05RSB0	G6	GND
A7	IO30RSB0	D7	GBC0/IO54RSB0	G7	GND
A8	V _{CC}	D8	GBC1/IO55RSB0	G8	GDC1/IO77UPB1
A9	IO34RSB0	D9	GBB2/IO61PDB1	G9	IO72NDB1
A10	GBA0/IO58RSB0	D10	IO61NDB1	G10	GCC2/IO72PDB1
A11	GBA1/IO59RSB0	D11	IO62NPB1	G11	IO71NDB1
A12	GNDQ	D12	GCB1/IO68PPB1	G12	GCB2/IO71PDB1
B1	GAB2/IO154UDB3	E1	V _{CC}	H1	V _{CC}
B2	GND	E2	GFC0/IO147NDB3	H2	GFB2/IO143PDB3
B3	GAA0/IO00RSB0	E3	GFC1/IO147PDB3	H3	GFC2/IO142PSB3
B4	GAA1/IO01RSB0	E4	V _{CCIB3}	H4	GEC1/IO137PDB3
B5	IO14RSB0	E5	IO155VPB3	H5	V _{CC}
B6	IO19RSB0	E6	V _{CCIB0}	H6	IO75PDB1
B7	IO23RSB0	E7	V _{CCIB0}	H7	IO75NDB1
B8	IO31RSB0	E8	GCC1/IO67PDB1	H8	GDB2/IO81RSB2
B9	GBB0/IO56RSB0	E9	V _{CCIB1}	H9	GDC0/IO77VPB1
B10	GBB1/IO57RSB0	E10	V _{CC}	H10	V _{CCIB1}
B11	GND	E11	GCA0/IO69NDB1	H11	IO73PSB1
B12	VMV1	E12	IO70NDB1	H12	V _{CC}
C1	IO154VDB3	F1	GFB0/IO146NPB3	J1	GEB1/IO136PDB3
C2	GFA2/IO144PPB3	F2	V _{CCOMPLF}	J2	IO143NDB3
C3	GAC2/IO153UDB3	F3	GFB1/IO146PPB3	J3	V _{CCIB3}
C4	V _{CC}	F4	IO144NPB3	J4	GEC0/IO137NDB3
C5	IO12RSB0	F5	GND	J5	IO125RSB2
C6	IO17RSB0	F6	GND	J6	IO116RSB2
C7	IO25RSB0	F7	GND	J7	V _{CC}
C8	IO32RSB0	F8	GCC0/IO67NDB1	J8	TCK
C9	IO53RSB0	F9	GCB0/IO68NPB1	J9	GDA2/IO80RSB2
C10	GBA2/IO60PDB1	F10	GND	J10	TDO
C11	IO60NDB1	F11	GCA1/IO69PDB1	J11	GDA1/IO79UDB1
C12	GBC2/IO62PPB1	F12	GCA2/IO70PDB1	J12	GDB1/IO78UDB1

144-pin FBGA	
Pin Number	AGL400 Function
K1	GEB0/IO136NDB3
K2	GEA1/IO135PDB3
K3	GEA0/IO135NDB3
K4	GEA2/IO134RSB2
K5	IO127RSB2
K6	IO121RSB2
K7	GND
K8	IO104RSB2
K9	GDC2/IO82RSB2
K10	GND
K11	GDA0/IO79VDB1
K12	GDB0/IO78VDB1
L1	GND
L2	VMV3
L3	FF/GEB2/IO133RSB2
L4	IO128RSB2
L5	V _{CC} B2
L6	IO119RSB2
L7	IO114RSB2
L8	IO110RSB2
L9	TMS
L10	V _{JTAG}
L11	VMV2
L12	TRST
M1	GNDQ
M2	GEC2/IO132RSB2
M3	IO129RSB2
M4	IO126RSB2
M5	IO124RSB2
M6	IO122RSB2
M7	IO117RSB2
M8	IO115RSB2
M9	TDI
M10	V _{CC} B2
M11	V _{PUMP}
M12	GNDQ

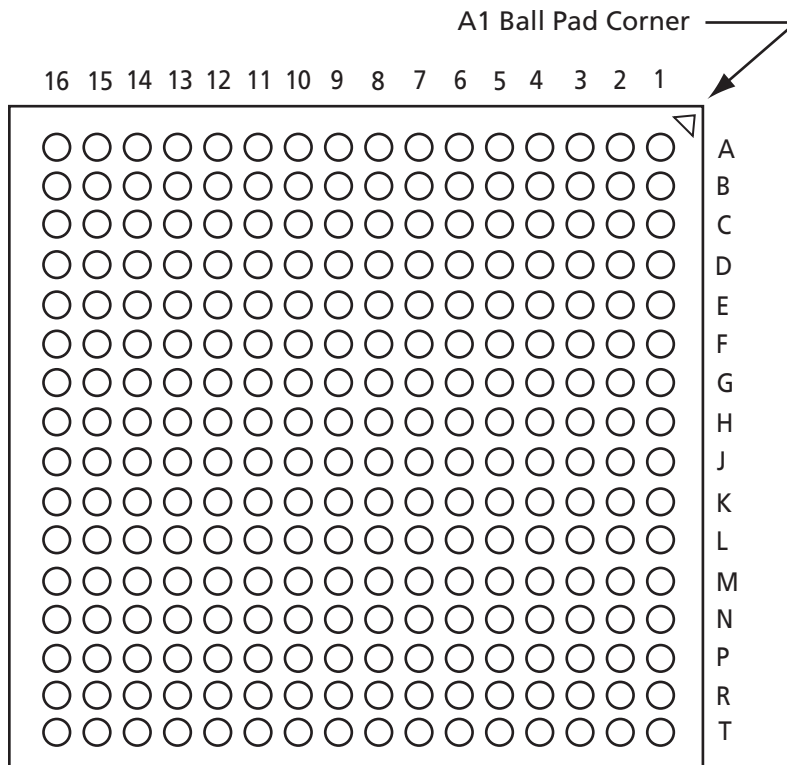
144-Pin FBGA		144-Pin FBGA		144-Pin FBGA	
Pin Number	AGL600 Function	Pin Number	AGL600 Function	Pin Number	AGL600 Function
A1	GNDQ	D1	IO169PDB3	G1	GFA1/IO162PPB3
A2	VMV0	D2	IO169NDB3	G2	GND
A3	GAB0/IO02RSB0	D3	IO172NDB3	G3	VCCPLF
A4	GAB1/IO03RSB0	D4	GAA2/IO174PPB3	G4	GFA0/IO162NPB3
A5	IO10RSB0	D5	GAC0/IO04RSB0	G5	GND
A6	GND	D6	GAC1/IO05RSB0	G6	GND
A7	IO34RSB0	D7	GBC0/IO54RSB0	G7	GND
A8	V _{CC}	D8	GBC1/IO55RSB0	G8	GDC1/IO86PPB1
A9	IO50RSB0	D9	GBB2/IO61PDB1	G9	IO74NDB1
A10	GBA0/IO58RSB0	D10	IO61NDB1	G10	GCC2/IO74PDB1
A11	GBA1/IO59RSB0	D11	IO62NPB1	G11	IO73NDB1
A12	GNDQ	D12	GCB1/IO70PPB1	G12	GCB2/IO73PDB1
B1	GAB2/IO173PDB3	E1	V _{CC}	H1	V _{CC}
B2	GND	E2	GFC0/IO164NDB3	H2	GFB2/IO160PDB3
B3	GAA0/IO00RSB0	E3	GFC1/IO164PDB3	H3	GFC2/IO159PSB3
B4	GAA1/IO01RSB0	E4	V _{CC} B3	H4	GEC1/IO146PDB3
B5	IO13RSB0	E5	IO174NPB3	H5	V _{CC}
B6	IO19RSB0	E6	V _{CC} B0	H6	IO80PDB1
B7	IO31RSB0	E7	V _{CC} B0	H7	IO80NDB1
B8	IO39RSB0	E8	GCC1/IO69PDB1	H8	GDB2/IO90RSB2
B9	GBB0/IO56RSB0	E9	V _{CC} B1	H9	GDC0/IO86NPB1
B10	GBB1/IO57RSB0	E10	V _{CC}	H10	V _{CC} B1
B11	GND	E11	GCA0/IO71NDB1	H11	IO84PSB1
B12	VMV1	E12	IO72NDB1	H12	V _{CC}
C1	IO173NDB3	F1	GFB0/IO163NPB3	J1	GEB1/IO145PDB3
C2	GFA2/IO161PPB3	F2	V _{COMPLF}	J2	IO160NDB3
C3	GAC2/IO172PDB3	F3	GFB1/IO163PPB3	J3	V _{CC} B3
C4	V _{CC}	F4	IO161NPB3	J4	GEC0/IO146NDB3
C5	IO16RSB0	F5	GND	J5	IO129RSB2
C6	IO25RSB0	F6	GND	J6	IO131RSB2
C7	IO28RSB0	F7	GND	J7	V _{CC}
C8	IO42RSB0	F8	GCC0/IO69NDB1	J8	TCK
C9	IO45RSB0	F9	GCB0/IO70NPB1	J9	GDA2/IO89RSB2
C10	GBA2/IO60PDB1	F10	GND	J10	TDO
C11	IO60NDB1	F11	GCA1/IO71PDB1	J11	GDA1/IO88PDB1
C12	GBC2/IO62PPB1	F12	GCA2/IO72PDB1	J12	GDB1/IO87PDB1

144-Pin FBGA	
Pin Number	AGL600 Function
K1	GEB0/IO145NDB3
K2	GEA1/IO144PDB3
K3	GEA0/IO144NDB3
K4	GEA2/IO143RSB2
K5	IO119RSB2
K6	IO111RSB2
K7	GND
K8	IO94RSB2
K9	GDC2/IO91RSB2
K10	GND
K11	GDA0/IO88NDB1
K12	GDB0/IO87NDB1
L1	GND
L2	VMV3
L3	FF/GEB2/IO142RSB2
L4	IO136RSB2
L5	V _{CC} B2
L6	IO115RSB2
L7	IO103RSB2
L8	IO97RSB2
L9	TMS
L10	V _{JTAG}
L11	VMV2
L12	TRST
M1	GNDQ
M2	GEC2/IO141RSB2
M3	IO138RSB2
M4	IO123RSB2
M5	IO126RSB2
M6	IO134RSB2
M7	IO108RSB2
M8	IO99RSB2
M9	TDI
M10	V _{CC} B2
M11	V _{PUMP}
M12	GNDQ

144-Pin FBGA		144-Pin FBGA		144-Pin FBGA	
Pin Number	AGL1000 Function	Pin Number	AGL1000 Function	Pin Number	AGL1000 Function
A1	GNDQ	D1	IO213PDB3	G1	GFA1/IO207PPB3
A2	VMV0	D2	IO213NDB3	G2	GND
A3	GAB0/IO02RSB0	D3	IO223NDB3	G3	V _{CCPLF}
A4	GAB1/IO03RSB0	D4	GAA2/IO225PPB3	G4	GFA0/IO207NPB3
A5	IO10RSB0	D5	GAC0/IO04RSB0	G5	GND
A6	GND	D6	GAC1/IO05RSB0	G6	GND
A7	IO44RSB0	D7	GBC0/IO72RSB0	G7	GND
A8	V _{CC}	D8	GBC1/IO73RSB0	G8	GDC1/IO111PPB1
A9	IO69RSB0	D9	GBB2/IO79PDB1	G9	IO96NDB1
A10	GBA0/IO76RSB0	D10	IO79NDB1	G10	GCC2/IO96PDB1
A11	GBA1/IO77RSB0	D11	IO80NPB1	G11	IO95NDB1
A12	GNDQ	D12	GCB1/IO92PPB1	G12	GCB2/IO95PDB1
B1	GAB2/IO224PDB3	E1	V _{CC}	H1	V _{CC}
B2	GND	E2	GFC0/IO209NDB3	H2	GFB2/IO205PDB3
B3	GAA0/IO00RSB0	E3	GFC1/IO209PDB3	H3	GFC2/IO204PSB3
B4	GAA1/IO01RSB0	E4	V _{CC} B3	H4	GEC1/IO190PDB3
B5	IO13RSB0	E5	IO225NPB3	H5	V _{CC}
B6	IO26RSB0	E6	V _{CC} B0	H6	IO105PDB1
B7	IO35RSB0	E7	V _{CC} B0	H7	IO105NDB1
B8	IO60RSB0	E8	GCC1/IO91PDB1	H8	GDB2/IO115RSB2
B9	GBB0/IO74RSB0	E9	V _{CC} B1	H9	GDC0/IO111NPB1
B10	GBB1/IO75RSB0	E10	V _{CC}	H10	V _{CC} B1
B11	GND	E11	GCA0/IO93NDB1	H11	IO101PSB1
B12	VMV1	E12	IO94NDB1	H12	V _{CC}
C1	IO224NDB3	F1	GFB0/IO208NPB3	J1	GEB1/IO189PDB3
C2	GFA2/IO206PPB3	F2	V _{CCOMPLF}	J2	IO205NDB3
C3	GAC2/IO223PDB3	F3	GFB1/IO208PPB3	J3	V _{CC} B3
C4	V _{CC}	F4	IO206NPB3	J4	GEC0/IO190NDB3
C5	IO16RSB0	F5	GND	J5	IO160RSB2
C6	IO29RSB0	F6	GND	J6	IO157RSB2
C7	IO32RSB0	F7	GND	J7	V _{CC}
C8	IO63RSB0	F8	GCC0/IO91NDB1	J8	TCK
C9	IO66RSB0	F9	GCB0/IO92NPB1	J9	GDA2/IO114RSB2
C10	GBA2/IO78PDB1	F10	GND	J10	TDO
C11	IO78NDB1	F11	GCA1/IO93PDB1	J11	GDA1/IO113PDB1
C12	GBC2/IO80PPB1	F12	GCA2/IO94PDB1	J12	GDB1/IO112PDB1

144-Pin FBGA	
Pin Number	AGL1000 Function
K1	GEB0/IO189NDB3
K2	GEA1/IO188PDB3
K3	GEA0/IO188NDB3
K4	GEA2/IO187RSB2
K5	IO169RSB2
K6	IO152RSB2
K7	GND
K8	IO117RSB2
K9	GDC2/IO116RSB2
K10	GND
K11	GDA0/IO113NDB1
K12	GDB0/IO112NDB1
L1	GND
L2	VMV3
L3	FF/GEB2/IO186RSB2
L4	IO172RSB2
L5	V _{CC} B2
L6	IO153RSB2
L7	IO144RSB2
L8	IO140RSB2
L9	TMS
L10	V _{JTAG}
L11	VMV2
L12	TRST
M1	GNDQ
M2	GEC2/IO185RSB2
M3	IO173RSB2
M4	IO168RSB2
M5	IO161RSB2
M6	IO156RSB2
M7	IO145RSB2
M8	IO141RSB2
M9	TDI
M10	V _{CC} B2
M11	V _{PUMP}
M12	GNDQ

256-Pin FBGA



Note: This is the bottom view of the package.

Note

For Package Manufacturing and Environmental information, visit the Resource Center at <http://www.actel.com/products/solutions/package/docs.aspx>.

256-Pin FBGA	
Pin Number	AGL400 Function
A1	GND
A2	GAA0/IO00RSB0
A3	GAA1/IO01RSB0
A4	GAB0/IO02RSB0
A5	IO16RSB0
A6	IO17RSB0
A7	IO22RSB0
A8	IO28RSB0
A9	IO34RSB0
A10	IO37RSB0
A11	IO41RSB0
A12	IO43RSB0
A13	GBB1/IO57RSB0
A14	GBA0/IO58RSB0
A15	GBA1/IO59RSB0
A16	GND
B1	GAB2/IO154UDB3
B2	GAA2/IO155UDB3
B3	IO12RSB0
B4	GAB1/IO03RSB0
B5	IO13RSB0
B6	IO14RSB0
B7	IO21RSB0
B8	IO27RSB0
B9	IO32RSB0
B10	IO38RSB0
B11	IO42RSB0
B12	GBC1/IO55RSB0
B13	GBB0/IO56RSB0
B14	IO44RSB0
B15	GBA2/IO60PDB1
B16	IO60NDB1
C1	IO154VDB3
C2	IO155VDB3
C3	IO11RSB0
C4	IO07RSB0

256-Pin FBGA	
Pin Number	AGL400 Function
C5	GAC0/IO04RSB0
C6	GAC1/IO05RSB0
C7	IO20RSB0
C8	IO24RSB0
C9	IO33RSB0
C10	IO39RSB0
C11	IO45RSB0
C12	GBC0/IO54RSB0
C13	IO48RSB0
C14	VMV0
C15	IO61NPB1
C16	IO63PDB1
D1	IO151VDB3
D2	IO151UDB3
D3	GAC2/IO153UDB3
D4	IO06RSB0
D5	GNDQ
D6	IO10RSB0
D7	IO19RSB0
D8	IO26RSB0
D9	IO30RSB0
D10	IO40RSB0
D11	IO46RSB0
D12	GNDQ
D13	IO47RSB0
D14	GBB2/IO61PPB1
D15	IO53RSB0
D16	IO63NDB1
E1	IO150PDB3
E2	IO08RSB0
E3	IO153VDB3
E4	IO152VDB3
E5	VMV0
E6	V _{CC} B0
E7	V _{CC} B0
E8	IO25RSB0

256-Pin FBGA	
Pin Number	AGL400 Function
E9	IO31RSB0
E10	V _{CC} B0
E11	V _{CC} B0
E12	VMV1
E13	GBC2/IO62PDB1
E14	IO65RSB1
E15	IO52RSB0
E16	IO66PDB1
F1	IO150NDB3
F2	IO149NPB3
F3	IO09RSB0
F4	IO152UDB3
F5	V _{CC} B3
F6	GND
F7	V _{CC}
F8	V _{CC}
F9	V _{CC}
F10	V _{CC}
F11	GND
F12	V _{CC} B1
F13	IO62NDB1
F14	IO49RSB0
F15	IO64PPB1
F16	IO66NDB1
G1	IO148NDB3
G2	IO148PDB3
G3	IO149PPB3
G4	GFC1/IO147PPB3
G5	V _{CC} B3
G6	V _{CC}
G7	GND
G8	GND
G9	GND
G10	GND
G11	V _{CC}
G12	V _{CC} B1

256-Pin FBGA	
Pin Number	AGL400 Function
G13	GCC1/IO67PPB1
G14	IO64NPB1
G15	IO73PDB1
G16	IO73NDB1
H1	GFB0/IO146NPB3
H2	GFA0/IO145NDB3
H3	GFB1/IO146PPB3
H4	V _{COMPLF}
H5	GFC0/IO147NPB3
H6	V _{CC}
H7	GND
H8	GND
H9	GND
H10	GND
H11	V _{CC}
H12	GCC0/IO67NPB1
H13	GCB1/IO68PPB1
H14	GCA0/IO69NPB1
H15	NC
H16	GCB0/IO68NPB1
J1	GFA2/IO144PPB3
J2	GFA1/IO145PDB3
J3	V _{CCPLF}
J4	IO143NDB3
J5	GFB2/IO143PDB3
J6	V _{CC}
J7	GND
J8	GND
J9	GND
J10	GND
J11	V _{CC}
J12	GCB2/IO71PPB1
J13	GCA1/IO69PPB1
J14	GCC2/IO72PPB1
J15	NC
J16	GCA2/IO70PDB1

256-Pin FBGA	
Pin Number	AGL400 Function
K1	GFC2/IO142PDB3
K2	IO144NPB3
K3	IO141PPB3
K4	IO120RSB2
K5	V _{CC} B3
K6	V _{CC}
K7	GND
K8	GND
K9	GND
K10	GND
K11	V _{CC}
K12	V _{CC} B1
K13	IO71NPB1
K14	IO74RSB1
K15	IO72NPB1
K16	IO70NDB1
L1	IO142NDB3
L2	IO141NPB3
L3	IO125RSB2
L4	IO139RSB3
L5	V _{CC} B3
L6	GND
L7	V _{CC}
L8	V _{CC}
L9	V _{CC}
L10	V _{CC}
L11	GND
L12	V _{CC} B1
L13	GDB0/IO78VPB1
L14	IO76VDB1
L15	IO76UDB1
L16	IO75PDB1
M1	IO140PDB3
M2	IO130RSB2
M3	IO138NPB3
M4	GEC0/IO137NPB3

256-Pin FBGA	
Pin Number	AGL400 Function
M5	VMV3
M6	V _{CC} B2
M7	V _{CC} B2
M8	IO108RSB2
M9	IO101RSB2
M10	V _{CC} B2
M11	V _{CC} B2
M12	VMV2
M13	IO83RSB2
M14	GDB1/IO78UPB1
M15	GDC1/IO77UDB1
M16	IO75NDB1
N1	IO140NDB3
N2	IO138PPB3
N3	GEC1/IO137PPB3
N4	IO131RSB2
N5	GNDQ
N6	GEA2/IO134RSB2
N7	IO117RSB2
N8	IO111RSB2
N9	IO99RSB2
N10	IO94RSB2
N11	IO87RSB2
N12	GNDQ
N13	IO93RSB2
N14	V _{JTAG}
N15	GDC0/IO77VDB1
N16	GDA1/IO79UDB1
P1	GEB1/IO136PDB3
P2	GEB0/IO136NDB3
P3	VMV2
P4	IO129RSB2
P5	IO128RSB2
P6	IO122RSB2
P7	IO115RSB2
P8	IO110RSB2

256-Pin FBGA	
Pin Number	AGL400 Function
P9	IO98RSB2
P10	IO95RSB2
P11	IO88RSB2
P12	IO84RSB2
P13	TCK
P14	V _{PUMP}
P15	TRST
P16	GDA0/IO79VDB1
R1	GEA1/IO135PDB3
R2	GEA0/IO135NDB3
R3	IO127RSB2
R4	GEC2/IO132RSB2
R5	IO123RSB2
R6	IO118RSB2
R7	IO112RSB2
R8	IO106RSB2
R9	IO100RSB2
R10	IO96RSB2
R11	IO89RSB2
R12	IO85RSB2
R13	GDB2/IO81RSB2
R14	TDI
R15	NC
R16	TDO
T1	GND
T2	IO126RSB2
T3	FF/GEB2/IO133RSB 2
T4	IO124RSB2
T5	IO116RSB2
T6	IO113RSB2
T7	IO107RSB2
T8	IO105RSB2
T9	IO102RSB2
T10	IO97RSB2
T11	IO92RSB2

256-Pin FBGA	
Pin Number	AGL400 Function
T12	GDC2/IO82RSB2
T13	IO86RSB2
T14	GDA2/IO80RSB2
T15	TMS
T16	GND

256-Pin FBGA		256-Pin FBGA		256-Pin FBGA	
Pin Number	AGL600 Function	Pin Number	AGL600 Function	Pin Number	AGL600 Function
A1	GND	C7	IO20RSB0	E13	GBC2/IO62PDB1
A2	GAA0/IO00RSB0	C8	IO24RSB0	E14	IO67PPB1
A3	GAA1/IO01RSB0	C9	IO33RSB0	E15	IO64PPB1
A4	GAB0/IO02RSB0	C10	IO39RSB0	E16	IO66PDB1
A5	IO11RSB0	C11	IO44RSB0	F1	IO166NDB3
A6	IO16RSB0	C12	GBC0/IO54RSB0	F2	IO168NPB3
A7	IO18RSB0	C13	IO51RSB0	F3	IO167PPB3
A8	IO28RSB0	C14	VMV0	F4	IO169PDB3
A9	IO34RSB0	C15	IO61NPB1	F5	V _{CC} B3
A10	IO37RSB0	C16	IO63PDB1	F6	GND
A11	IO41RSB0	D1	IO171NDB3	F7	V _{CC}
A12	IO43RSB0	D2	IO171PDB3	F8	V _{CC}
A13	GBB1/IO57RSB0	D3	GAC2/IO172PDB3	F9	V _{CC}
A14	GBA0/IO58RSB0	D4	IO06RSB0	F10	V _{CC}
A15	GBA1/IO59RSB0	D5	GNDQ	F11	GND
A16	GND	D6	IO10RSB0	F12	V _{CC} B1
B1	GAB2/IO173PDB3	D7	IO19RSB0	F13	IO62NDB1
B2	GAA2/IO174PDB3	D8	IO26RSB0	F14	IO64NPB1
B3	GNDQ	D9	IO30RSB0	F15	IO65PPB1
B4	GAB1/IO03RSB0	D10	IO40RSB0	F16	IO66NDB1
B5	IO13RSB0	D11	IO45RSB0	G1	IO165NDB3
B6	IO14RSB0	D12	GNDQ	G2	IO165PDB3
B7	IO21RSB0	D13	IO50RSB0	G3	IO168PPB3
B8	IO27RSB0	D14	GBB2/IO61PPB1	G4	GFC1/IO164PPB3
B9	IO32RSB0	D15	IO53RSB0	G5	V _{CC} B3
B10	IO38RSB0	D16	IO63NDB1	G6	V _{CC}
B11	IO42RSB0	E1	IO166PDB3	G7	GND
B12	GBC1/IO55RSB0	E2	IO167NPB3	G8	GND
B13	GBB0/IO56RSB0	E3	IO172NDB3	G9	GND
B14	IO52RSB0	E4	IO169NDB3	G10	GND
B15	GBA2/IO60PDB1	E5	VMV0	G11	V _{CC}
B16	IO60NDB1	E6	V _{CC} B0	G12	V _{CC} B1
C1	IO173NDB3	E7	V _{CC} B0	G13	GCC1/IO69PPB1
C2	IO174NDB3	E8	IO25RSB0	G14	IO65NPB1
C3	VMV3	E9	IO31RSB0	G15	IO75PDB1
C4	IO07RSB0	E10	V _{CC} B0	G16	IO75NDB1
C5	GAC0/IO04RSB0	E11	V _{CC} B0	H1	GFB0/IO163NPB3
C6	GAC1/IO05RSB0	E12	VMV1	H2	GFA0/IO162NDB3

256-Pin FBGA		256-Pin FBGA		256-Pin FBGA	
Pin Number	AGL600 Function	Pin Number	AGL600 Function	Pin Number	AGL600 Function
H3	GFB1/IO163PPB3	K9	GND	M15	GDC1/IO86PDB1
H4	V _{COMPLF}	K10	GND	M16	IO84NDB1
H5	GFC0/IO164NPB3	K11	V _{CC}	N1	IO150NDB3
H6	V _{CC}	K12	V _{CC} B1	N2	IO147PPB3
H7	GND	K13	IO73NPB1	N3	GEC1/IO146PPB3
H8	GND	K14	IO80NPB1	N4	IO140RSB2
H9	GND	K15	IO74NPB1	N5	GNDQ
H10	GND	K16	IO72NDB1	N6	GEA2/IO143RSB2
H11	V _{CC}	L1	IO159NDB3	N7	IO126RSB2
H12	GCC0/IO69NPB1	L2	IO156NPB3	N8	IO120RSB2
H13	GCB1/IO70PPB1	L3	IO151PPB3	N9	IO108RSB2
H14	GCA0/IO71NPB1	L4	IO158PSB3	N10	IO103RSB2
H15	IO67NPB1	L5	V _{CC} B3	N11	IO99RSB2
H16	GCB0/IO70NPB1	L6	GND	N12	GNDQ
J1	GFA2/IO161PPB3	L7	V _{CC}	N13	IO92RSB2
J2	GFA1/IO162PDB3	L8	V _{CC}	N14	V _{JTAG}
J3	VCCPLF	L9	V _{CC}	N15	GDC0/IO86NDB1
J4	IO160NDB3	L10	V _{CC}	N16	GDA1/IO88PDB1
J5	GFB2/IO160PDB3	L11	GND	P1	GEB1/IO145PDB3
J6	V _{CC}	L12	V _{CC} B1	P2	GEB0/IO145NDB3
J7	GND	L13	GDB0/IO87NPB1	P3	VMV2
J8	GND	L14	IO85NDB1	P4	IO138RSB2
J9	GND	L15	IO85PDB1	P5	IO136RSB2
J10	GND	L16	IO84PDB1	P6	IO131RSB2
J11	V _{CC}	M1	IO150PDB3	P7	IO124RSB2
J12	GCB2/IO73PPB1	M2	IO151NPB3	P8	IO119RSB2
J13	GCA1/IO71PPB1	M3	IO147NPB3	P9	IO107RSB2
J14	GCC2/IO74PPB1	M4	GEC0/IO146NPB3	P10	IO104RSB2
J15	IO80PPB1	M5	VMV3	P11	IO97RSB2
J16	GCA2/IO72PDB1	M6	V _{CC} B2	P12	VMV1
K1	GFC2/IO159PDB3	M7	V _{CC} B2	P13	TCK
K2	IO161NPB3	M8	IO117RSB2	P14	VPUMP
K3	IO156PPB3	M9	IO110RSB2	P15	TRST
K4	IO129RSB2	M10	V _{CC} B2	P16	GDA0/IO88NDB1
K5	V _{CC} B3	M11	V _{CC} B2	R1	GEA1/IO144PDB3
K6	V _{CC}	M12	VMV2	R2	GEA0/IO144NDB3
K7	GND	M13	IO94RSB2	R3	IO139RSB2
K8	GND	M14	GDB1/IO87PPB1	R4	GEC2/IO141RSB2

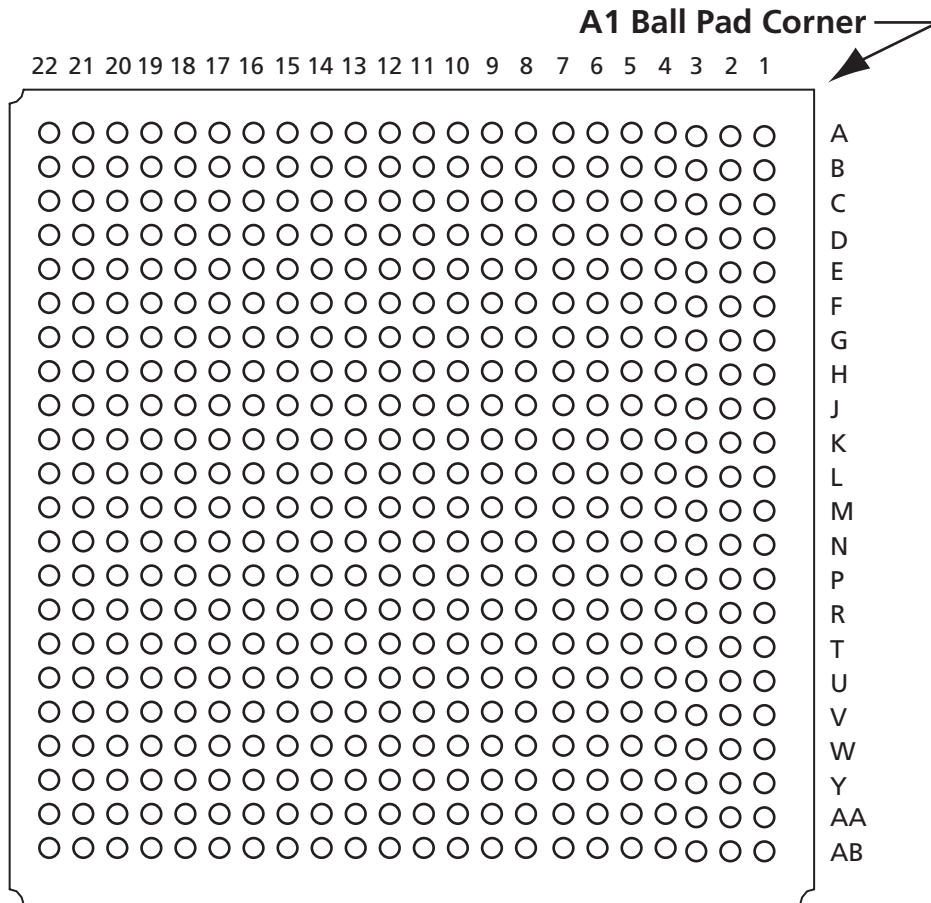
256-Pin FBGA	
Pin Number	AGL600 Function
R5	IO132RSB2
R6	IO127RSB2
R7	IO121RSB2
R8	IO114RSB2
R9	IO109RSB2
R10	IO105RSB2
R11	IO98RSB2
R12	IO96RSB2
R13	GDB2/IO90RSB2
R14	TDI
R15	GNDQ
R16	TDO
T1	GND
T2	IO137RSB2
T3	FF/GEB2/IO142RSB2
T4	IO134RSB2
T5	IO125RSB2
T6	IO123RSB2
T7	IO118RSB2
T8	IO115RSB2
T9	IO111RSB2
T10	IO106RSB2
T11	IO102RSB2
T12	GDC2/IO91RSB2
T13	IO93RSB2
T14	GDA2/IO89RSB2
T15	TMS
T16	GND

256-Pin FBGA		256-Pin FBGA		256-Pin FBGA	
Pin Number	AGL1000 Function	Pin Number	AGL1000 Function	Pin Number	AGL1000 Function
A1	GND	C7	IO25RSB0	E13	GBC2/IO80PDB1
A2	GAA0/IO00RSB0	C8	IO36RSB0	E14	IO83PPB1
A3	GAA1/IO01RSB0	C9	IO42RSB0	E15	IO86PPB1
A4	GAB0/IO02RSB0	C10	IO49RSB0	E16	IO87PDB1
A5	IO16RSB0	C11	IO56RSB0	F1	IO217NDB3
A6	IO22RSB0	C12	GBC0/IO72RSB0	F2	IO218NDB3
A7	IO28RSB0	C13	IO62RSB0	F3	IO216PDB3
A8	IO35RSB0	C14	VMV0	F4	IO216NDB3
A9	IO45RSB0	C15	IO78NDB1	F5	V _{CC} B3
A10	IO50RSB0	C16	IO81NDB1	F6	GND
A11	IO55RSB0	D1	IO222NDB3	F7	V _{CC}
A12	IO61RSB0	D2	IO222PDB3	F8	V _{CC}
A13	GBB1/IO75RSB0	D3	GAC2/IO223PDB3	F9	V _{CC}
A14	GBA0/IO76RSB0	D4	IO223NDB3	F10	V _{CC}
A15	GBA1/IO77RSB0	D5	GNDQ	F11	GND
A16	GND	D6	IO23RSB0	F12	V _{CC} B1
B1	GAB2/IO224PDB3	D7	IO29RSB0	F13	IO83NPB1
B2	GAA2/IO225PDB3	D8	IO33RSB0	F14	IO86NPB1
B3	GNDQ	D9	IO46RSB0	F15	IO90PPB1
B4	GAB1/IO03RSB0	D10	IO52RSB0	F16	IO87NDB1
B5	IO17RSB0	D11	IO60RSB0	G1	IO210PSB3
B6	IO21RSB0	D12	GNDQ	G2	IO213NDB3
B7	IO27RSB0	D13	IO80NDB1	G3	IO213PDB3
B8	IO34RSB0	D14	GBB2/IO79PDB1	G4	GFC1/IO209PPB3
B9	IO44RSB0	D15	IO79NDB1	G5	V _{CC} B3
B10	IO51RSB0	D16	IO82NSB1	G6	V _{CC}
B11	IO57RSB0	E1	IO217PDB3	G7	GND
B12	GBC1/IO73RSB0	E2	IO218PDB3	G8	GND
B13	GBB0/IO74RSB0	E3	IO221NDB3	G9	GND
B14	IO71RSB0	E4	IO221PDB3	G10	GND
B15	GBA2/IO78PDB1	E5	VMV0	G11	V _{CC}
B16	IO81PDB1	E6	V _{CC} B0	G12	V _{CC} B1
C1	IO224NDB3	E7	V _{CC} B0	G13	GCC1/IO91PPB1
C2	IO225NDB3	E8	IO38RSB0	G14	IO90NPB1
C3	VMV3	E9	IO47RSB0	G15	IO88PDB1
C4	IO11RSB0	E10	V _{CC} B0	G16	IO88NDB1
C5	GAC0/IO04RSB0	E11	V _{CC} B0	H1	GFB0/IO208NPB3
C6	GAC1/IO05RSB0	E12	VMV1	H2	GFA0/IO207NDB3

256-Pin FBGA		256-Pin FBGA		256-Pin FBGA	
Pin Number	AGL1000 Function	Pin Number	AGL1000 Function	Pin Number	AGL1000 Function
H3	GFB1/IO208PPB3	K9	GND	M15	GDC1/IO111PDB1
H4	V _{COMPLF}	K10	GND	M16	IO107NDB1
H5	GFC0/IO209NPB3	K11	V _{CC}	N1	IO194PSB3
H6	V _{CC}	K12	V _{CC} B1	N2	IO192PPB3
H7	GND	K13	IO95NPB1	N3	GEC1/IO190PPB3
H8	GND	K14	IO100NPB1	N4	IO192NPB3
H9	GND	K15	IO102NDB1	N5	GNDQ
H10	GND	K16	IO102PDB1	N6	GEA2/IO187RSB2
H11	V _{CC}	L1	IO202NDB3	N7	IO161RSB2
H12	GCC0/IO91NPB1	L2	IO202PDB3	N8	IO155RSB2
H13	GCB1/IO92PPB1	L3	IO196PPB3	N9	IO141RSB2
H14	GCA0/IO93NPB1	L4	IO193PPB3	N10	IO129RSB2
H15	IO96NPB1	L5	V _{CC} B3	N11	IO124RSB2
H16	GCB0/IO92NPB1	L6	GND	N12	GNDQ
J1	GFA2/IO206PSB3	L7	V _{CC}	N13	IO110PDB1
J2	GFA1/IO207PDB3	L8	V _{CC}	N14	V _{JTAG}
J3	V _{CC} PLF	L9	V _{CC}	N15	GDC0/IO111NDB1
J4	IO205NDB3	L10	V _{CC}	N16	GDA1/IO113PDB1
J5	GFB2/IO205PDB3	L11	GND	P1	GEB1/IO189PDB3
J6	V _{CC}	L12	V _{CC} B1	P2	GEB0/IO189NDB3
J7	GND	L13	GDB0/IO112NPB1	P3	VMV2
J8	GND	L14	IO106NDB1	P4	IO179RSB2
J9	GND	L15	IO106PDB1	P5	IO171RSB2
J10	GND	L16	IO107PDB1	P6	IO165RSB2
J11	V _{CC}	M1	IO197NSB3	P7	IO159RSB2
J12	GCB2/IO95PPB1	M2	IO196NPB3	P8	IO151RSB2
J13	GCA1/IO93PPB1	M3	IO193NPB3	P9	IO137RSB2
J14	GCC2/IO96PPB1	M4	GEC0/IO190NPB3	P10	IO134RSB2
J15	IO100PPB1	M5	VMV3	P11	IO128RSB2
J16	GCA2/IO94PSB1	M6	V _{CC} B2	P12	VMV1
K1	GFC2/IO204PDB3	M7	V _{CC} B2	P13	TCK
K2	IO204NDB3	M8	IO147RSB2	P14	V _{PUMP}
K3	IO203NDB3	M9	IO136RSB2	P15	TRST
K4	IO203PDB3	M10	V _{CC} B2	P16	GDA0/IO113NDB1
K5	V _{CC} B3	M11	V _{CC} B2	R1	GEA1/IO188PDB3
K6	V _{CC}	M12	VMV2	R2	GEA0/IO188NDB3
K7	GND	M13	IO110NDB1	R3	IO184RSB2
K8	GND	M14	GDB1/IO112PPB1	R4	GEC2/IO185RSB2

256-Pin FBGA	
Pin Number	AGL1000 Function
R5	IO168RSB2
R6	IO163RSB2
R7	IO157RSB2
R8	IO149RSB2
R9	IO143RSB2
R10	IO138RSB2
R11	IO131RSB2
R12	IO125RSB2
R13	GDB2/IO115RSB2
R14	TDI
R15	GNDQ
R16	TDO
T1	GND
T2	IO183RSB2
T3	FF/GEB2/IO186RSB2
T4	IO172RSB2
T5	IO170RSB2
T6	IO164RSB2
T7	IO158RSB2
T8	IO153RSB2
T9	IO142RSB2
T10	IO135RSB2
T11	IO130RSB2
T12	GDC2/IO116RSB2
T13	IO120RSB2
T14	GDA2/IO114RSB2
T15	TMS
T16	GND

484-Pin FBGA



Note: This is the bottom view of the package.

Note

For Package Manufacturing and Environmental information, visit the Resource Center at <http://www.actel.com/products/solutions/package/docs.aspx>.

484-Pin FBGA	
Pin Number	AGL400 Function
A1	GND
A2	GND
A3	V _{CC} I B0
A4	NC
A5	NC
A6	IO15RSB0
A7	IO18RSB0
A8	NC
A9	NC
A10	IO23RSB0
A11	IO29RSB0
A12	IO35RSB0
A13	IO36RSB0
A14	NC
A15	NC
A16	IO50RSB0
A17	IO51RSB0
A18	NC
A19	NC
A20	V _{CC} I B0
A21	GND
A22	GND
AA1	GND
AA2	V _{CC} I B3
AA3	NC
AA4	NC
AA5	NC
AA6	NC
AA7	NC
AA8	NC
AA9	NC
AA10	NC
AA11	NC
AA12	NC
AA13	NC
AA14	NC

484-Pin FBGA	
Pin Number	AGL400 Function
AA15	NC
AA16	NC
AA17	NC
AA18	NC
AA19	NC
AA20	NC
AA21	V _{CC} I B1
AA22	GND
AB1	GND
AB2	GND
AB3	V _{CC} I B2
AB4	NC
AB5	NC
AB6	IO121RSB2
AB7	IO119RSB2
AB8	IO114RSB2
AB9	IO109RSB2
AB10	NC
AB11	NC
AB12	IO104RSB2
AB13	IO103RSB2
AB14	NC
AB15	NC
AB16	IO91RSB2
AB17	IO90RSB2
AB18	NC
AB19	NC
AB20	V _{CC} I B2
AB21	GND
AB22	GND
B1	GND
B2	V _{CC} I B3
B3	NC
B4	NC
B5	NC
B6	NC

484-Pin FBGA	
Pin Number	AGL400 Function
B7	NC
B8	NC
B9	NC
B10	NC
B11	NC
B12	NC
B13	NC
B14	NC
B15	NC
B16	NC
B17	NC
B18	NC
B19	NC
B20	NC
B21	V _{CC} I B1
B22	GND
C1	V _{CC} I B3
C2	NC
C3	NC
C4	NC
C5	GND
C6	NC
C7	NC
C8	V _{CC}
C9	V _{CC}
C10	NC
C11	NC
C12	NC
C13	NC
C14	V _{CC}
C15	V _{CC}
C16	NC
C17	NC
C18	GND
C19	NC
C20	NC

484-Pin FBGA		484-Pin FBGA		484-Pin FBGA	
Pin Number	AGL400 Function	Pin Number	AGL400 Function	Pin Number	AGL400 Function
C21	NC	E13	IO38RSB0	G5	IO151UDB3
C22	V _{CC} B1	E14	IO42RSB0	G6	GAC2/IO153UDB3
D1	NC	E15	GBC1/IO55RSB0	G7	IO06RSB0
D2	NC	E16	GBB0/IO56RSB0	G8	GNDQ
D3	NC	E17	IO44RSB0	G9	IO10RSB0
D4	GND	E18	GBA2/IO60PDB1	G10	IO19RSB0
D5	GAA0/IO00RSB0	E19	IO60NDB1	G11	IO26RSB0
D6	GAA1/IO01RSB0	E20	GND	G12	IO30RSB0
D7	GAB0/IO02RSB0	E21	NC	G13	IO40RSB0
D8	IO16RSB0	E22	NC	G14	IO46RSB0
D9	IO17RSB0	F1	NC	G15	GNDQ
D10	IO22RSB0	F2	NC	G16	IO47RSB0
D11	IO28RSB0	F3	NC	G17	GBB2/IO61PPB1
D12	IO34RSB0	F4	IO154VDB3	G18	IO53RSB0
D13	IO37RSB0	F5	IO155VDB3	G19	IO63NDB1
D14	IO41RSB0	F6	IO11RSB0	G20	NC
D15	IO43RSB0	F7	IO07RSB0	G21	NC
D16	GBB1/IO57RSB0	F8	GAC0/IO04RSB0	G22	NC
D17	GBA0/IO58RSB0	F9	GAC1/IO05RSB0	H1	NC
D18	GBA1/IO59RSB0	F10	IO20RSB0	H2	NC
D19	GND	F11	IO24RSB0	H3	V _{CC}
D20	NC	F12	IO33RSB0	H4	IO150PDB3
D21	NC	F13	IO39RSB0	H5	IO08RSB0
D22	NC	F14	IO45RSB0	H6	IO153VDB3
E1	NC	F15	GBC0/IO54RSB0	H7	IO152VDB3
E2	NC	F16	IO48RSB0	H8	VMV0
E3	GND	F17	VMV0	H9	V _{CC} B0
E4	GAB2/IO154UDB3	F18	IO61NPB1	H10	V _{CC} B0
E5	GAA2/IO155UDB3	F19	IO63PDB1	H11	IO25RSB0
E6	IO12RSB0	F20	NC	H12	IO31RSB0
E7	GAB1/IO03RSB0	F21	NC	H13	V _{CC} B0
E8	IO13RSB0	F22	NC	H14	V _{CC} B0
E9	IO14RSB0	G1	NC	H15	VMV1
E10	IO21RSB0	G2	NC	H16	GBC2/IO62PDB1
E11	IO27RSB0	G3	NC	H17	IO65RSB1
E12	IO32RSB0	G4	IO151VDB3	H18	IO52RSB0

484-Pin FBGA	
Pin Number	AGL400 Function
H19	IO66PDB1
H20	V _{CC}
H21	NC
H22	NC
J1	NC
J2	NC
J3	NC
J4	IO150NDB3
J5	IO149NPB3
J6	IO09RSB0
J7	IO152UDB3
J8	V _{CC} B3
J9	GND
J10	V _{CC}
J11	V _{CC}
J12	V _{CC}
J13	V _{CC}
J14	GND
J15	V _{CC} B1
J16	IO62NDB1
J17	IO49RSB0
J18	IO64PPB1
J19	IO66NDB1
J20	NC
J21	NC
J22	NC
K1	NC
K2	NC
K3	NC
K4	IO148NDB3
K5	IO148PDB3
K6	IO149PPB3
K7	GFC1/IO147PPB3
K8	V _{CC} B3
K9	V _{CC}
K10	GND

484-Pin FBGA	
Pin Number	AGL400 Function
K11	GND
K12	GND
K13	GND
K14	V _{CC}
K15	V _{CC} B1
K16	GCC1/IO67PPB1
K17	IO64NPB1
K18	IO73PDB1
K19	IO73NDB1
K20	NC
K21	NC
K22	NC
L1	NC
L2	NC
L3	NC
L4	GFB0/IO146NPB3
L5	GFA0/IO145NDB3
L6	GFB1/IO146PPB3
L7	V _{COMPLF}
L8	GFC0/IO147NPB3
L9	V _{CC}
L10	GND
L11	GND
L12	GND
L13	GND
L14	V _{CC}
L15	GCC0/IO67NPB1
L16	GCB1/IO68PPB1
L17	GCA0/IO69NPB1
L18	NC
L19	GCB0/IO68NPB1
L20	NC
L21	NC
L22	NC
M1	NC
M2	NC

484-Pin FBGA	
Pin Number	AGL400 Function
M3	NC
M4	GFA2/IO144PPB3
M5	GFA1/IO145PDB3
M6	V _{CC} PLF
M7	IO143NDB3
M8	GFB2/IO143PDB3
M9	V _{CC}
M10	GND
M11	GND
M12	GND
M13	GND
M14	V _{CC}
M15	GCB2/IO71PPB1
M16	GCA1/IO69PPB1
M17	GCC2/IO72PPB1
M18	NC
M19	GCA2/IO70PDB1
M20	NC
M21	NC
M22	NC
N1	NC
N2	NC
N3	NC
N4	GFC2/IO142PDB3
N5	IO144NPB3
N6	IO141PPB3
N7	IO120RSB2
N8	V _{CC} B3
N9	V _{CC}
N10	GND
N11	GND
N12	GND
N13	GND
N14	V _{CC}
N15	V _{CC} B1
N16	IO71NPB1

484-Pin FBGA		484-Pin FBGA		484-Pin FBGA	
Pin Number	AGL400 Function	Pin Number	AGL400 Function	Pin Number	AGL400 Function
N17	IO74RSB1	R9	V _{CC} B2	U1	NC
N18	IO72NPB1	R10	V _{CC} B2	U2	NC
N19	IO70NDB1	R11	IO108RSB2	U3	NC
N20	NC	R12	IO101RSB2	U4	GEB1/IO136PDB3
N21	NC	R13	V _{CC} B2	U5	GEB0/IO136NDB3
N22	NC	R14	V _{CC} B2	U6	VMV2
P1	NC	R15	VMV2	U7	IO129RSB2
P2	NC	R16	IO83RSB2	U8	IO128RSB2
P3	NC	R17	GDB1/IO78UPB1	U9	IO122RSB2
P4	IO142NDB3	R18	GDC1/IO77UDB1	U10	IO115RSB2
P5	IO141NPB3	R19	IO75NDB1	U11	IO110RSB2
P6	IO125RSB2	R20	V _{CC}	U12	IO98RSB2
P7	IO139RSB3	R21	NC	U13	IO95RSB2
P8	V _{CC} B3	R22	NC	U14	IO88RSB2
P9	GND	T1	NC	U15	IO84RSB2
P10	V _{CC}	T2	NC	U16	TCK
P11	V _{CC}	T3	NC	U17	V _{PUMP}
P12	V _{CC}	T4	IO140NDB3	U18	TRST
P13	V _{CC}	T5	IO138PPB3	U19	GDA0/IO79VDB1
P14	GND	T6	GEC1/IO137PPB3	U20	NC
P15	V _{CC} B1	T7	IO131RSB2	U21	NC
P16	GDB0/IO78VPB1	T8	GNDQ	U22	NC
P17	IO76VDB1	T9	GEA2/IO134RSB2	V1	NC
P18	IO76UDB1	T10	IO117RSB2	V2	NC
P19	IO75PDB1	T11	IO111RSB2	V3	GND
P20	NC	T12	IO99RSB2	V4	GEA1/IO135PDB3
P21	NC	T13	IO94RSB2	V5	GEA0/IO135NDB3
P22	NC	T14	IO87RSB2	V6	IO127RSB2
R1	NC	T15	GNDQ	V7	GEC2/IO132RSB2
R2	NC	T16	IO93RSB2	V8	IO123RSB2
R3	V _{CC}	T17	V _{JTAG}	V9	IO118RSB2
R4	IO140PDB3	T18	GDC0/IO77VDB1	V10	IO112RSB2
R5	IO130RSB2	T19	GDA1/IO79UDB1	V11	IO106RSB2
R6	IO138NPB3	T20	NC	V12	IO100RSB2
R7	GEC0/IO137NPB3	T21	NC	V13	IO96RSB2
R8	VMV3	T22	NC	V14	IO89RSB2

484-Pin FBGA	
Pin Number	AGL400 Function
V15	IO85RSB2
V16	GDB2/IO81RSB2
V17	TDI
V18	NC
V19	TDO
V20	GND
V21	NC
V22	NC
W1	NC
W2	NC
W3	NC
W4	GND
W5	IO126RSB2
W6	FF/GEB2/IO133RSB2
W7	IO124RSB2
W8	IO116RSB2
W9	IO113RSB2
W10	IO107RSB2
W11	IO105RSB2
W12	IO102RSB2
W13	IO97RSB2
W14	IO92RSB2
W15	GDC2/IO82RSB2
W16	IO86RSB2
W17	GDA2/IO80RSB2
W18	TMS
W19	GND
W20	NC
W21	NC
W22	NC
Y1	V _{CC} B3
Y2	NC
Y3	NC
Y4	NC
Y5	GND
Y6	NC

484-Pin FBGA	
Pin Number	AGL400 Function
Y7	NC
Y8	V _{CC}
Y9	V _{CC}
Y10	NC
Y11	NC
Y12	NC
Y13	NC
Y14	V _{CC}
Y15	V _{CC}
Y16	NC
Y17	NC
Y18	GND
Y19	NC
Y20	NC
Y21	NC
Y22	V _{CC} B1

484-Pin FBGA		484-Pin FBGA		484-Pin FBGA	
Pin Number	AGL600 Function	Pin Number	AGL600 Function	Pin Number	AGL600 Function
A1	GND	AA15	NC	B7	IO12RSB0
A2	GND	AA16	IO101RSB2	B8	NC
A3	V _{CC} I B0	AA17	NC	B9	NC
A4	NC	AA18	NC	B10	IO17RSB0
A5	NC	AA19	NC	B11	NC
A6	IO09RSB0	AA20	NC	B12	NC
A7	IO15RSB0	AA21	V _{CC} I B1	B13	IO36RSB0
A8	NC	AA22	GND	B14	NC
A9	NC	AB1	GND	B15	NC
A10	IO22RSB0	AB2	GND	B16	IO47RSB0
A11	IO23RSB0	AB3	V _{CC} I B2	B17	IO49RSB0
A12	IO29RSB0	AB4	NC	B18	NC
A13	IO35RSB0	AB5	NC	B19	NC
A14	NC	AB6	IO130RSB2	B20	NC
A15	NC	AB7	IO128RSB2	B21	V _{CC} I B1
A16	IO46RSB0	AB8	IO122RSB2	B22	GND
A17	IO48RSB0	AB9	IO116RSB2	C1	V _{CC} I B3
A18	NC	AB10	NC	C2	NC
A19	NC	AB11	NC	C3	NC
A20	V _{CC} I B0	AB12	IO113RSB2	C4	NC
A21	GND	AB13	IO112RSB2	C5	GND
A22	GND	AB14	NC	C6	NC
AA1	GND	AB15	NC	C7	NC
AA2	V _{CC} I B3	AB16	IO100RSB2	C8	V _{CC}
AA3	NC	AB17	IO95RSB2	C9	V _{CC}
AA4	NC	AB18	NC	C10	NC
AA5	NC	AB19	NC	C11	NC
AA6	IO135RSB2	AB20	V _{CC} I B2	C12	NC
AA7	IO133RSB2	AB21	GND	C13	NC
AA8	NC	AB22	GND	C14	V _{CC}
AA9	NC	B1	GND	C15	V _{CC}
AA10	NC	B2	V _{CC} I B3	C16	NC
AA11	NC	B3	NC	C17	NC
AA12	NC	B4	NC	C18	GND
AA13	NC	B5	NC	C19	NC
AA14	NC	B6	IO08RSB0	C20	NC

484-Pin FBGA		484-Pin FBGA		484-Pin FBGA	
Pin Number	AGL600 Function	Pin Number	AGL600 Function	Pin Number	AGL600 Function
C21	NC	E13	IO38RSB0	G5	IO171PDB3
C22	V _{CC} B1	E14	IO42RSB0	G6	GAC2/IO172PDB3
D1	NC	E15	GBC1/IO55RSB0	G7	IO06RSB0
D2	NC	E16	GBB0/IO56RSB0	G8	GNDQ
D3	NC	E17	IO52RSB0	G9	IO10RSB0
D4	GND	E18	GBA2/IO60PDB1	G10	IO19RSB0
D5	GAA0/IO00RSB0	E19	IO60NDB1	G11	IO26RSB0
D6	GAA1/IO01RSB0	E20	GND	G12	IO30RSB0
D7	GAB0/IO02RSB0	E21	NC	G13	IO40RSB0
D8	IO11RSB0	E22	NC	G14	IO45RSB0
D9	IO16RSB0	F1	NC	G15	GNDQ
D10	IO18RSB0	F2	NC	G16	IO50RSB0
D11	IO28RSB0	F3	NC	G17	GBB2/IO61PPB1
D12	IO34RSB0	F4	IO173NDB3	G18	IO53RSB0
D13	IO37RSB0	F5	IO174NDB3	G19	IO63NDB1
D14	IO41RSB0	F6	VMV3	G20	NC
D15	IO43RSB0	F7	IO07RSB0	G21	NC
D16	GBB1/IO57RSB0	F8	GAC0/IO04RSB0	G22	NC
D17	GBA0/IO58RSB0	F9	GAC1/IO05RSB0	H1	NC
D18	GBA1/IO59RSB0	F10	IO20RSB0	H2	NC
D19	GND	F11	IO24RSB0	H3	V _{CC}
D20	NC	F12	IO33RSB0	H4	IO166PDB3
D21	NC	F13	IO39RSB0	H5	IO167NPB3
D22	NC	F14	IO44RSB0	H6	IO172NDB3
E1	NC	F15	GBC0/IO54RSB0	H7	IO169NDB3
E2	NC	F16	IO51RSB0	H8	VMV0
E3	GND	F17	VMV0	H9	V _{CC} B0
E4	GAB2/IO173PDB3	F18	IO61NPB1	H10	V _{CC} B0
E5	GAA2/IO174PDB3	F19	IO63PDB1	H11	IO25RSB0
E6	GNDQ	F20	NC	H12	IO31RSB0
E7	GAB1/IO03RSB0	F21	NC	H13	V _{CC} B0
E8	IO13RSB0	F22	NC	H14	V _{CC} B0
E9	IO14RSB0	G1	IO170NDB3	H15	VMV1
E10	IO21RSB0	G2	IO170PDB3	H16	GBC2/IO62PDB1
E11	IO27RSB0	G3	NC	H17	IO67PPB1
E12	IO32RSB0	G4	IO171NDB3	H18	IO64PPB1

484-Pin FBGA		484-Pin FBGA		484-Pin FBGA	
Pin Number	AGL600 Function	Pin Number	AGL600 Function	Pin Number	AGL600 Function
H19	IO66PDB1	K11	GND	M3	IO158NPB3
H20	V _{CC}	K12	GND	M4	GFA2/IO161PPB3
H21	NC	K13	GND	M5	GFA1/IO162PDB3
H22	NC	K14	V _{CC}	M6	V _{CCPLF}
J1	NC	K15	V _{CC} B1	M7	IO160NDB3
J2	NC	K16	GCC1/IO69PPB1	M8	GFB2/IO160PDB3
J3	NC	K17	IO65NPB1	M9	V _{CC}
J4	IO166NDB3	K18	IO75PDB1	M10	GND
J5	IO168NPB3	K19	IO75NDB1	M11	GND
J6	IO167PPB3	K20	NC	M12	GND
J7	IO169PDB3	K21	IO76NDB1	M13	GND
J8	V _{CC} B3	K22	IO76PDB1	M14	V _{CC}
J9	GND	L1	NC	M15	GCB2/IO73PPB1
J10	V _{CC}	L2	IO155PDB3	M16	GCA1/IO71PPB1
J11	V _{CC}	L3	NC	M17	GCC2/IO74PPB1
J12	V _{CC}	L4	GFB0/IO163NPB3	M18	IO80PPB1
J13	V _{CC}	L5	GFA0/IO162NDB3	M19	GCA2/IO72PDB1
J14	GND	L6	GFB1/IO163PPB3	M20	IO79PPB1
J15	V _{CC} B1	L7	V _{COMPLF}	M21	IO78PPB1
J16	IO62NDB1	L8	GFC0/IO164NPB3	M22	NC
J17	IO64NPB1	L9	V _{CC}	N1	IO154NDB3
J18	IO65PPB1	L10	GND	N2	IO154PDB3
J19	IO66NDB1	L11	GND	N3	NC
J20	NC	L12	GND	N4	GFC2/IO159PDB3
J21	IO68PDB1	L13	GND	N5	IO161NPB3
J22	IO68NDB1	L14	V _{CC}	N6	IO156PPB3
K1	IO157PDB3	L15	GCC0/IO69NPB1	N7	IO129RSB2
K2	IO157NDB3	L16	GCB1/IO70PPB1	N8	V _{CC} B3
K3	NC	L17	GCA0/IO71NPB1	N9	V _{CC}
K4	IO165NDB3	L18	IO67NPB1	N10	GND
K5	IO165PDB3	L19	GCB0/IO70NPB1	N11	GND
K6	IO168PPB3	L20	IO77PDB1	N12	GND
K7	GFC1/IO164PPB3	L21	IO77NDB1	N13	GND
K8	V _{CC} B3	L22	IO78NPB1	N14	V _{CC}
K9	V _{CC}	M1	NC	N15	V _{CC} B1
K10	GND	M2	IO155NDB3	N16	IO73NPB1

484-Pin FBGA	
Pin Number	AGL600 Function
N17	IO80NPB1
N18	IO74NPB1
N19	IO72NDB1
N20	NC
N21	IO79NPB1
N22	NC
P1	NC
P2	IO153PDB3
P3	IO153NDB3
P4	IO159NDB3
P5	IO156NPB3
P6	IO151PPB3
P7	IO158PPB3
P8	V _{CC} B3
P9	GND
P10	V _{CC}
P11	V _{CC}
P12	V _{CC}
P13	V _{CC}
P14	GND
P15	V _{CC} B1
P16	GDB0/IO87NPB1
P17	IO85NDB1
P18	IO85PDB1
P19	IO84PDB1
P20	NC
P21	IO81PDB1
P22	NC
R1	NC
R2	NC
R3	V _{CC}
R4	IO150PDB3
R5	IO151NPB3
R6	IO147NPB3
R7	GEC0/IO146NPB3
R8	VMV3

484-Pin FBGA	
Pin Number	AGL600 Function
R9	V _{CC} B2
R10	V _{CC} B2
R11	IO117RSB2
R12	IO110RSB2
R13	V _{CC} B2
R14	V _{CC} B2
R15	VMV2
R16	IO94RSB2
R17	GDB1/IO87PPB1
R18	GDC1/IO86PDB1
R19	IO84NDB1
R20	V _{CC}
R21	IO81NDB1
R22	IO82PDB1
T1	IO152PDB3
T2	IO152NDB3
T3	NC
T4	IO150NDB3
T5	IO147PPB3
T6	GEC1/IO146PPB3
T7	IO140RSB2
T8	GNDQ
T9	GEA2/IO143RSB2
T10	IO126RSB2
T11	IO120RSB2
T12	IO108RSB2
T13	IO103RSB2
T14	IO99RSB2
T15	GNDQ
T16	IO92RSB2
T17	V _{JTAG}
T18	GDC0/IO86NDB1
T19	GDA1/IO88PDB1
T20	NC
T21	IO83PDB1
T22	IO82NDB1

484-Pin FBGA	
Pin Number	AGL600 Function
U1	IO149PDB3
U2	IO149NDB3
U3	NC
U4	GEB1/IO145PDB3
U5	GEB0/IO145NDB3
U6	VMV2
U7	IO138RSB2
U8	IO136RSB2
U9	IO131RSB2
U10	IO124RSB2
U11	IO119RSB2
U12	IO107RSB2
U13	IO104RSB2
U14	IO97RSB2
U15	VMV1
U16	TCK
U17	V _{PUMP}
U18	TRST
U19	GDA0/IO88NDB1
U20	NC
U21	IO83NDB1
U22	NC
V1	NC
V2	NC
V3	GND
V4	GEA1/IO144PDB3
V5	GEA0/IO144NDB3
V6	IO139RSB2
V7	GEC2/IO141RSB2
V8	IO132RSB2
V9	IO127RSB2
V10	IO121RSB2
V11	IO114RSB2
V12	IO109RSB2
V13	IO105RSB2
V14	IO98RSB2

484-Pin FBGA	
Pin Number	AGL600 Function
V15	IO96RSB2
V16	GDB2/IO90RSB2
V17	TDI
V18	GNDQ
V19	TDO
V20	GND
V21	NC
V22	NC
W1	NC
W2	IO148PDB3
W3	NC
W4	GND
W5	IO137RSB2
W6	FF/GEB2/IO142RSB2
W7	IO134RSB2
W8	IO125RSB2
W9	IO123RSB2
W10	IO118RSB2
W11	IO115RSB2
W12	IO111RSB2
W13	IO106RSB2
W14	IO102RSB2
W15	GDC2/IO91RSB2
W16	IO93RSB2
W17	GDA2/IO89RSB2
W18	TMS
W19	GND
W20	NC
W21	NC
W22	NC
Y1	V _{CC} B3
Y2	IO148NDB3
Y3	NC
Y4	NC
Y5	GND
Y6	NC

484-Pin FBGA	
Pin Number	AGL600 Function
Y7	NC
Y8	V _{CC}
Y9	V _{CC}
Y10	NC
Y11	NC
Y12	NC
Y13	NC
Y14	V _{CC}
Y15	V _{CC}
Y16	NC
Y17	NC
Y18	GND
Y19	NC
Y20	NC
Y21	NC
Y22	V _{CC} B1

484-Pin FBGA		484-Pin FBGA		484-Pin FBGA	
Pin Number	AGL1000 Function	Pin Number	AGL1000 Function	Pin Number	AGL1000 Function
A1	GND	AA15	NC	B7	IO15RSB0
A2	GND	AA16	IO122RSB2	B8	IO19RSB0
A3	V _{CCI} B0	AA17	IO119RSB2	B9	IO24RSB0
A4	IO07RSB0	AA18	IO117RSB2	B10	IO31RSB0
A5	IO09RSB0	AA19	NC	B11	IO39RSB0
A6	IO13RSB0	AA20	NC	B12	IO48RSB0
A7	IO18RSB0	AA21	V _{CCI} B1	B13	IO54RSB0
A8	IO20RSB0	AA22	GND	B14	IO58RSB0
A9	IO26RSB0	AB1	GND	B15	IO63RSB0
A10	IO32RSB0	AB2	GND	B16	IO66RSB0
A11	IO40RSB0	AB3	V _{CCI} B2	B17	IO68RSB0
A12	IO41RSB0	AB4	IO180RSB2	B18	IO70RSB0
A13	IO53RSB0	AB5	IO176RSB2	B19	NC
A14	IO59RSB0	AB6	IO173RSB2	B20	NC
A15	IO64RSB0	AB7	IO167RSB2	B21	V _{CCI} B1
A16	IO65RSB0	AB8	IO162RSB2	B22	GND
A17	IO67RSB0	AB9	IO156RSB2	C1	V _{CCI} B3
A18	IO69RSB0	AB10	IO150RSB2	C2	IO220PDB3
A19	NC	AB11	IO145RSB2	C3	NC
A20	V _{CCI} B0	AB12	IO144RSB2	C4	NC
A21	GND	AB13	IO132RSB2	C5	GND
A22	GND	AB14	IO127RSB2	C6	IO10RSB0
AA1	GND	AB15	IO126RSB2	C7	IO14RSB0
AA2	V _{CCI} B3	AB16	IO123RSB2	C8	V _{CC}
AA3	NC	AB17	IO121RSB2	C9	V _{CC}
AA4	IO181RSB2	AB18	IO118RSB2	C10	IO30RSB0
AA5	IO178RSB2	AB19	NC	C11	IO37RSB0
AA6	IO175RSB2	AB20	V _{CCI} B2	C12	IO43RSB0
AA7	IO169RSB2	AB21	GND	C13	NC
AA8	IO166RSB2	AB22	GND	C14	V _{CC}
AA9	IO160RSB2	B1	GND	C15	V _{CC}
AA10	IO152RSB2	B2	V _{CCI} B3	C16	NC
AA11	IO146RSB2	B3	NC	C17	NC
AA12	IO139RSB2	B4	IO06RSB0	C18	GND
AA13	IO133RSB2	B5	IO08RSB0	C19	NC
AA14	NC	B6	IO12RSB0	C20	NC

484-Pin FBGA		484-Pin FBGA		484-Pin FBGA	
Pin Number	AGL1000 Function	Pin Number	AGL1000 Function	Pin Number	AGL1000 Function
C21	NC	E13	IO51RSB0	G5	IO222PDB3
C22	V _{CC} B1	E14	IO57RSB0	G6	GAC2/IO223PDB3
D1	IO219PDB3	E15	GBC1/IO73RSB0	G7	IO223NDB3
D2	IO220NDB3	E16	GBB0/IO74RSB0	G8	GNDQ
D3	NC	E17	IO71RSB0	G9	IO23RSB0
D4	GND	E18	GBA2/IO78PDB1	G10	IO29RSB0
D5	GAA0/IO00RSB0	E19	IO81PDB1	G11	IO33RSB0
D6	GAA1/IO01RSB0	E20	GND	G12	IO46RSB0
D7	GAB0/IO02RSB0	E21	NC	G13	IO52RSB0
D8	IO16RSB0	E22	IO84PDB1	G14	IO60RSB0
D9	IO22RSB0	F1	NC	G15	GNDQ
D10	IO28RSB0	F2	IO215PDB3	G16	IO80NDB1
D11	IO35RSB0	F3	IO215NDB3	G17	GBB2/IO79PDB1
D12	IO45RSB0	F4	IO224NDB3	G18	IO79NDB1
D13	IO50RSB0	F5	IO225NDB3	G19	IO82NPB1
D14	IO55RSB0	F6	VMV3	G20	IO85PDB1
D15	IO61RSB0	F7	IO11RSB0	G21	IO85NDB1
D16	GBB1/IO75RSB0	F8	GAC0/IO04RSB0	G22	NC
D17	GBA0/IO76RSB0	F9	GAC1/IO05RSB0	H1	NC
D18	GBA1/IO77RSB0	F10	IO25RSB0	H2	NC
D19	GND	F11	IO36RSB0	H3	V _{CC}
D20	NC	F12	IO42RSB0	H4	IO217PDB3
D21	NC	F13	IO49RSB0	H5	IO218PDB3
D22	NC	F14	IO56RSB0	H6	IO221NDB3
E1	IO219NDB3	F15	GBC0/IO72RSB0	H7	IO221PDB3
E2	NC	F16	IO62RSB0	H8	VMV0
E3	GND	F17	VMV0	H9	V _{CC} B0
E4	GAB2/IO224PDB3	F18	IO78NDB1	H10	V _{CC} B0
E5	GAA2/IO225PDB3	F19	IO81NDB1	H11	IO38RSB0
E6	GNDQ	F20	IO82PPB1	H12	IO47RSB0
E7	GAB1/IO03RSB0	F21	NC	H13	V _{CC} B0
E8	IO17RSB0	F22	IO84NDB1	H14	V _{CC} B0
E9	IO21RSB0	G1	IO214NDB3	H15	VMV1
E10	IO27RSB0	G2	IO214PDB3	H16	GBC2/IO80PDB1
E11	IO34RSB0	G3	NC	H17	IO83PPB1
E12	IO44RSB0	G4	IO222NDB3	H18	IO86PPB1

484-Pin FBGA		484-Pin FBGA		484-Pin FBGA	
Pin Number	AGL1000 Function	Pin Number	AGL1000 Function	Pin Number	AGL1000 Function
H19	IO87PDB1	K11	GND	M3	IO206NDB3
H20	V _{CC}	K12	GND	M4	GFA2/IO206PDB3
H21	NC	K13	GND	M5	GFA1/IO207PDB3
H22	NC	K14	V _{CC}	M6	V _{CCPLF}
J1	IO212NDB3	K15	V _{CC} B1	M7	IO205NDB3
J2	IO212PDB3	K16	GCC1/IO91PPB1	M8	GFB2/IO205PDB3
J3	NC	K17	IO90NPB1	M9	V _{CC}
J4	IO217NDB3	K18	IO88PDB1	M10	GND
J5	IO218NDB3	K19	IO88NDB1	M11	GND
J6	IO216PDB3	K20	IO94NPB1	M12	GND
J7	IO216NDB3	K21	IO98NDB1	M13	GND
J8	V _{CC} B3	K22	IO98PDB1	M14	V _{CC}
J9	GND	L1	NC	M15	GCB2/IO95PPB1
J10	V _{CC}	L2	IO200PDB3	M16	GCA1/IO93PPB1
J11	V _{CC}	L3	IO210NPB3	M17	GCC2/IO96PPB1
J12	V _{CC}	L4	GFB0/IO208NPB3	M18	IO100PPB1
J13	V _{CC}	L5	GFA0/IO207NDB3	M19	GCA2/IO94PPB1
J14	GND	L6	GFB1/IO208PPB3	M20	IO101PPB1
J15	V _{CC} B1	L7	V _{CC} OMPLF	M21	IO99PPB1
J16	IO83NPB1	L8	GFC0/IO209NPB3	M22	NC
J17	IO86NPB1	L9	V _{CC}	N1	IO201NDB3
J18	IO90PPB1	L10	GND	N2	IO201PDB3
J19	IO87NDB1	L11	GND	N3	NC
J20	NC	L12	GND	N4	GFC2/IO204PDB3
J21	IO89PDB1	L13	GND	N5	IO204NDB3
J22	IO89NDB1	L14	V _{CC}	N6	IO203NDB3
K1	IO211PDB3	L15	GCC0/IO91NPB1	N7	IO203PDB3
K2	IO211NDB3	L16	GCB1/IO92PPB1	N8	V _{CC} B3
K3	NC	L17	GCA0/IO93NPB1	N9	V _{CC}
K4	IO210PPB3	L18	IO96NPB1	N10	GND
K5	IO213NDB3	L19	GCB0/IO92NPB1	N11	GND
K6	IO213PDB3	L20	IO97PDB1	N12	GND
K7	GFC1/IO209PPB3	L21	IO97NDB1	N13	GND
K8	V _{CC} B3	L22	IO99NPB1	N14	V _{CC}
K9	V _{CC}	M1	NC	N15	V _{CC} B1
K10	GND	M2	IO200NDB3	N16	IO95NPB1

484-Pin FBGA	
Pin Number	AGL1000 Function
N17	IO100NPB1
N18	IO102NDB1
N19	IO102PDB1
N20	NC
N21	IO101NPB1
N22	IO103PDB1
P1	NC
P2	IO199PDB3
P3	IO199NDB3
P4	IO202NDB3
P5	IO202PDB3
P6	IO196PPB3
P7	IO193PPB3
P8	V _{CC} B3
P9	GND
P10	V _{CC}
P11	V _{CC}
P12	V _{CC}
P13	V _{CC}
P14	GND
P15	V _{CC} B1
P16	GDB0/IO112NPB1
P17	IO106NDB1
P18	IO106PDB1
P19	IO107PDB1
P20	NC
P21	IO104PDB1
P22	IO103NDB1
R1	NC
R2	IO197PPB3
R3	V _{CC}
R4	IO197NPB3
R5	IO196NPB3
R6	IO193NPB3
R7	GEC0/IO190NPB3
R8	VMV3

484-Pin FBGA	
Pin Number	AGL1000 Function
R9	V _{CCI} B2
R10	V _{CCI} B2
R11	IO147RSB2
R12	IO136RSB2
R13	V _{CCI} B2
R14	V _{CCI} B2
R15	VMV2
R16	IO110NDB1
R17	GDB1/IO112PPB1
R18	GDC1/IO111PDB1
R19	IO107NDB1
R20	V _{CC}
R21	IO104NDB1
R22	IO105PDB1
T1	IO198PDB3
T2	IO198NDB3
T3	NC
T4	IO194PPB3
T5	IO192PPB3
T6	GEC1/IO190PPB3
T7	IO192NPB3
T8	GNDQ
T9	GEA2/IO187RSB2
T10	IO161RSB2
T11	IO155RSB2
T12	IO141RSB2
T13	IO129RSB2
T14	IO124RSB2
T15	GNDQ
T16	IO110PDB1
T17	V _{JTAG}
T18	GDC0/IO111NDB1
T19	GDA1/IO113PDB1
T20	NC
T21	IO108PDB1
T22	IO105NDB1

484-Pin FBGA	
Pin Number	AGL1000 Function
U1	IO195PDB3
U2	IO195NDB3
U3	IO194NPB3
U4	GEB1/IO189PDB3
U5	GEB0/IO189NDB3
U6	VMV2
U7	IO179RSB2
U8	IO171RSB2
U9	IO165RSB2
U10	IO159RSB2
U11	IO151RSB2
U12	IO137RSB2
U13	IO134RSB2
U14	IO128RSB2
U15	VMV1
U16	TCK
U17	V _{PUMP}
U18	TRST
U19	GDA0/IO113NDB1
U20	NC
U21	IO108NDB1
U22	IO109PDB1
V1	NC
V2	NC
V3	GND
V4	GEA1/IO188PDB3
V5	GEA0/IO188NDB3
V6	IO184RSB2
V7	GEC2/IO185RSB2
V8	IO168RSB2
V9	IO163RSB2
V10	IO157RSB2
V11	IO149RSB2
V12	IO143RSB2
V13	IO138RSB2
V14	IO131RSB2

484-Pin FBGA	
Pin Number	AGL1000 Function
V15	IO125RSB2
V16	GDB2/IO115RSB2
V17	TDI
V18	GNDQ
V19	TDO
V20	GND
V21	NC
V22	IO109NDB1
W1	NC
W2	IO191PDB3
W3	NC
W4	GND
W5	IO183RSB2
W6	FF/GEB2/IO186RSB2
W7	IO172RSB2
W8	IO170RSB2
W9	IO164RSB2
W10	IO158RSB2
W11	IO153RSB2
W12	IO142RSB2
W13	IO135RSB2
W14	IO130RSB2
W15	GDC2/IO116RSB2
W16	IO120RSB2
W17	GDA2/IO114RSB2
W18	TMS
W19	GND
W20	NC
W21	NC
W22	NC
Y1	V _{CC} I B3
Y2	IO191NDB3
Y3	NC
Y4	IO182RSB2
Y5	GND
Y6	IO177RSB2

484-Pin FBGA	
Pin Number	AGL1000 Function
Y7	IO174RSB2
Y8	V _{CC}
Y9	V _{CC}
Y10	IO154RSB2
Y11	IO148RSB2
Y12	IO140RSB2
Y13	NC
Y14	V _{CC}
Y15	V _{CC}
Y16	NC
Y17	NC
Y18	GND
Y19	NC
Y20	NC
Y21	NC
Y22	V _{CC} I B1

Part Number and Revision Date

Part Number 51700095-003-9

Revised February 2009

List of Changes

The following table lists critical changes that were made in the current version of the chapter.

Previous Version	Changes in Current Version (v1.9)	Page
v1.8 (January 2009)	The "132-Pin QFN" pin table for the AGL060 device is new.	3-30
v1.7 (December 2008)	The "121-Pin CSP" pin table was revised to add a note regarding pins F1 and G1.	3-6
v1.6 (October 2008)	The "48-Pin QFP" pin diagram and pin table are new.	3-22
	The "68-Pin QFN" pin table is new.	3-26
	The AGL600 Function for pin K15 in the "484-Pin FBGA" table was changed to V_{CC1B1} .	3-66
v1.5 (June 2008)	The "196-pin CSP" table for the AGL400 device is new.	3-12
	The "144-Pin FBGA" table for the AGL400 device is new.	3-46
	The "256-Pin FBGA" table for the AGL400 device is new.	3-57
	The "484-Pin FBGA" table for the AGL400 device is new.	3-66
v1.4 (June 2008)	Pin numbers were added to the "68-Pin QFN" package diagram. Note 2 was added below the diagram.	3-23
	The "132-Pin QFN" package diagram was updated to include D1 to D4. In addition, note 1 was changed from top view to bottom view, and note 2 is new.	3-27
v1.3 (February 2008)	The "68-Pin QFN" package drawing was updated to include numbers on pins 1 and 68.	3-23
	The "281-Pin CSP" package and pin table was added for AGL1000.	3-18
v1.2 (February 2008)	The "196-Pin CSP" package and pin table was added for AGL250.	3-10
v1.1 (January 2008)	The "68-Pin QFN" section is new.	3-23
v1.0 (January 2008)	The "196-Pin CSP" package and pin table was added for AGL125.	3-7
Advance v0.7 (November 2007)	This document was previously in datasheet Advance v0.7. As a result of moving to the handbook format, Actel has restarted the version numbers. The new version number is v1.0.	N/A

Previous Version	Changes in Current Version (v1.9)	Page
Advance v0.6 (November 2007)	The "121-Pin CSP" and "281-Pin CSP" packages are new.	4-5, 4-7
	The "81-Pin CSP" table for the AGL030 device was updated to change the G6 pin function to IO44RSB1 and the JG pin function to IO45RSB1.	4-4
	The "121-Pin CSP" table for the AGL060 device is new.	4-6
	The "256-Pin FBGA" table for the AGL1000 device is new.	4-34
	The "281-Pin CSP" table for the AGL 600 device is new.	4-8
	The "100-Pin VQFP" table for the AGL060 device is new.	4-18
	The "144-Pin FBGA" table for the AGL250 device is new.	4-24
	The "144-Pin FBGA" table for the AGL1000 device is new.	4-28
	The "484-Pin FBGA" table for the AGL600 device is new.	4-38
	The "484-Pin FBGA" table for the AGL1000 device is new.	4-43
Advance v0.5 (September 2007)	The "81-Pin μ CSP" table for the AGL030 device is new.	4-3
	The "81-Pin CSP" table for the AGL030 device is new.	4-1

Datasheet Categories

Categories

In order to provide the latest information to designers, some datasheets are published before data has been fully characterized. Datasheets are designated as "Product Brief," "Advance," "Preliminary," and "Production." The definitions of these categories are as follows:

Product Brief

The product brief is a summarized version of a datasheet (advance or production) and contains general product information. This document gives an overview of specific device and family information.

Advance

This version contains initial estimated information based on simulation, other products, devices, or speed grades. This information can be used as estimates, but not for production. This label only applies to the DC and Switching Characteristics chapter of the datasheet and will only be used when the data has not been fully characterized.

Preliminary

The datasheet contains information based on simulation and/or initial characterization. The information is believed to be correct, but changes are possible.

Unmarked (production)

This version contains information that is considered to be final.

Export Administration Regulations (EAR)

The products described in this document are subject to the Export Administration Regulations (EAR). They could require an approved export license prior to export from the United States. An export includes release of product or disclosure of technology to a foreign national inside or outside the United States.

Actel Safety Critical, Life Support, and High-Reliability Applications Policy

The Actel products described in this advance status document may not have completed Actel's qualification process. Actel may amend or enhance products during the product introduction and qualification process, resulting in changes in device functionality or performance. It is the responsibility of each customer to ensure the fitness of any Actel product (but especially a new product) for a particular purpose, including appropriateness for safety-critical, life-support, and other high-reliability applications. Consult Actel's Terms and Conditions for specific liability exclusions relating to life-support applications. A reliability report covering all of Actel's products is available on the Actel website at http://www.actel.com/documents/ORT_Report.pdf. Actel also offers a variety of enhanced qualification and lot acceptance screening procedures. Contact your local Actel sales office for additional reliability information.

Actel and the Actel logo are registered trademarks of Actel Corporation.
All other trademarks are the property of their owners.



Actel is the leader in low-power and mixed-signal FPGAs and offers the most comprehensive portfolio of system and power management solutions. Power Matters. Learn more at www.actel.com.

Actel Corporation

2061 Stierlin Court
Mountain View, CA
94043-4655 USA

Phone 650.318.4200

Fax 650.318.4600

Actel Europe Ltd.

River Court, Meadows Business Park
Station Approach, Blackwater
Camberley Surrey GU17 9AB
United Kingdom

Phone +44 (0) 1276 609 300

Fax +44 (0) 1276 607 540

Actel Japan

EXOS Ebisu Building 4F
1-24-14 Ebisu Shibuya-ku
Tokyo 150 Japan

Phone +81.03.3445.7671

Fax +81.03.3445.7668

<http://jp.actel.com>

Actel Hong Kong

Room 2107, China Resources Building
26 Harbour Road
Wanchai, Hong Kong

Phone +852 2185 6460

Fax +852 2185 6488

www.actel.com.cn