

Molded Power Inductor



ASPI-0530LR Series

Request Samples



Check Inventory



5.7 x 5.3 x 3.0 mm
RoHS/RoHS II Compliant
MSL Level = 1

Features

- High saturation current.
- Low loss due to low DC resistance.
- Frequency application up to 3MHz.
- Low profile with max thickness 3.0mm.
- 100% lead free and meets RoHS standard.
- Suitable for reflow soldering.
- High reliable SMD package

Applications

- DC/DC converters.
- Power circuitry for Notebooks, Netbooks, desktops, and servers.
- Low profile, high current power supplies.

Electrical Specifications

Part Number ASPI-0520LR- Inductance Code	Inductance	Tolerance	DCR Typ.	DCR Max	Saturation Current	Temperature Rise Current
Units	μH	%	m Ω	m Ω	A	A
Symbol	L	M			Isat	Irms
ASPI-0530LR-R22	0.22	M	4.0	5.0	23.0	15.0
ASPI-0530LR-R33	0.33	M	5.0	6.0	20.0	12.0
ASPI-0530LR-R47	0.47	M	6.3	7.4	18.0	13.0
ASPI-0530LR-R68	0.68	M	9.1	10.0	14.0	10.0
ASPI-0530LR-1R0	1.0	M	13.0	14.0	11.0	7.0
ASPI-0530LR-1R5	1.5	M	18.5	20.0	7.0	8.0
ASPI-0530LR-2R2	2.2	M	24.0	26.0	5.5	7.0
ASPI-0530LR-3R3	3.3	M	32.0	36.0	5.0	6.5
ASPI-0530LR-4R7	4.7	M	54.0	60.0	4.5	4.5
ASPI-0530LR-5R6	5.6	M	55.0	65.0	4.0	4.5
ASPI-0530LR-6R8	6.8	M	65.0	76.5	4.0	3.8
ASPI-0530LR-100	10.0	M	104	120	3.5	3.2

Test Conditions

1. Inductance is measured in HP-4285A Precision LCR Meter.
2. RDC is measured in HP-4338B milli ohm meter.(or equivalent).
3. Isat: Based on inductance change ($\Delta L/L_0 : \leq -20\%$)
4. Irms: Based on temperature rise ($\Delta T : 40^\circ\text{C TYP.}$)

Operating Temperature: -55°C to $+125^\circ\text{C}$ (Including self-generated heat)

Storage Temperature and Humidity: $+25^\circ\text{C}$ to $+35^\circ\text{C}$, 45% to 85% RH

ASPI-0530LR is **RoHS/RoHS II Compliant and Pb free**

ASPI-0530LR is MSL level: 1

Maximum voltage 30VDC.



5101 Hidden Creek Ln, Spicewood TX 78669
Phone: 512-371-6159 Fax: 512-351-8858
For terms and conditions of sales, please visit:
www.abracon.com

REVISION C : 10/21/2022

ABRACON IS
ISO9001-2015
CERTIFIED

Molded Power Inductor



ASPI-0530LR Series

Request Samples

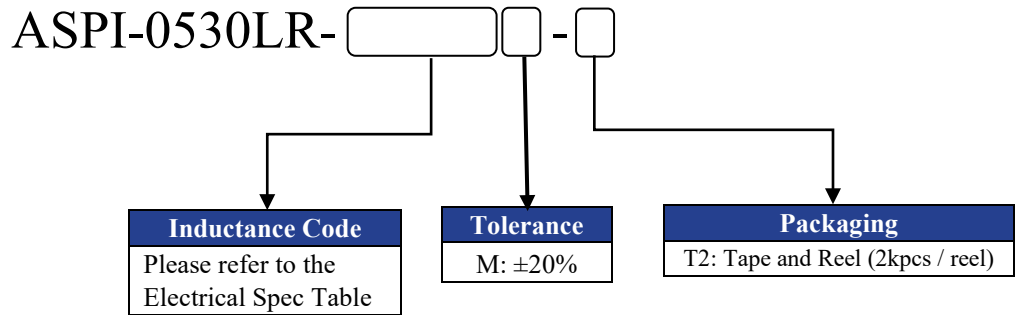


Check Inventory

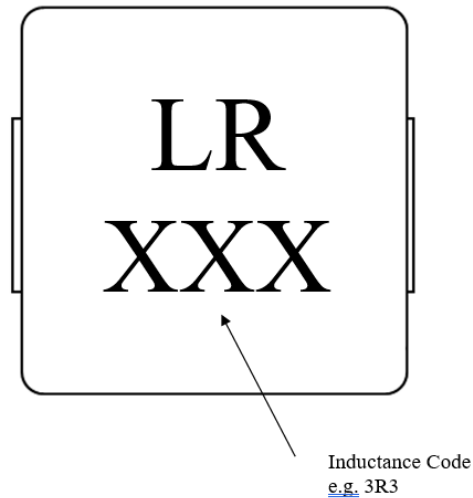


5.7 x 5.3 x 3.0 mm
RoHS/RoHS II Compliant
MSL Level = 1

Part Number Identification



Marking



Marking Method: INK

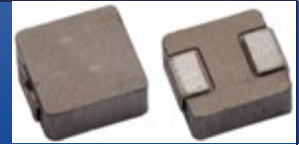


5101 Hidden Creek Ln, Spicewood TX 78669
Phone: 512-371-6159 Fax: 512-351-8858
For terms and conditions of sales, please visit:
www.abracon.com

REVISION C : 10/21/2022

ABRACON IS
ISO9001-2015
CERTIFIED

Molded Power Inductor



ASPI-0530LR Series

Request Samples

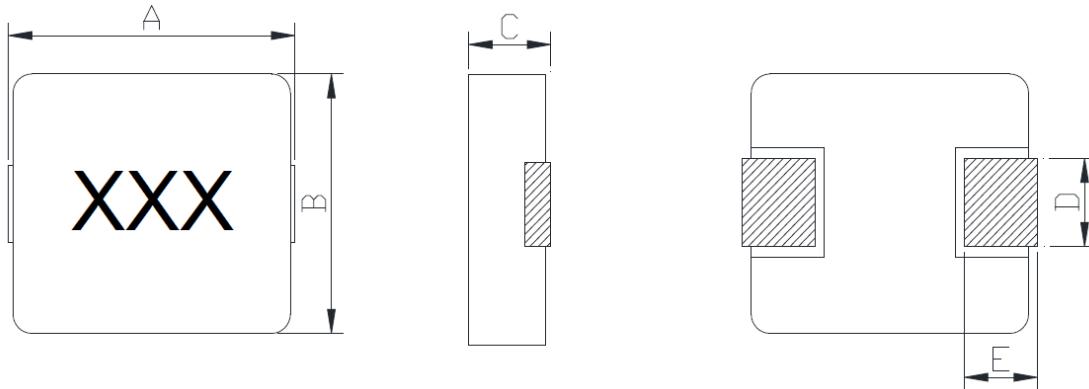


Check Inventory

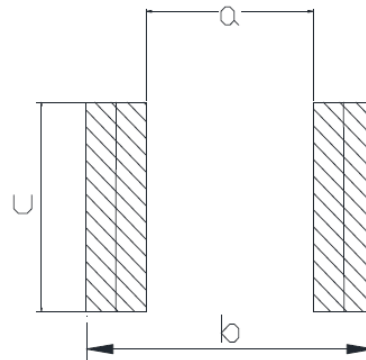


5.7 x 5.3 x 3.0 mm
RoHS/RoHS II Compliant
 MSL Level = 1

Mechanical Specifications



A	B	C	D	E
5.7 ±0.3	5.3 ±0.4	3.0 MAX	2.2 ±0.5	1.2 ±0.5



Recommended Layout

a	b	c
3.0 TYP	7.0 TYP	2.5 TYP

Dimension: mm

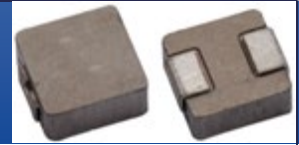


5101 Hidden Creek Ln, Spicewood TX 78669
 Phone: 512-371-6159 Fax: 512-351-8858
 For terms and conditions of sales, please visit:
www.abracon.com

REVISION C : 10/21/2022

ABRACON IS
 ISO9001-2015
 CERTIFIED

Molded Power Inductor



ASPI-0530LR Series

Request Samples



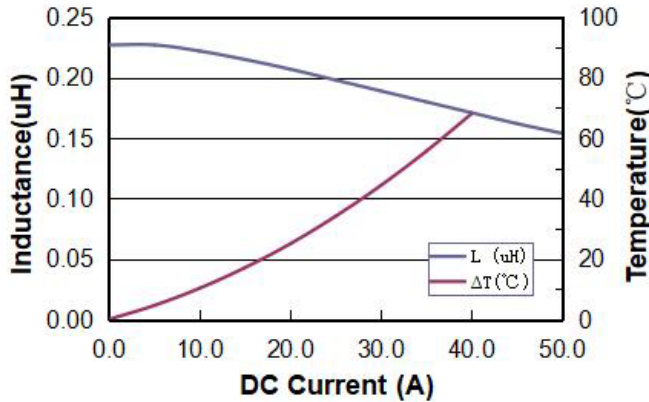
Check Inventory



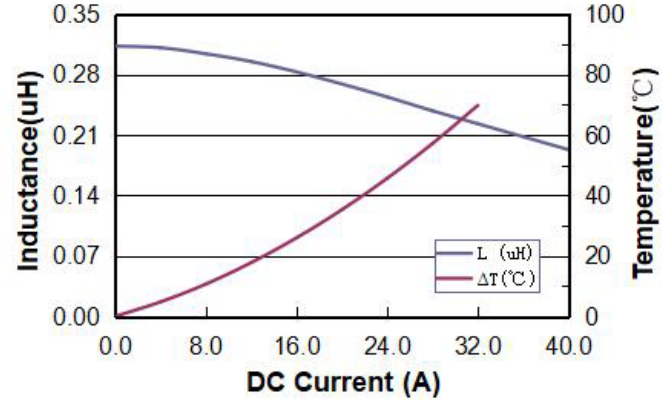
5.7 x 5.3 x 3.0 mm
RoHS/RoHS II Compliant
MSL Level = 1

Performance Graphs

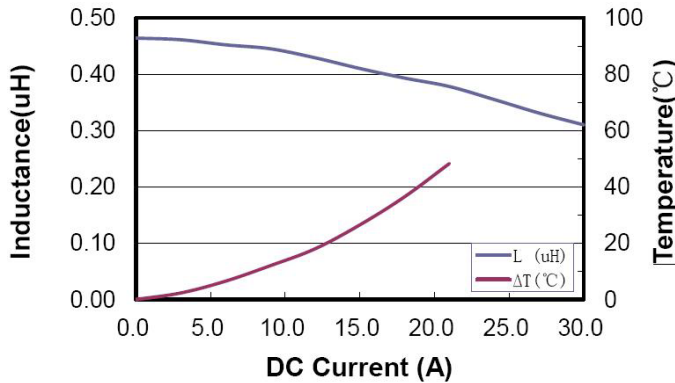
ASPI-0520LR-R22



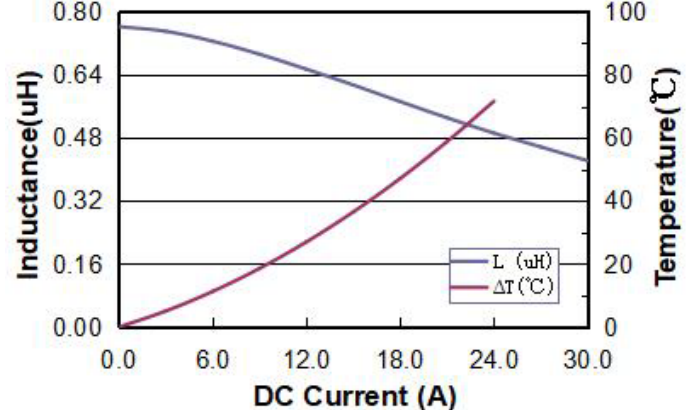
ASPI-0520LR-R33



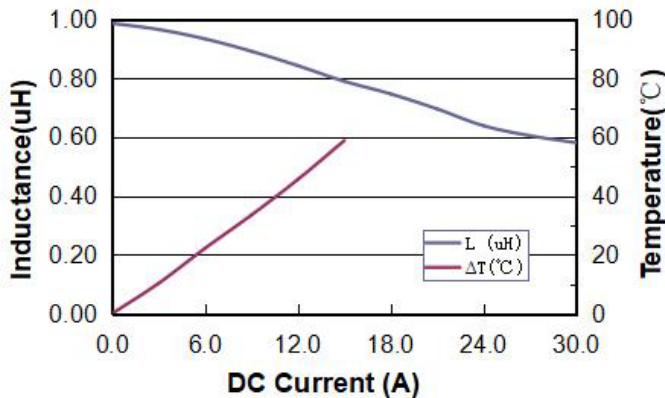
ASPI-0520LR-R47



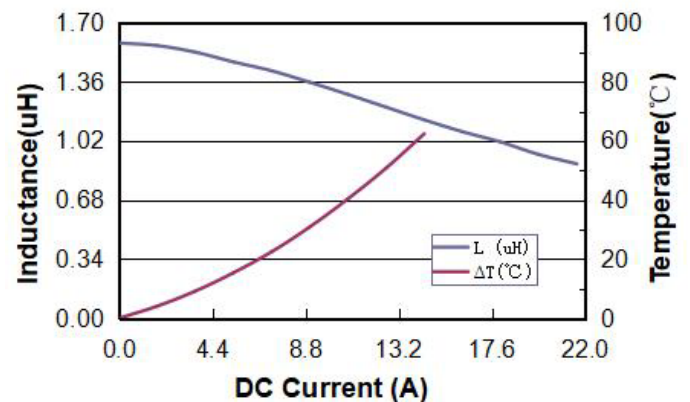
ASPI-0520LR-R68



ASPI-0520LR-1R0



ASPI-0520LR-1R5



5101 Hidden Creek Ln, Spicewood TX 78669
Phone: 512-371-6159 Fax: 512-351-8858
For terms and conditions of sales, please visit:
www.abracon.com

REVISION C : 10/21/2022

ABRACON IS
ISO9001-2015
CERTIFIED

Molded Power Inductor



ASPI-0530LR Series

Request Samples

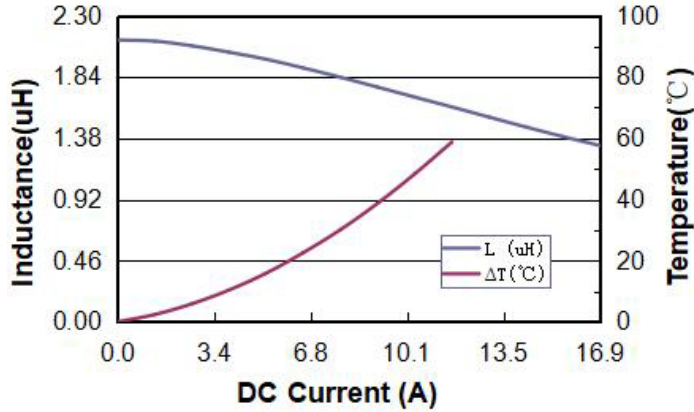


Check Inventory

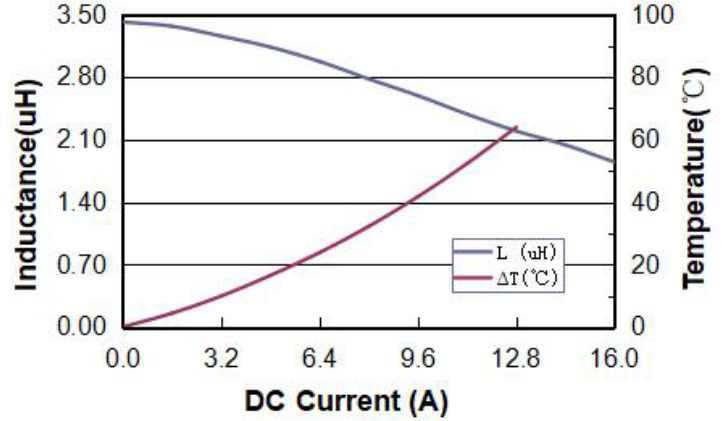


5.7 x 5.3 x 3.0 mm
RoHS/RoHS II Compliant
MSL Level = 1

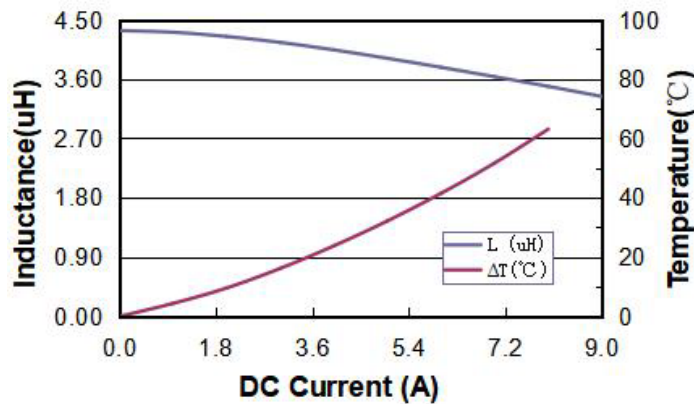
ASPI-0520LR-2R2



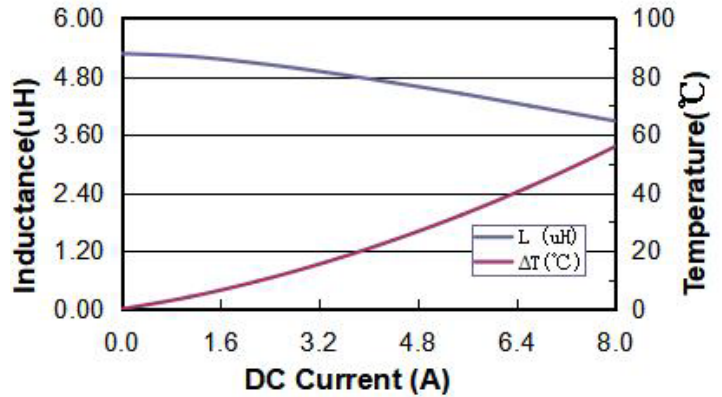
ASPI-0520LR-3R3



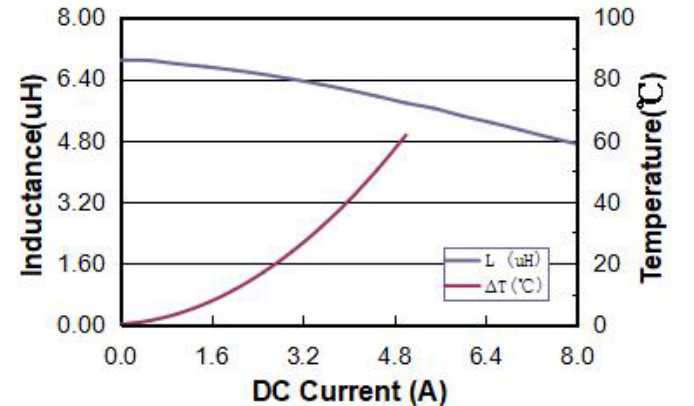
ASPI-0520LR-4R7



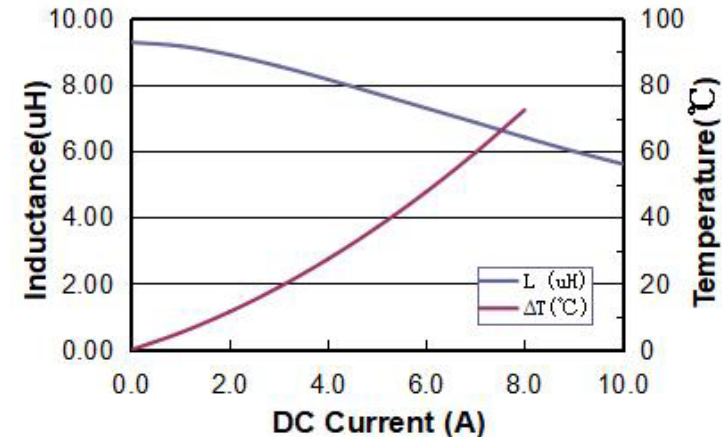
ASPI-0520LR-5R6



ASPI-0520LR-6R8



ASPI-0520LR-6R8

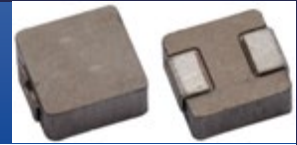


5101 Hidden Creek Ln, Spicewood TX 78669
Phone: 512-371-6159 Fax: 512-351-8858
For terms and conditions of sales, please visit:
www.abracon.com

REVISION C : 10/21/2022

ABRACON IS
ISO9001-2015
CERTIFIED

Molded Power Inductor



ASPI-0530LR Series

Request Samples

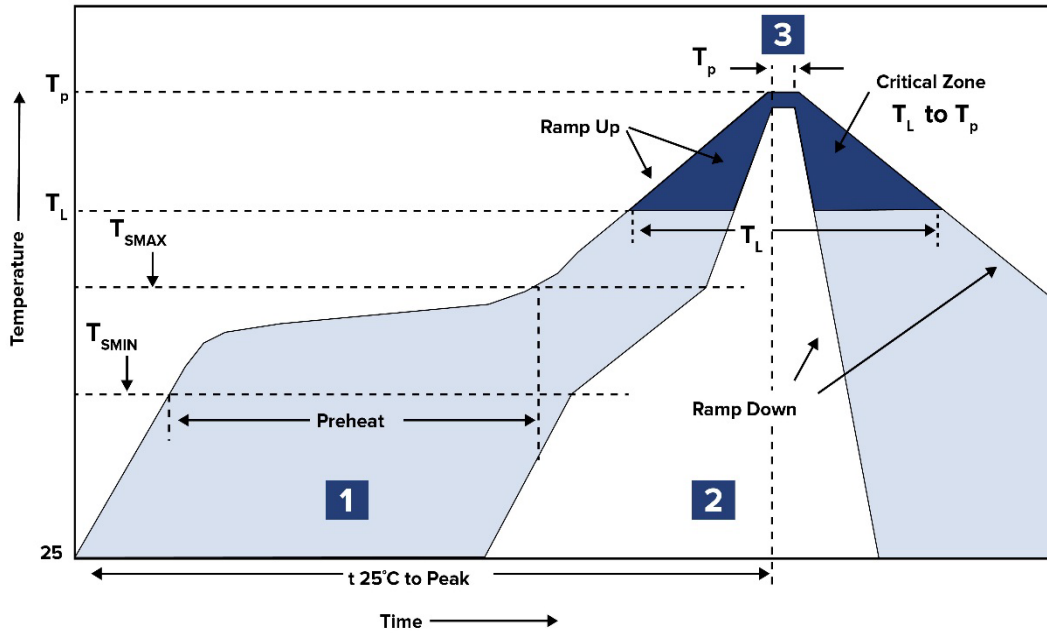


Check Inventory



5.7 x 5.3 x 3.0 mm
 RoHS/RoHS II Compliant
 MSL Level = 1

Reflow Soldering Profile



Zone	Description	Temperature	Times
1	Preheat	$T_{SMIN} \sim T_{SMAX}$ 150°C ~ 180°C	60 ~ 100 sec.
2	Reflow	T_L 200°C	20 sec. MAX
3	Peak heat	T_P 250°C	3 sec. MAX

Molded Power Inductor



ASPI-0530LR Series

Request Samples



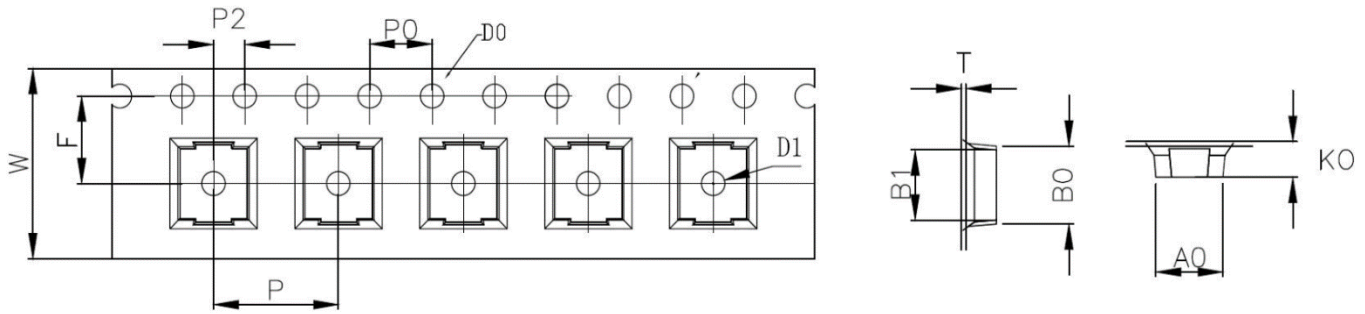
Check Inventory



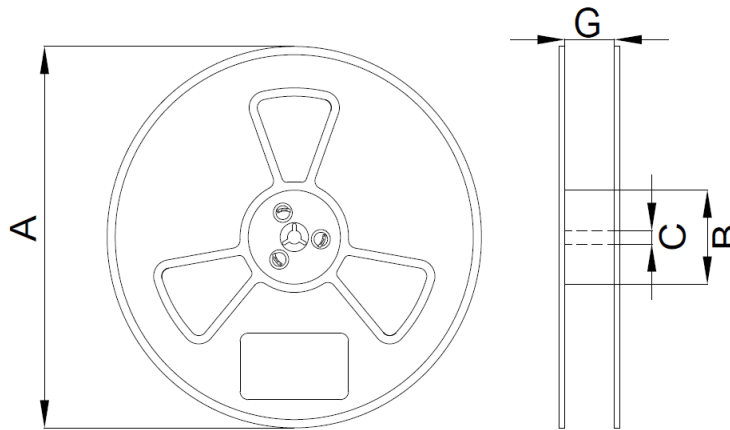
5.7 x 5.3 x 3.0 mm
RoHS/RoHS II Compliant
 MSL Level = 1

Packaging

Tape & Reel: 2,000pcs/Reel



W	A0	B0	K0	P	F	E	D0	P0	P2	T
12.0 ±0.3	5.7 ±0.3	5.9 ±0.3	3.4 ±0.3	8.0 ±0.1	5.5 ±0.1	1.75 ±0.1	1.5 ±0.1	4.0 ±0.1	2.0 ±0.1	±0.35 typ



A	B	C	G
330 ±1.0	100 ±1.0	13.2 ±0.5	12.5 ±0.2

Dimensions: mm

ATTENTION: Abracon LLC's products are COTS – Commercial-Off-The-Shelf products; suitable for Commercial, Industrial and, where designated, Automotive Applications. Abracon's products are not specifically designed for Military, Aviation, Aerospace, Life-dependent Medical applications or any application requiring high reliability where component failure could result in loss of life and/or property. For applications requiring high reliability and/or presenting an extreme operating environment, written consent and authorization from Abracon LLC is required. Please contact Abracon LLC for more information.



5101 Hidden Creek Ln, Spicewood TX 78669
 Phone: 512-371-6159 Fax: 512-351-8858
 For terms and conditions of sales, please visit:
www.abracon.com

REVISION C : 10/21/2022

ABRACON IS
 ISO9001-2015
 CERTIFIED