

# X18M432000S049

Crystal Resonator  
3.2mm x 2.5mm



Powered By ABRACON

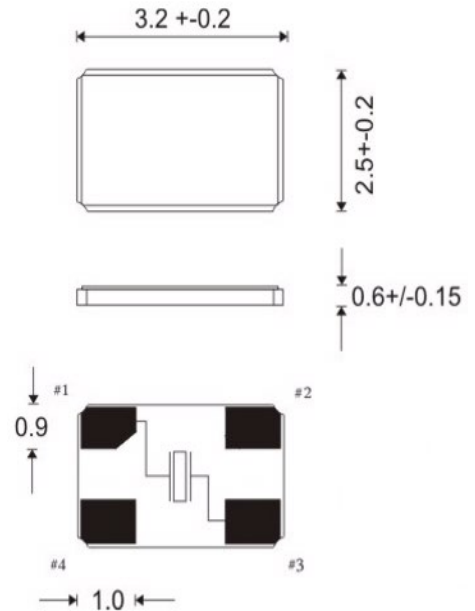
## Features

- SMD Quartz Crystal Oscillator
- Tolerance and Stability:  $\pm 100\text{ppm}$  /  $\pm 100\text{ppm}$
- Operating Temperature  $-40^{\circ}\text{C}$  to  $+85^{\circ}\text{C}$

## STANDARD SPECIFICATIONS

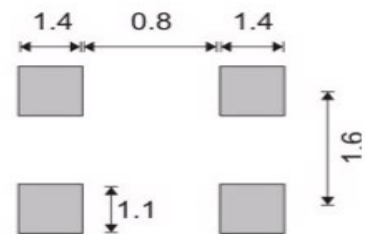
PARAMETERS	MAX (Unless otherwise noted)
Frequency Range	<b>18.432000MHz</b>
Resonance Mode	<b>Fundamental</b>
Frequency Tolerance @ 25°C	<b><math>\pm 100\text{PPM}</math></b>
Frequency Stability, ref 25°C	<b><math>\pm 100\text{PPM}</math></b>
Temperature Range	
Operating (TOPR)	<b><math>-40^{\circ}\text{C}</math> to <math>+85^{\circ}\text{C}</math></b>
Equivalent Series Resistance (ESR)	<b>80 Ohm</b>
Shunt Capacitance (CO)	<b>3.0 pF</b>
Load Capacitance (CL)	<b>16 pF</b>
Drive Level	<b>0.1 mW</b>
Ageing	<b><math>\pm 2\text{PPM}</math> (First Year Max)</b>
Maximum Soldering Temp / Time	<b><math>260^{\circ}\text{C}</math> / 10 seconds x2</b>
Moisture Sensitivity Level (MSL)	<b>1</b>
Termination Finish	<b>Au over Ni</b>
Seal Method	<b>Seam</b>
Lead (Pb) Free	<b>Yes</b>
RoHS Compliant	<b>Yes</b>

## DIMENSIONS / MECHANICAL SPECIFICATIONS



Underside view

#2 & #4 connected via cover  
(Connection to GND recommended)



Dimensions are in mm

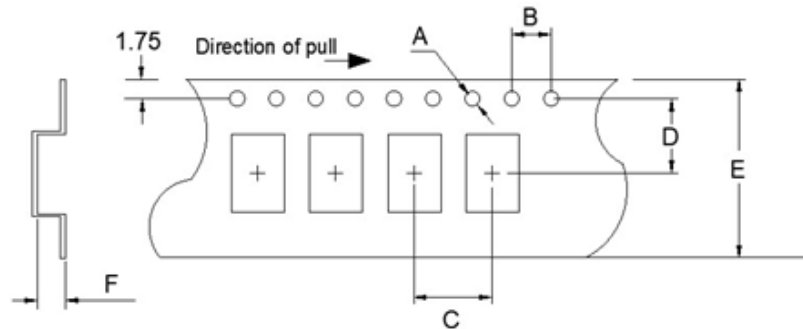
# X18M432000S049

Crystal Resonator  
3.2mm x 2.5mm



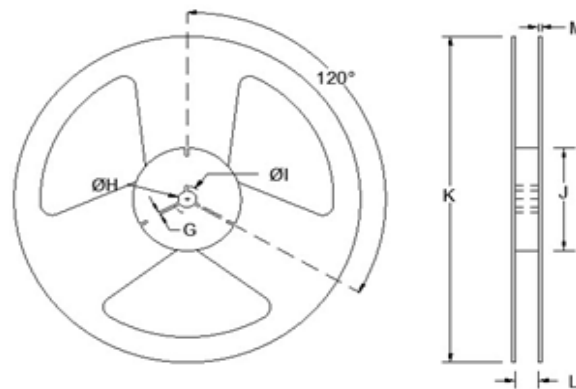
## TAPE SPECIFICATIONS (mm)

A	B	C	D	E	F	REEL QTY
∅ 1.5	4.0	4.0	3.5	8.0	0.85	3,000



## REEL SPECIFICATIONS (mm)

G	H	I	J	K	L	M
2.0	∅ 13	∅21	∅60.5	∅178	8.0	2.0



## RELIABILITY TEST CONDITIONS

Please contact Abracon Quality Assurance department